



US00D734441S

(12) **United States Design Patent**
O'Neal

(10) **Patent No.:** **US D734,441 S**
(45) **Date of Patent:** **** Jul. 14, 2015**

- (54) **MULTIPLE USE DEVICE**
- (71) Applicant: **Anthony O'Neal**, Waycross, GA (US)
- (72) Inventor: **Anthony O'Neal**, Waycross, GA (US)
- (**) Term: **14 Years**
- (21) Appl. No.: **29/491,406**
- (22) Filed: **May 21, 2014**
- (51) **LOC (10) Cl.** **23-02**
- (52) **U.S. Cl.**
USPC **D23/299**
- (58) **Field of Classification Search**
USPC D23/274, 299, 295, 303, 309, 311;
D6/335, 368
CPC A47K 11/04; E03D 11/025
See application file for complete search history.

- D571,111 S * 6/2008 Louis-Jean D6/335
- 7,648,196 B2 1/2010 Degelman et al.
- 7,681,941 B2 3/2010 Freeman et al.
- D677,482 S * 3/2013 Spann D6/368
- 8,955,173 B2 * 2/2015 Cheung 4/483

* cited by examiner

Primary Examiner — Robert Delehanty

(74) *Attorney, Agent, or Firm* — Jonathan R. Smith;
Jonathan Rigdon Smith, J.P., PC

(57) **CLAIM**

The ornamental design for the multiple use device, as shown and described.

DESCRIPTION

FIG. 1 is a front isometric elevational view of the multiple use device with the cover in the front and a depiction of the seat raised and showing the hole for the toilet function showing my new design;

FIG. 2 is a front isometric elevational view of the device without the cover in the front thereof;

FIG. 3 is a isometric elevational view of the device folded showing the top surface thereof;

FIG. 4 is an isometric elevational view of the device folded showing the bottom surface thereof; and,

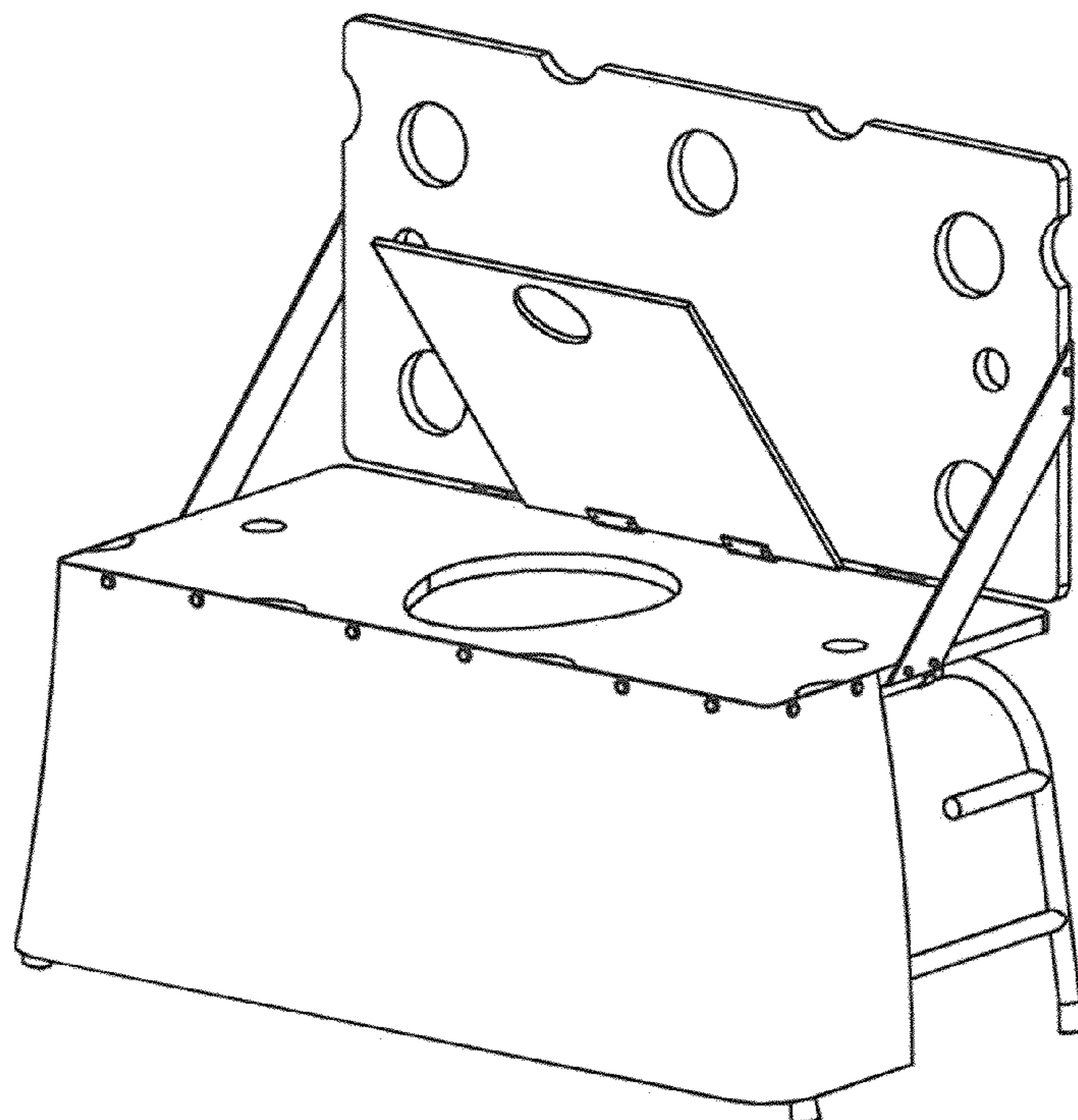
FIG. 5 is an isometric elevational view of the device as depicted in FIG. 4 with an umbrella attached to the device thereof.

(56) **References Cited**

U.S. PATENT DOCUMENTS

- 4,086,931 A 5/1978 Hall
- 5,622,198 A 4/1997 Elsinger
- D470,230 S * 2/2003 Jones D23/299
- 6,592,187 B2 7/2003 Calvery
- 6,941,591 B2 * 9/2005 Battiston et al. 4/483
- D531,825 S * 11/2006 Jenkins et al. D6/335
- D536,076 S * 1/2007 Delaney et al. D23/299
- 7,200,878 B2 * 4/2007 Payne 4/478
- 7,260,855 B2 * 8/2007 Aycock 4/484

1 Claim, 5 Drawing Sheets



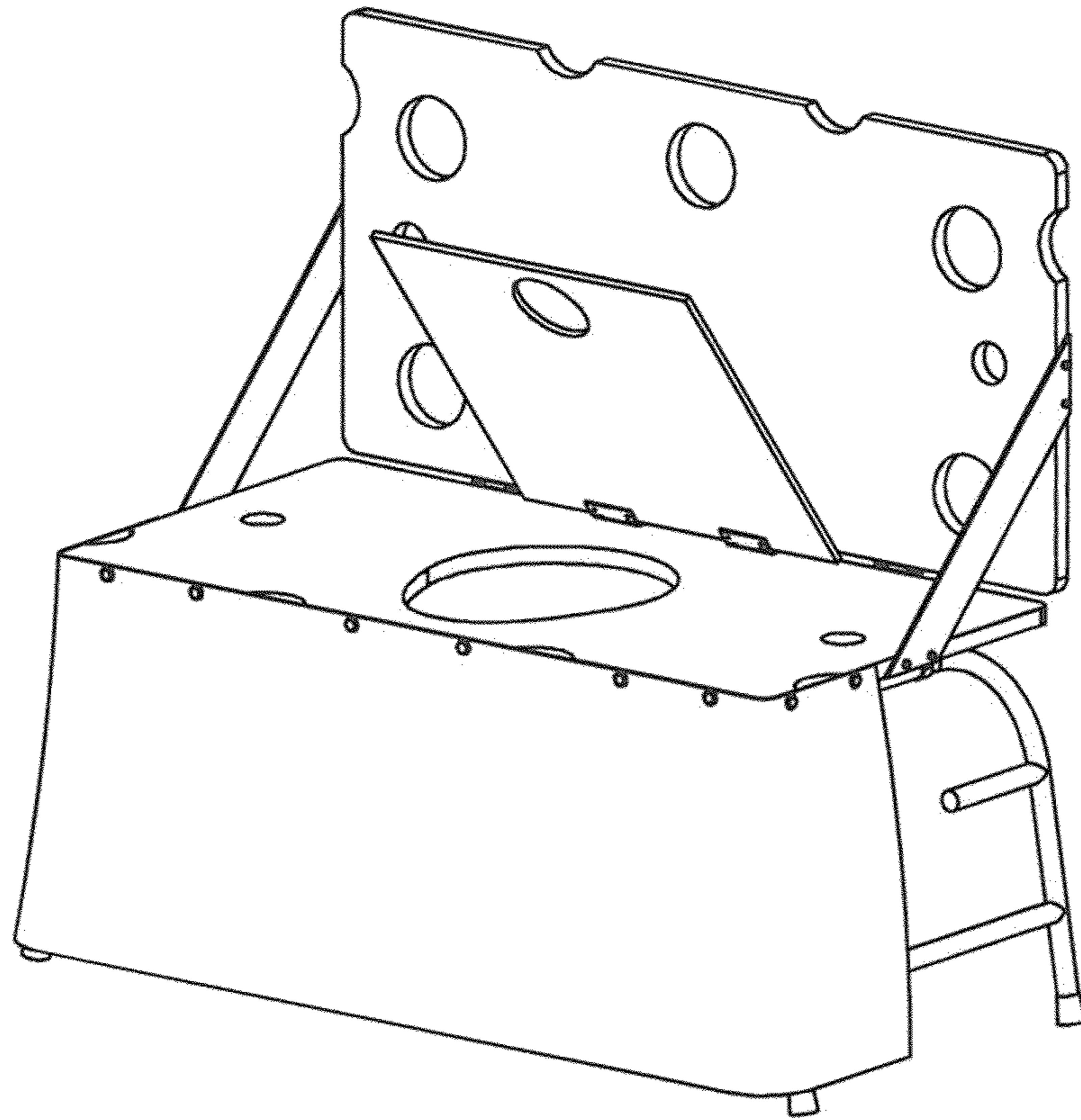


Figure 1

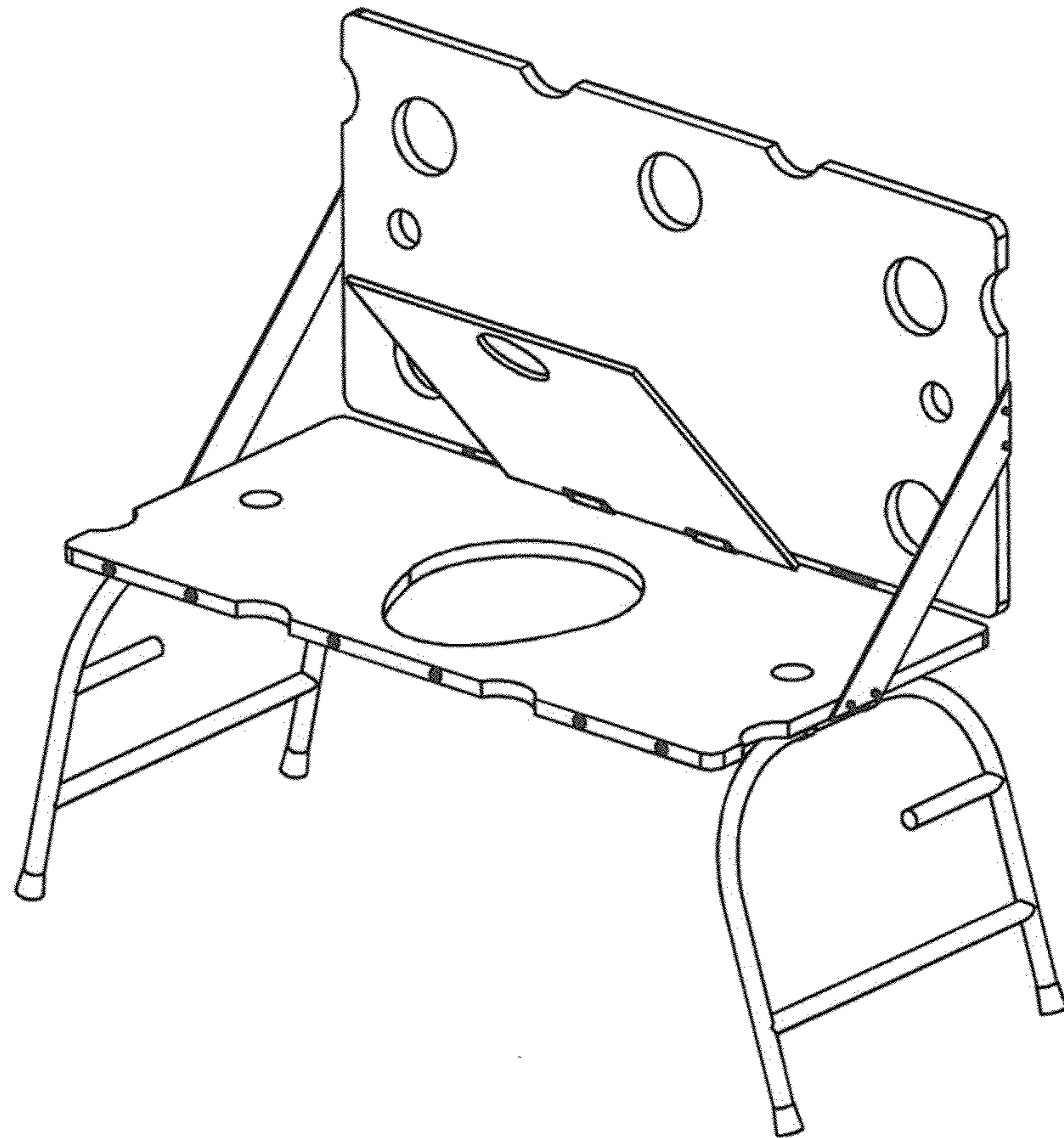


Figure 2

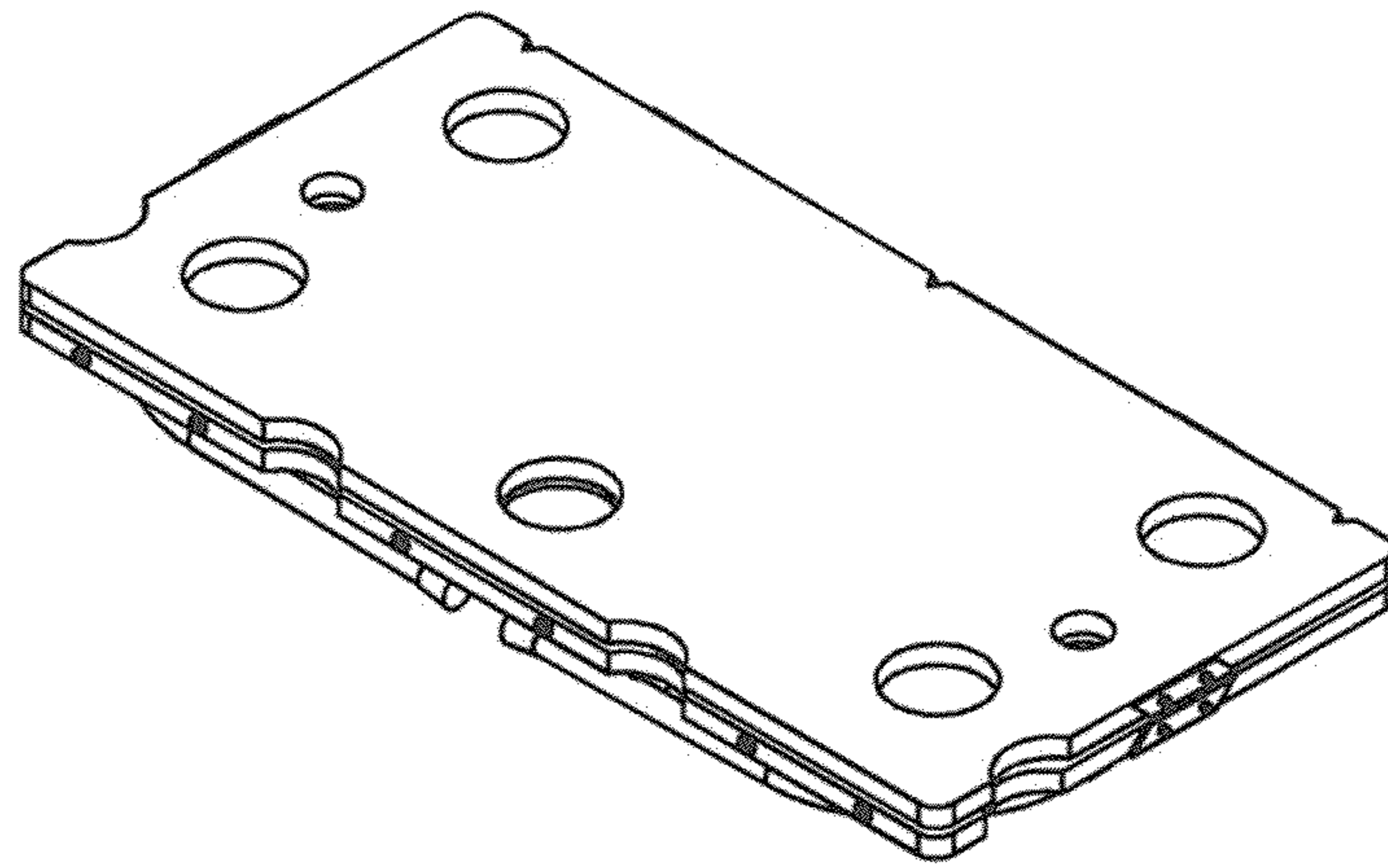


Figure 3

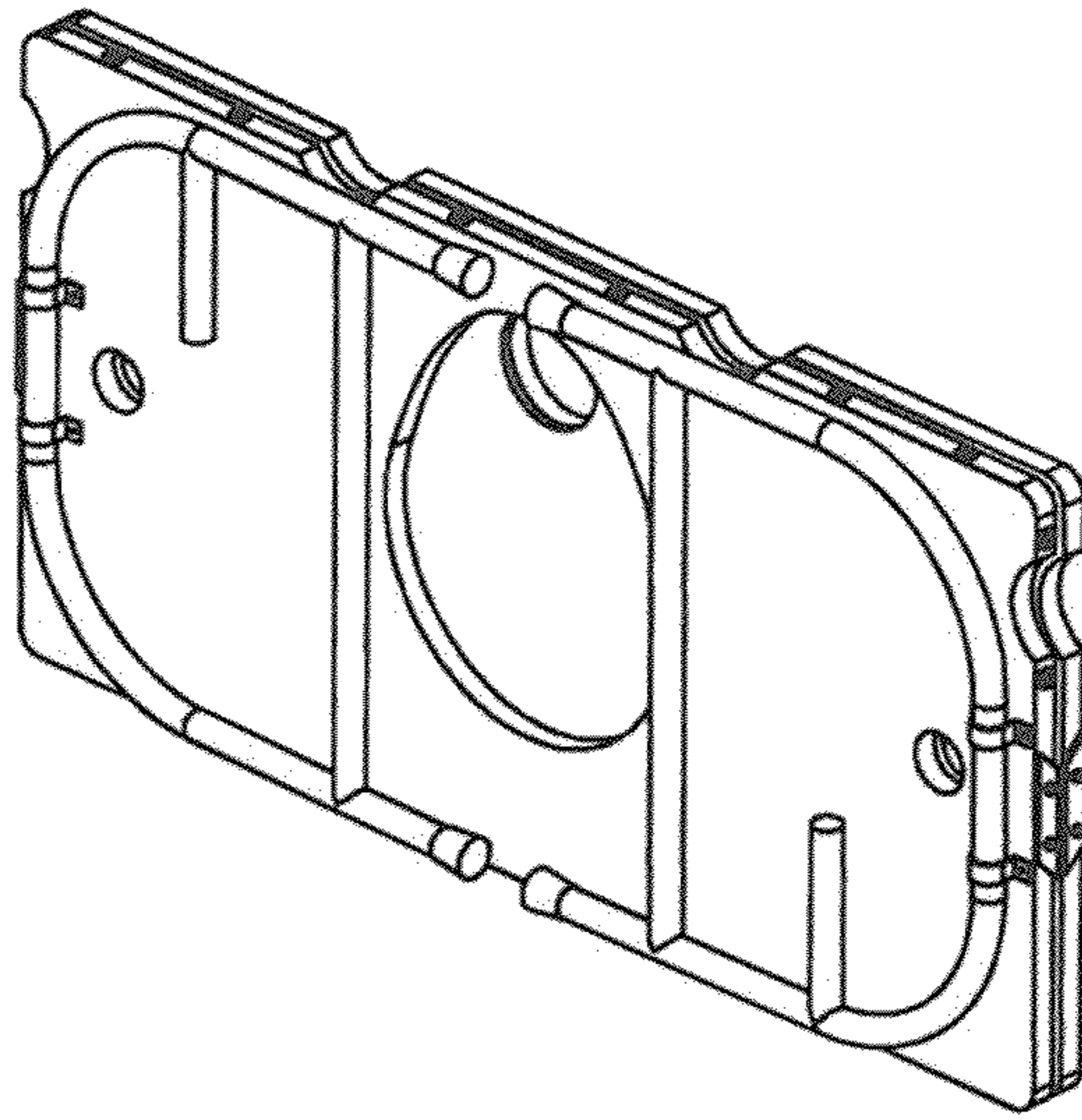


Figure 4

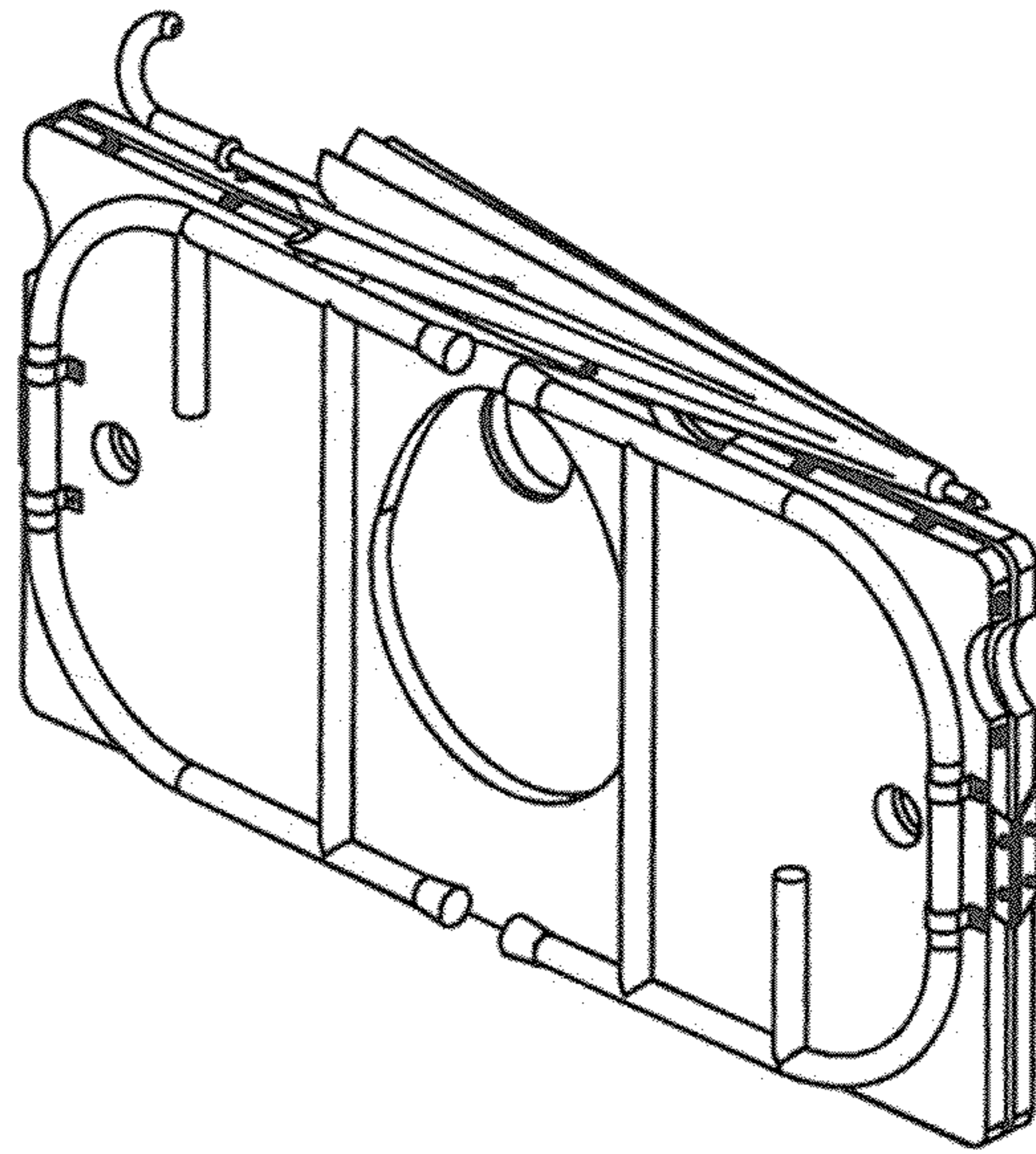


Figure 5