



US00D734440S

(12) **United States Design Patent**  
**Sethapun et al.**

(10) **Patent No.:** **US D734,440 S**  
(45) **Date of Patent:** **\*\* Jul. 14, 2015**

(54) **AIRCRAFT LAVATORY**

(56) **References Cited**

(71) Applicant: **Gulfstream Aerospace Corporation,**  
Savannah, GA (US)

U.S. PATENT DOCUMENTS

(72) Inventors: **Kevin Sethapun,** Savannah, GA (US);  
**Andrew Fulford,** Northville, MI (US);  
**Aram Kasparian,** Savannah, GA (US)

5,150,863	A *	9/1992	Hozumi	.....	D12/345
D352,096	S *	11/1994	Tagg	.....	D23/274
6,643,865	B2 *	11/2003	Bork et al.	.....	4/664
D593,645	S *	6/2009	Bock et al.	.....	D23/271
D593,647	S *	6/2009	Bock et al.	.....	D23/271
D705,907	S *	5/2014	Koyama et al.	.....	D23/274
D706,949	S *	6/2014	Haluska	.....	D24/234

(73) Assignee: **Gulfstream Aerospace Corporation,**  
Savannah, GA (US)

\* cited by examiner

(\*\*) Term: **14 Years**

*Primary Examiner* — Robert Delehanty

(21) Appl. No.: **29/506,222**

(74) *Attorney, Agent, or Firm* — Ingrassia, Fisher & Lorenz,  
P.C.

(22) Filed: **Oct. 14, 2014**

(57) **CLAIM**

The ornamental design for an aircraft lavatory, as shown and described.

(51) **LOC (10) Cl.** ..... **23-02**

**DESCRIPTION**

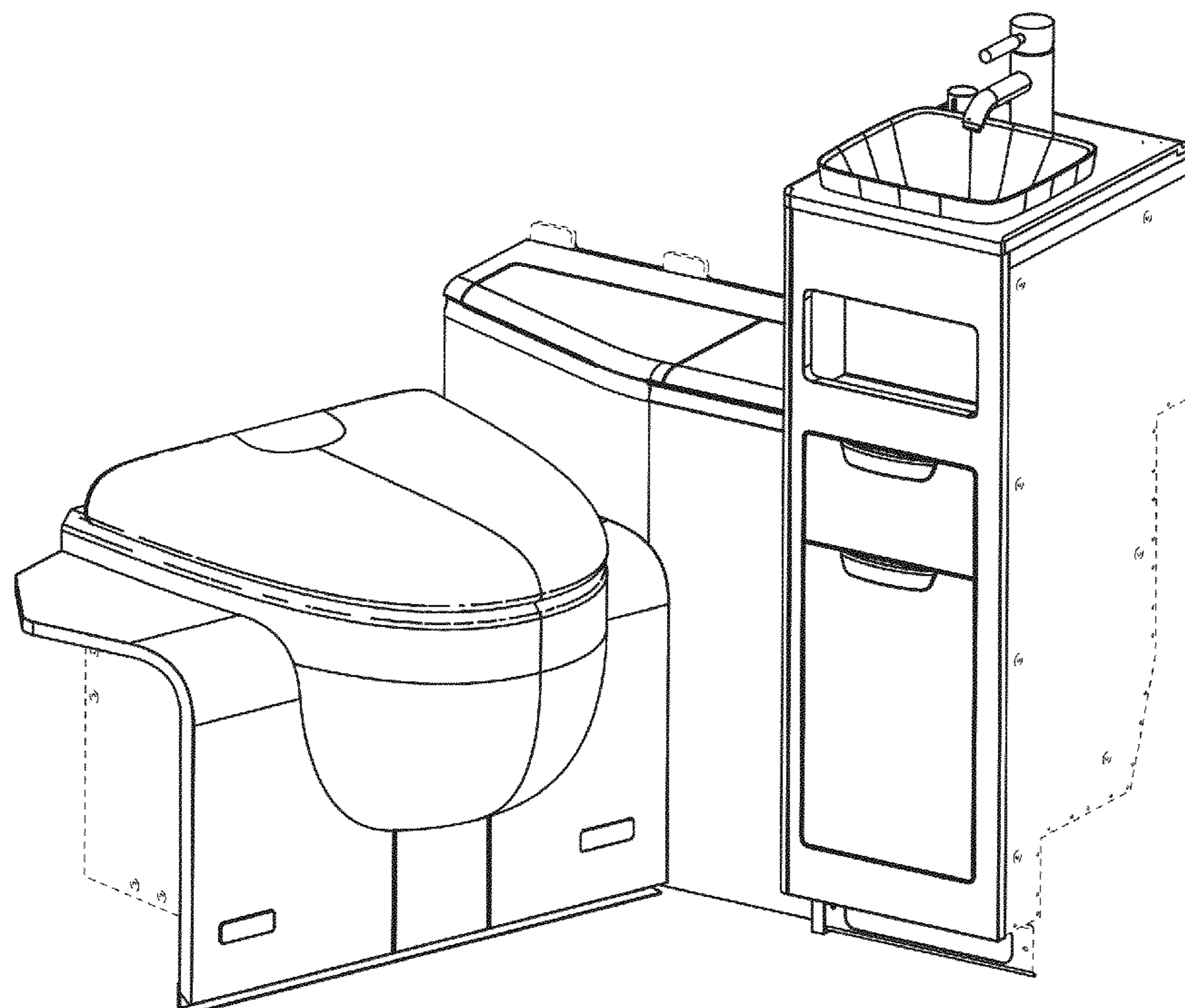
(52) **U.S. Cl.**  
USPC ..... **D23/274**

(58) **Field of Classification Search**  
USPC ..... D23/270–271, 273–274, 284, 286,  
D23/293.1, 295, 299, 300, 303, 308–309;  
D6/642, 655, 655.1, 633, 671, 671.3;  
D12/345, 40, 43; 244/119–120, 117 R;  
4/630, 638; 312/227–228; D24/177,  
D24/234; D34/8

FIG. 1 is a front perspective view of an aircraft lavatory showing our new design;  
FIG. 2 is a top view thereof, the bottom view forming no part of the claimed design;  
FIG. 3 is a first side view thereof;  
FIG. 4 is a second side view thereof; and,  
FIG. 5 is a front view thereof, the back view forming no part of the claimed design.  
The broken lines illustrate structure and environment that form no part of the claimed design.

See application file for complete search history.

**1 Claim, 5 Drawing Sheets**



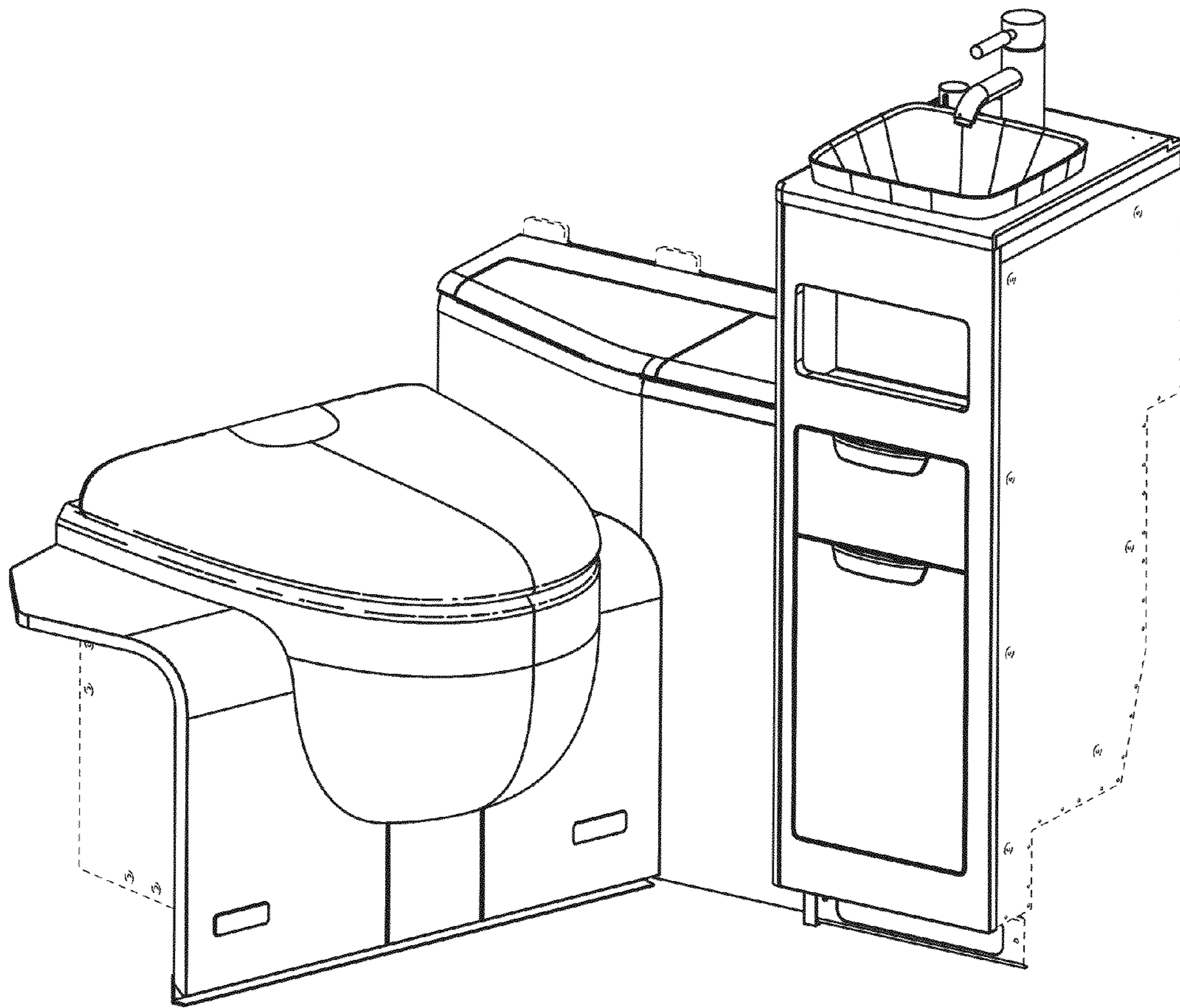


FIG. 1

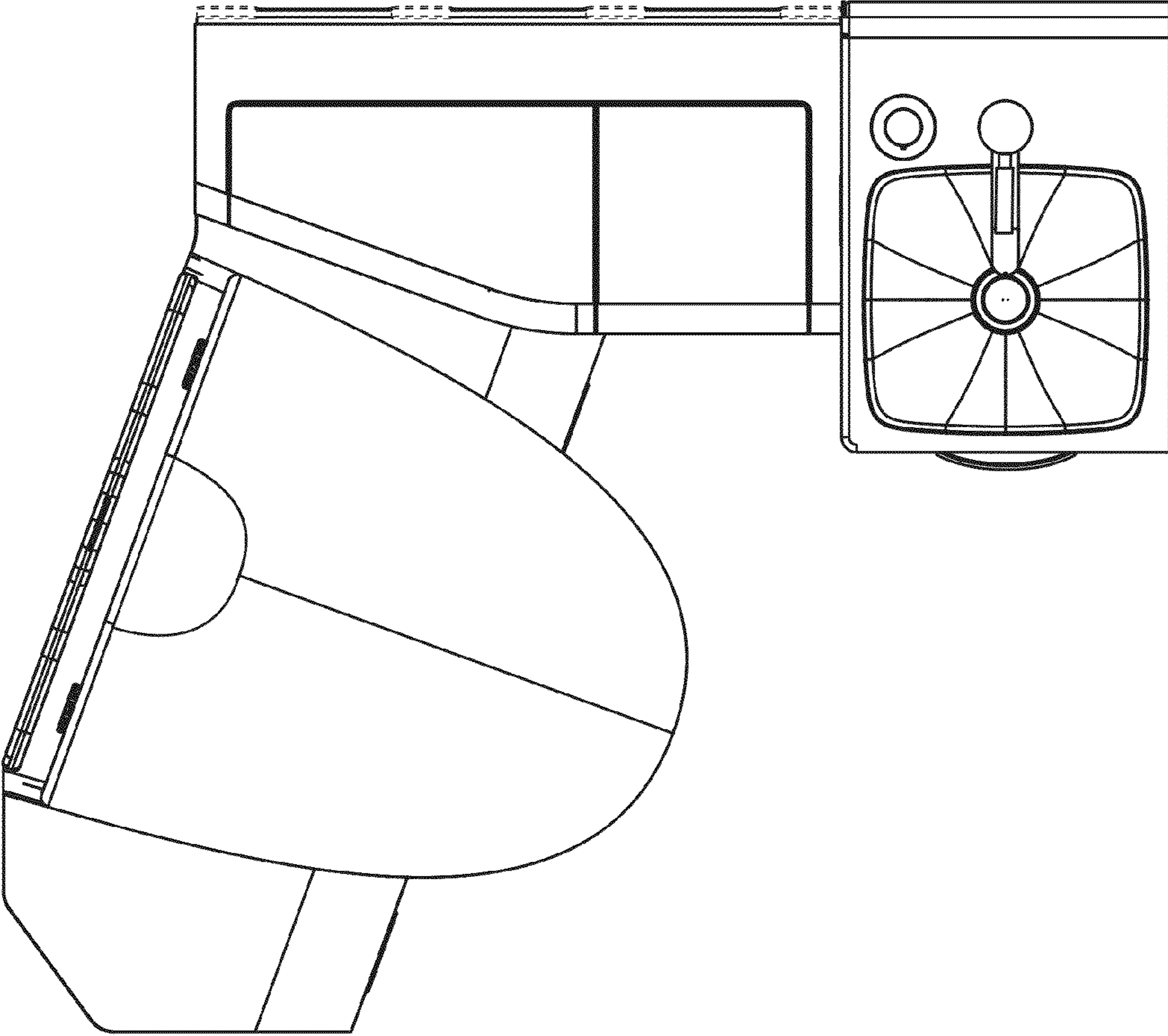


FIG. 2

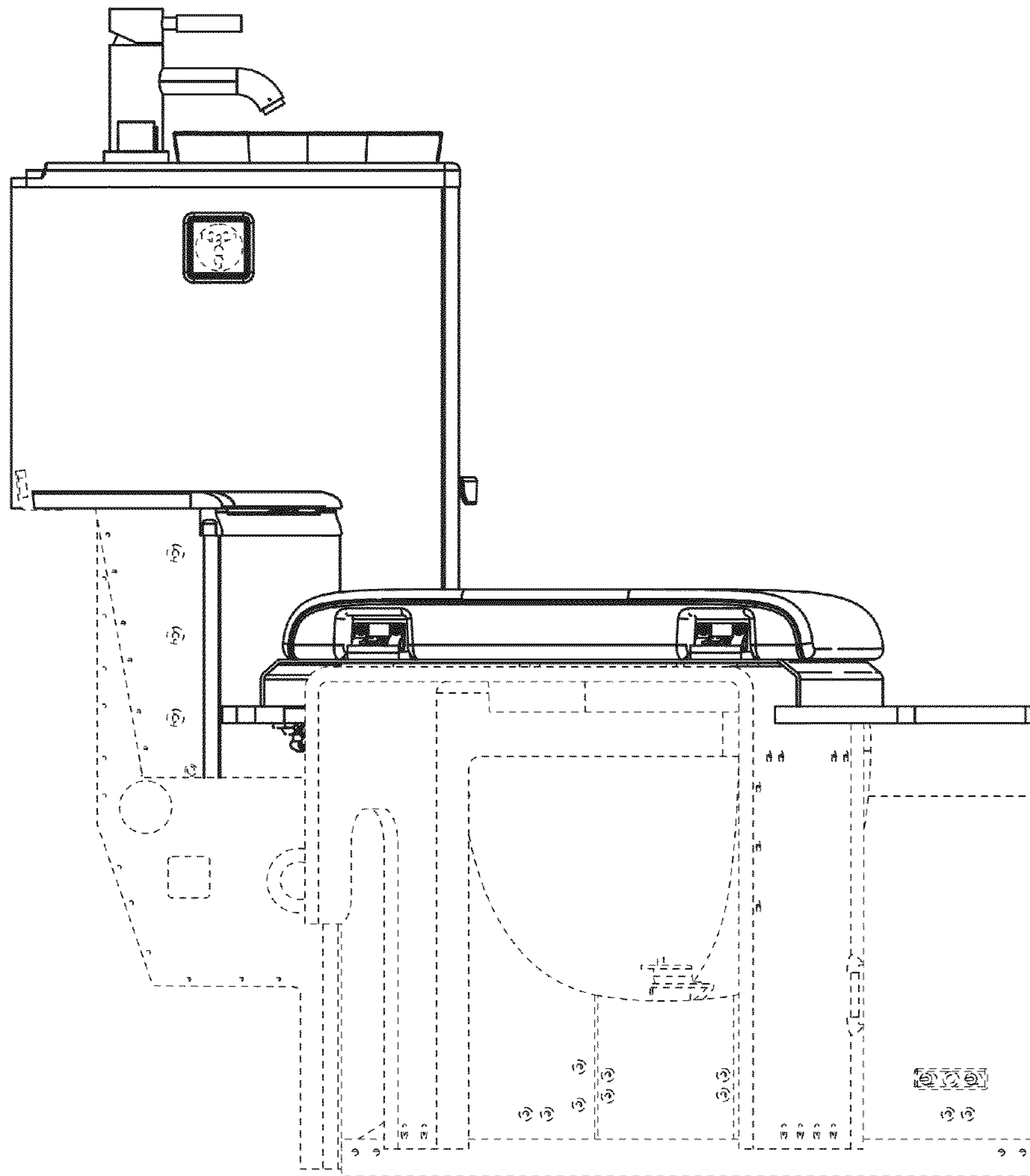


FIG. 3

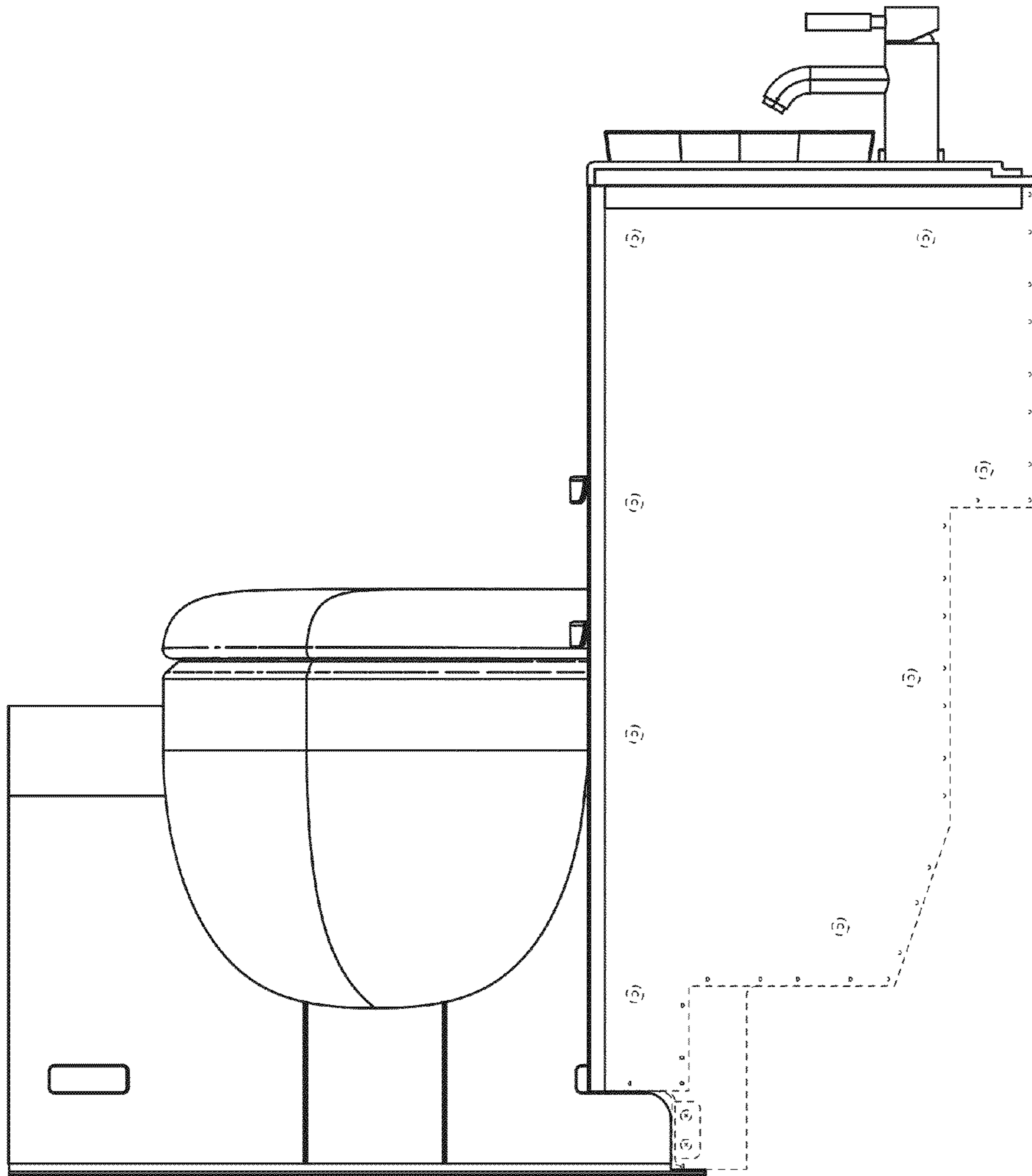


FIG. 4

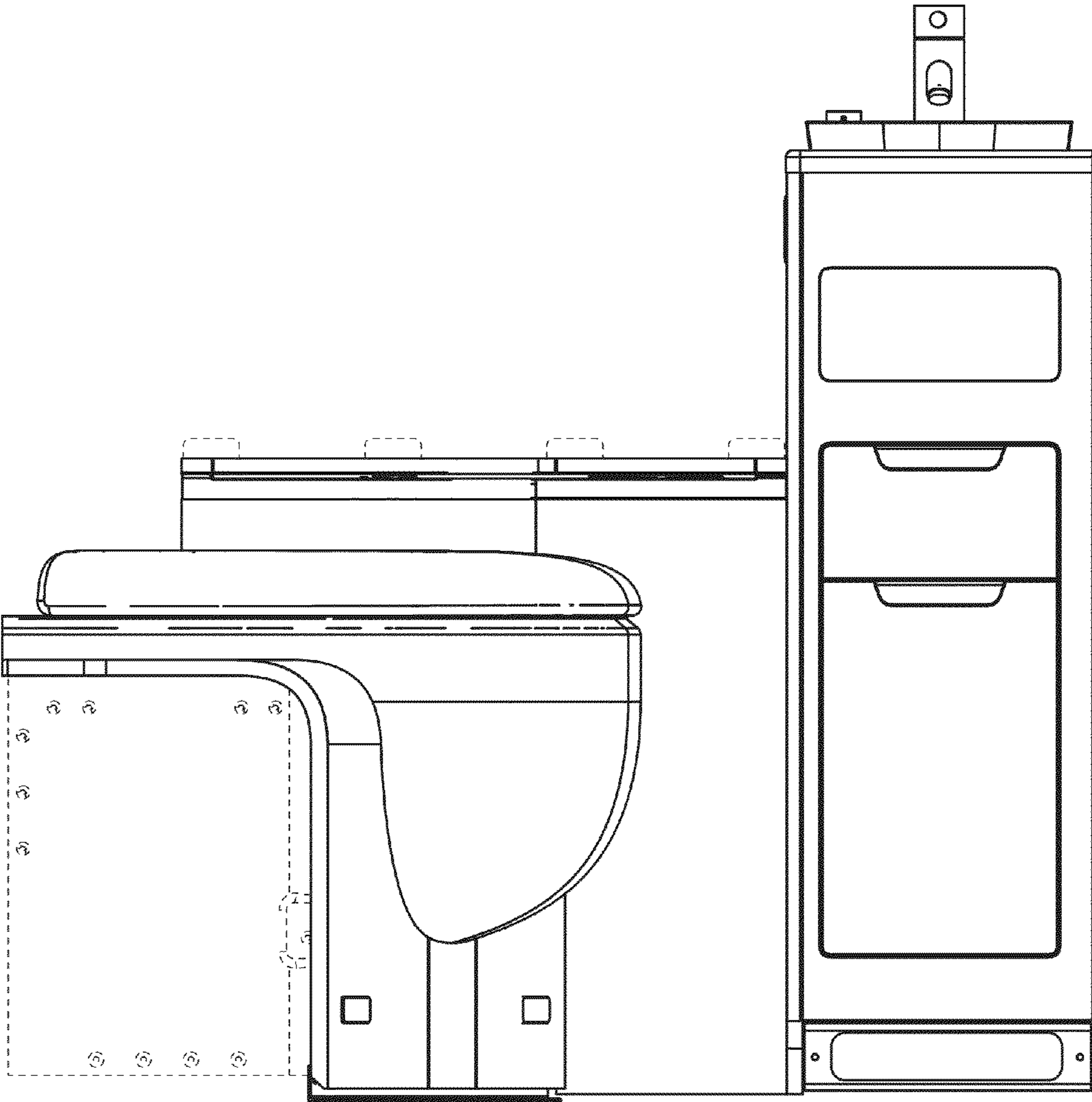


FIG. 5