



US00D734438S

(12) **United States Design Patent**
Sethapun et al.

(10) **Patent No.:** **US D734,438 S**

(45) **Date of Patent:** **** Jul. 14, 2015**

(54) **PORTION OF A GALLEY FOR AIRCRAFT**

(56)

References Cited

(71) Applicant: **Gulfstream Aerospace Corporation,**
Savannah, GA (US)

(72) Inventors: **Kevin Sethapun,** Savannah, GA (US);
Andrew Fulford, Northville, MI (US);
Aram Kasparian, Savannah, GA (US)

(73) Assignee: **Gulfstream Aerospace Corporation,**
Savannah, GA (US)

(**) Term: **14 Years**

(21) Appl. No.: **29/506,262**

(22) Filed: **Oct. 14, 2014**

(51) **LOC (10) Cl.** **23-02**

(52) **U.S. Cl.**
USPC **D23/271**

(58) **Field of Classification Search**
USPC D23/270–271, 274, 286, 303, 308, 284;
D6/641–642, 648, 698, 657, 655, 633,
D6/664.1, 674, 671.3; D12/345, 40, 43;
244/119–120, 117 R; 312/228, 224,
312/227; 4/630, 638

See application file for complete search history.

U.S. PATENT DOCUMENTS

D282,575 S *	2/1986	Case et al.	D23/286
D287,748 S *	1/1987	Landan et al.	D23/286
4,938,548 A *	7/1990	Richardson	312/233
D619,261 S *	7/2010	Hirayoshi	D23/286
D619,263 S *	7/2010	Hirayoshi	D23/286
D673,251 S *	12/2012	Carver et al.	D23/274
D711,305 S *	8/2014	Pirie et al.	D12/345

* cited by examiner

Primary Examiner — Robert Delehanty

(74) *Attorney, Agent, or Firm* — Ingrassia, Fisher & Lorenz,
P.C.

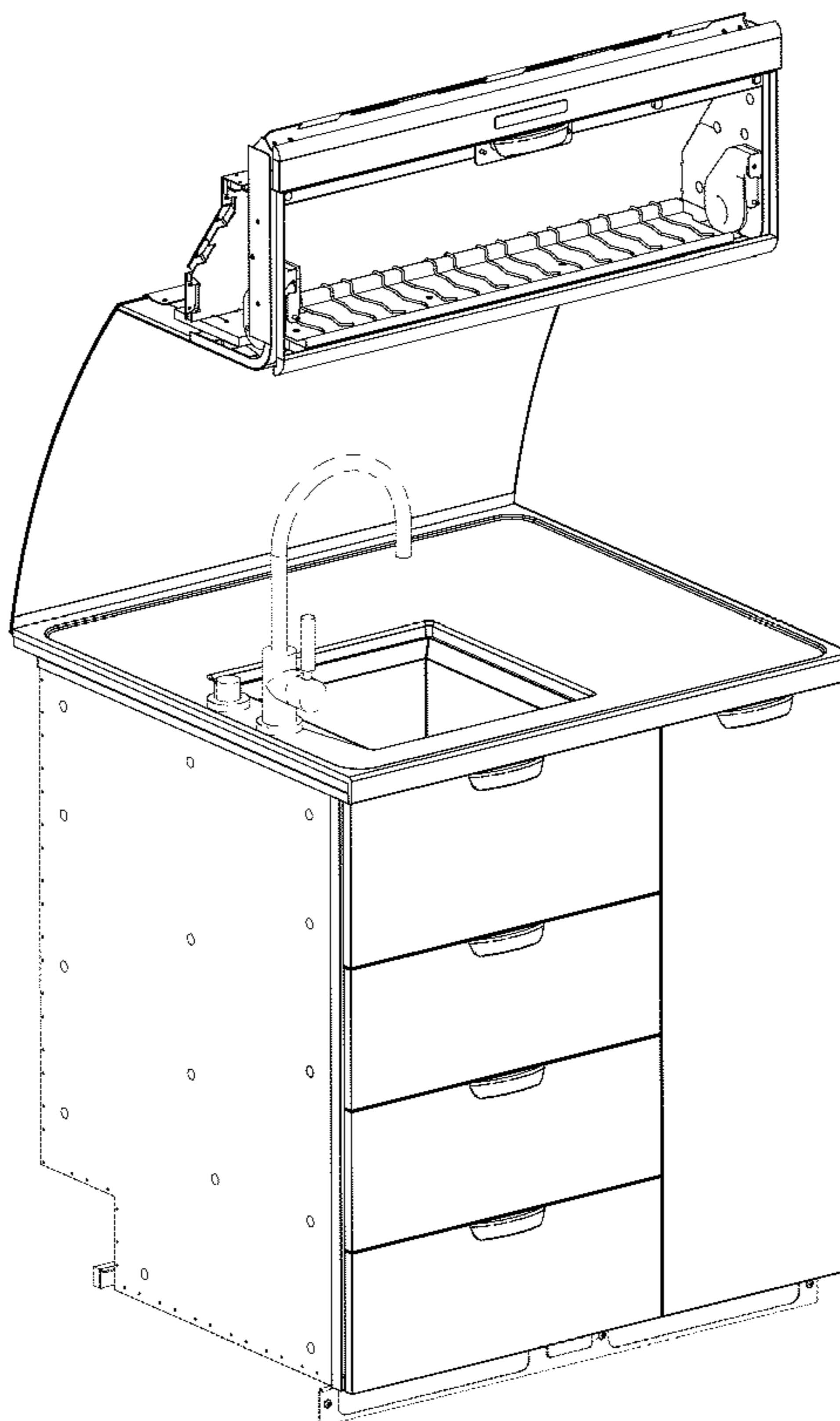
(57) **CLAIM**

The ornamental design for a portion of a galley for aircraft, as shown and described.

DESCRIPTION

FIG. 1 is a front perspective view of a portion of a galley for aircraft;
FIG. 2 is a front view thereof, the back view forming no part of the claimed design;
FIG. 3 is a first side view thereof;
FIG. 4 is a second side view thereof; and,
FIG. 5 is a top view thereof, the bottom view forming no part of the claimed design.
The broken lines illustrate structures that form no part of the claimed design.

1 Claim, 5 Drawing Sheets



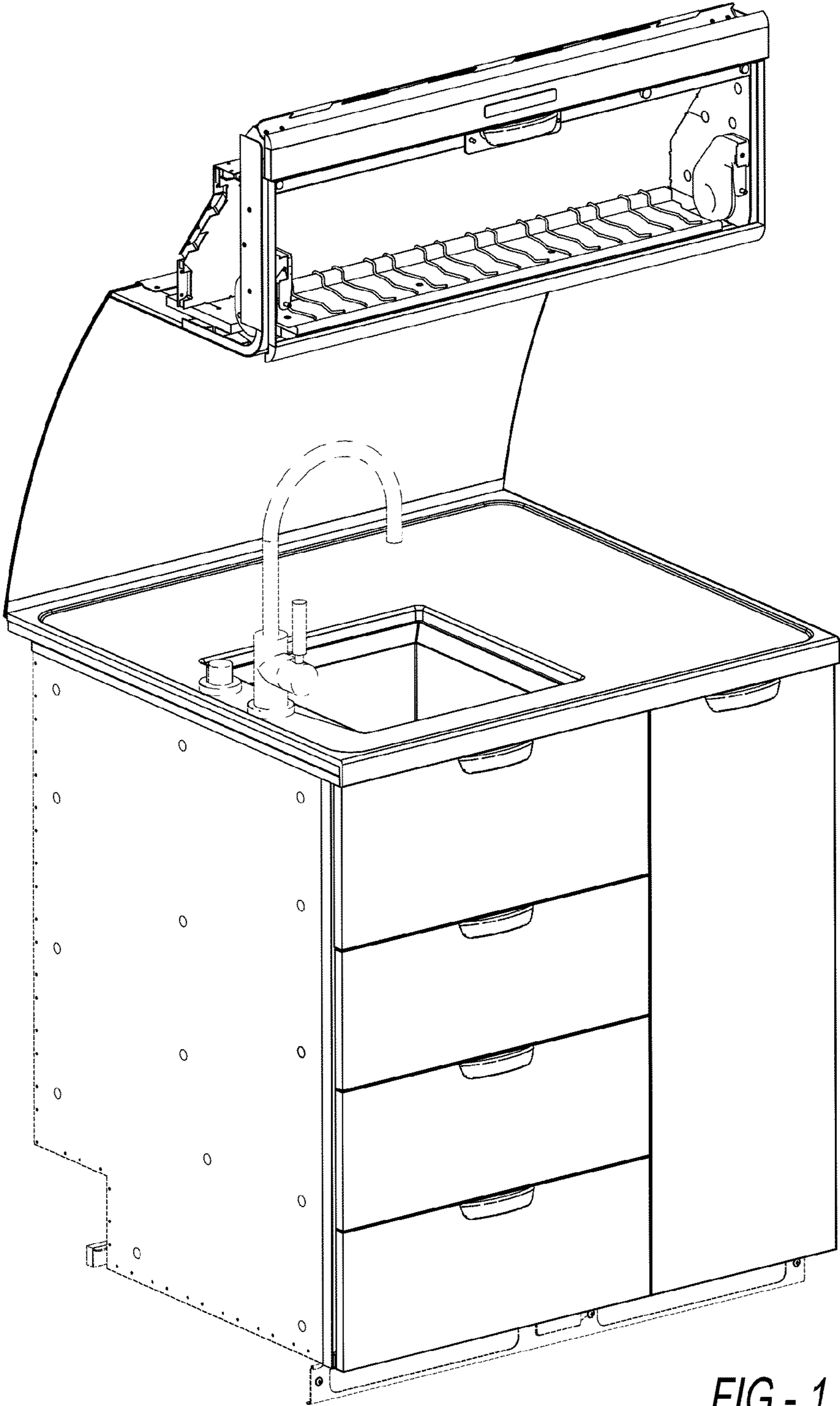


FIG - 1

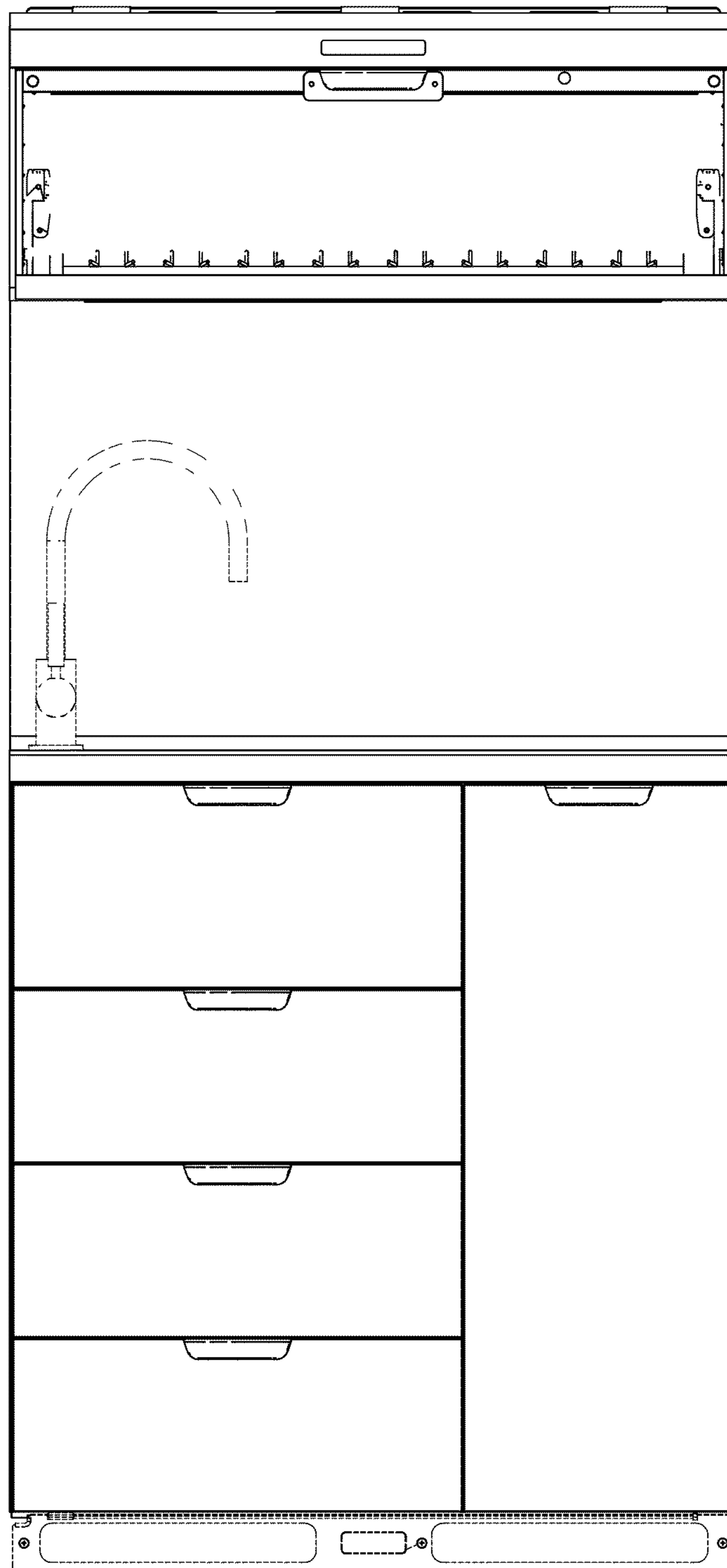


FIG - 2

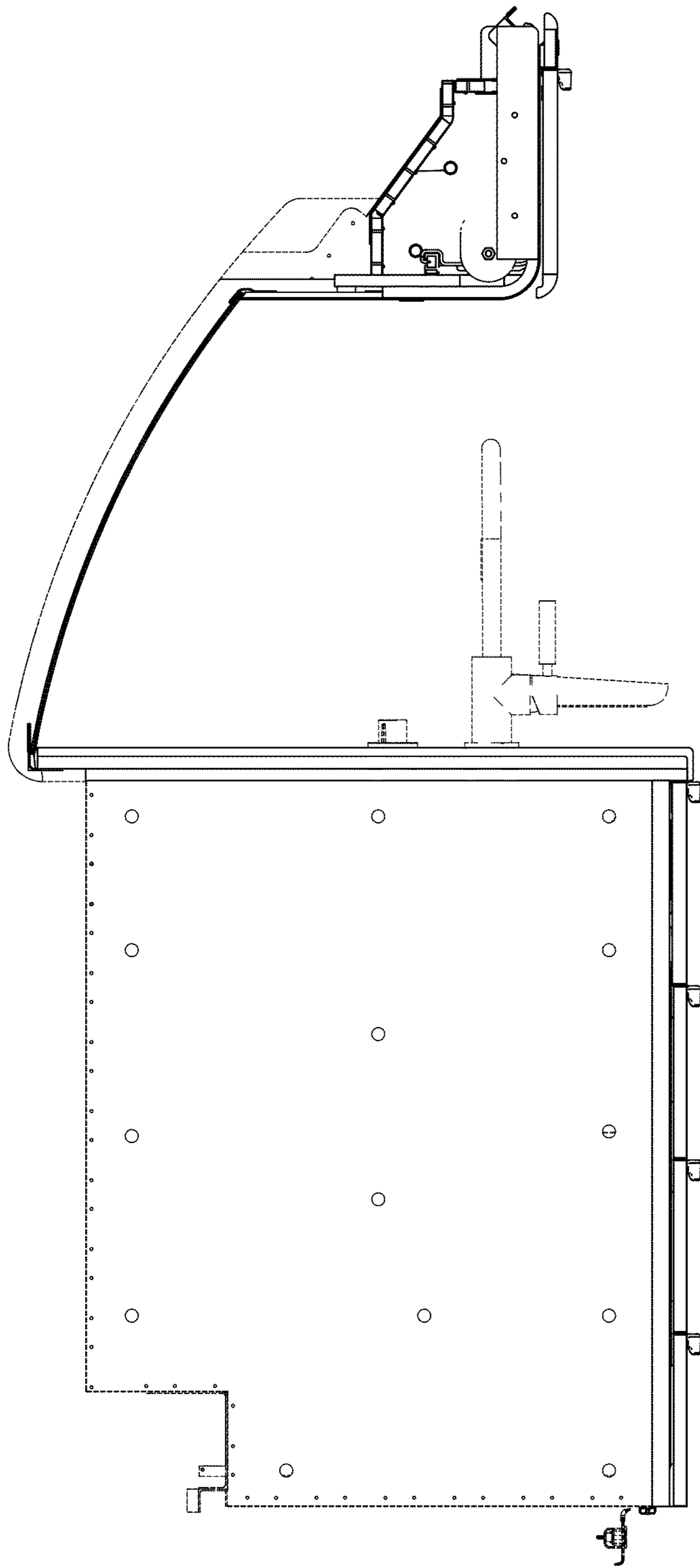


FIG - 3

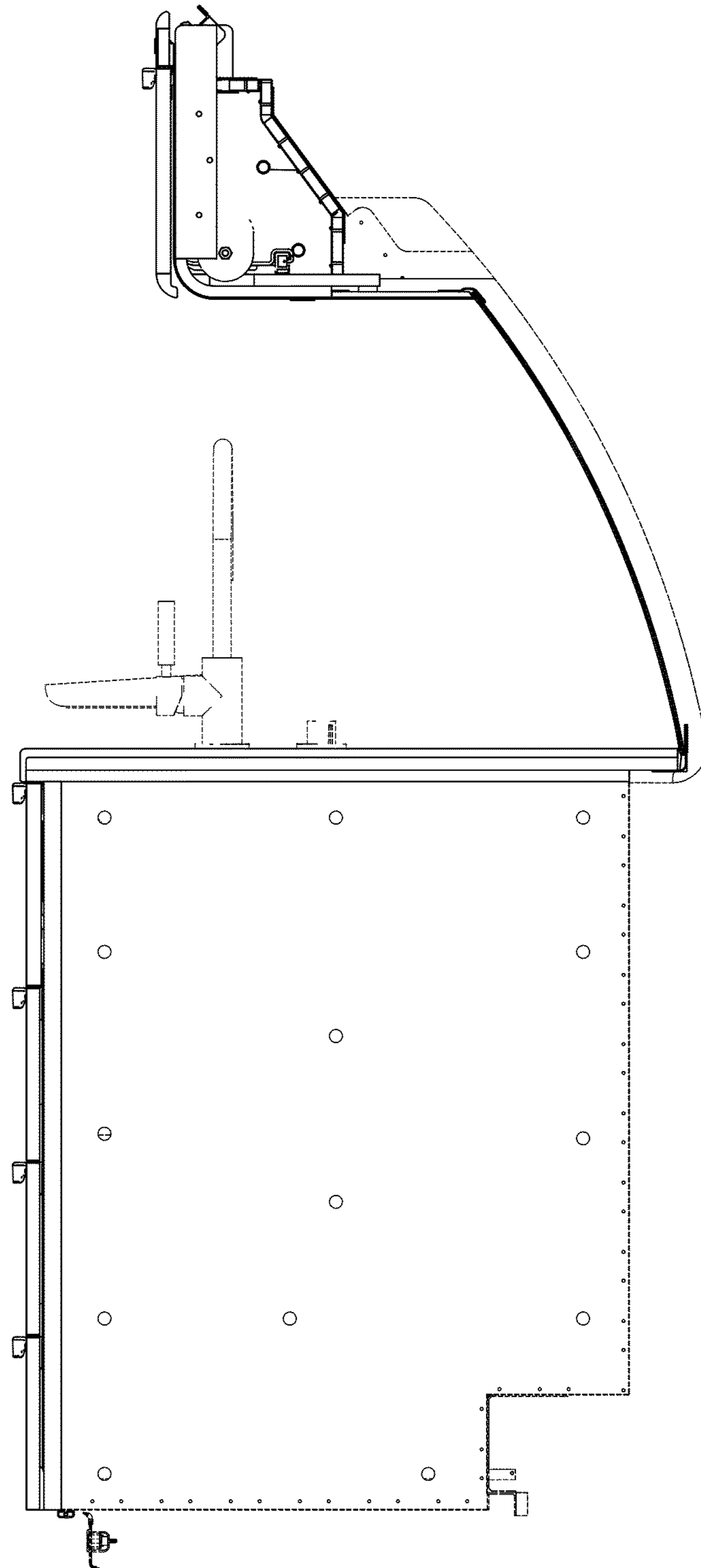


FIG - 4

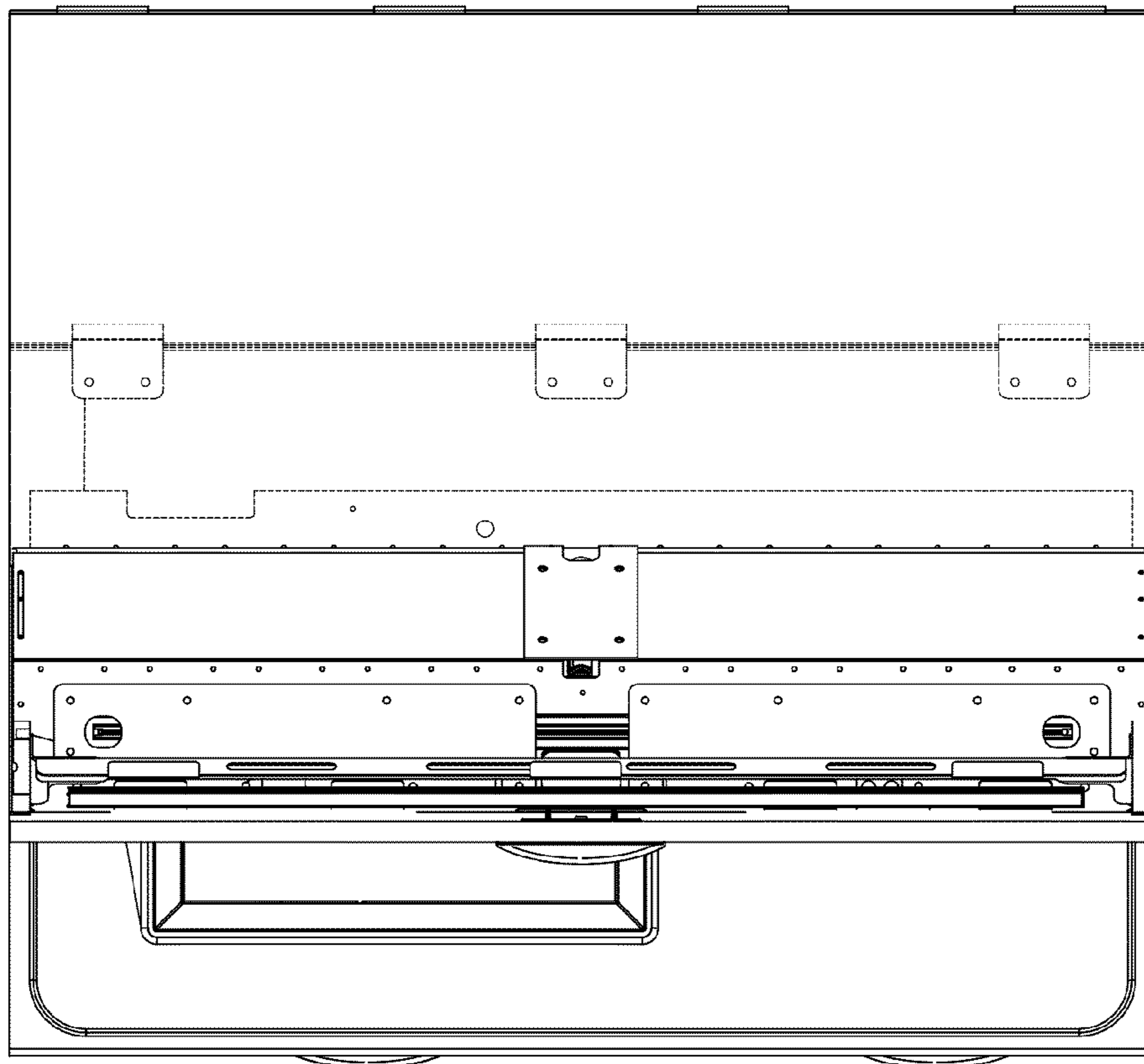


FIG - 5