



US00D734437S

(12) **United States Design Patent**  
**Sethapun et al.**

(10) **Patent No.:** **US D734,437 S**  
(45) **Date of Patent:** **\*\* Jul. 14, 2015**

(54) **GALLEY OF AN AIRCRAFT**

(56) **References Cited**

(71) Applicant: **Gulfstream Aerospace Corporation,**  
Savannah, GA (US)

U.S. PATENT DOCUMENTS

(72) Inventors: **Kevin Sethapun,** Savannah, GA (US);  
**Andrew Fulford,** Northville, MI (US);  
**Aram Kasparian,** Savannah, GA (US)

D282,575	S	*	2/1986	Case et al.	.....	D23/286
D287,748	S	*	1/1987	Landan et al.	.....	D23/286
4,938,548	A	*	7/1990	Richardson	.....	312/233
D619,263	S	*	7/2010	Hirayoshi	.....	D23/286
D673,251	S	*	12/2012	Carver et al.	.....	D23/274
D711,305	S	*	8/2014	Pirie et al.	.....	D12/345
2007/0228216	A1	*	10/2007	Wenstrom	.....	244/118.5

(73) Assignee: **Gulfstream Aerospace Corporation,**  
Savannah, GA (US)

\* cited by examiner

(\*\*) Term: **14 Years**

*Primary Examiner* — Robert Delehanty

(21) Appl. No.: **29/506,219**

(74) *Attorney, Agent, or Firm* — Ingrassia, Fisher & Lorenz,  
P.C.

(22) Filed: **Oct. 14, 2014**

(57) **CLAIM**

The ornamental design for a galley of an aircraft, as shown  
and described.

(51) **LOC (10) Cl.** ..... **23-02**

**DESCRIPTION**

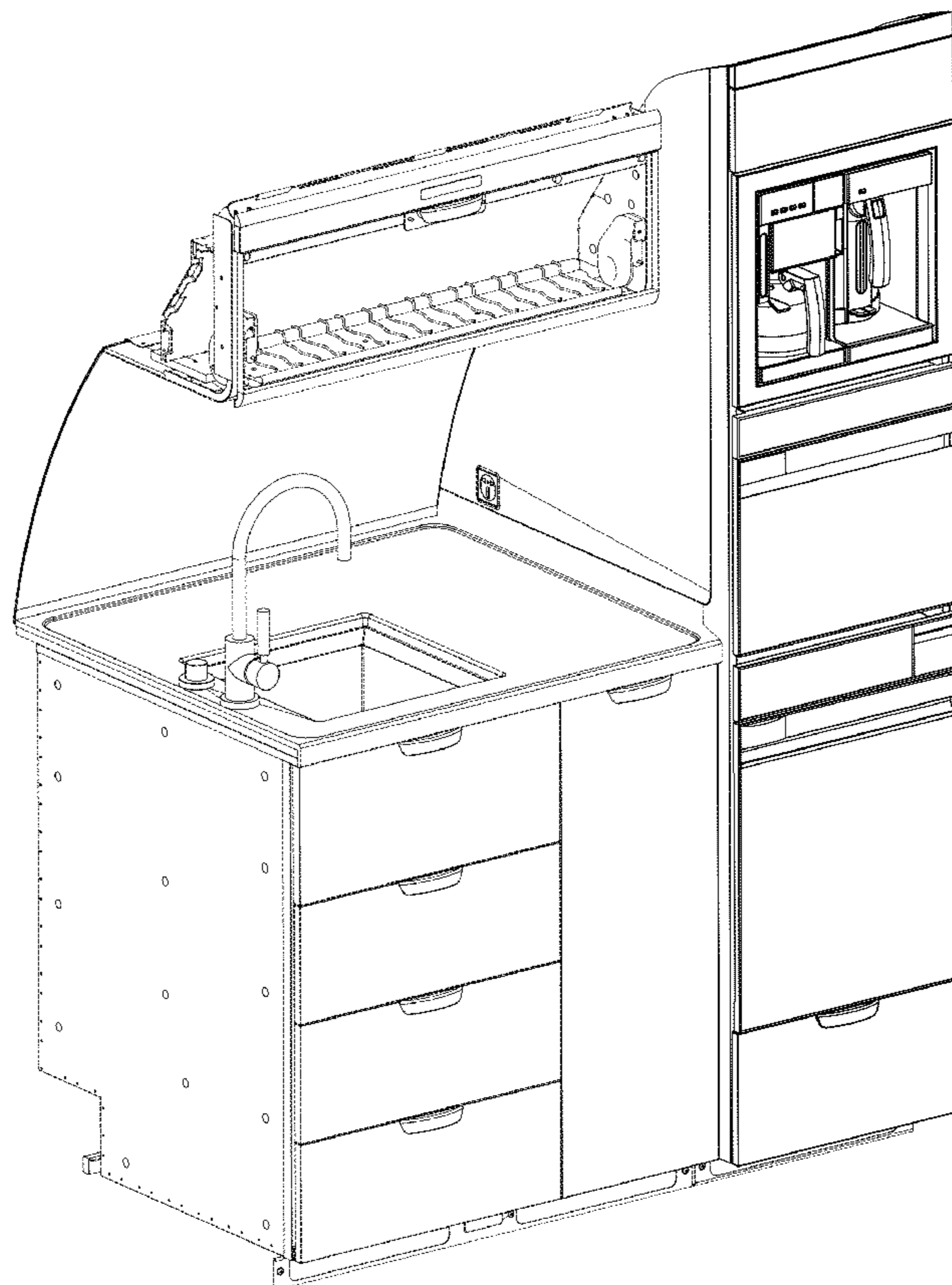
(52) **U.S. Cl.**  
USPC ..... **D23/271**

(58) **Field of Classification Search**  
USPC ..... D23/270–271, 274, 286, 303, 308, 284;  
D6/641–642, 648, 698, 657, 655, 633,  
D6/664.1, 674, 671.3; D12/345, 40, 43;  
244/119–120, 117 R; D24/177, 234;  
312/228, 224, 227; 4/630, 638

FIG. 1 is a front perspective view of a galley of an aircraft  
showing our new design;  
FIG. 2 is a front view thereof, the back view forming no part  
of the claimed design;  
FIG. 3 is a first side view thereof;  
FIG. 4 is a second side view thereof;  
FIG. 5 is a top view thereof; and,  
FIG. 6 is a bottom view thereof.  
The broken lines illustrate structure and environment that  
form no part of the claimed design.

See application file for complete search history.

**1 Claim, 6 Drawing Sheets**



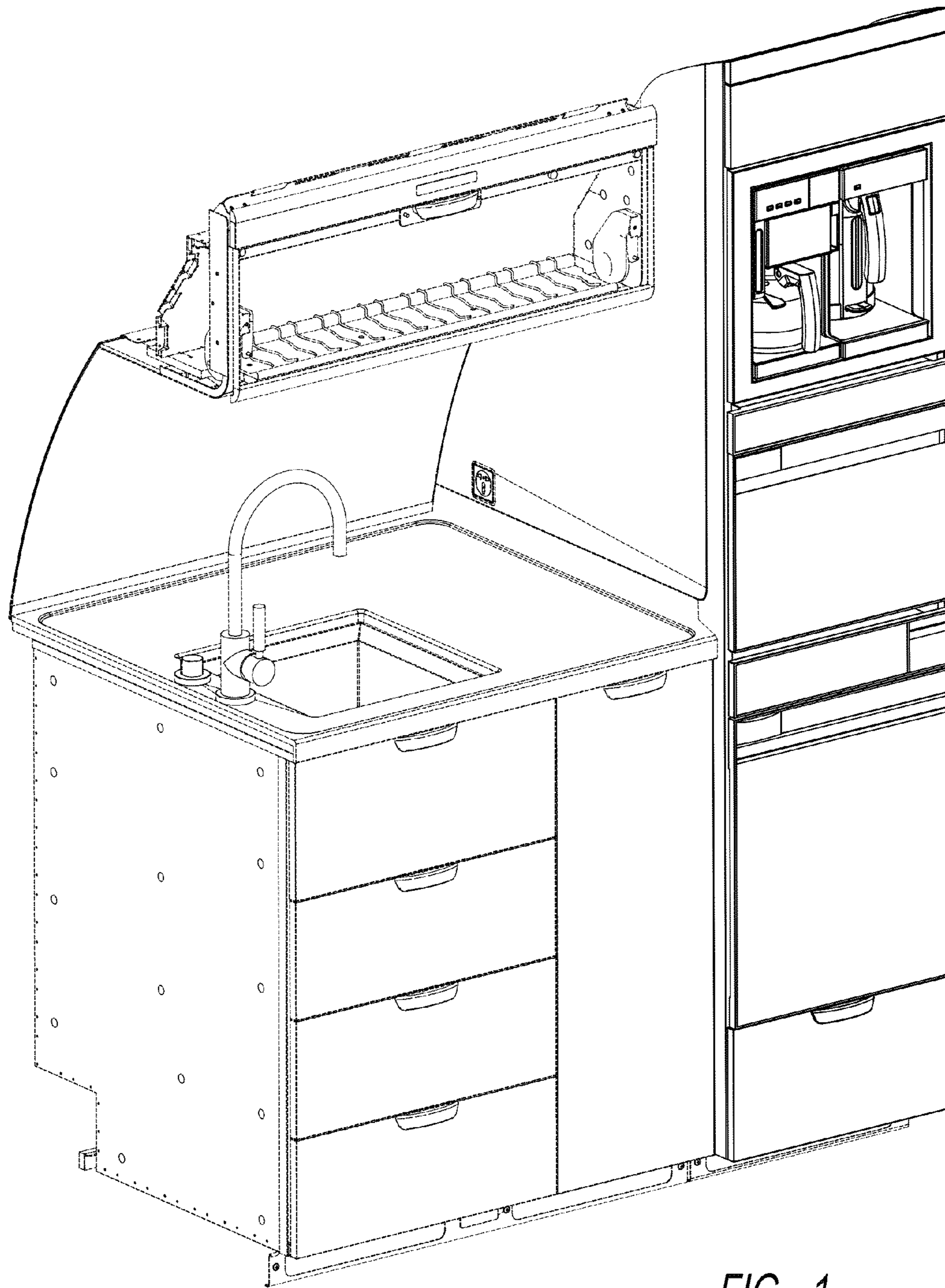


FIG - 1

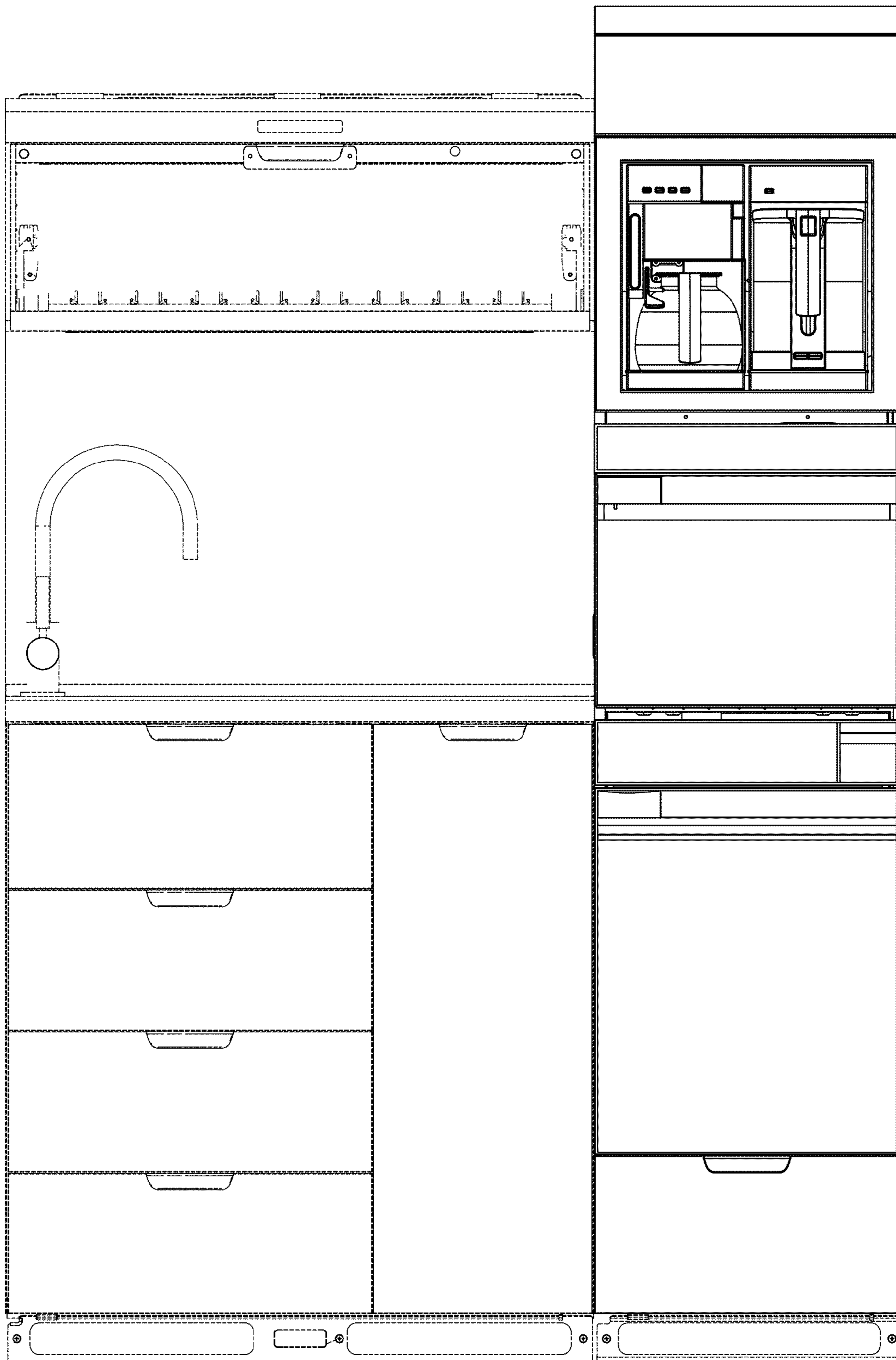
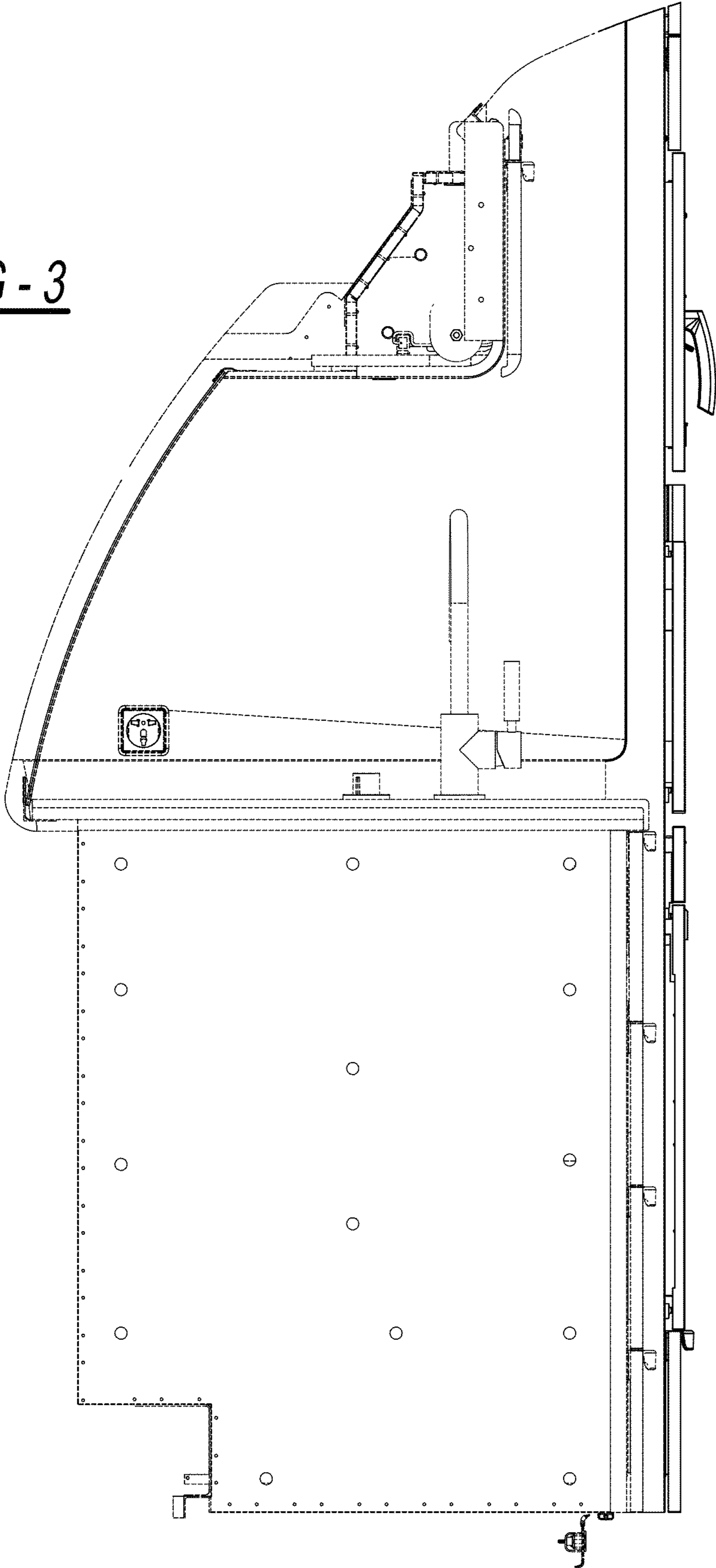


FIG - 2

FIG - 3



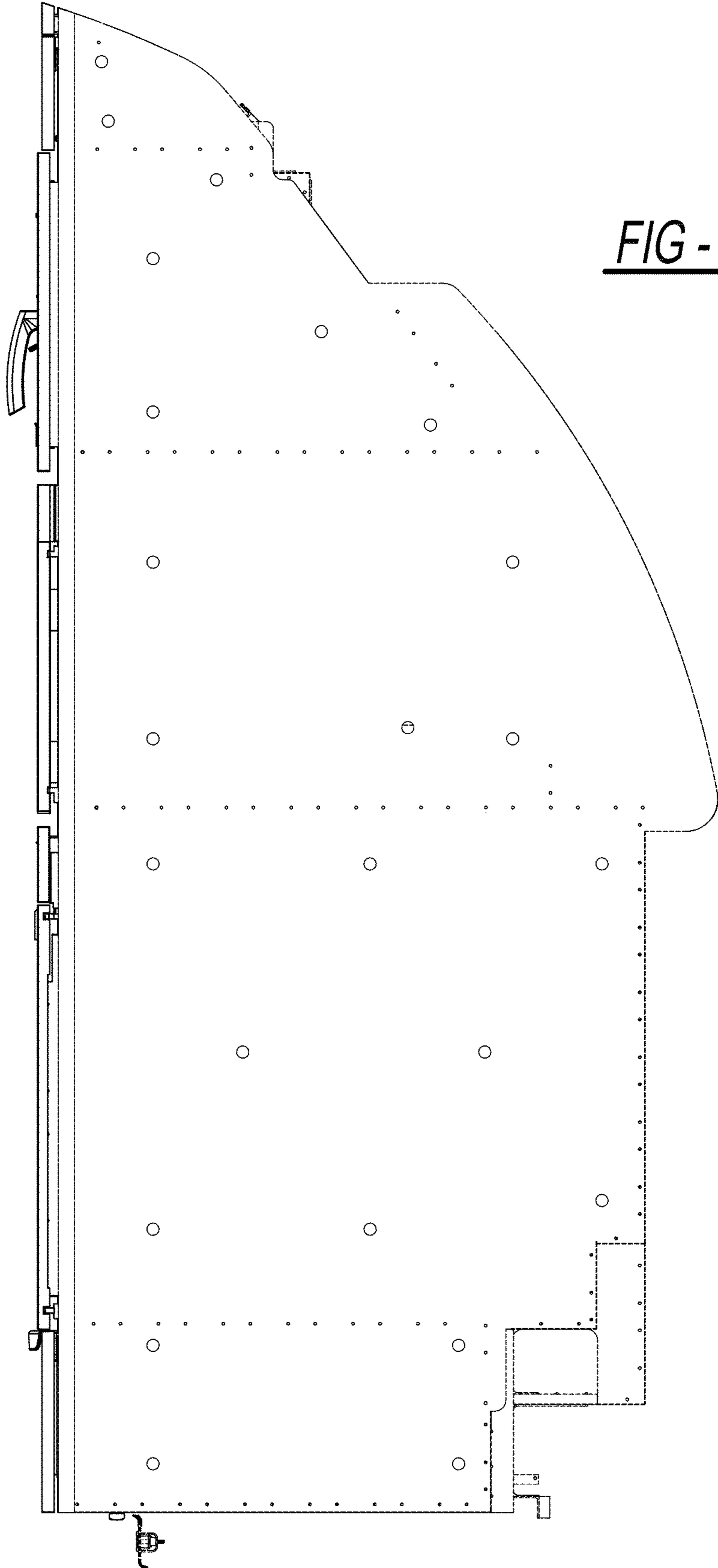


FIG - 4

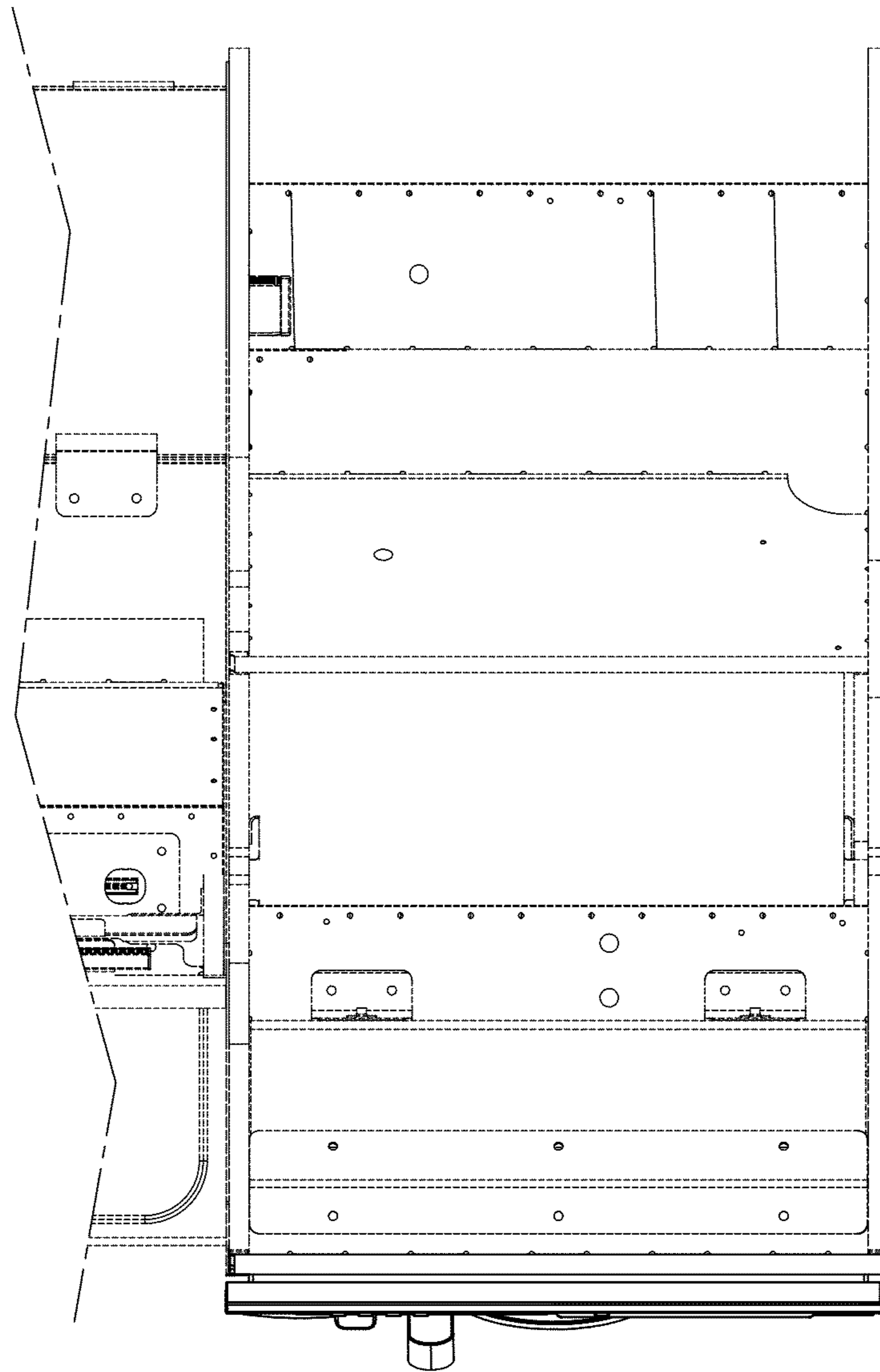


FIG - 5

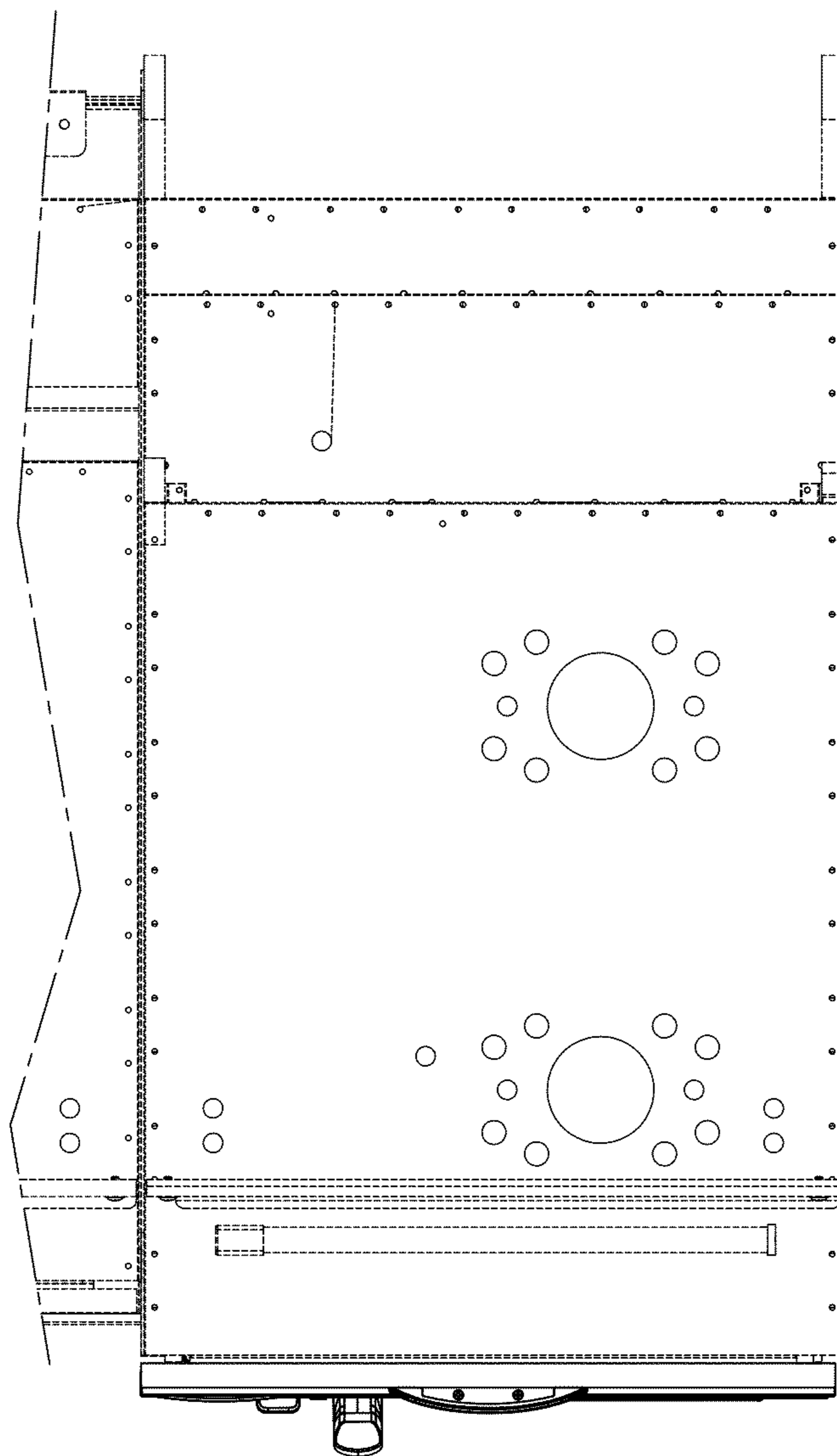


FIG - 6