



US00D734435S

(12) **United States Design Patent**
Scaramucci et al.

(10) **Patent No.:** **US D734,435 S**
(45) **Date of Patent:** **** Jul. 14, 2015**

(54) **VALVE GEAR OPERATOR**
(71) Applicant: **Valve Innovations, LLC**, Oklahoma City, OK (US)
(72) Inventors: **John P. Scaramucci**, Oklahoma City, OK (US); **William D. Filler**, Oklahoma City, OK (US)
(73) Assignee: **Valve Innovations LLC**, Oklahoma City, OK (US)

4,566,482 A * 1/1986 Stunkard 137/315.21
4,660,591 A * 4/1987 Brown et al. 137/312
D627,433 S * 11/2010 Gaudron D23/233
D725,747 S * 3/2015 Alexander et al. D23/233
D726,875 S * 4/2015 Wong et al. D23/233
D726,876 S * 4/2015 Trent et al. D23/233
D726,877 S * 4/2015 Trent et al. D23/233
2005/0205824 A1 * 9/2005 Osborne 251/305
2006/0283263 A1 * 12/2006 Parris et al. 73/861.27
2011/0133109 A1 * 6/2011 Mircea 251/315.01

* cited by examiner

(**) Term: **14 Years**

Primary Examiner — Cynthia Ramirez

(21) Appl. No.: **29/497,722**

(74) *Attorney, Agent, or Firm* — Dunlap Coddling, P.C.

(22) Filed: **Jul. 28, 2014**

(57) **CLAIM**

The ornamental design for a valve gear operator, as shown and described.

(51) **LOC (10) Cl.** **23-01**

DESCRIPTION

(52) **U.S. Cl.**
USPC **D23/249**

(58) **Field of Classification Search**
USPC D23/233–237, 244–249; D15/5, 7;
137/15.07, 15.08, 15.04; 251/214,
251/149.1, 273

FIG. 1 is a perspective view of a valve gear operator showing our new design with a handle shown in broken lines and mounted to a valve also shown in broken lines;
FIG. 2 is a front elevational view thereof;
FIG. 3 is a rear elevational view thereof;
FIG. 4 is a side elevational view of thereof;
FIG. 5 is a side elevational view of a side opposite that shown in FIG. 4;
FIG. 6 is a top plan view thereof; and,
FIG. 7 is a bottom plan view thereof.
The broken lines shown in FIGS. 1-7 are for purposes of illustrating environment only and form no part of the claimed design.

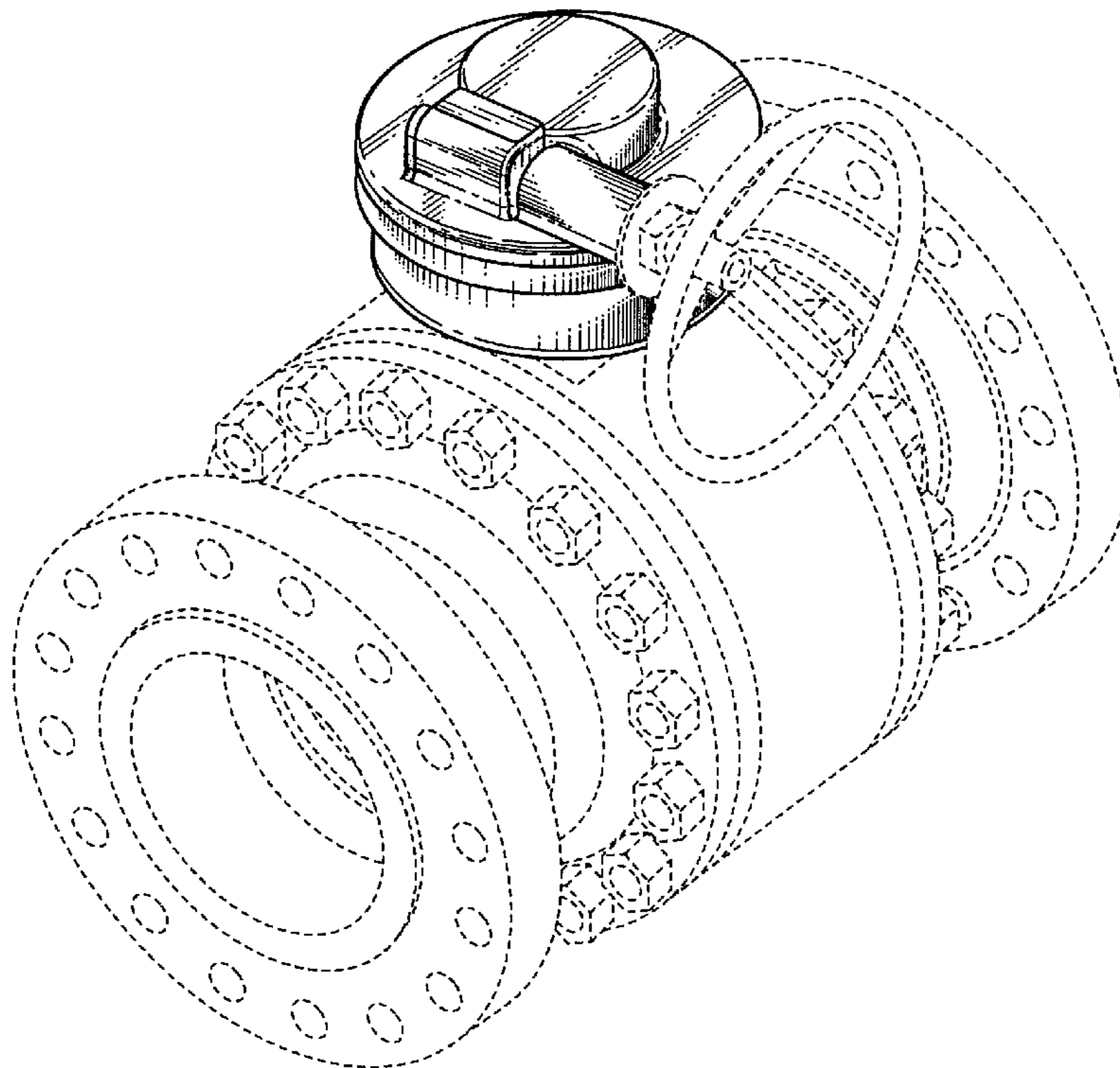
CPC F16K 41/02; F16K 41/04; F16K 41/046;
F16K 41/00; F16K 1/2268
See application file for complete search history.

(56) **References Cited**

U.S. PATENT DOCUMENTS

D213,104 S * 1/1969 Townsend D23/233
4,111,393 A * 9/1978 McClurg et al. 251/174

1 Claim, 4 Drawing Sheets



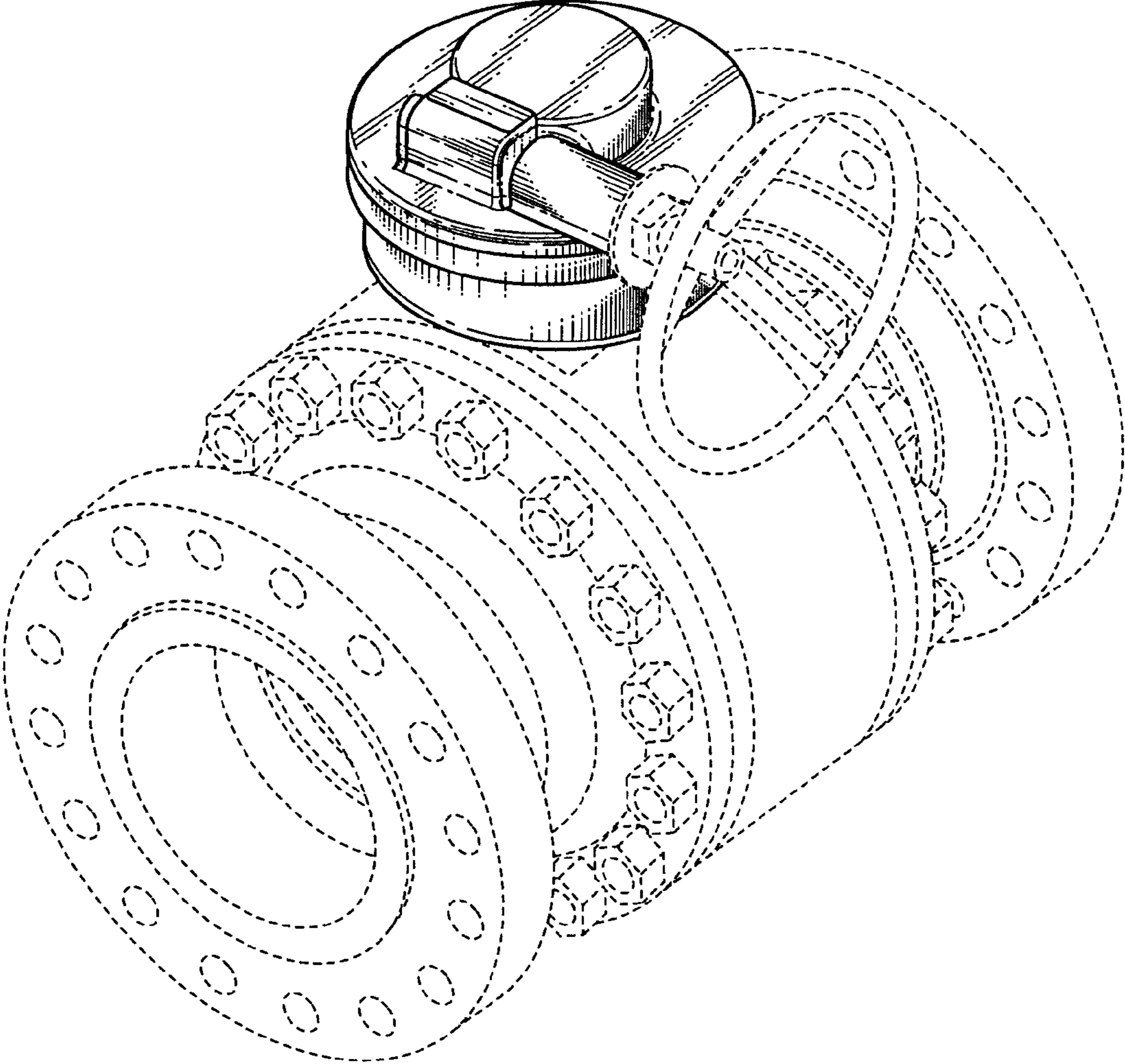


FIG. 1

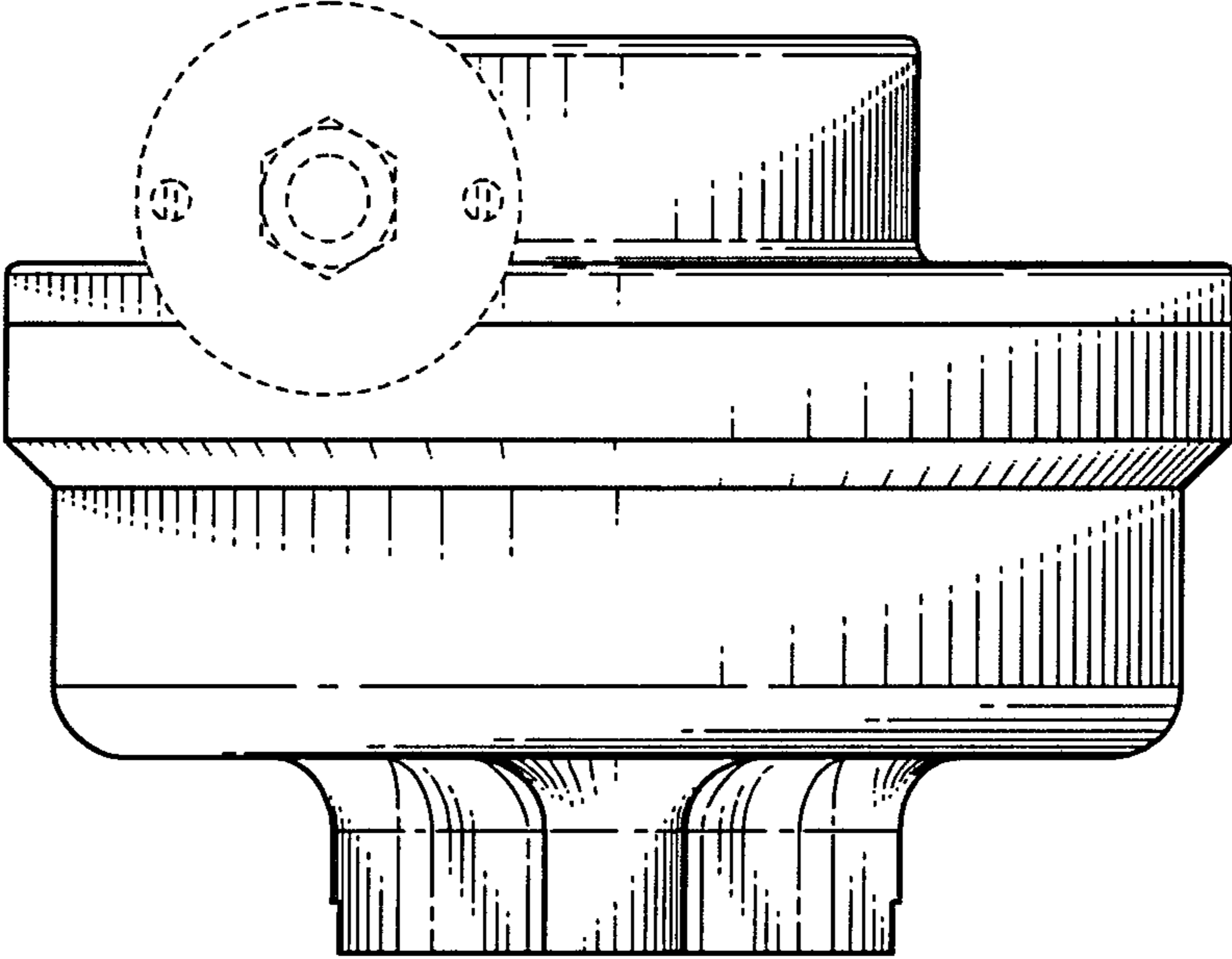


FIG. 2

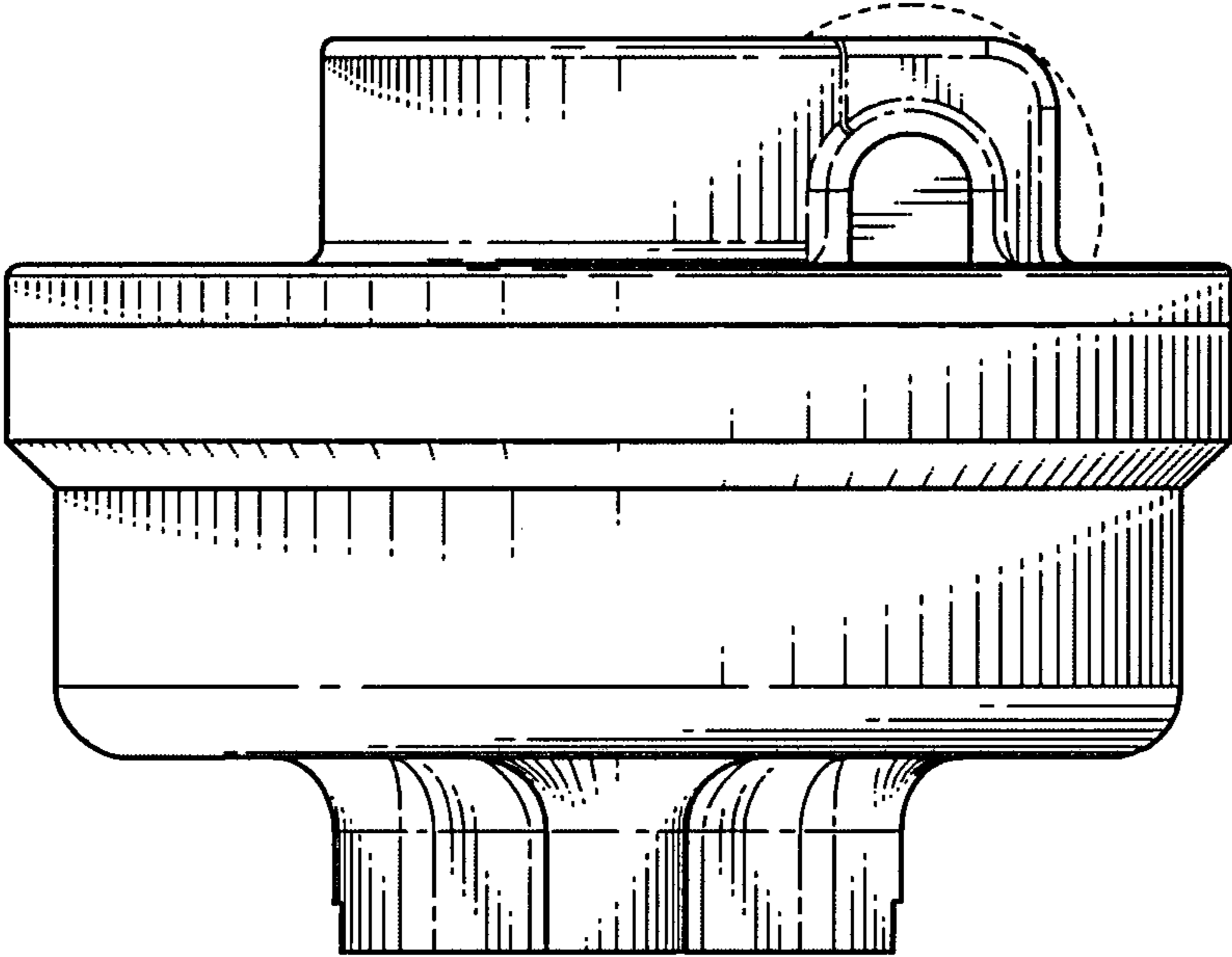


FIG. 3

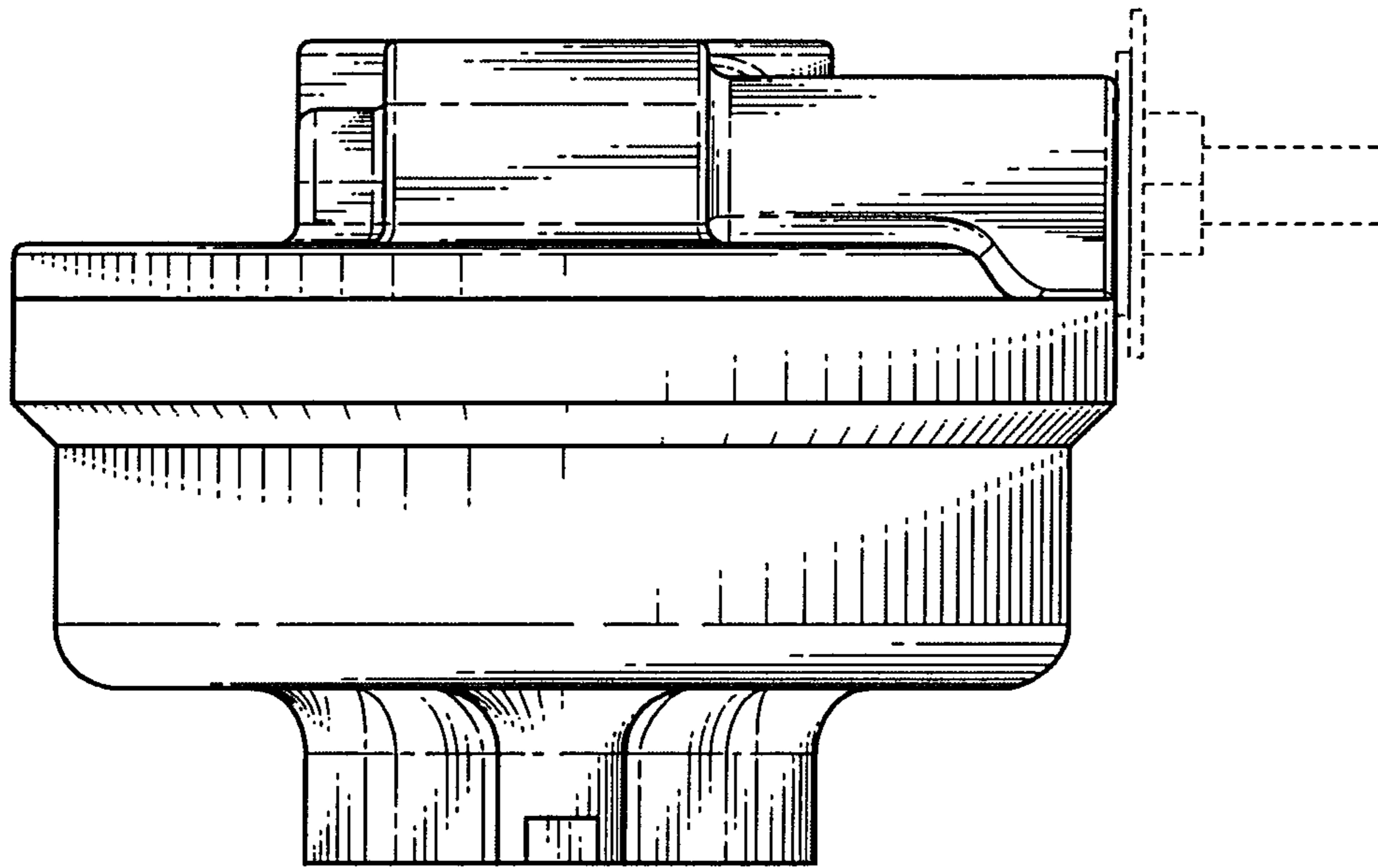


FIG. 4

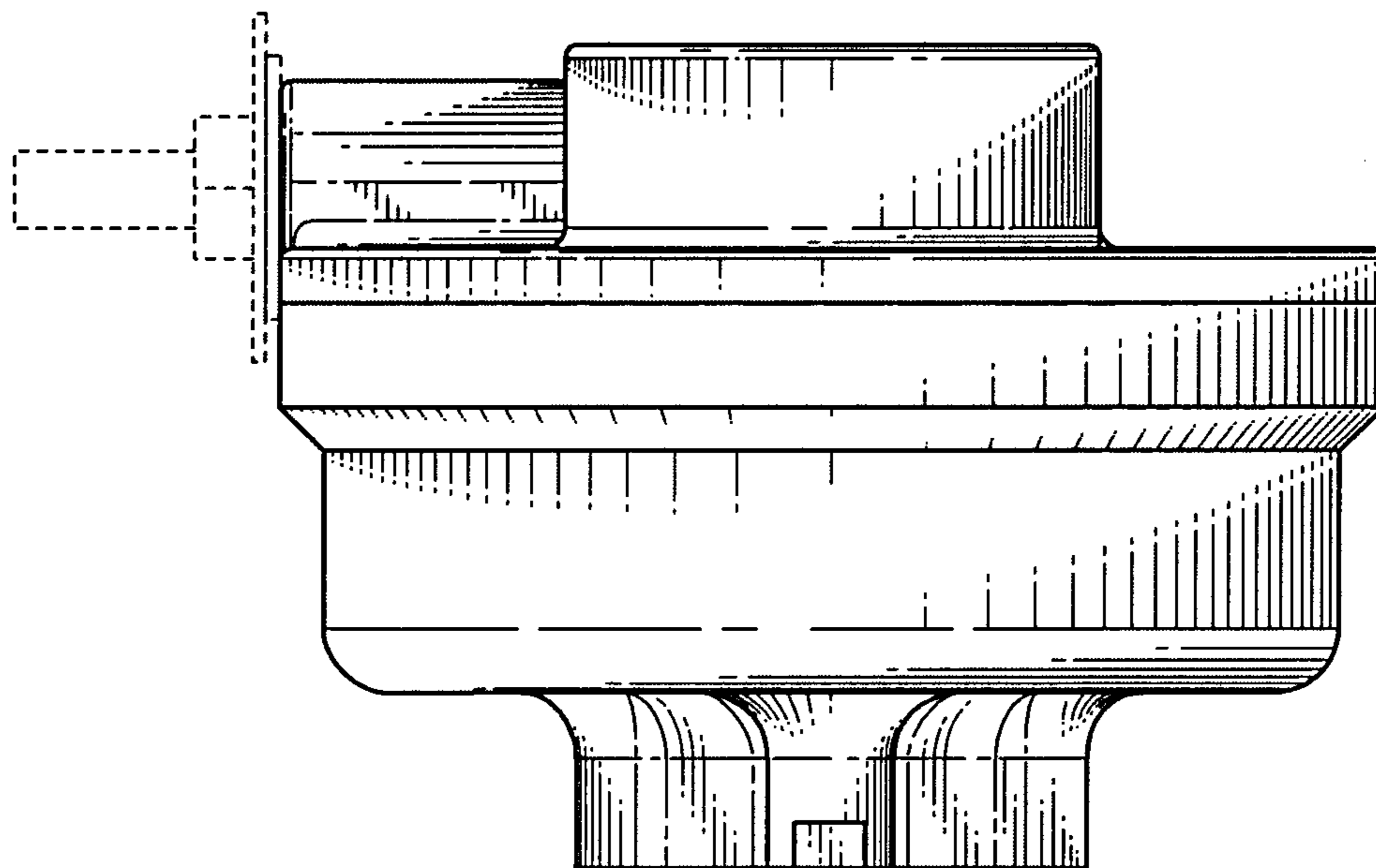


FIG. 5

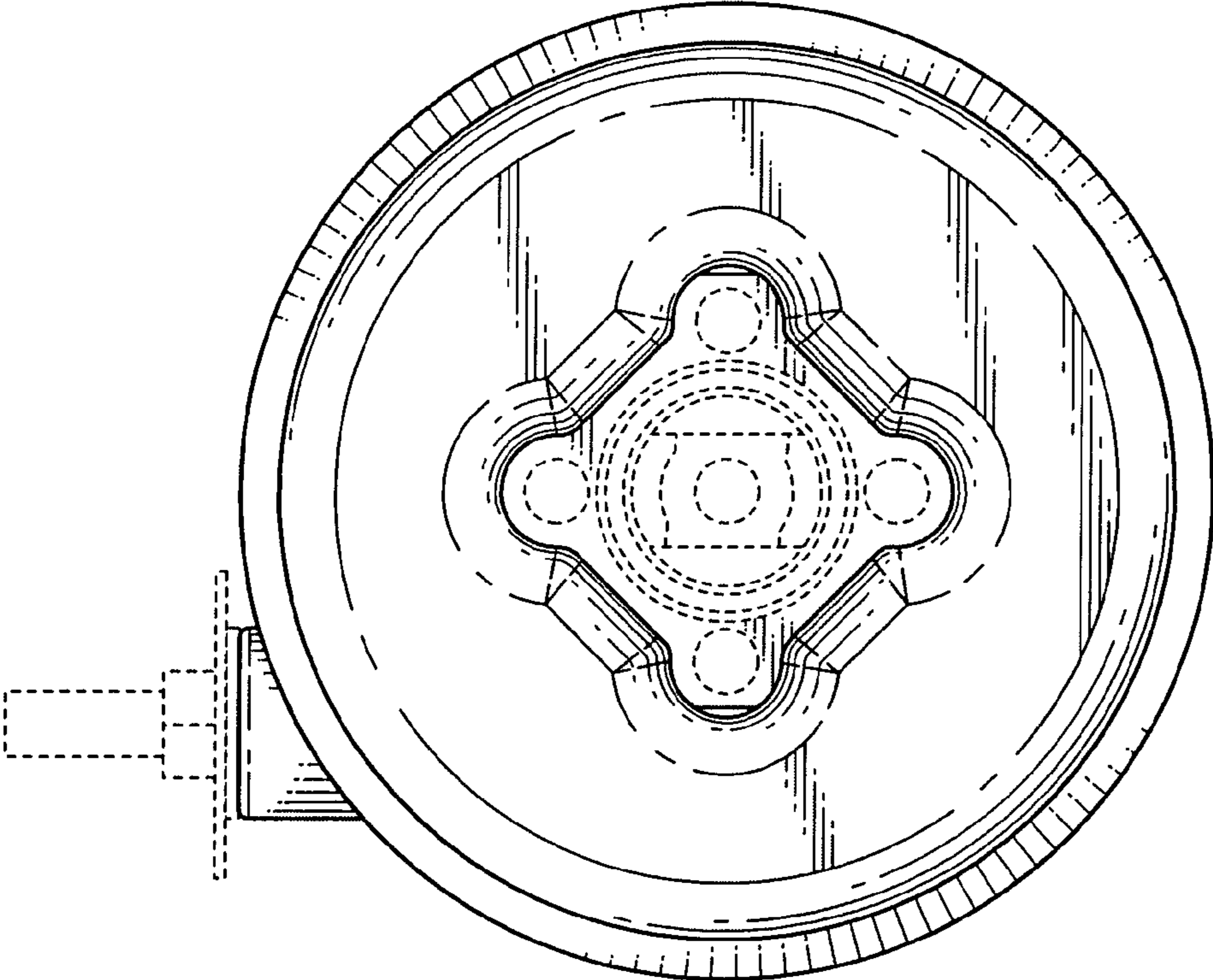


FIG. 6

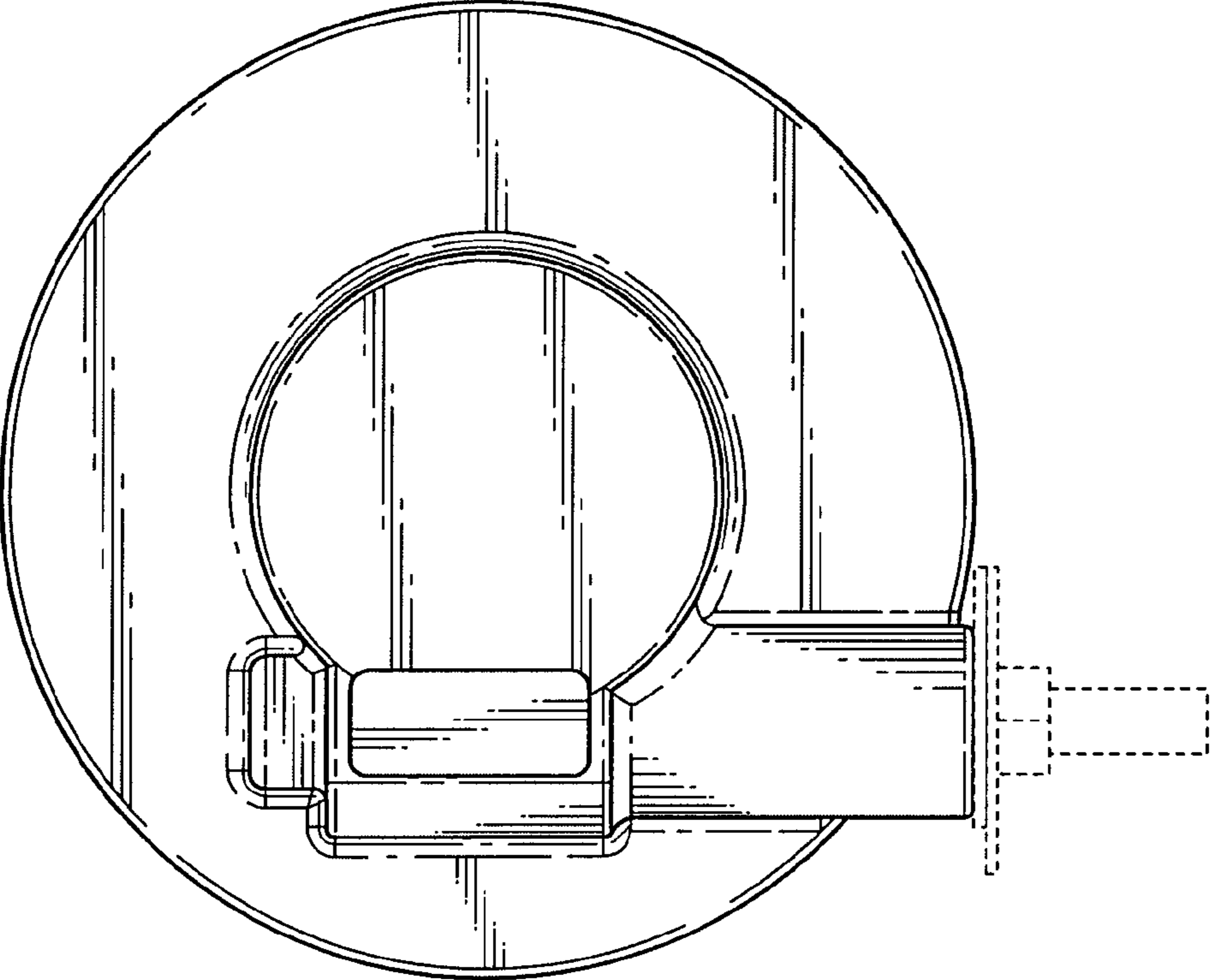


FIG. 7