



US00D734431S

(12) **United States Design Patent**
Chen

(10) **Patent No.:** **US D734,431 S**
(45) **Date of Patent:** **** Jul. 14, 2015**

(54) **TUBE EXPANDER**

(71) Applicant: **CHAMP-AIR REFRIGERATION
HARDWARE CO., LTD.**, Taichung
(TW)

(72) Inventor: **Hui-Chen Chen**, Taichung (TW)

(73) Assignee: **CHAMP-AIR REFRIGERATION
HARDWARE CO., LTD.**, Taichung
(TW)

(**) Term: **14 Years**

(21) Appl. No.: **29/497,632**

(22) Filed: **Jul. 25, 2014**

(51) **LOC (10) Cl.** **23-01**

(52) **U.S. Cl.**
USPC **D23/233**

(58) **Field of Classification Search**
USPC D23/233–237, 244–249; 138/31, 30,
138/89, 90, 109, 129, 145, 172, 123
CPC F16K 1/46; F16K 1/222; F16K 1/226
See application file for complete search history.

(56) **References Cited**

U.S. PATENT DOCUMENTS

D297,254 S * 8/1988 Odate et al. D23/248
D366,693 S * 1/1996 Gregor D23/245

D372,073 S * 7/1996 Ozaki et al. D23/245
D374,066 S * 9/1996 Gregor D23/233
D455,474 S * 4/2002 Knobel et al. D23/245
D522,618 S * 6/2006 Matsushita D23/245
D526,386 S * 8/2006 Lai D23/233
D616,068 S * 5/2010 Collins D23/233
D624,628 S * 9/2010 Haynes D23/233
D627,036 S * 11/2010 Reedy et al. D23/233
D711,509 S * 8/2014 Sisk D23/233
D721,786 S * 1/2015 Bisio et al. D23/233
2014/0026987 A1* 1/2014 Ayers et al. 137/533.11
2014/0252254 A1* 9/2014 Yuan et al. 251/188

* cited by examiner

Primary Examiner — Cynthia Ramirez

(74) *Attorney, Agent, or Firm* — WPAT, P.C.; Anthony King

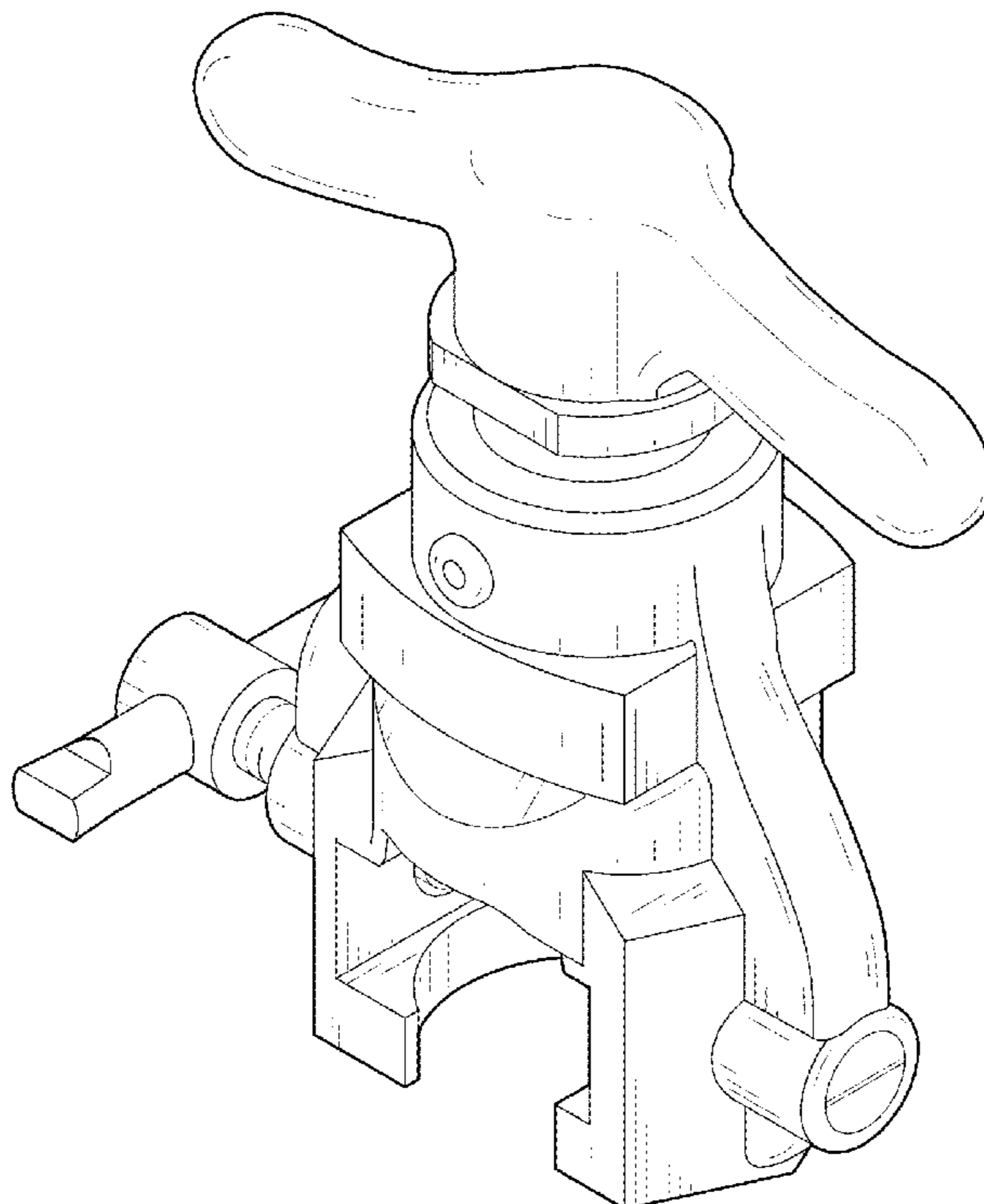
(57) **CLAIM**

The ornamental design for a “tube expander,” as shown and described.

DESCRIPTION

FIG. 1 is a perspective view of a tube expander showing our new design;
FIG. 2 is an elevational view for both front side and rear side thereof;
FIG. 3 is a left side elevational view thereof;
FIG. 4 is a right side elevational view thereof;
FIG. 5 is a top plan view thereof;
FIG. 6 is a bottom plan view thereof; and,
FIG. 7 is another perspective view thereof.

1 Claim, 7 Drawing Sheets



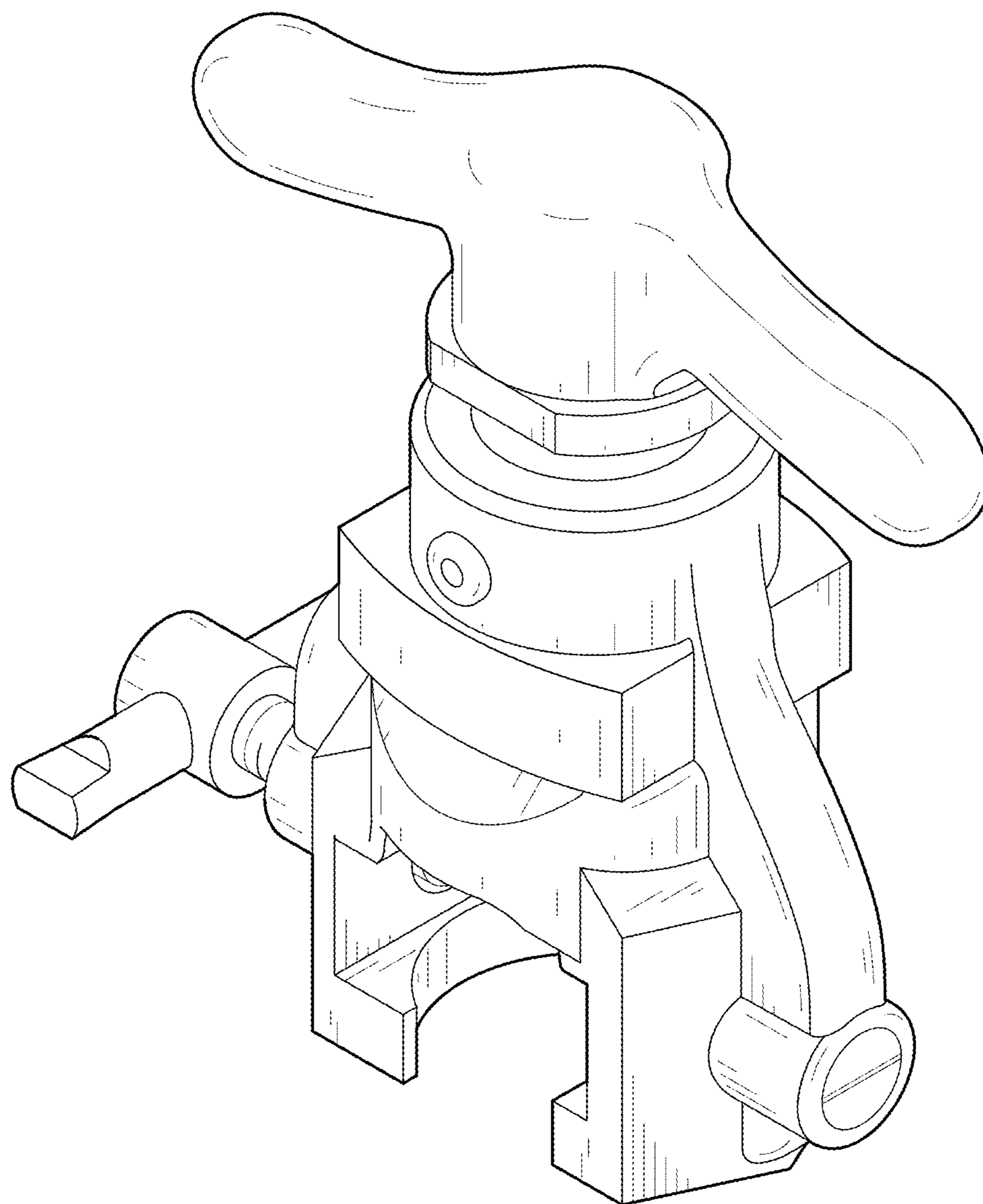


FIG. 1

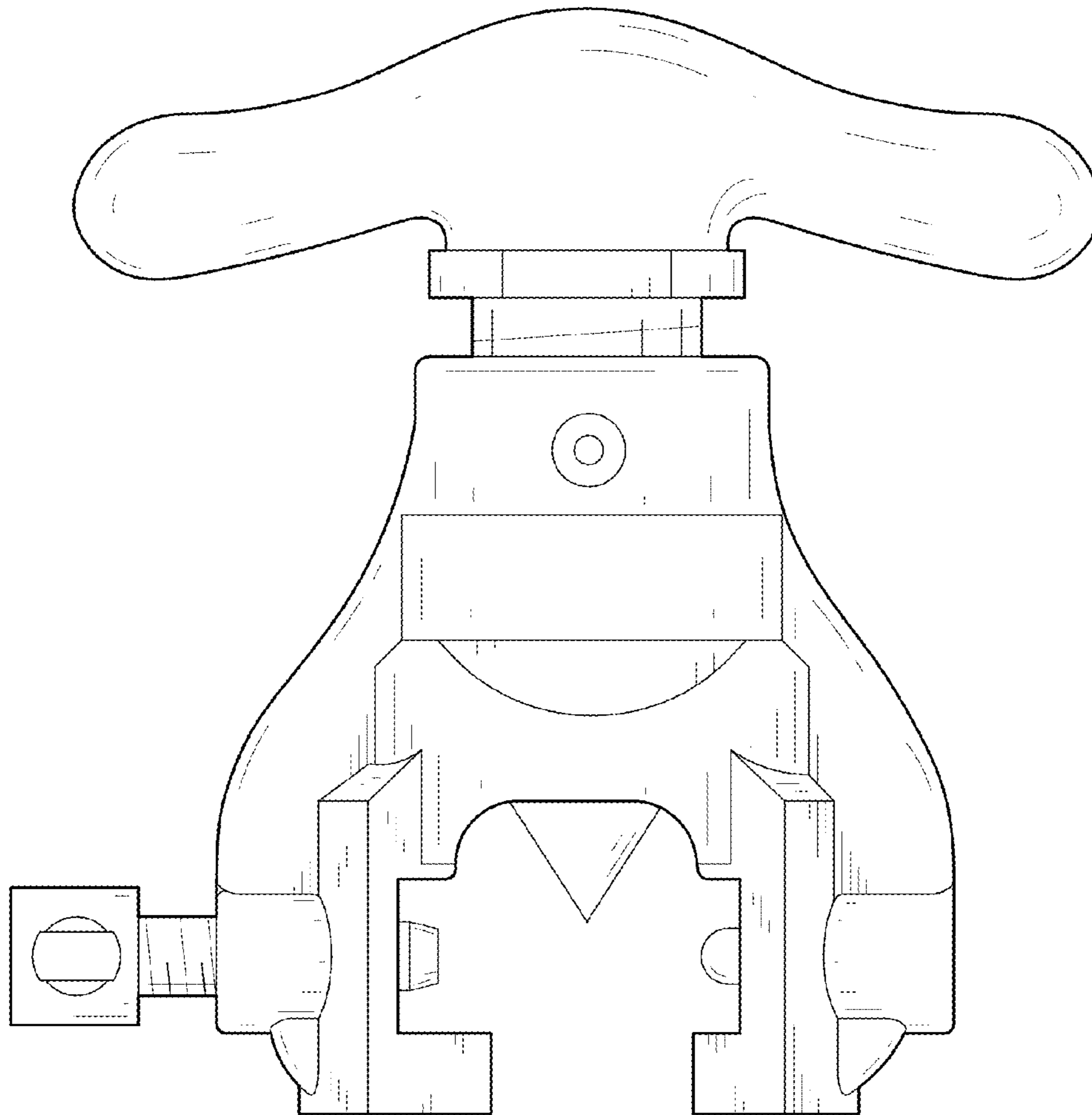


FIG. 2

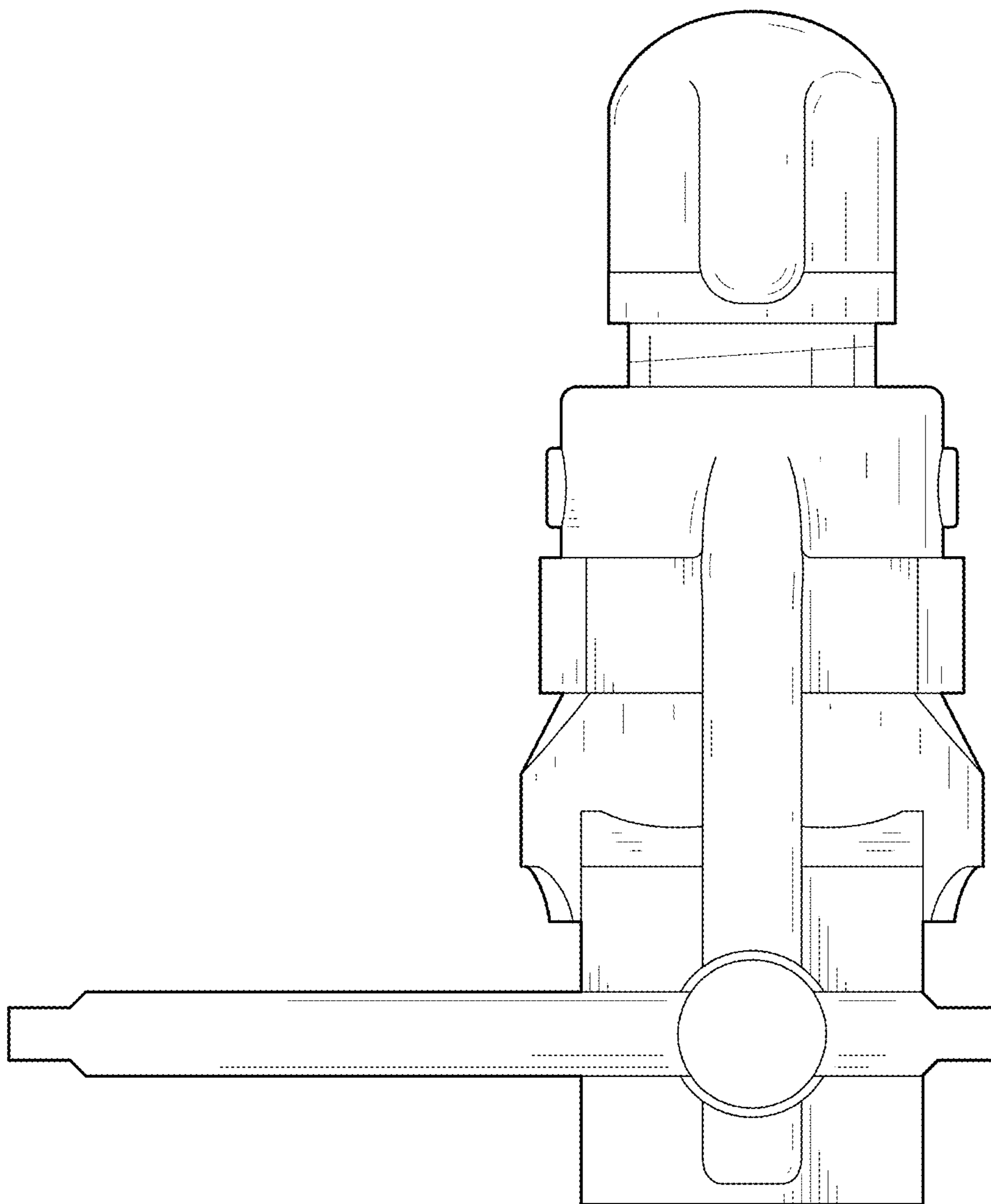


FIG. 3

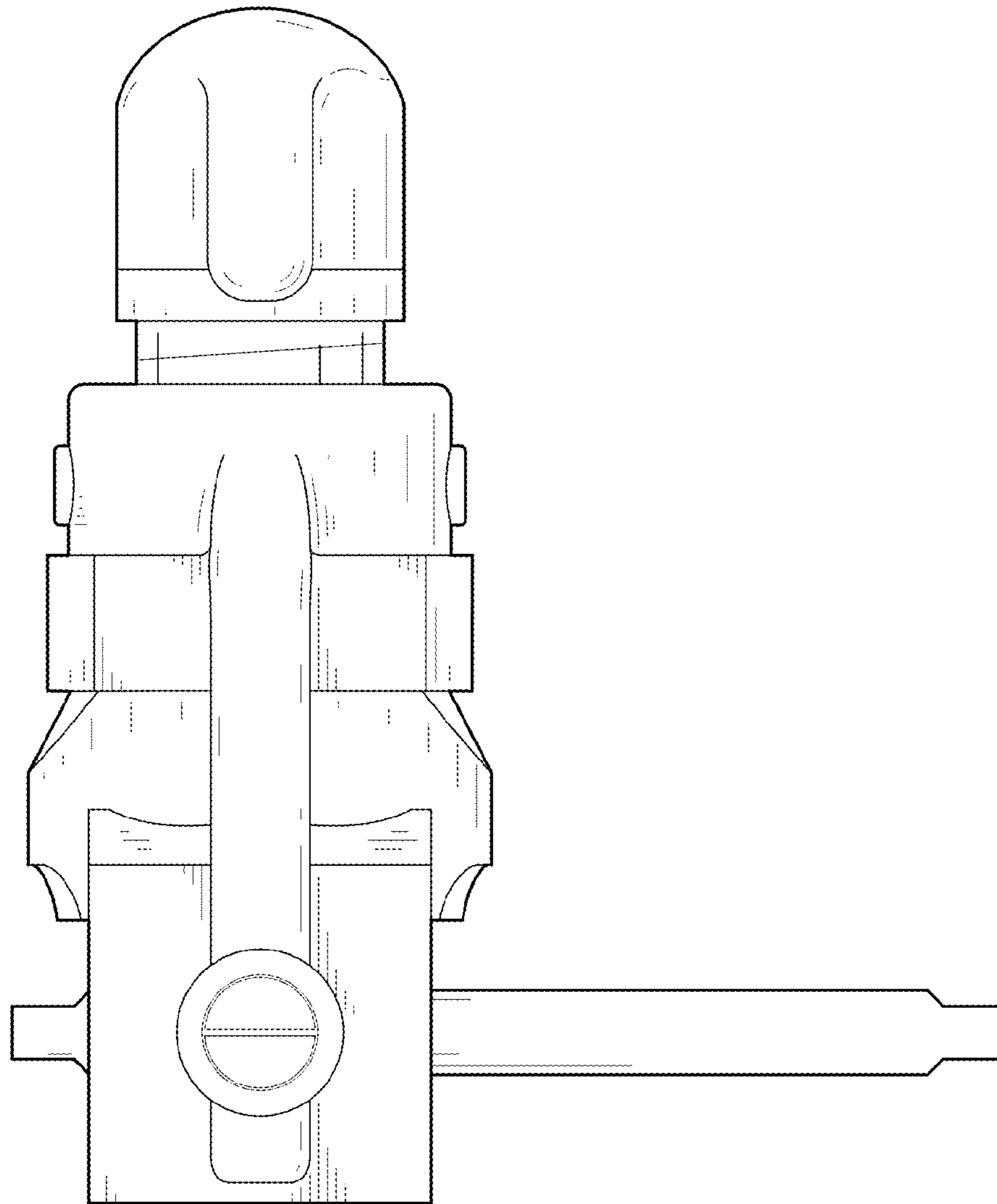


FIG. 4

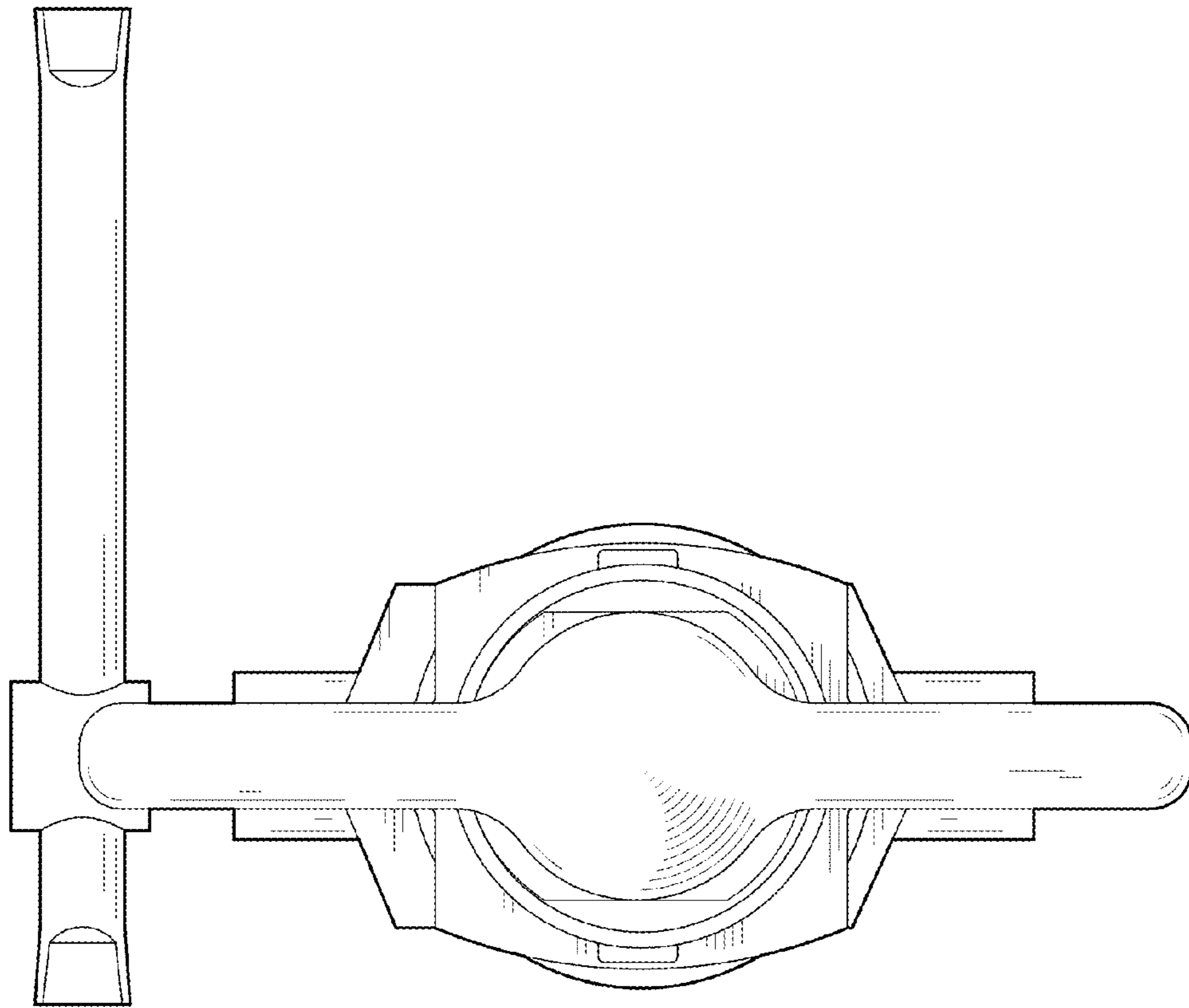


FIG. 5

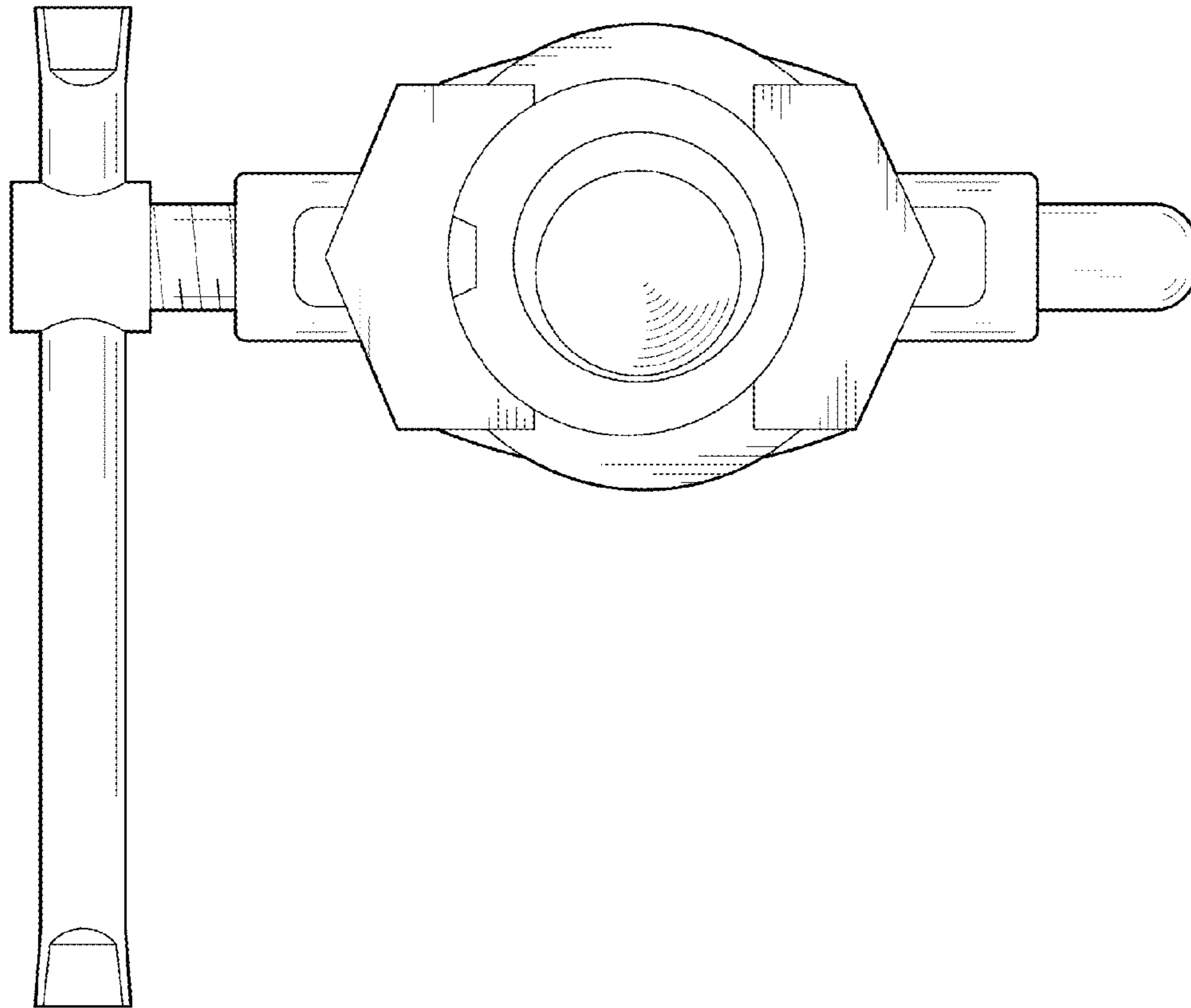


FIG. 6

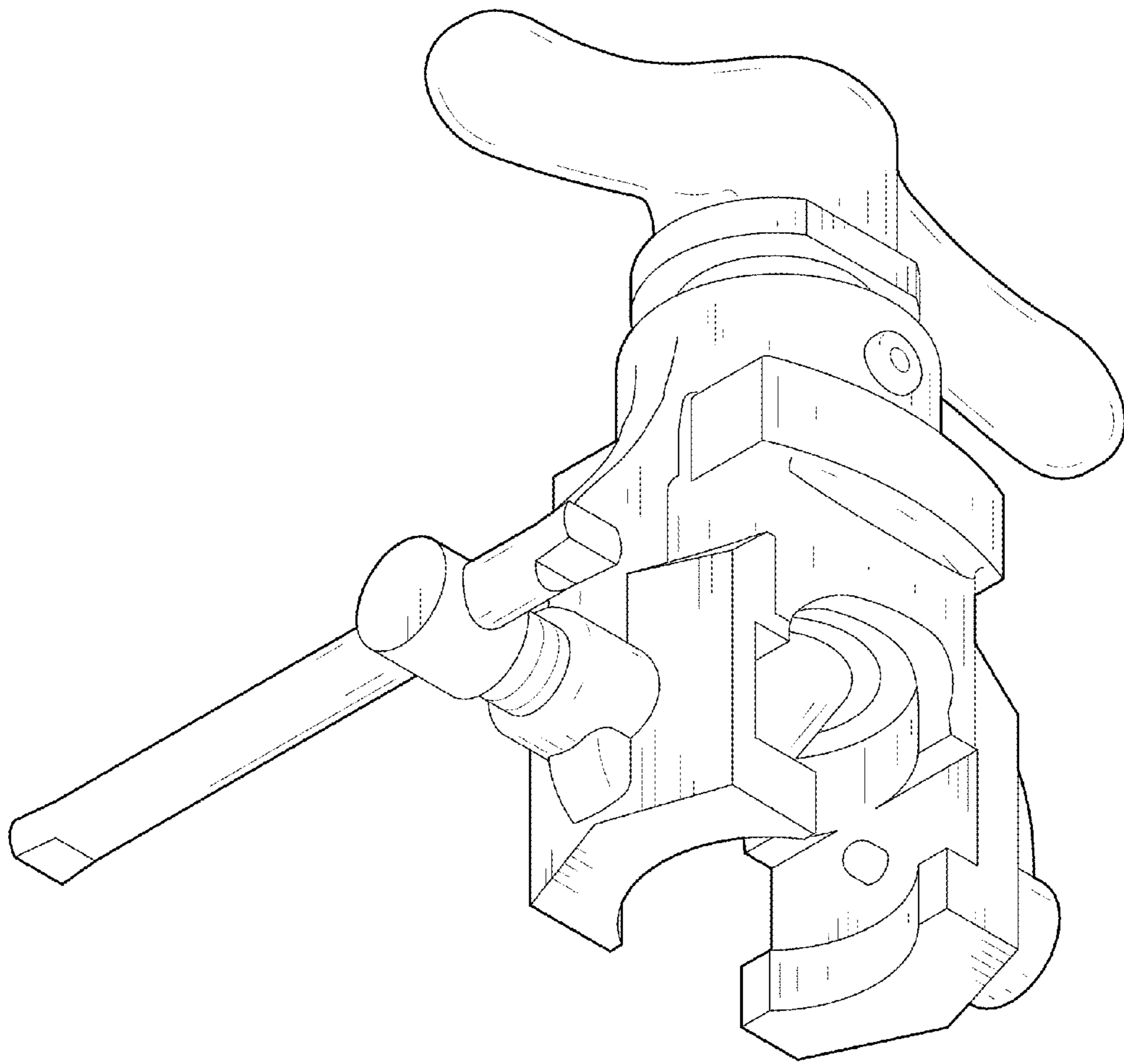


FIG. 7