



US00D734430S

(12) **United States Design Patent**
Wang

(10) **Patent No.:** **US D734,430 S**

(45) **Date of Patent:** **** Jul. 14, 2015**

(54) **PAINT SPRAY GUN**

(71) Applicant: **Hsing-Tzu Wang**, Taichung (TW)

(72) Inventor: **Hsing-Tzu Wang**, Taichung (TW)

(**) Term: **14 Years**

(21) Appl. No.: **29/499,992**

(22) Filed: **Aug. 20, 2014**

(51) **LOC (10) Cl.** **23-01**

(52) **U.S. Cl.**
USPC **D23/226**

(58) **Field of Classification Search**
USPC D23/213, 223, 226; 239/290, 291, 526,
239/690, 691; 361/227, 228
See application file for complete search history.

(56) **References Cited**

U.S. PATENT DOCUMENTS

D405,503 S *	2/1999	Endo	D23/226
D548,816 S *	8/2007	Schmon et al.	D23/226
D552,715 S *	10/2007	Schmon et al.	D23/226
D583,013 S *	12/2008	Wang	D23/226

D607,972 S *	1/2010	Wang	D23/226
D614,731 S *	4/2010	Wang	D23/226
D644,716 S *	9/2011	Gehrung	D23/226
D672,012 S *	12/2012	Brose et al.	D23/226
D689,593 S *	9/2013	Schmon et al.	D23/226

* cited by examiner

Primary Examiner — Robin V Webster

(74) *Attorney, Agent, or Firm* — Hamre, Schumann, Mueller & Larson, P.C.

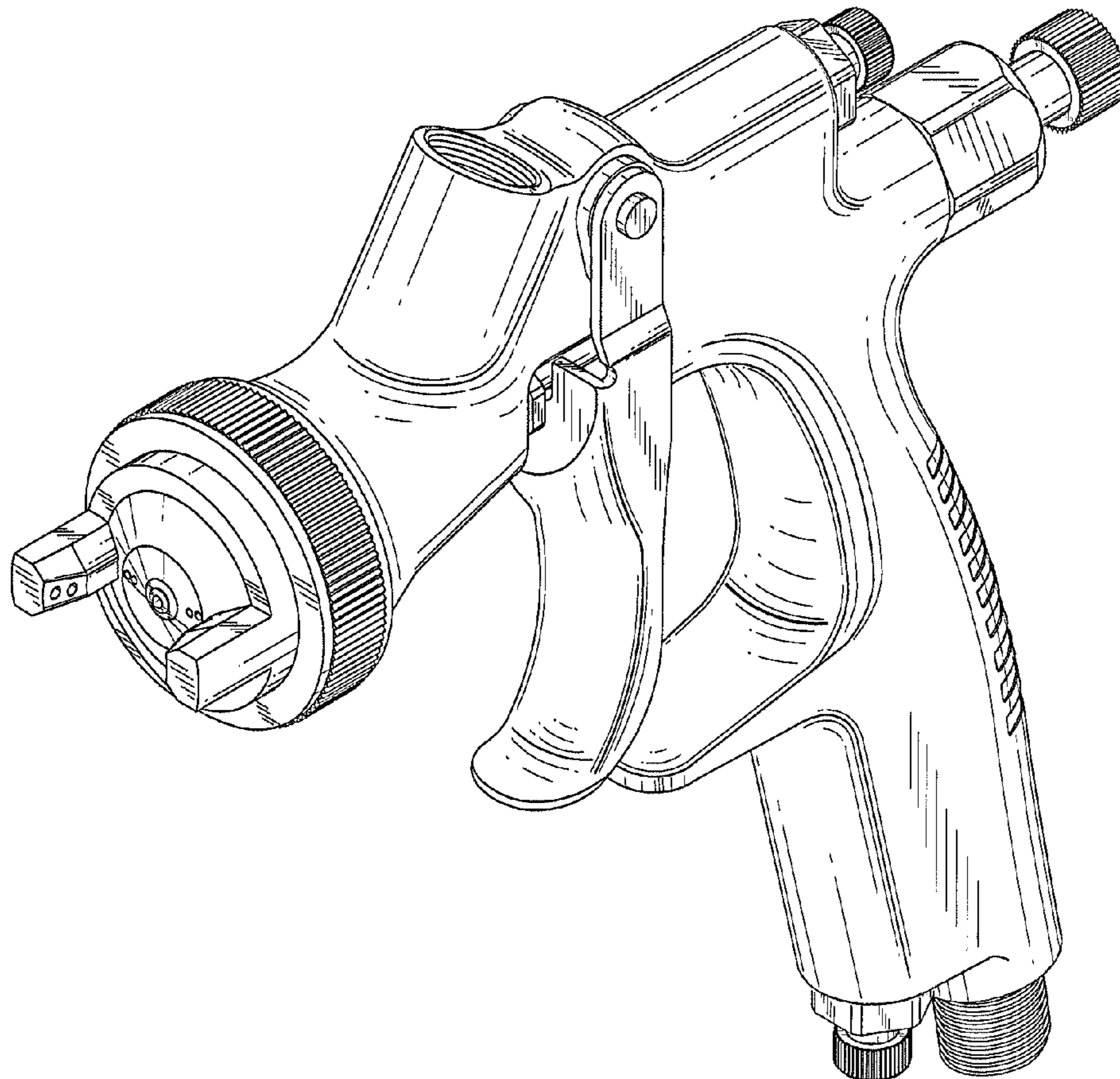
(57) **CLAIM**

The ornamental design for paint spray gun, as shown and described.

DESCRIPTION

FIG. 1 is a perspective view of paint spray gun showing my new design;
FIG. 2 is a front elevational view thereof;
FIG. 3 is a rear elevational view thereof;
FIG. 4 is a left side elevational view thereof;
FIG. 5 is a right side elevational view thereof;
FIG. 6 is a top plan view thereof; and,
FIG. 7 is a bottom plan view thereof.

1 Claim, 7 Drawing Sheets



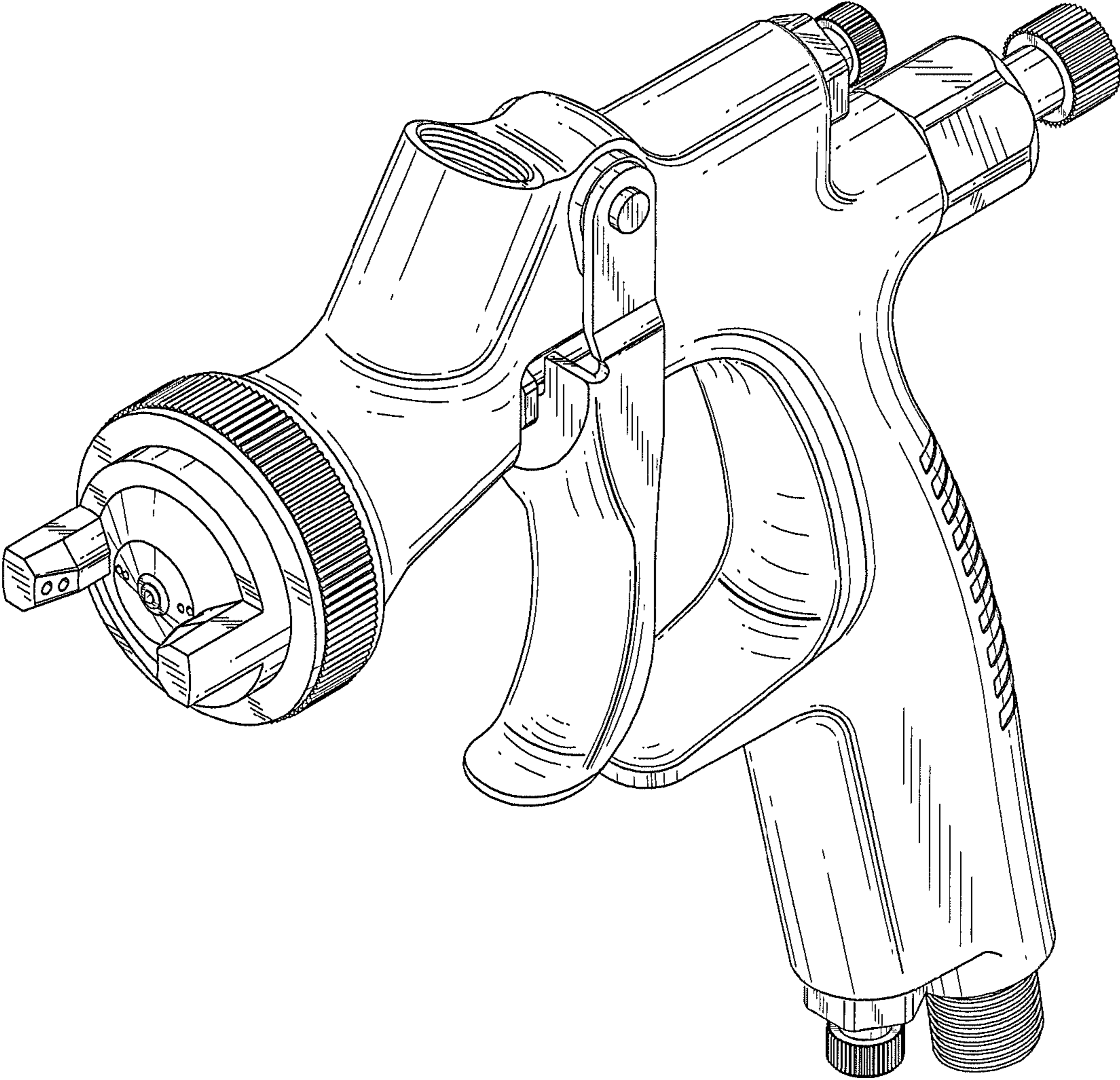


FIG. 1

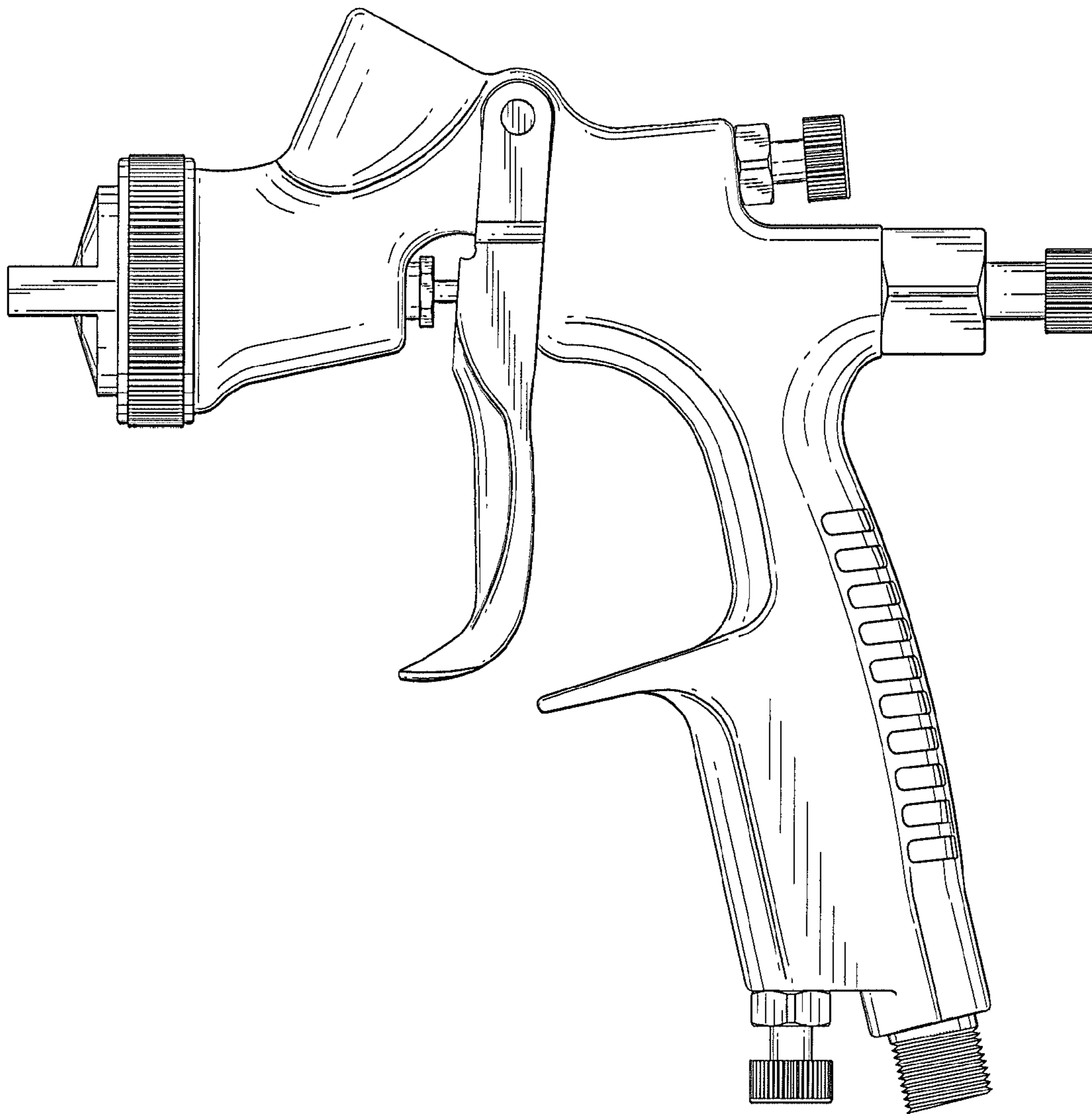


FIG.2

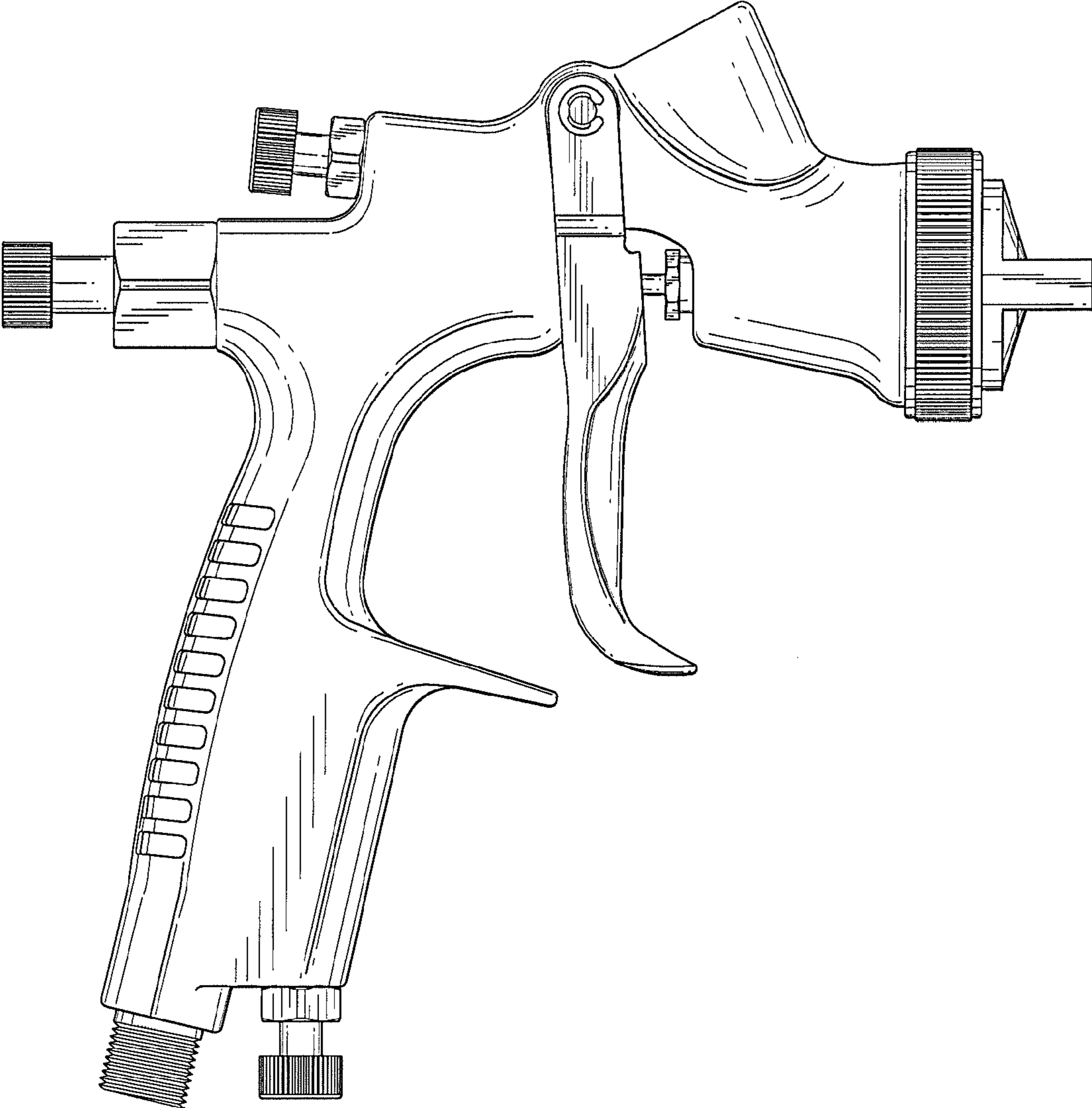


FIG.3

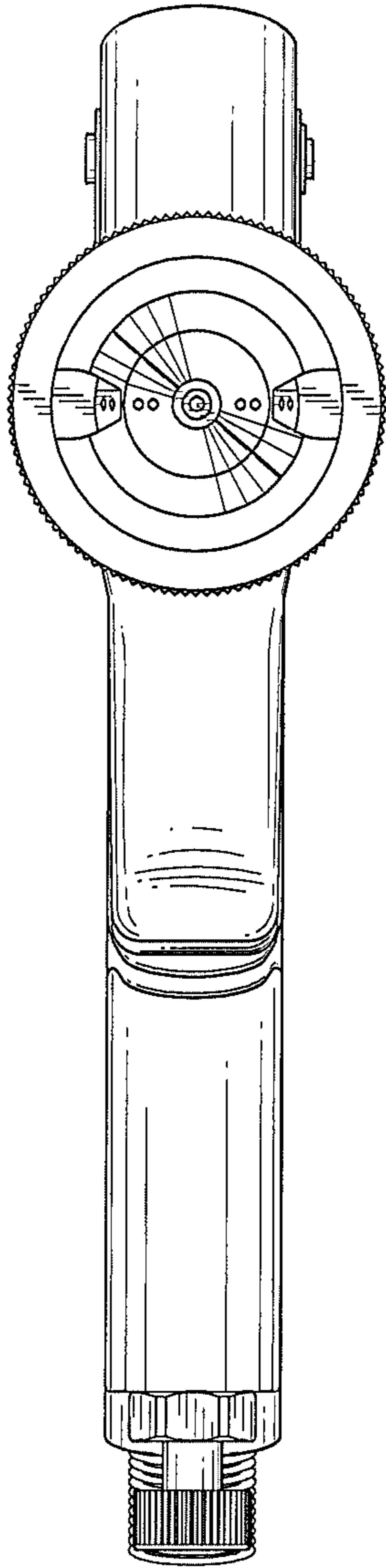


FIG.4

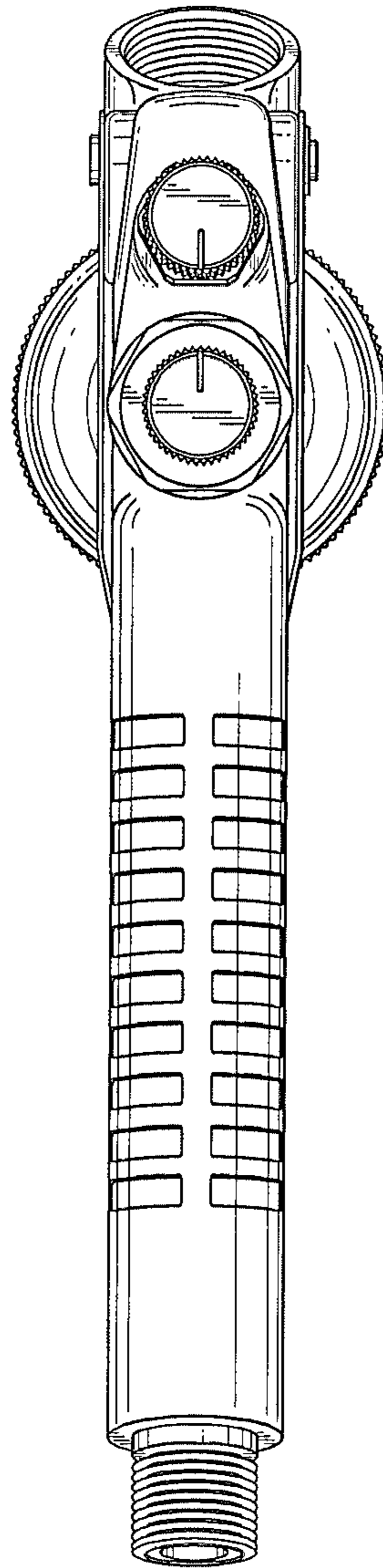


FIG.5

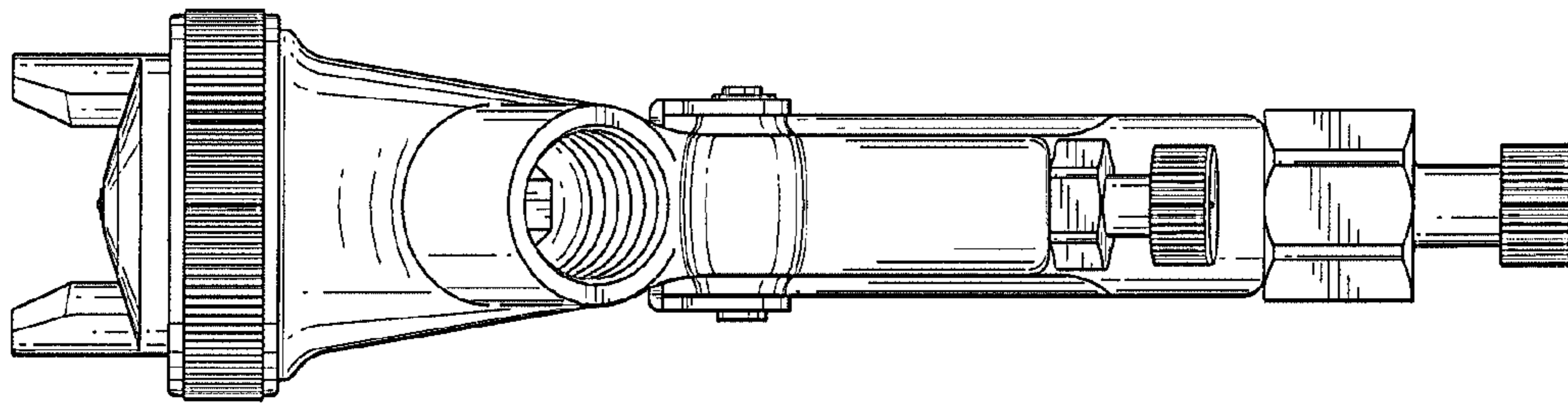


FIG.6

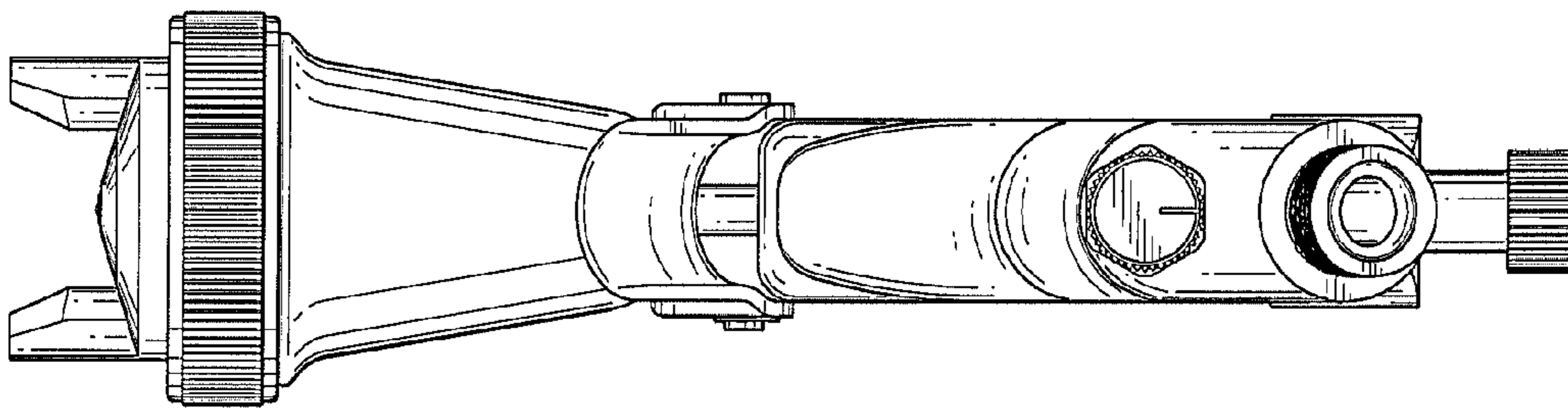


FIG. 7