

US00D734428S

(12) **United States Design Patent**  
**Wang**

(10) **Patent No.:** **US D734,428 S**

(45) **Date of Patent:** **\*\* Jul. 14, 2015**

(54) **PAINT SPRAY GUN**

(71) Applicant: **Hsing-Tzu Wang**, Taichung (TW)

(72) Inventor: **Hsing-Tzu Wang**, Taichung (TW)

(\*\*) Term: **14 Years**

(21) Appl. No.: **29/499,990**

(22) Filed: **Aug. 20, 2014**

(51) **LOC (10) Cl.** ..... **23-01**

(52) **U.S. Cl.**  
USPC ..... **D23/226**

(58) **Field of Classification Search**  
USPC ..... D23/213, 223, 226; 239/290, 291, 526,  
239/690, 691; 361/227, 228  
See application file for complete search history.

(56) **References Cited**

**U.S. PATENT DOCUMENTS**

D314,421 S *	2/1991	Tajima et al.	.....	D23/226
D563,505 S *	3/2008	Schmon et al.	.....	D23/226
D570,448 S *	6/2008	Wang	.....	D23/226
D604,394 S *	11/2009	Wang	.....	D23/226

D616,527 S *	5/2010	Anderson et al.	.....	D23/226
D637,269 S *	5/2011	Wang	.....	D23/226
D641,067 S *	7/2011	Wang	.....	D23/226
D689,593 S *	9/2013	Schmon et al.	.....	D23/226
D697,584 S *	1/2014	Schmon et al.	.....	D23/226

\* cited by examiner

*Primary Examiner* — Robin V Webster

(74) *Attorney, Agent, or Firm* — Hamre, Schumann, Mueller & Larson, P.C.

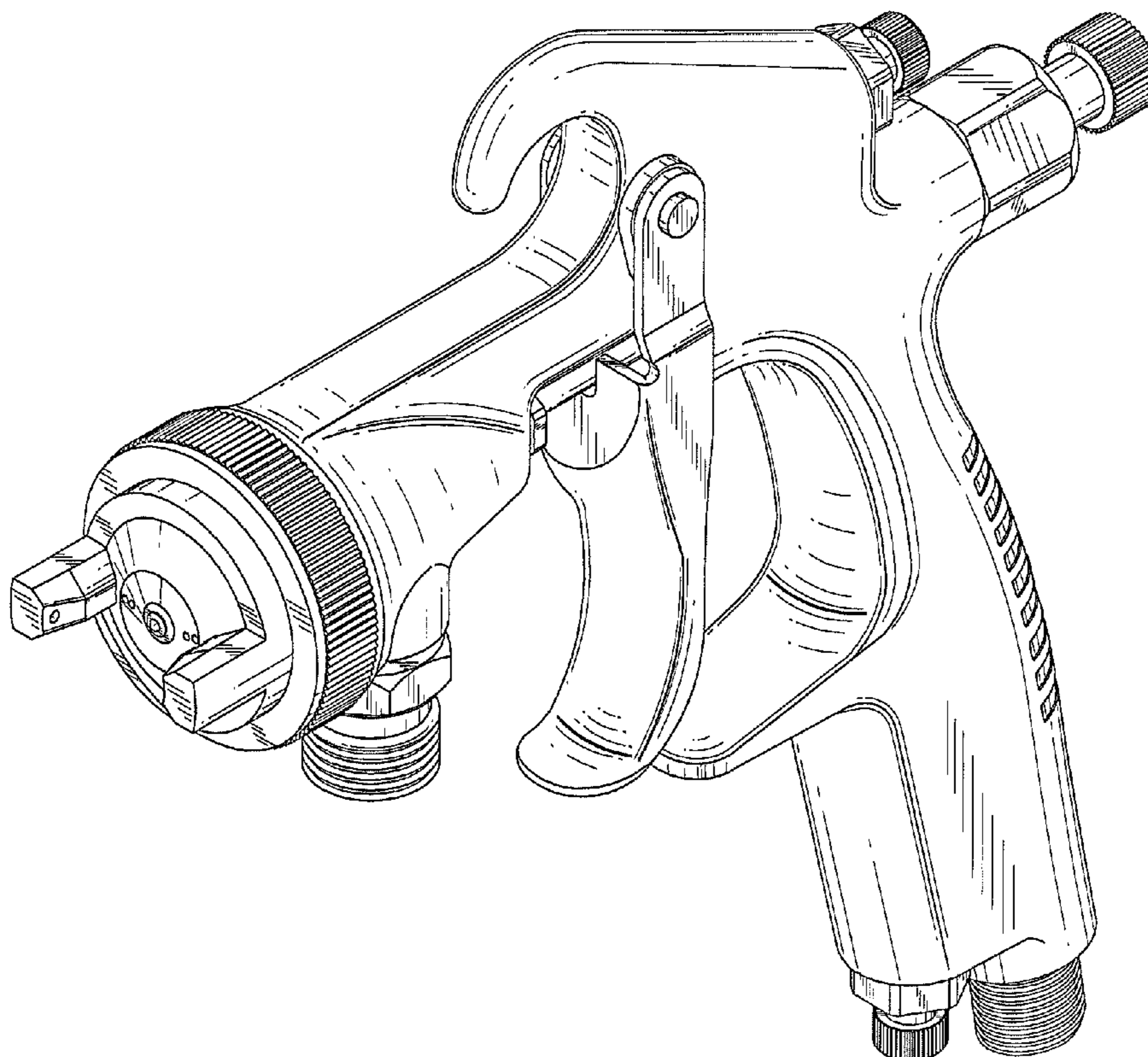
(57) **CLAIM**

The ornamental design for paint spray gun, as shown and described.

**DESCRIPTION**

FIG. 1 is a perspective view of paint spray gun showing my new design;  
FIG. 2 is a front elevational view thereof;  
FIG. 3 is a rear elevational view thereof;  
FIG. 4 is a left side elevational view thereof;  
FIG. 5 is a right side elevational view thereof;  
FIG. 6 is a top plan view thereof; and,  
FIG. 7 is a bottom plan view thereof.

**1 Claim, 7 Drawing Sheets**



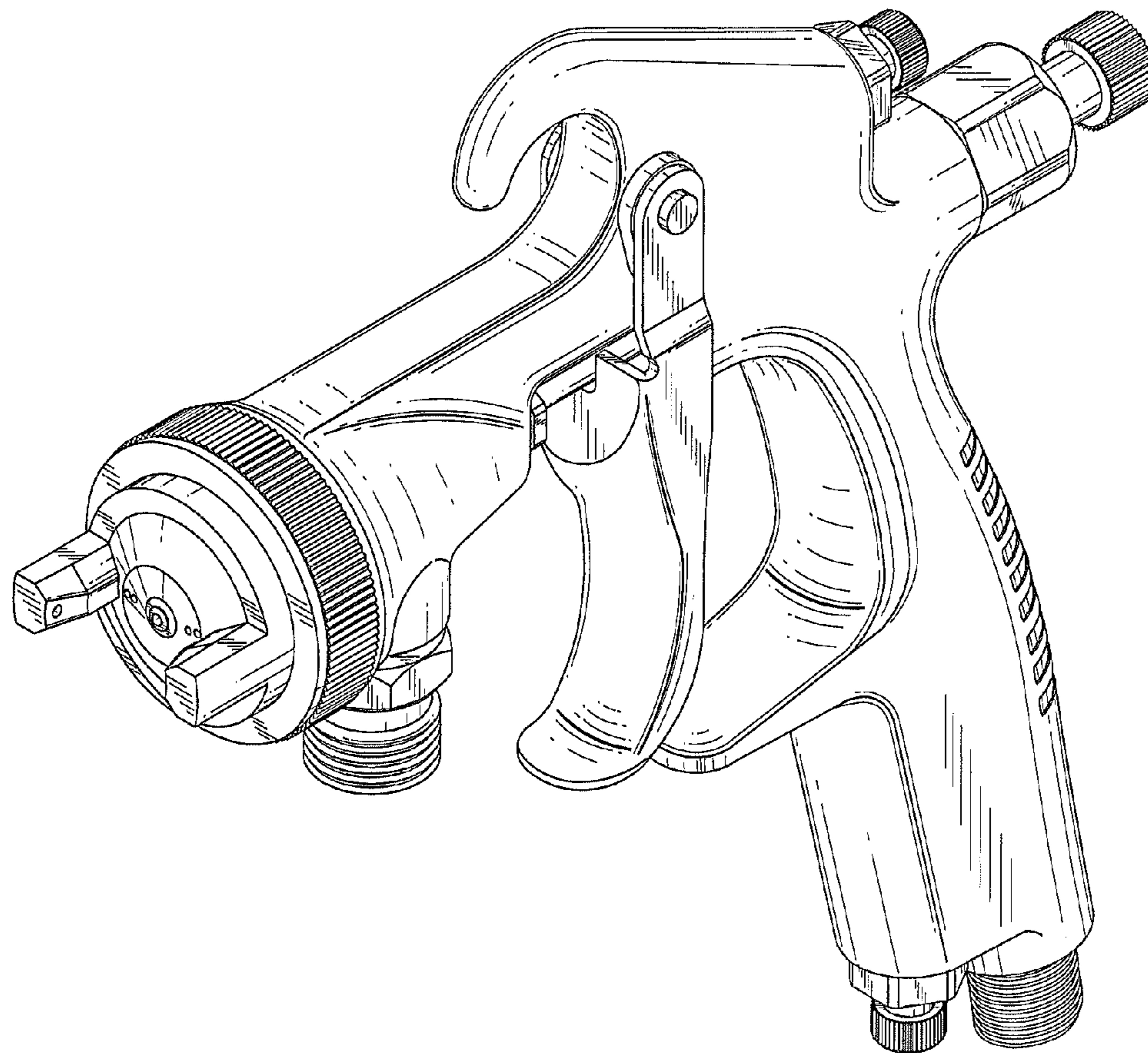


FIG. 1

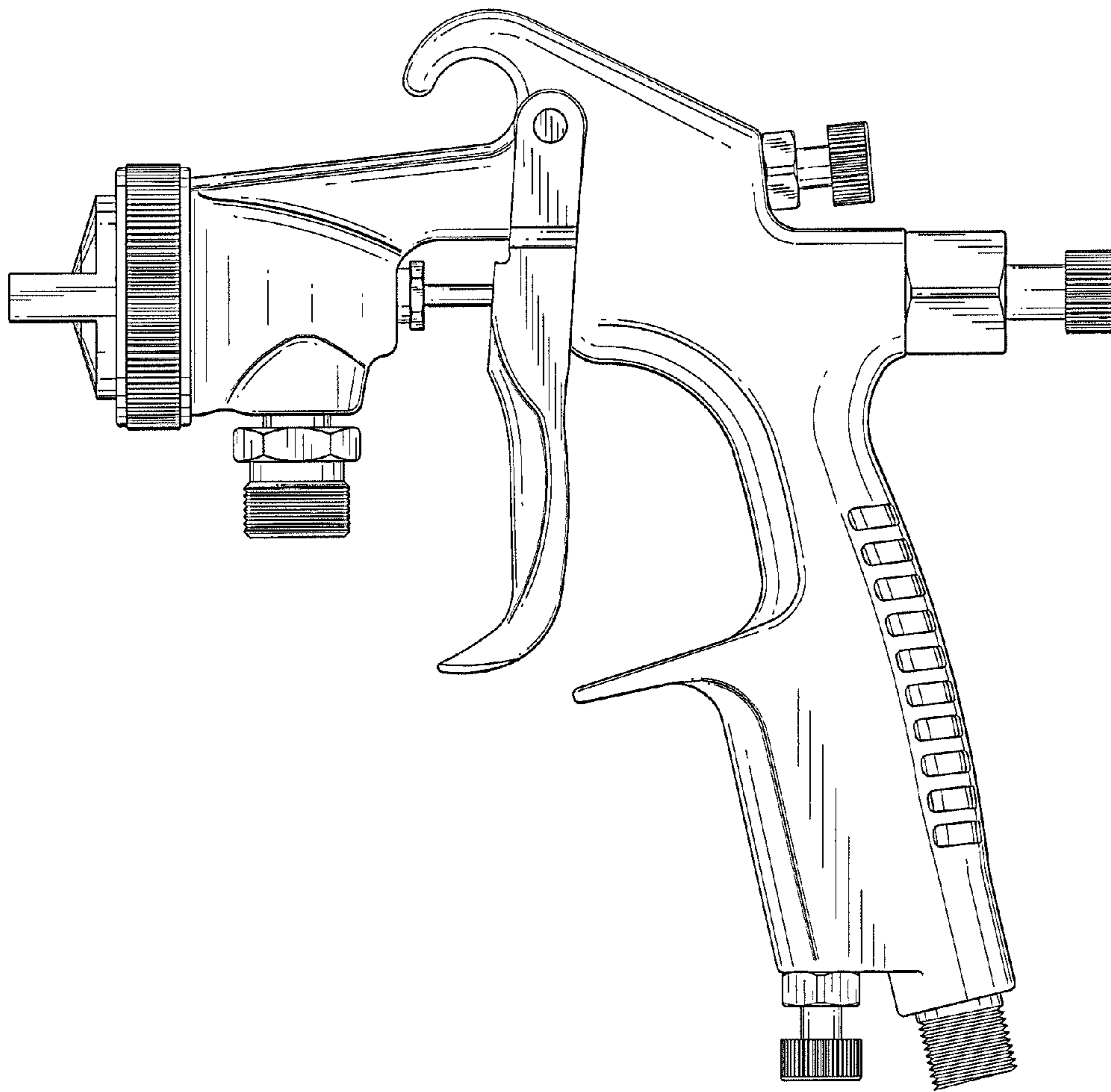


FIG.2

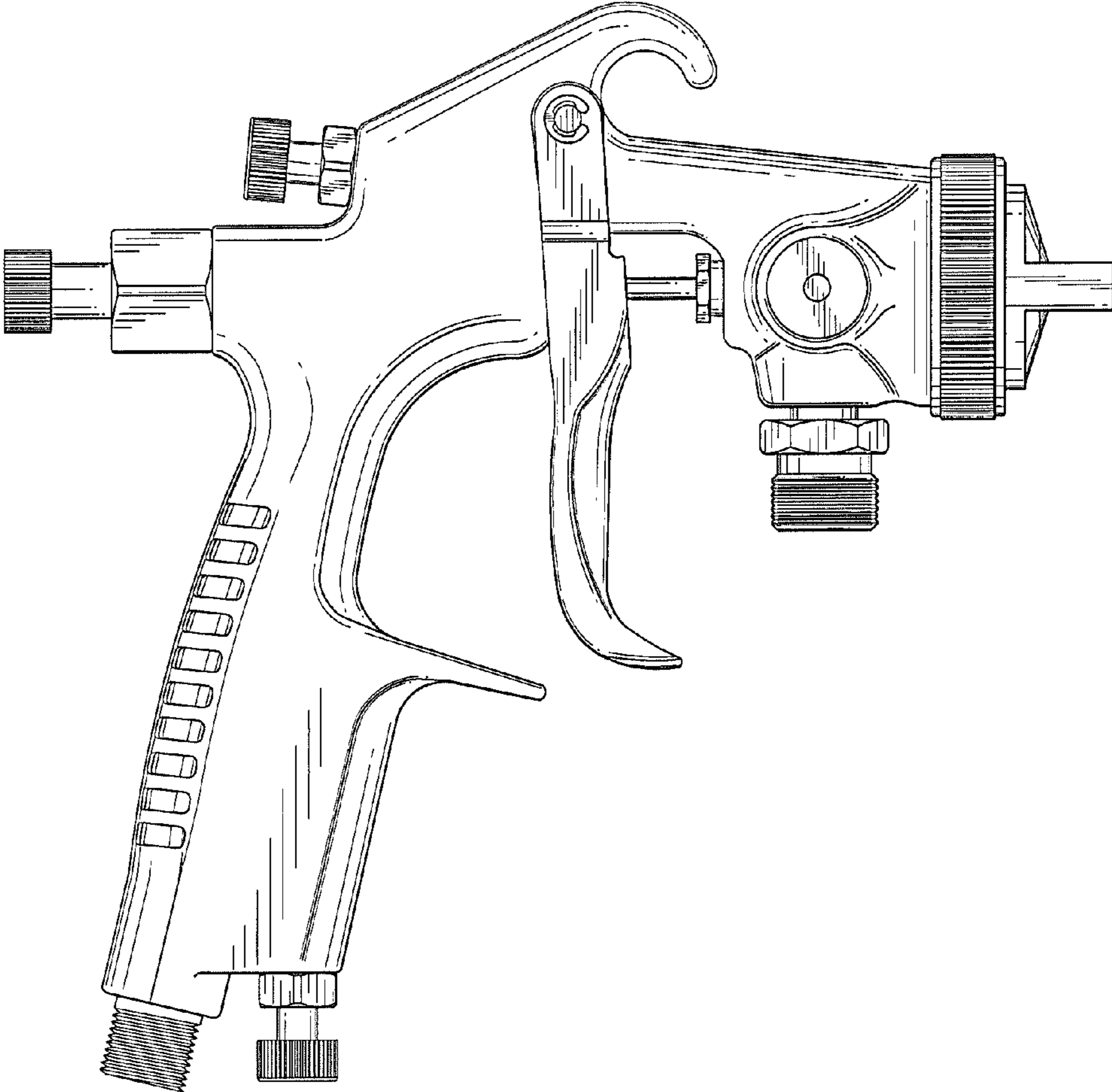


FIG.3

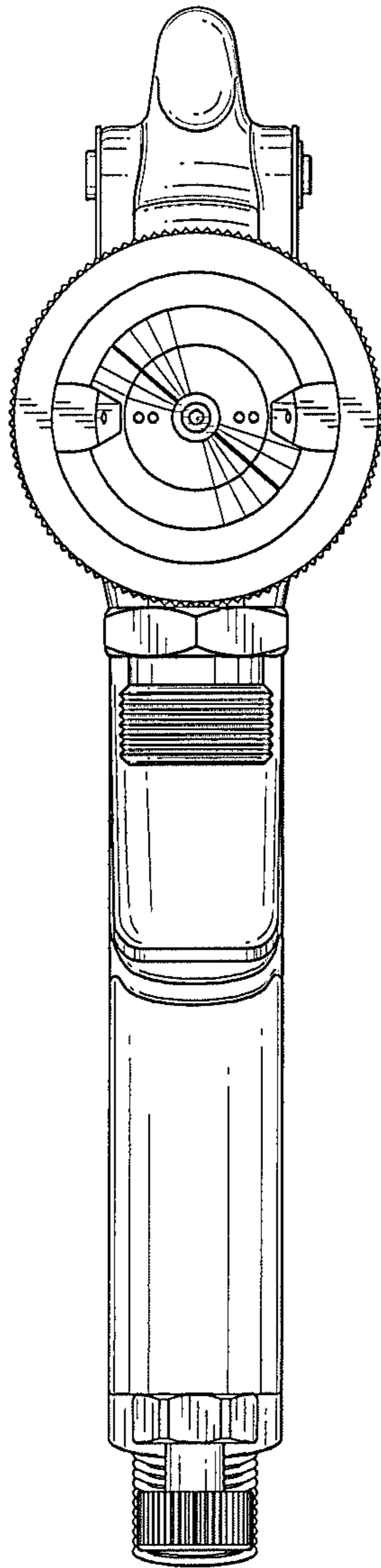


FIG.4

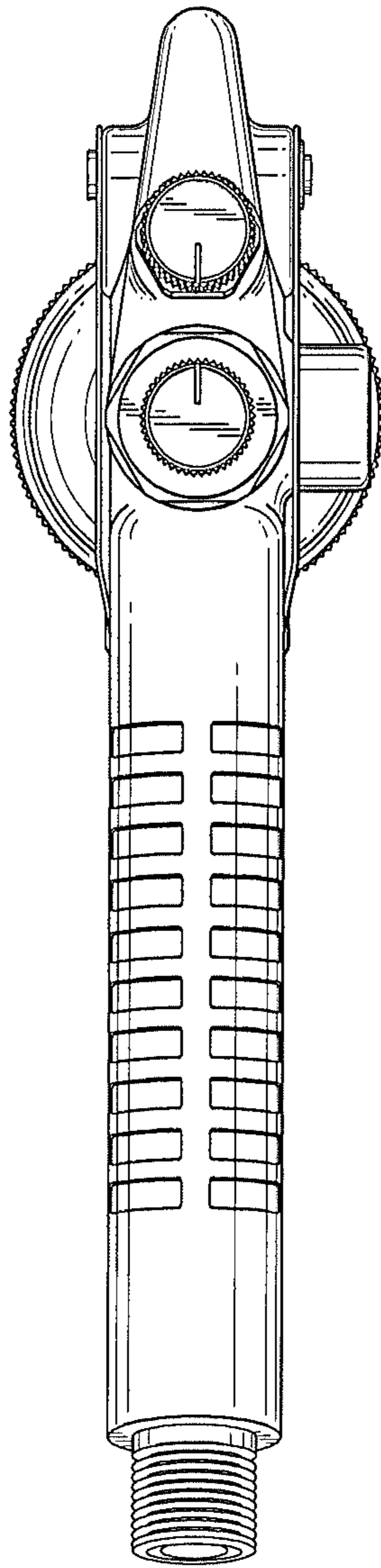


FIG.5

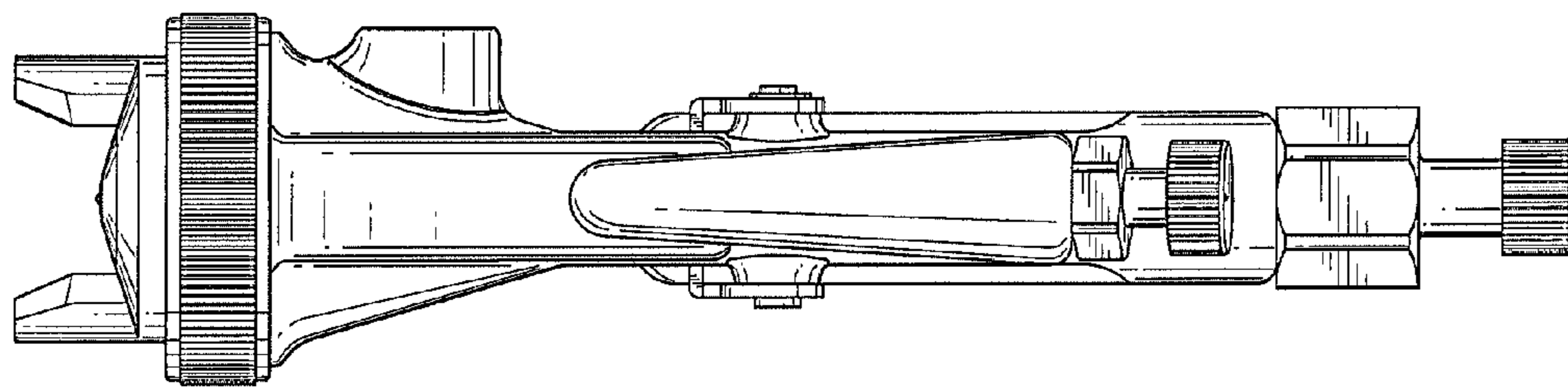


FIG.6

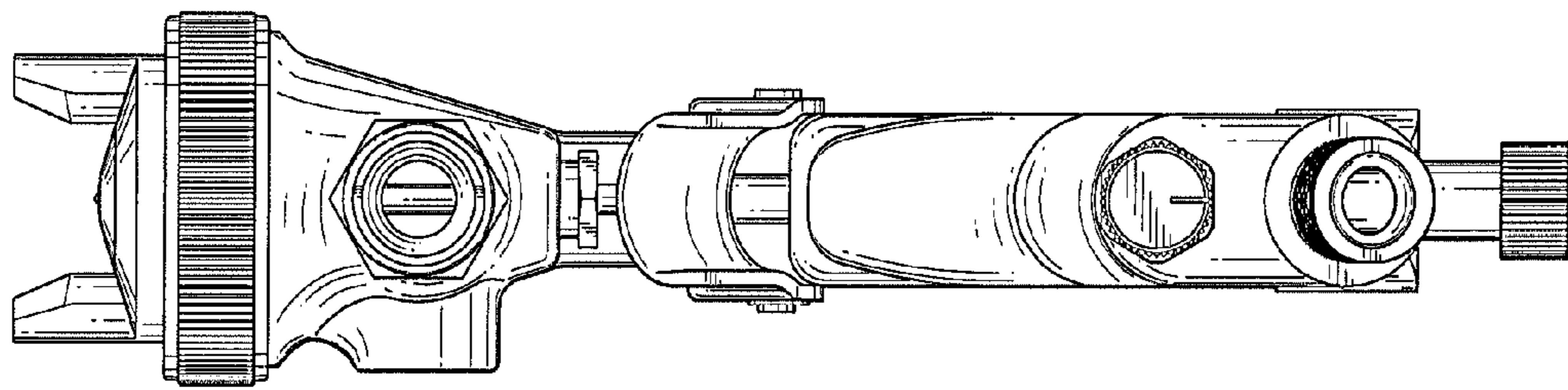


FIG. 7