



US00D734425S

(12) **United States Design Patent**
Gilliam

(10) **Patent No.:** **US D734,425 S**

(45) **Date of Patent:** **** Jul. 14, 2015**

(54) **GASOLINE CONTAINER WITH BOTTOM RECESSED HANDLE**

(71) Applicant: **Michael Gilliam**, Lake Jackson, TX (US)

(72) Inventor: **Michael Gilliam**, Lake Jackson, TX (US)

(**) Term: **14 Years**

(21) Appl. No.: **29/468,528**

(22) Filed: **Oct. 1, 2013**

(51) **LOC (10) Cl.** **09-01**

(52) **U.S. Cl.**
USPC **D23/211.2**

(58) **Field of Classification Search**
USPC D9/434, 435, 452-454, 516, 523, 531, D9/535, 561, 763-783; 215/381-385; 220/660, 669, 675; D23/211.1, 211.2; D12/218

CPC B65D 1/00; B65D 1/02; B65D 1/12; B65D 1/14; B65D 1/40; B65D 1/44; B65D 1/023; B65D 1/0223; B65D 1/165; B65D 1/238; B65D 1/246; B65D 1/253; B65D 7/04; B65D 21/0209; B65D 21/0233; B65D 25/00; B65D 25/28; B65D 41/0457; B65D 41/17; B65D 53/06; B65D 75/56; B65D 79/005; B65D 2501/0036; B65D 2543/00064; B65D 2543/00074; B65D 2543/00083; B65D 2543/00092; B65D 2543/00101; B65D 2543/00111

See application file for complete search history.

(56) **References Cited**

U.S. PATENT DOCUMENTS

| | | | | |
|-----------|------|---------|------------------|-----------------|
| 1,331,409 | A | 2/1920 | Barnett | |
| 3,214,052 | A | 10/1965 | Dike | |
| D209,176 | S * | 11/1967 | Neubauer | D9/528 |
| 3,746,200 | A | 7/1973 | Flider | |
| D372,871 | S * | 8/1996 | Thiermann et al. | D23/211.1 |
| D376,540 | S * | 12/1996 | Boumil | D23/211.2 |
| 6,352,167 | B1 * | 3/2002 | Yu | 220/522 |
| D608,855 | S * | 1/2010 | Hatch et al. | D23/211.1 |
| D636,056 | S * | 4/2011 | Pritchard | D23/211.1 |
| 8,701,929 | B1 * | 4/2014 | Long et al. | 220/729 |
| D721,976 | S * | 2/2015 | Cornelius et al. | D9/652 |

* cited by examiner

Primary Examiner — Keli L Hill

(74) *Attorney, Agent, or Firm* — Crossley Patent Law

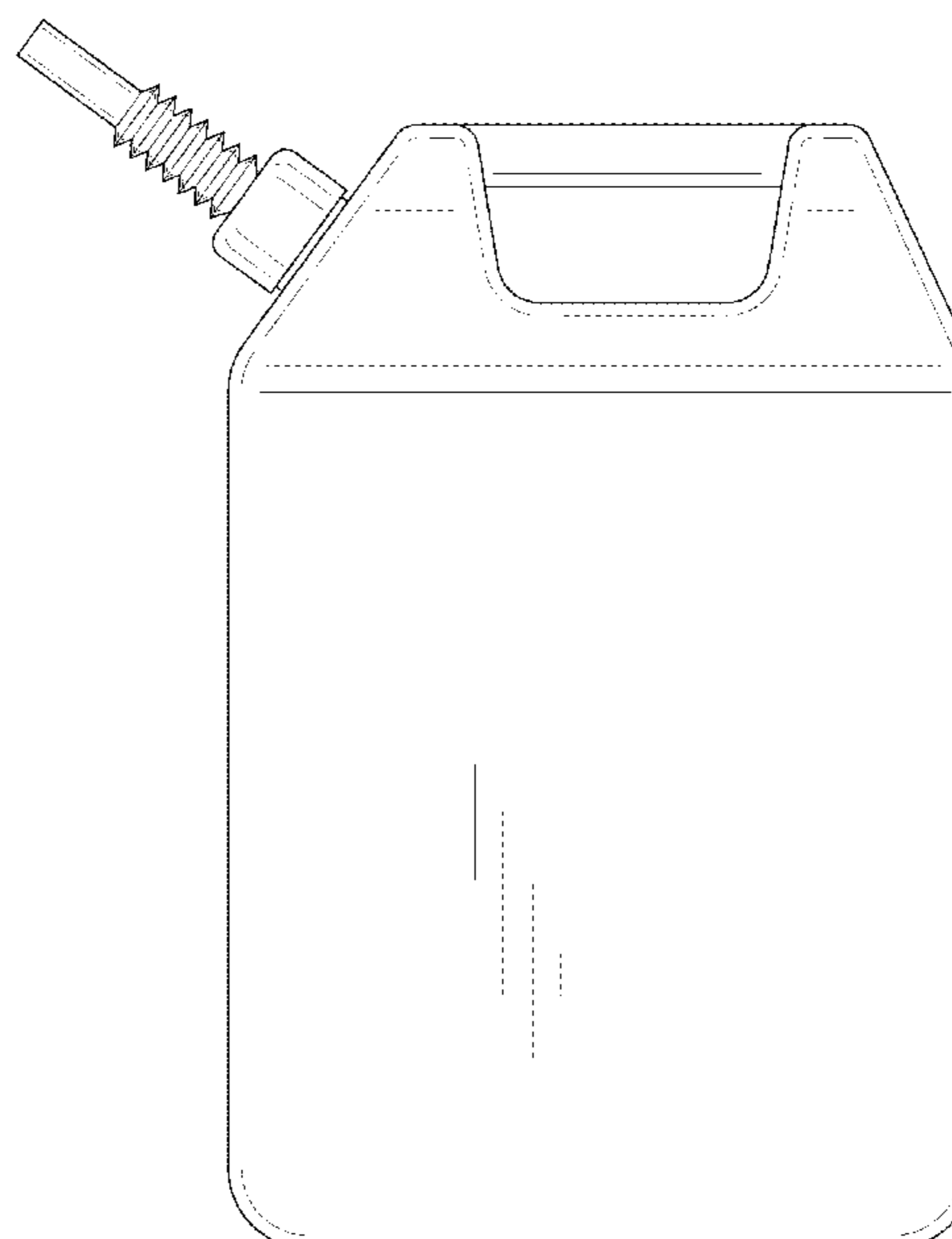
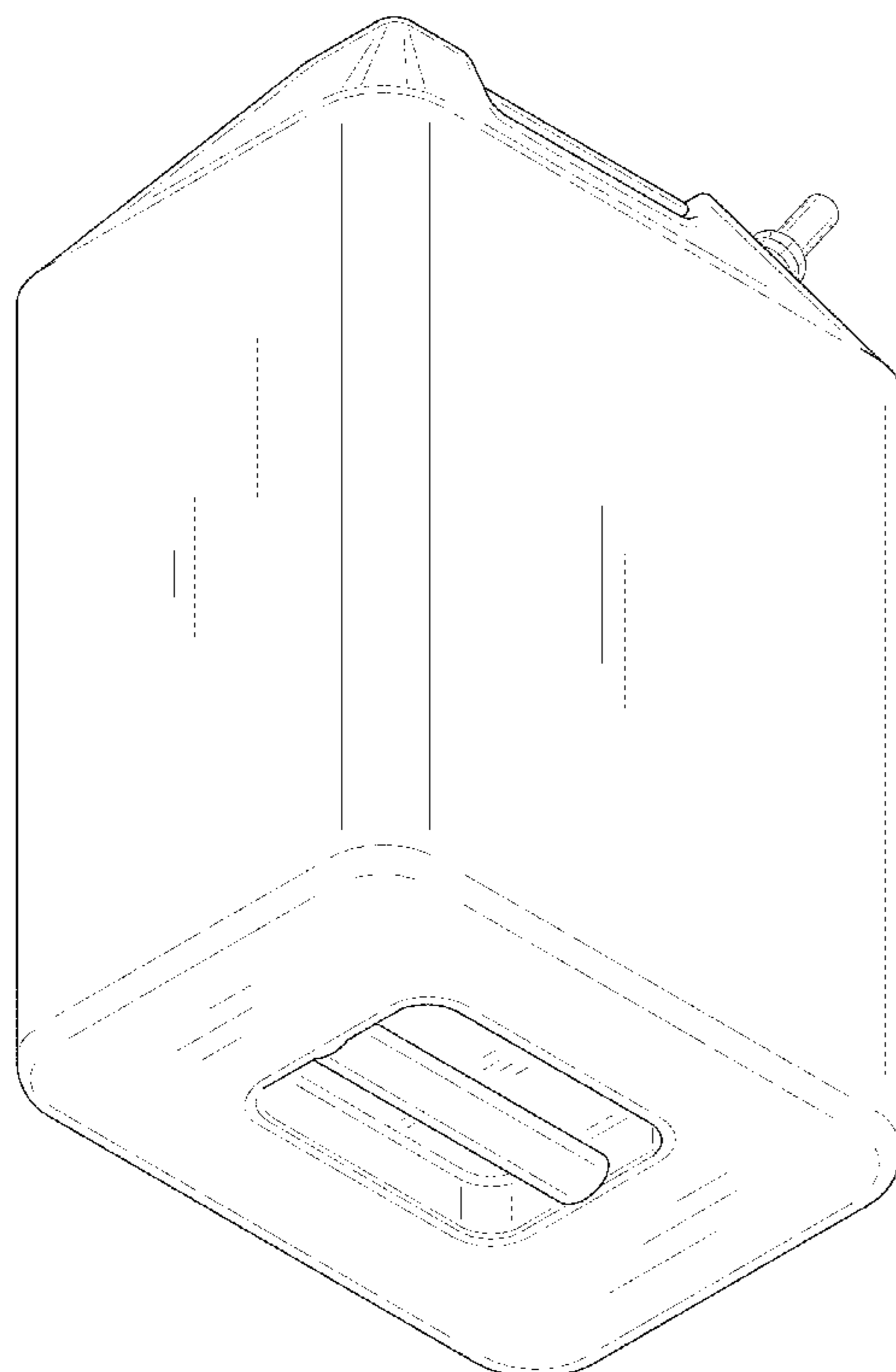
(57) **CLAIM**

The ornamental design for a gasoline container with bottom recessed handle, as shown and described.

DESCRIPTION

FIG. 1 is an isometric view of a gasoline container with bottom recessed handle showing my new design; FIG. 2 is a right side elevation view thereof, the opposite side being a mirror image of the shown; FIG. 3 is a front elevation thereof; FIG. 4 is a rear elevation view thereof; FIG. 5 is a top plan view thereof; and, FIG. 6 is bottom plan view thereof.

1 Claim, 5 Drawing Sheets



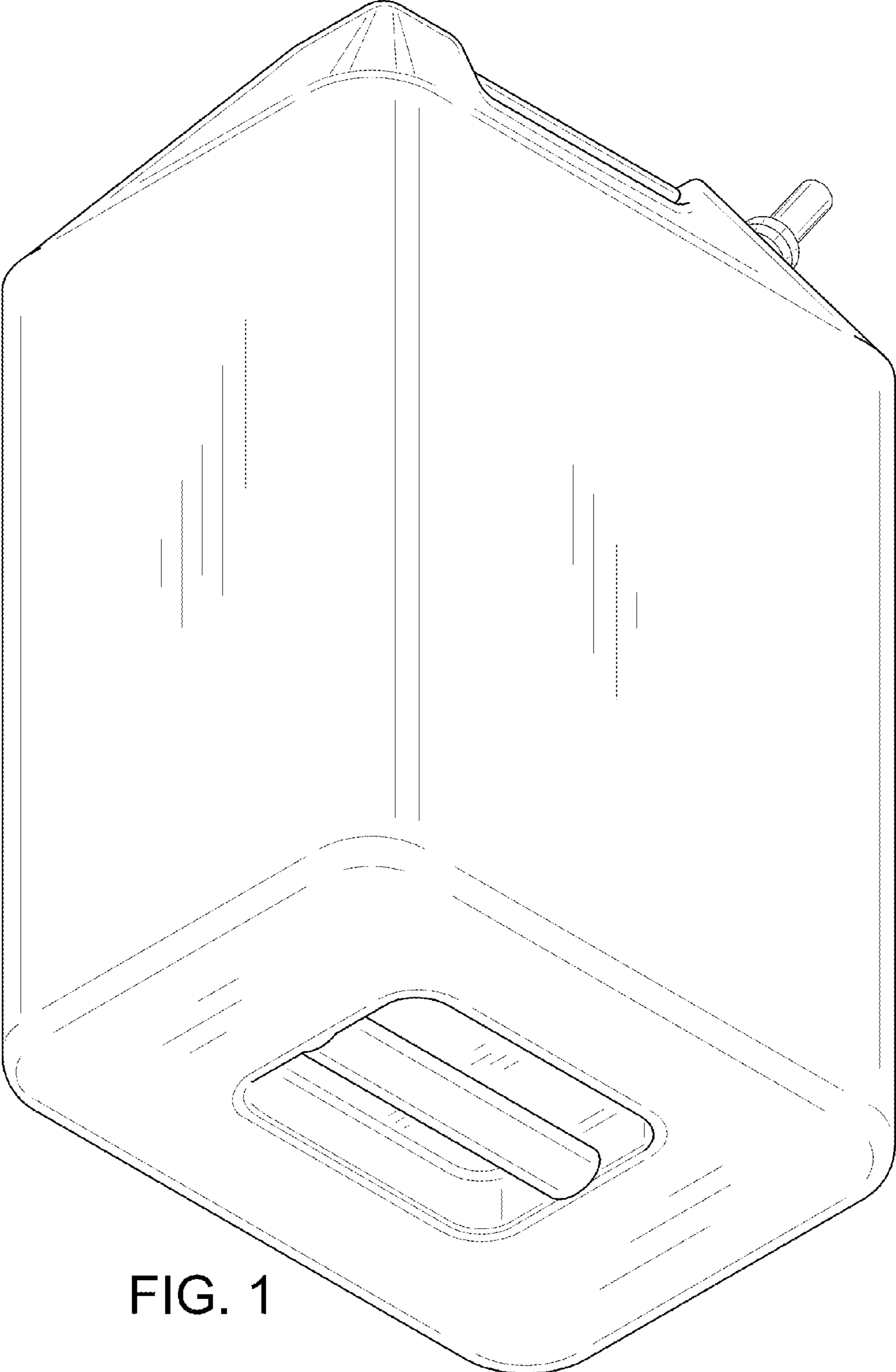


FIG. 1

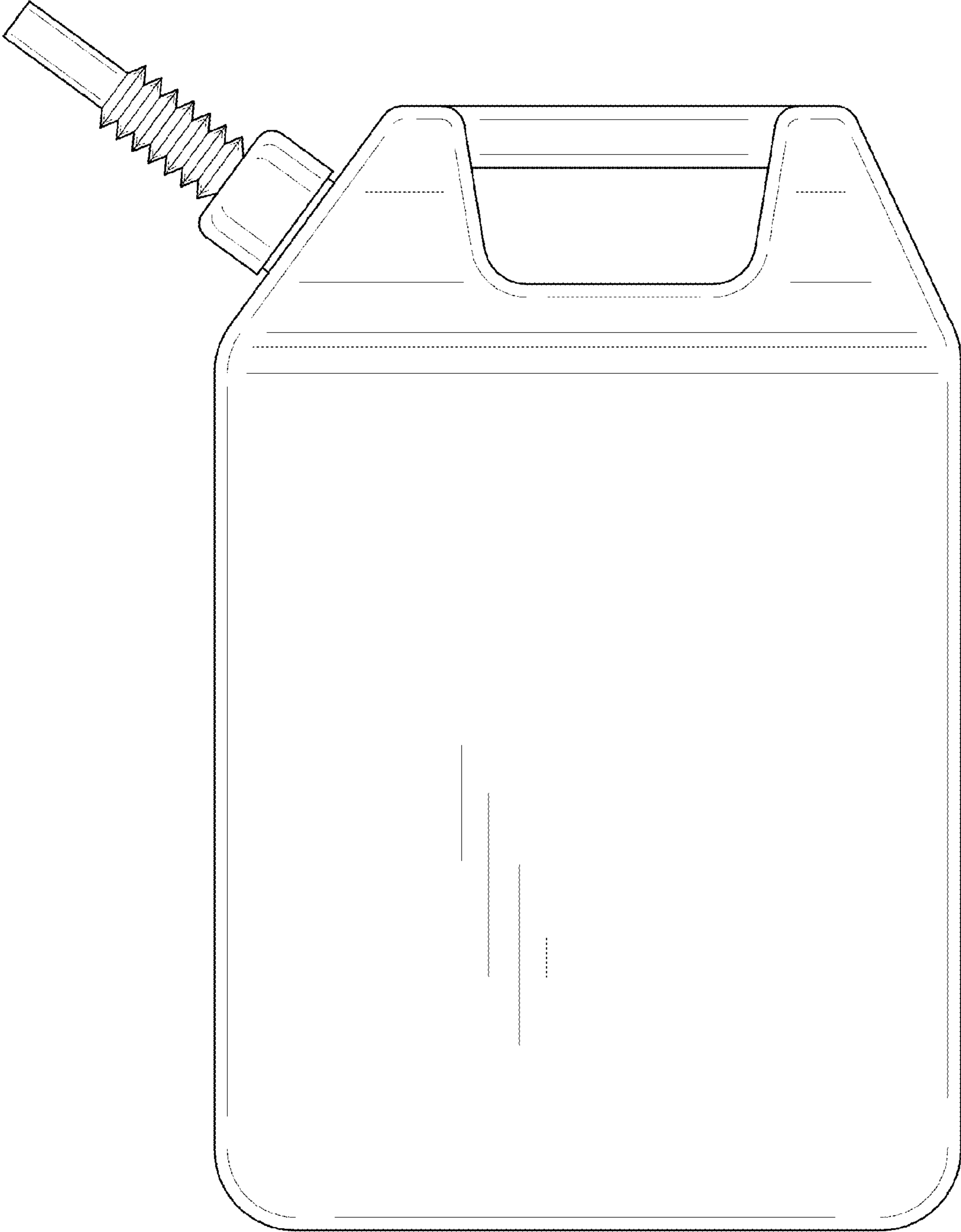


FIG. 2

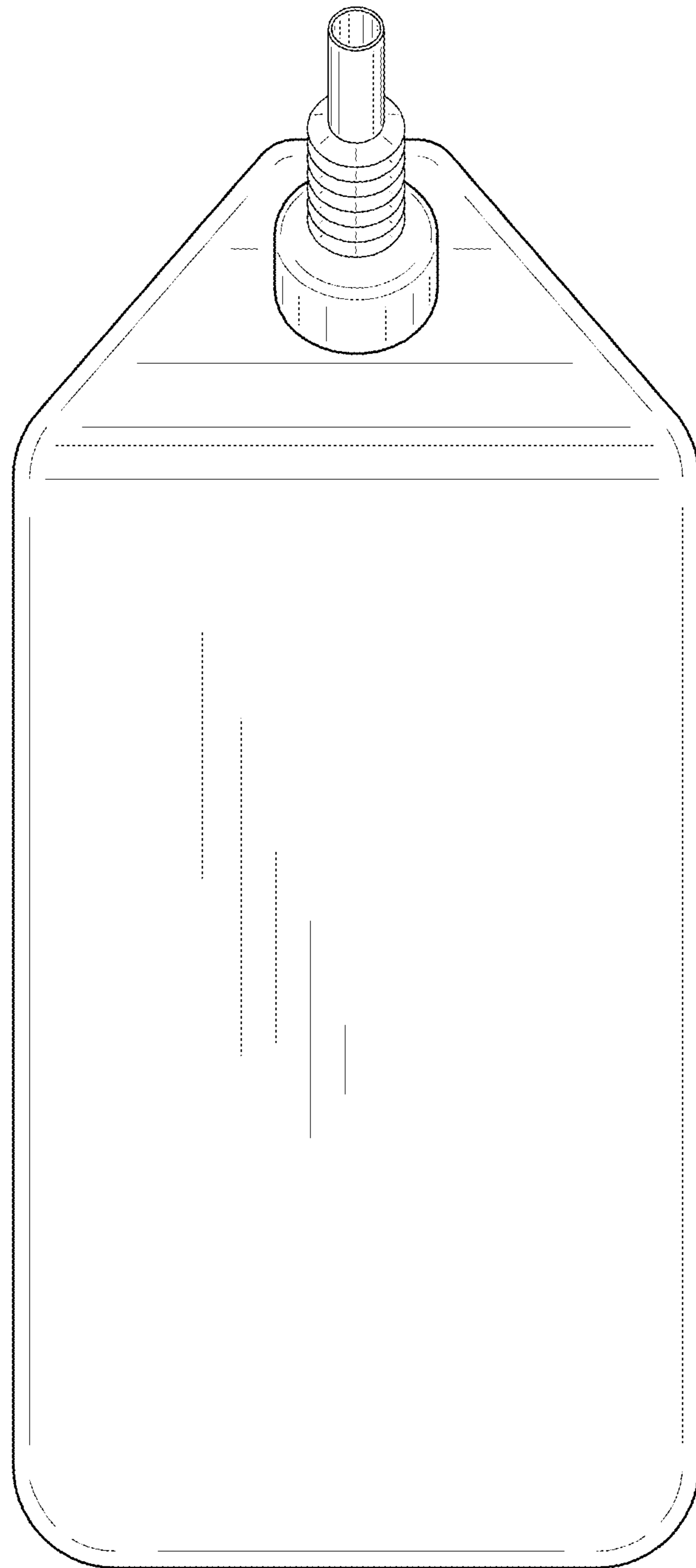


FIG. 3

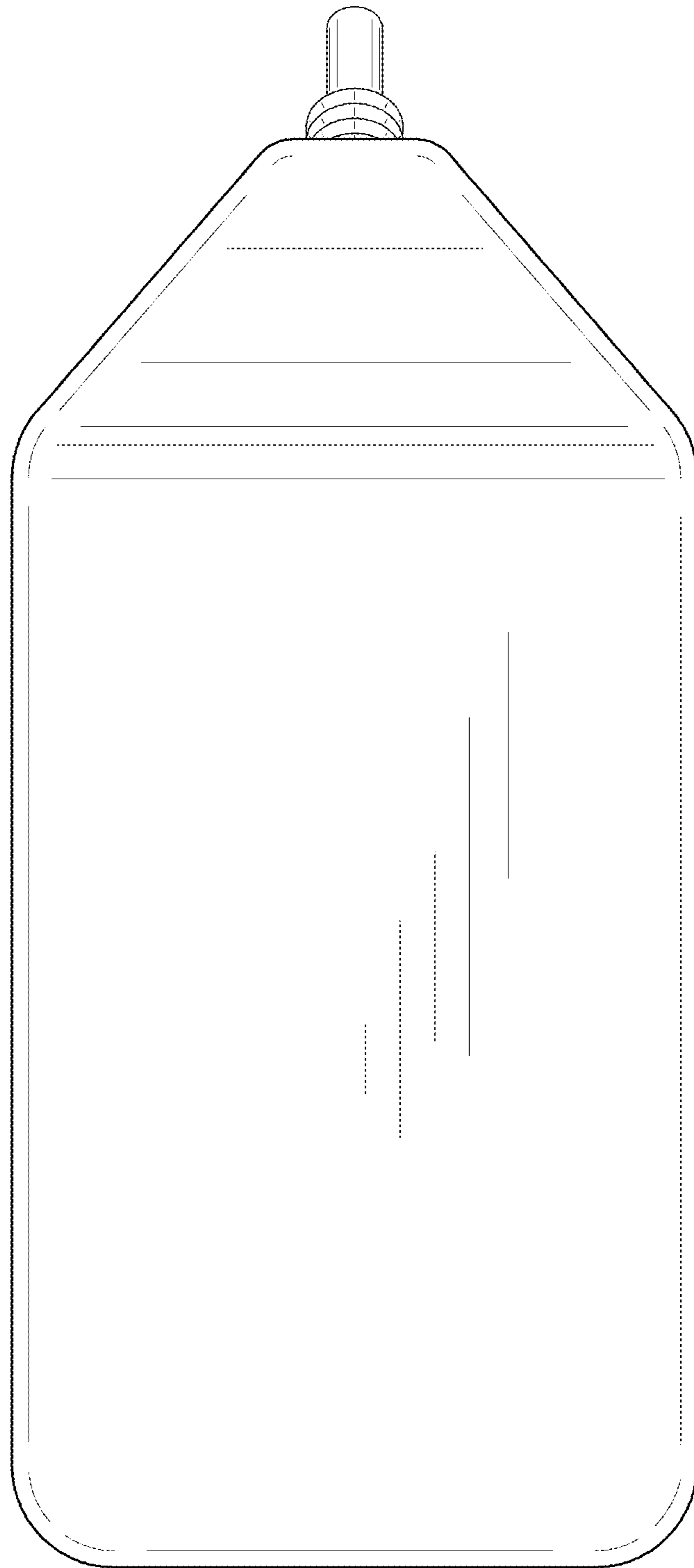


FIG. 4

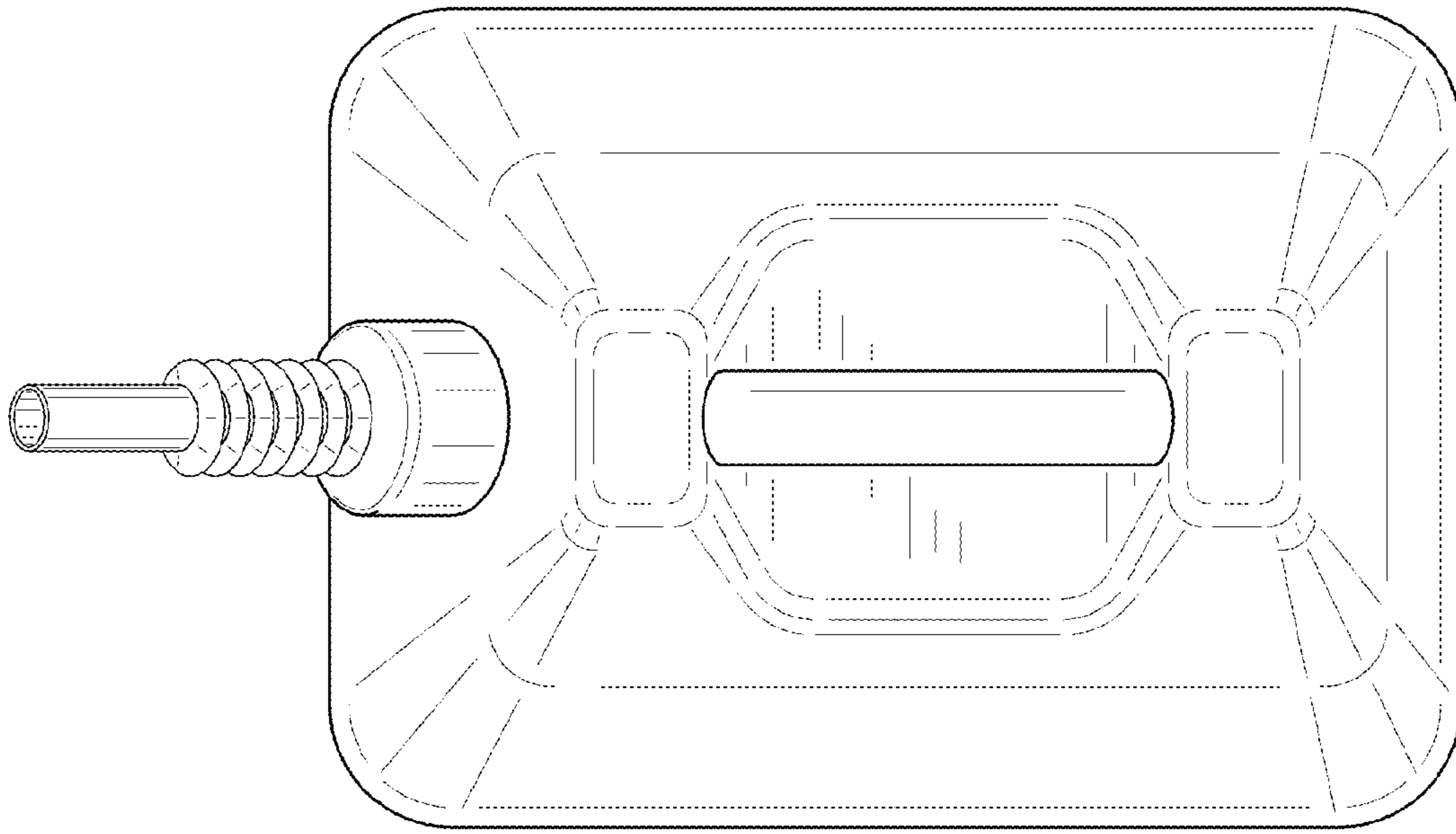


FIG. 5

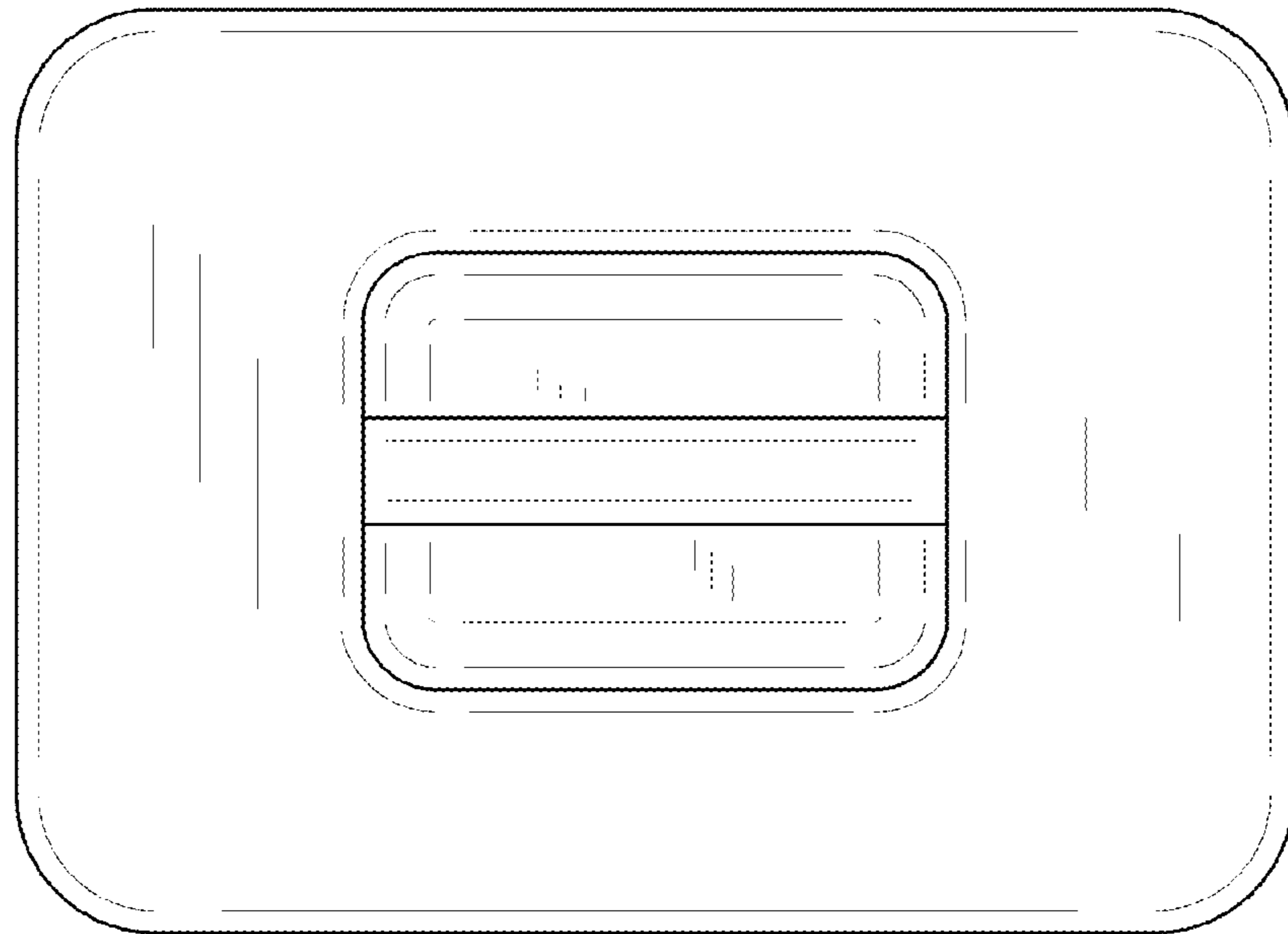


FIG. 6