

US00D734423S

(12) **United States Design Patent**
Borland et al.

(10) **Patent No.:** **US D734,423 S**

(45) **Date of Patent:** **** Jul. 14, 2015**

(54) **RIGID PULL TAB**

D718,834 S * 12/2014 Mayberry et al. D22/108

(71) Applicant: **S & S Precision, LLC**, Virginia Beach,
VA (US)

* cited by examiner

(72) Inventors: **Andrew C. Borland**, Virginia Beach, VA
(US); **Johnny E. Swan**, Virginia Beach,
VA (US); **William-Joseph Basan**
Elizalde, Virginia Beach, VA (US)

Primary Examiner — Catheri Oliver-Garcia

(74) *Attorney, Agent, or Firm* — Kilpatrick Townsend &
Stockton LLP

(73) Assignee: **S & S Precision, LLC**, Virginia Beach,
VA (US)

(57) **CLAIM**

The ornamental design for a rigid pull tab, as shown and
described.

(**) Term: **14 Years**

DESCRIPTION

(21) Appl. No.: **29/451,525**

(22) Filed: **Apr. 3, 2013**

(51) **LOC (10) Cl.** **22-99**

(52) **U.S. Cl.**
USPC **D22/199**

(58) **Field of Classification Search**
USPC D22/199, 108; 42/11, 49.01, 50, 87, 90,
42/6-7, 71.02; 224/196, 242, 245, 668,
224/675, 931; 24/3.7; 89/197
See application file for complete search history.

FIG. 1 is a front perspective view of a first embodiment of a
rigid pull tab showing our new design;
FIG. 2 is a front elevational view thereof;
FIG. 3 is a rear elevational view thereof;
FIG. 4 is a right side elevational view thereof;
FIG. 5 is a left side elevational view thereof
FIG. 6 is a top plan view thereof;
FIG. 7 is a bottom plan view thereof;
FIG. 8 is a front perspective view of a second embodiment of
a rigid pull tab showing further aspects of our new design;
FIG. 9 is a front elevational view thereof;
FIG. 10 is a rear elevational view thereof;
FIG. 11 is a right side elevational view thereof;
FIG. 12 is a left side elevational view thereof
FIG. 13 is a top plan view thereof; and,
FIG. 14 is a bottom plan view thereof.

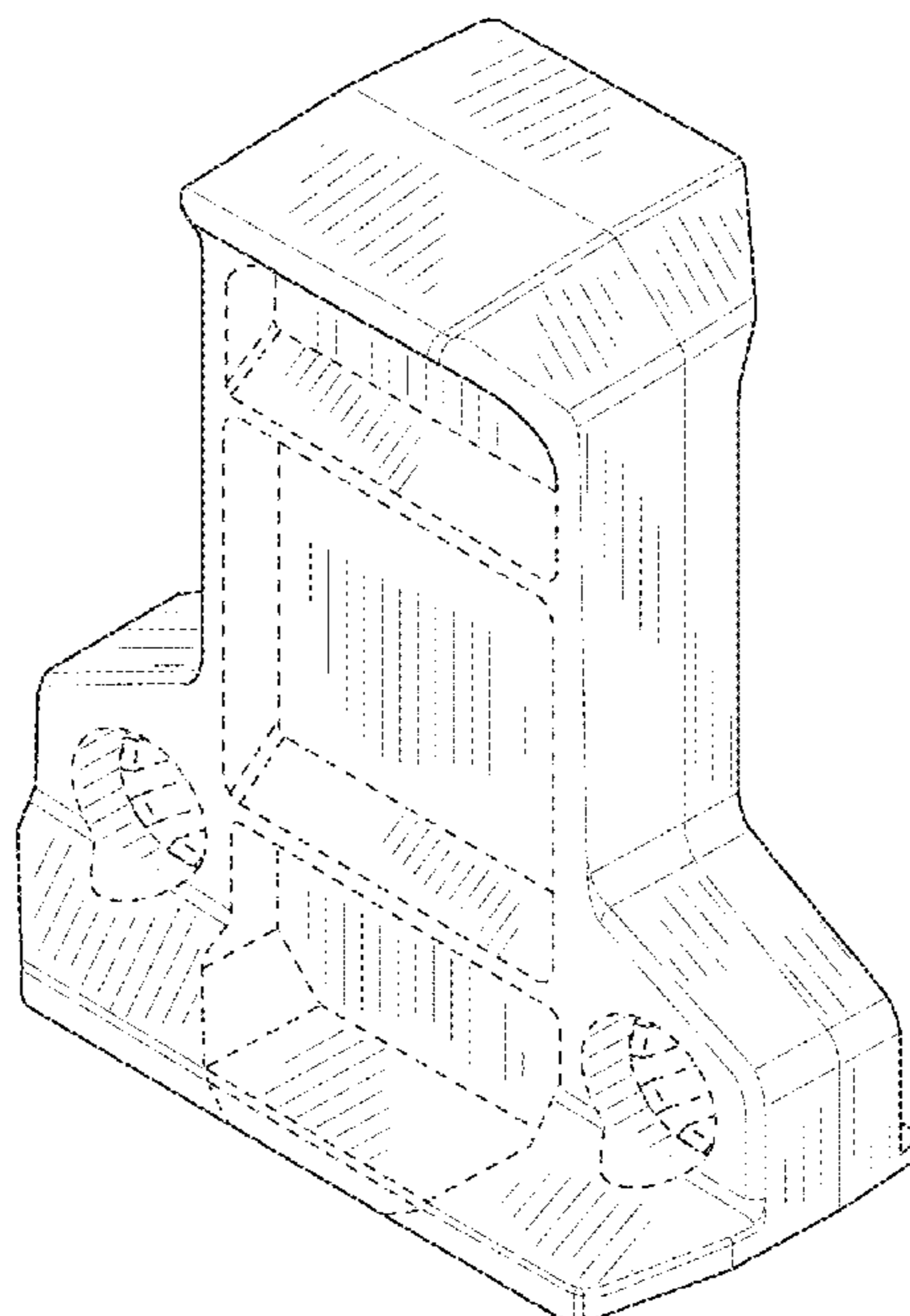
The broken line portions showing surface cavities and
through-holes in FIGS. 1-3, 6, and 8-10 and 7 are shown to
illustrate environment only and form no part of the claimed
design.

(56) **References Cited**

U.S. PATENT DOCUMENTS

7,117,622	B2 *	10/2006	Freed et al.	42/7
7,200,964	B2 *	4/2007	Gates	42/50
7,257,919	B1 *	8/2007	Farley	42/87
8,011,544	B1 *	9/2011	Howell	224/668
8,234,810	B2 *	8/2012	Lee, III	42/87
D706,895	S *	6/2014	Zayatz et al.	D22/108

1 Claim, 8 Drawing Sheets



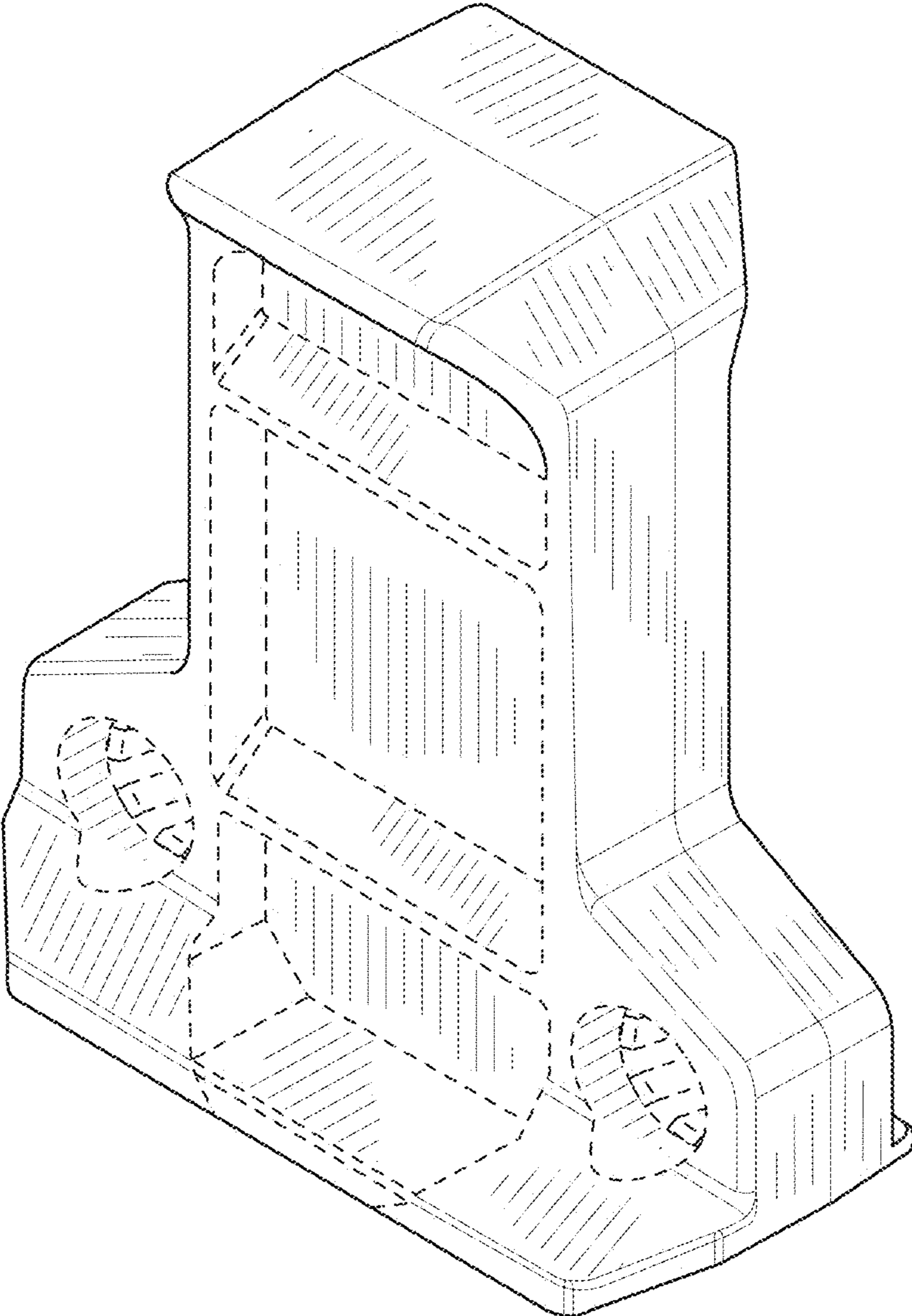


FIG. 1

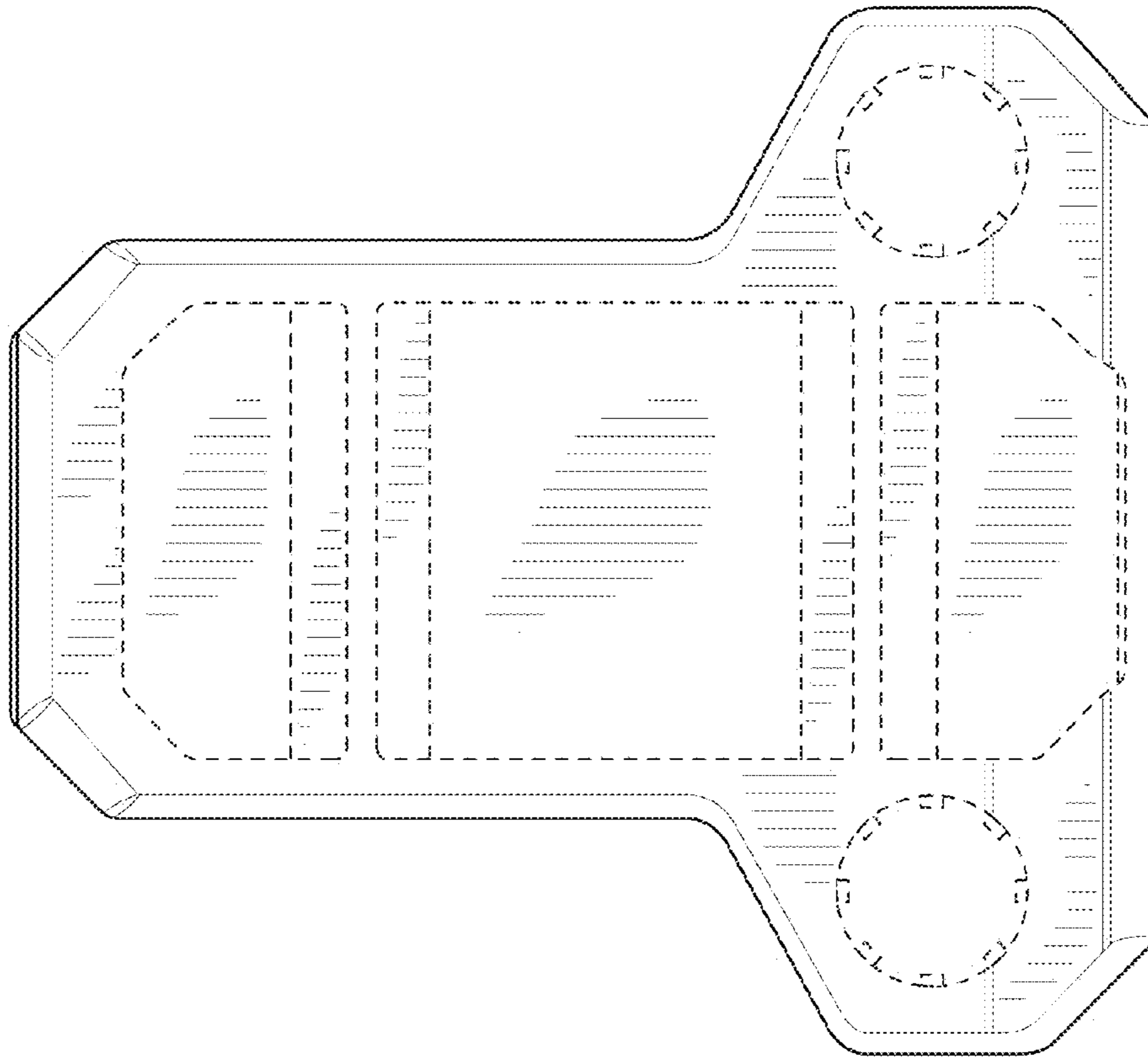


FIG. 2

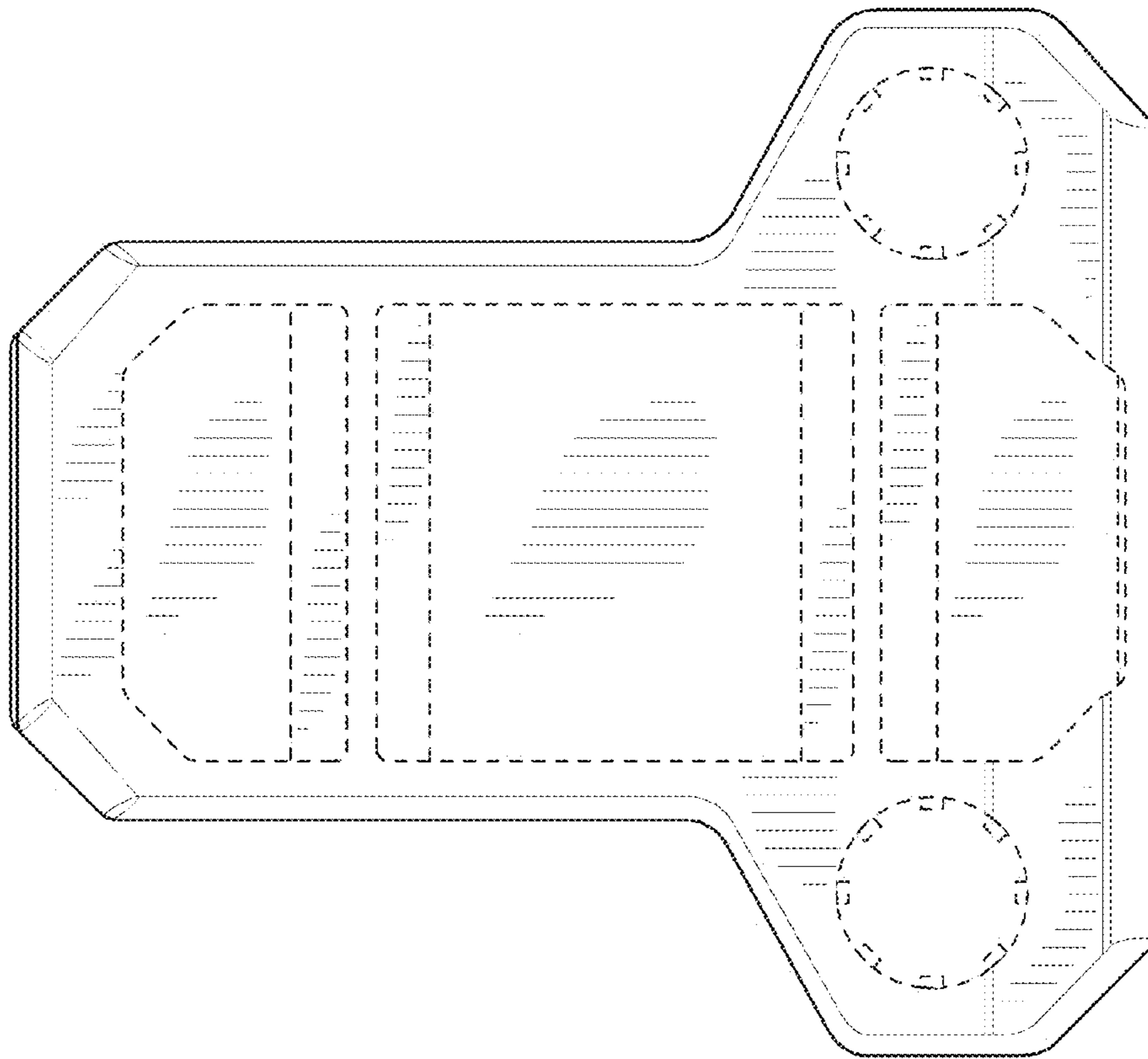


FIG. 3

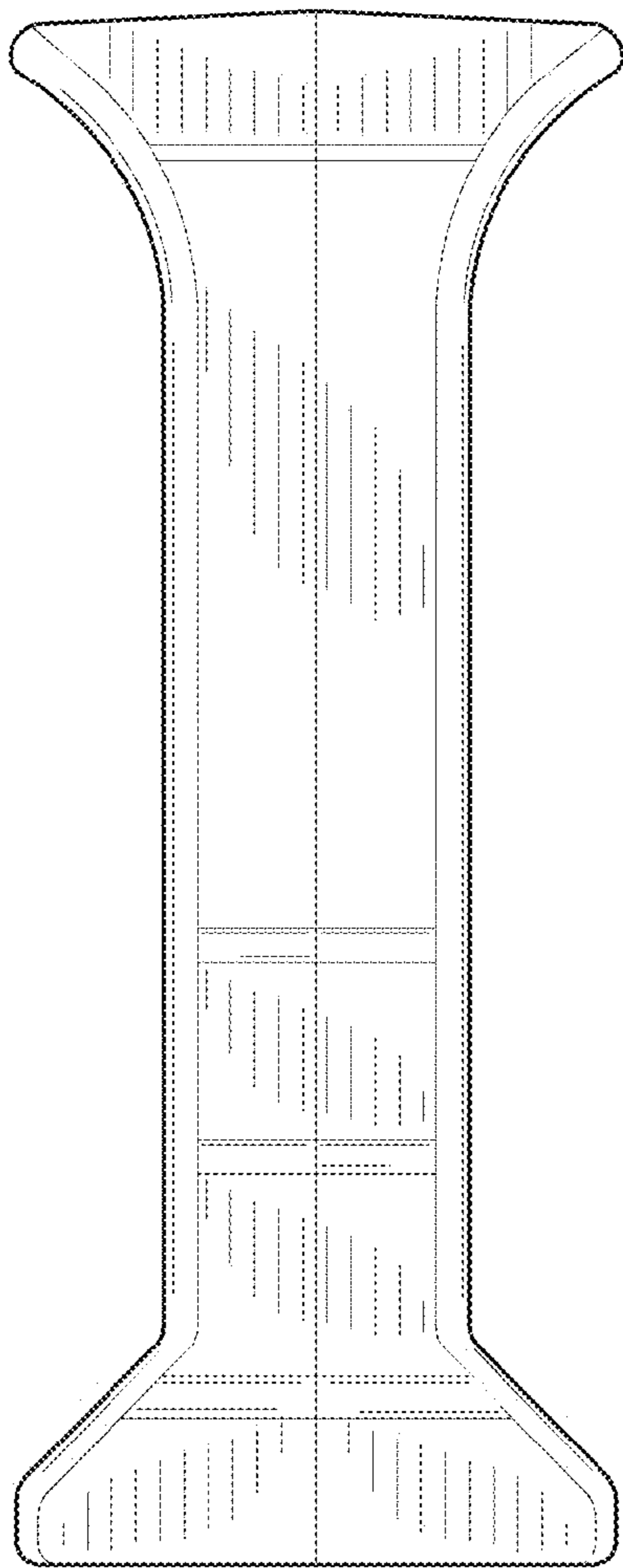


FIG. 4

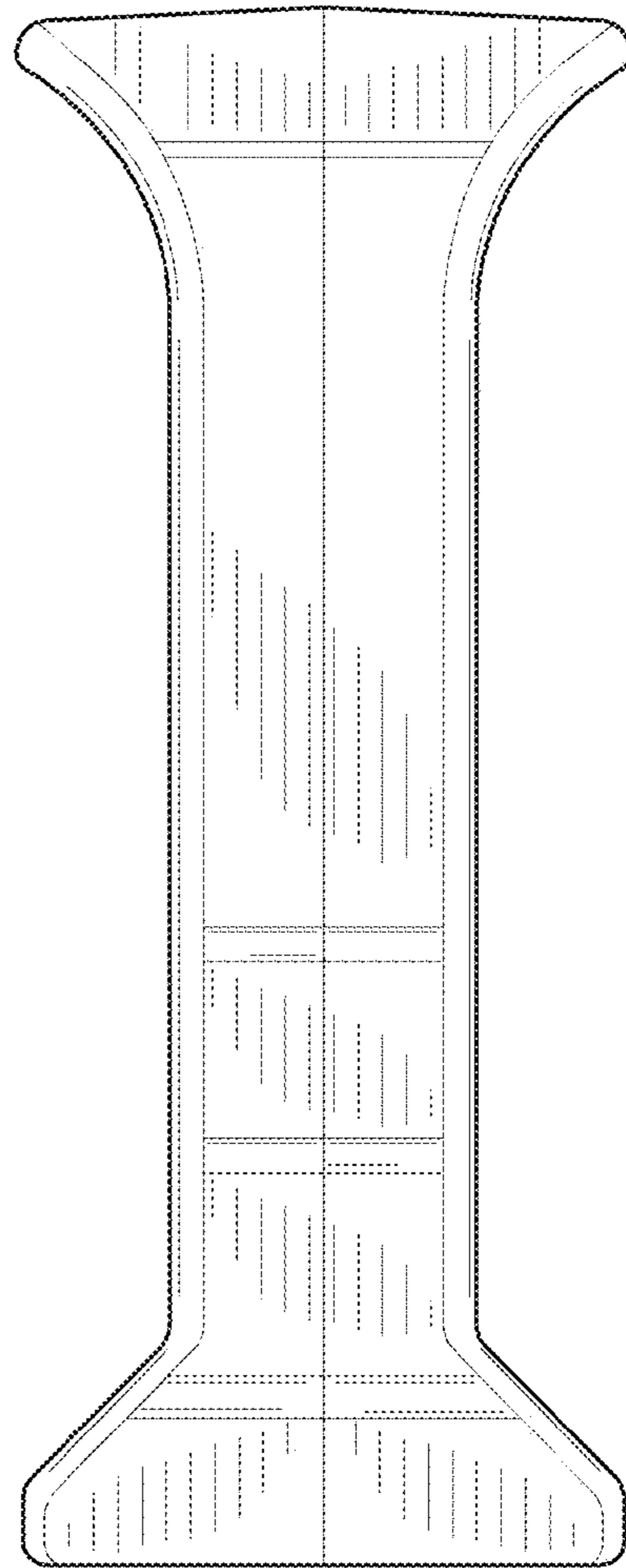


FIG. 5

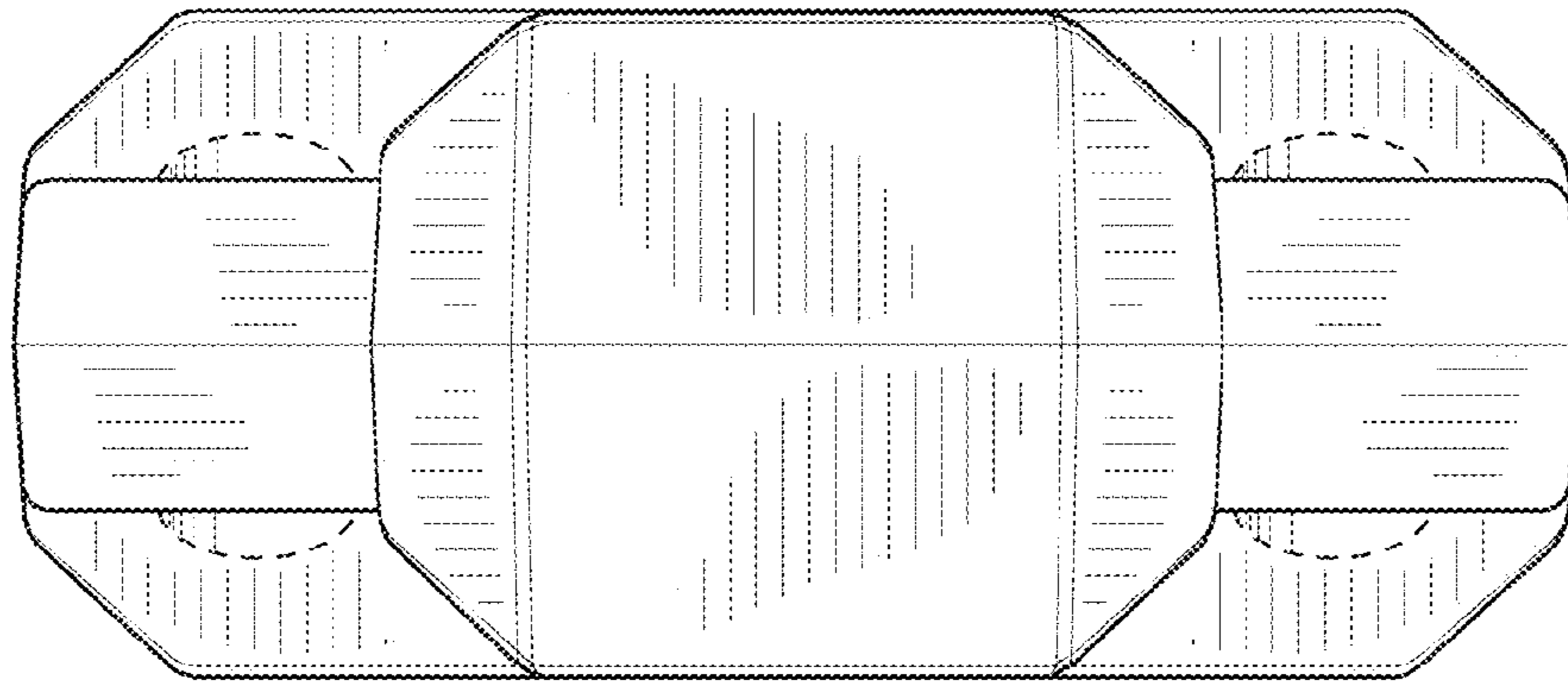


FIG. 6

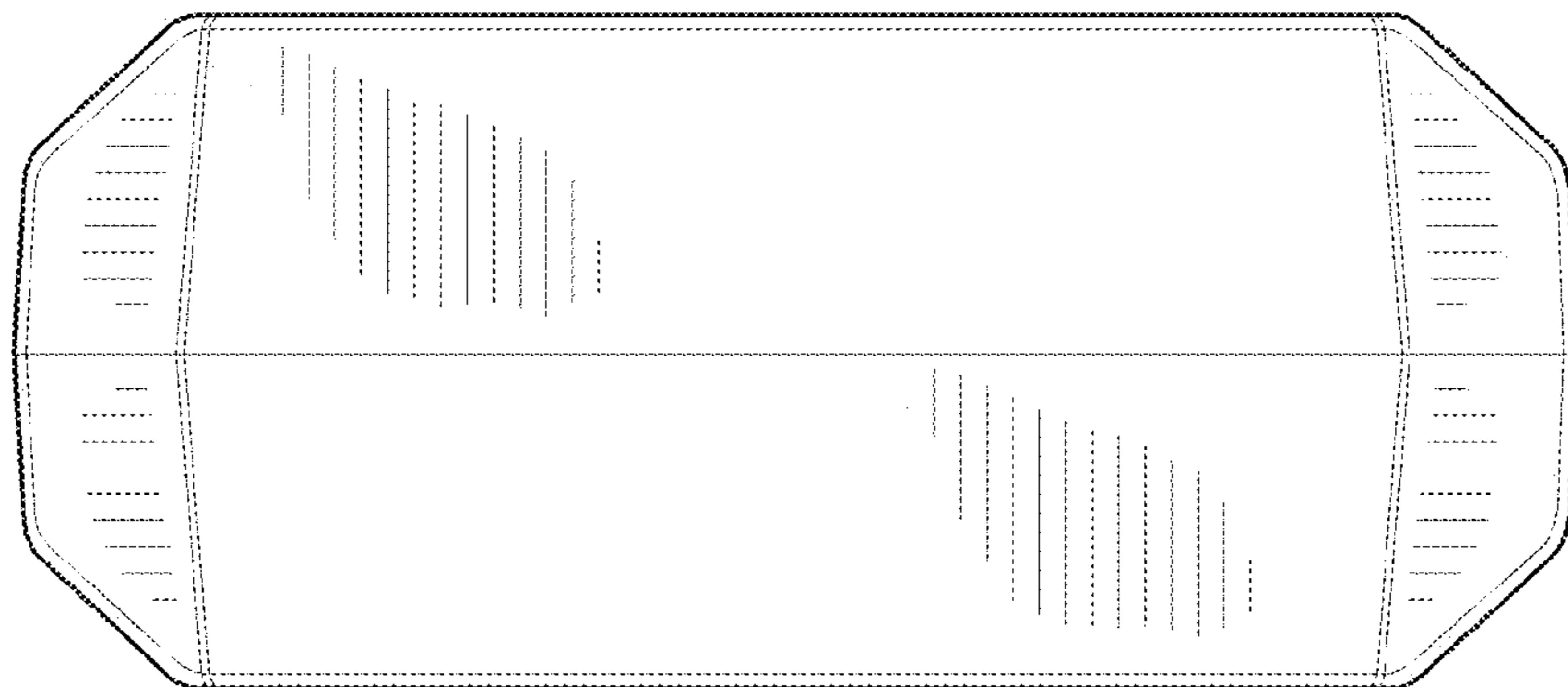


FIG. 7

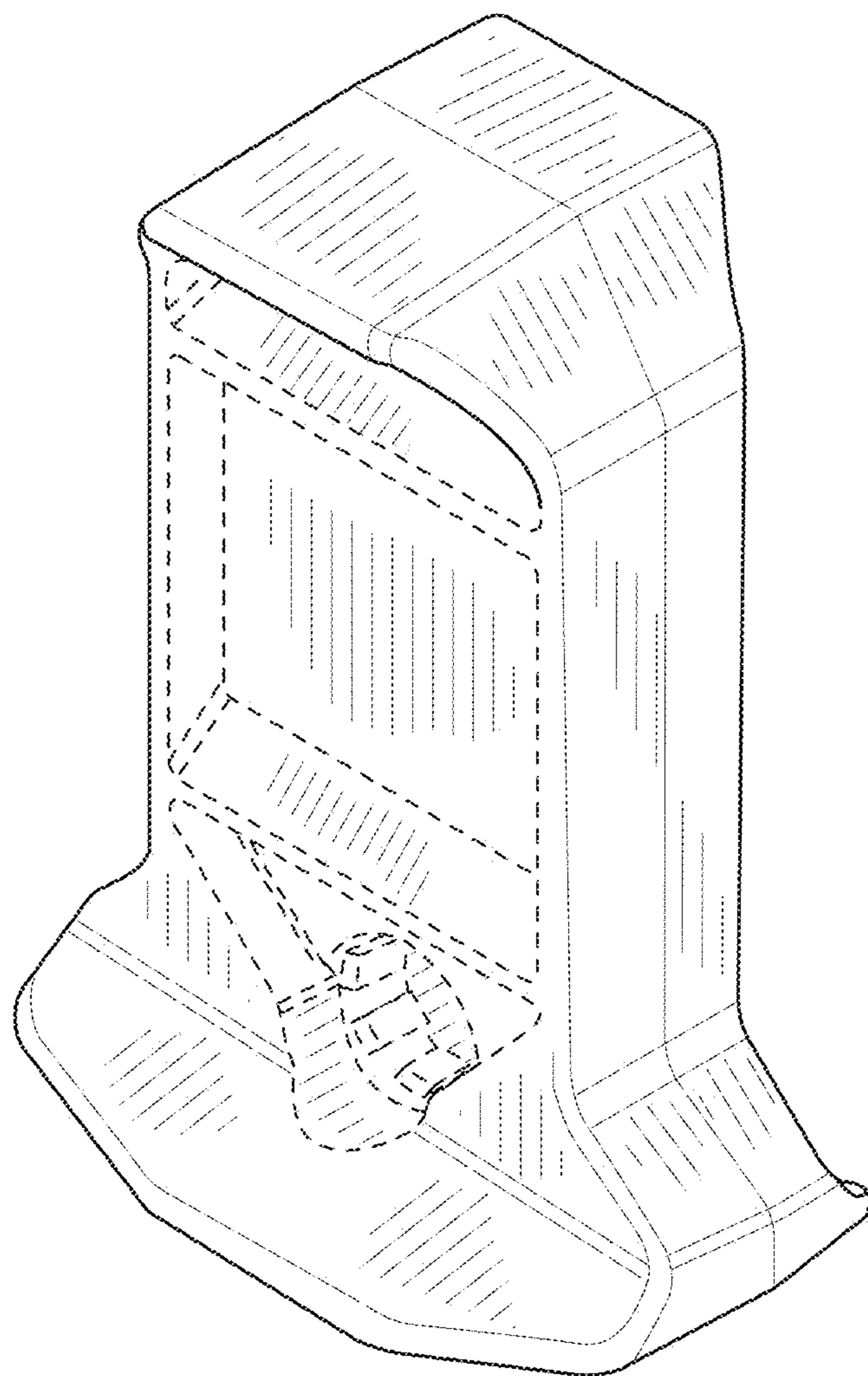


FIG. 8

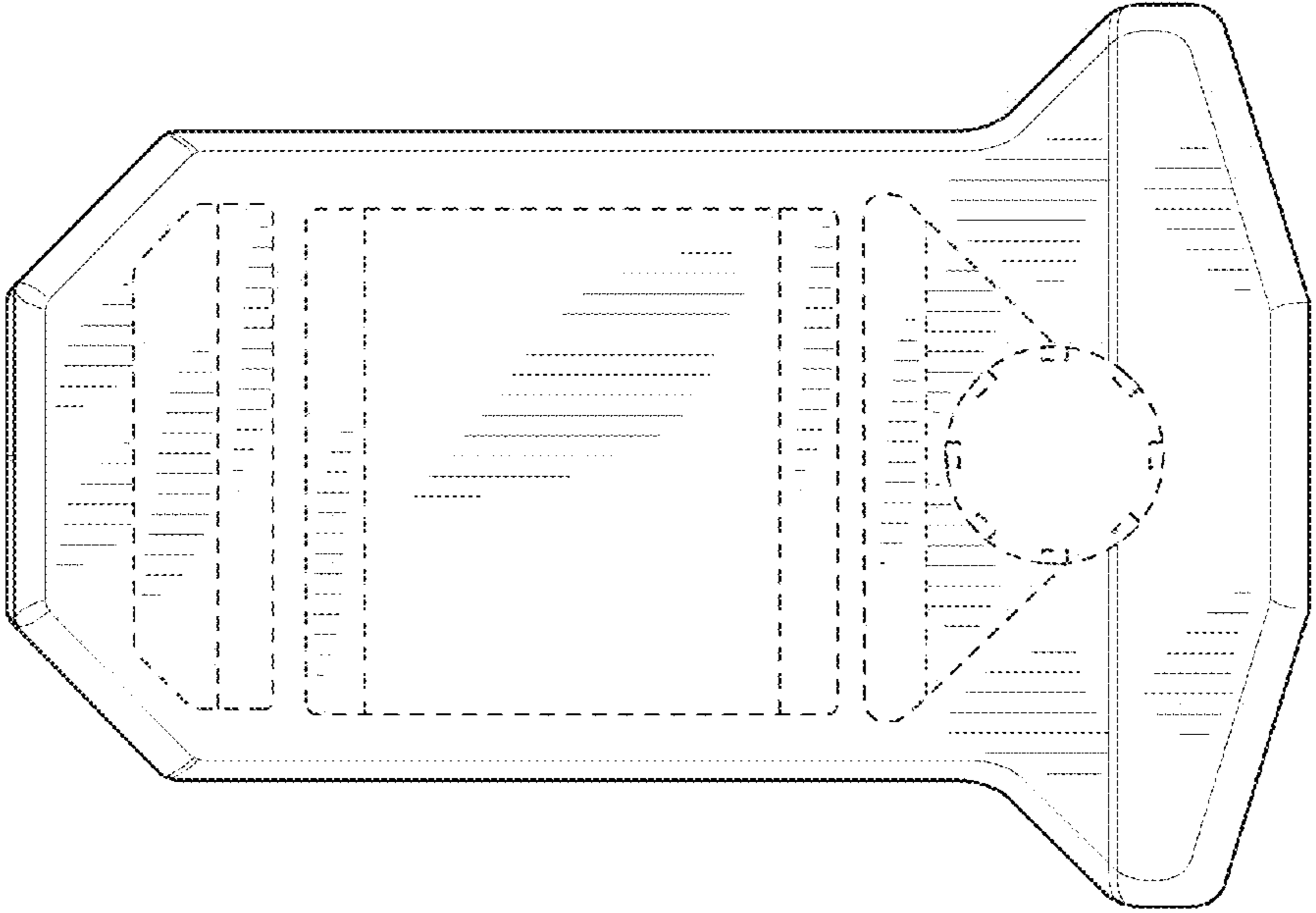


FIG. 9

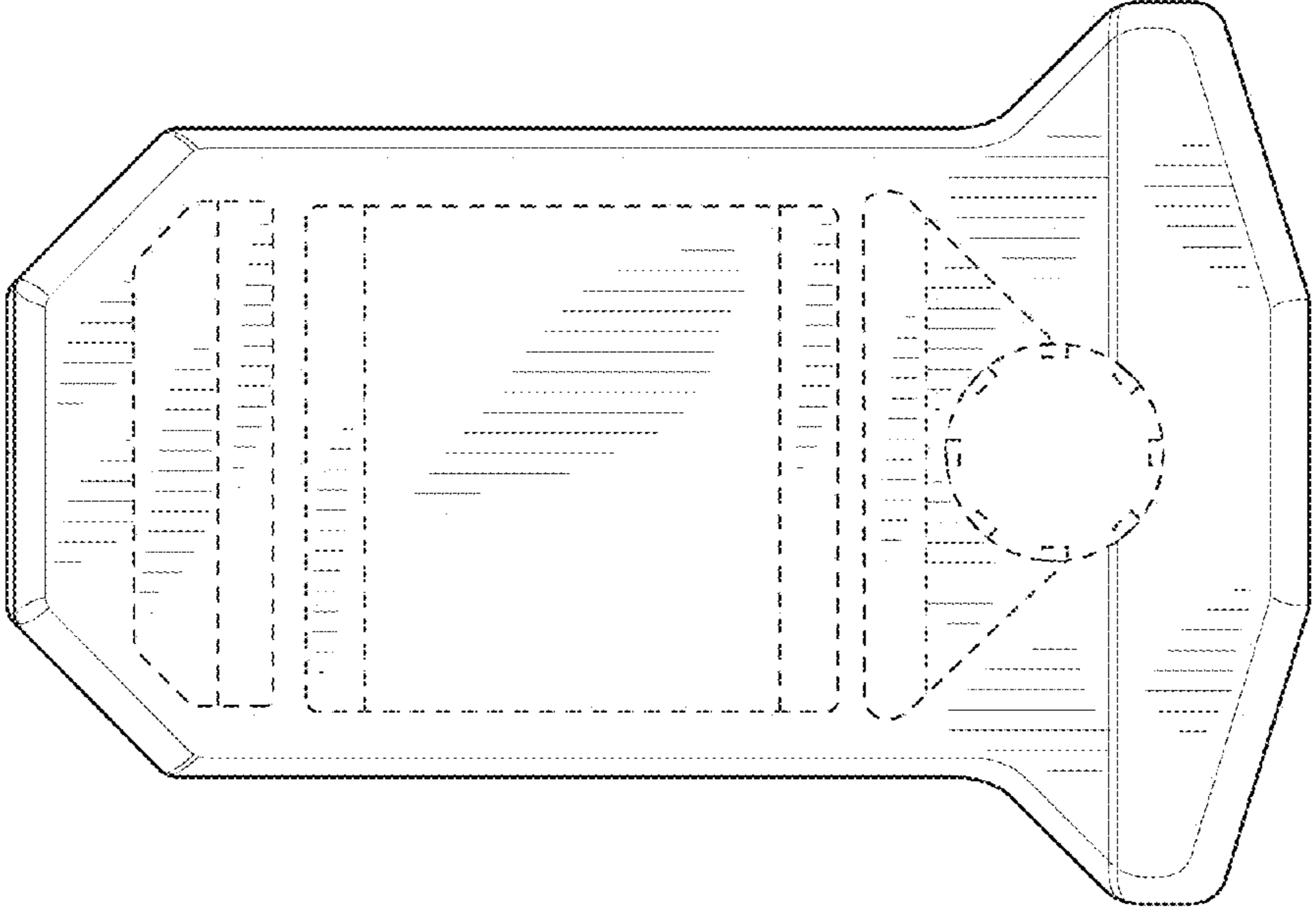


FIG. 10

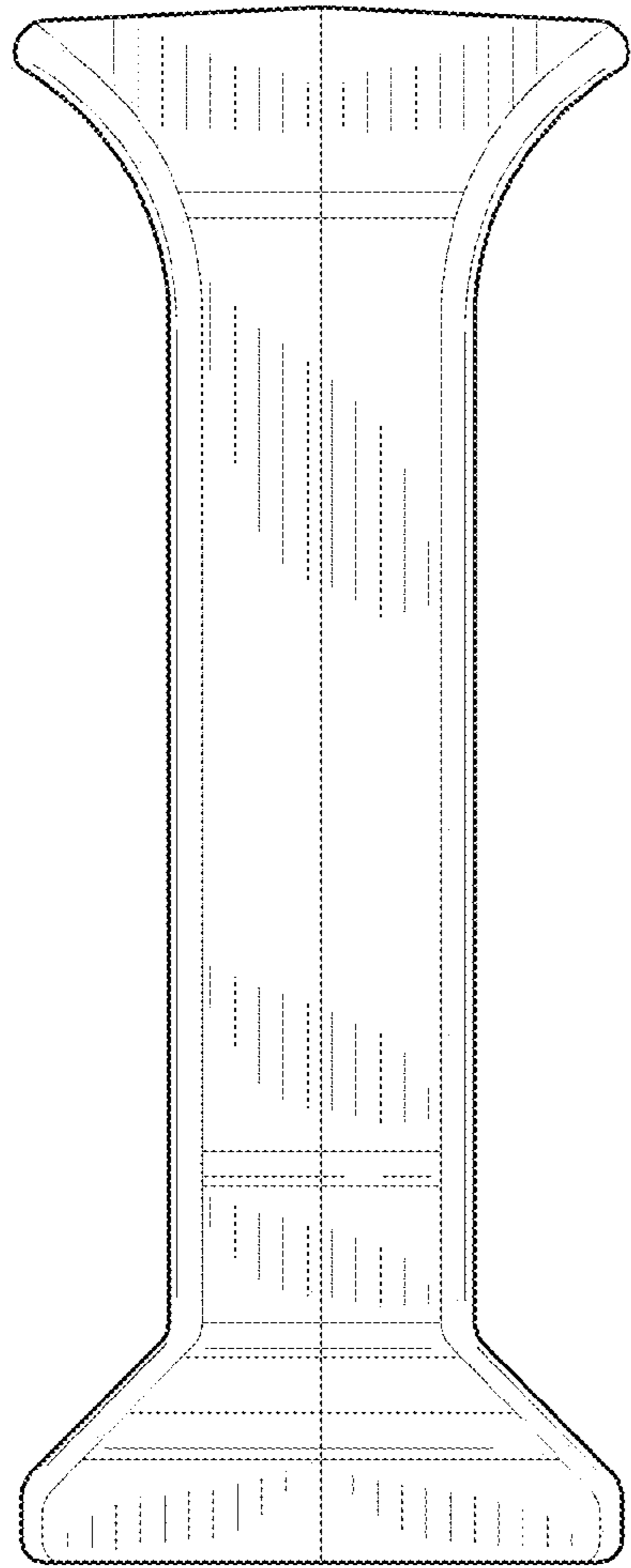


FIG. 11

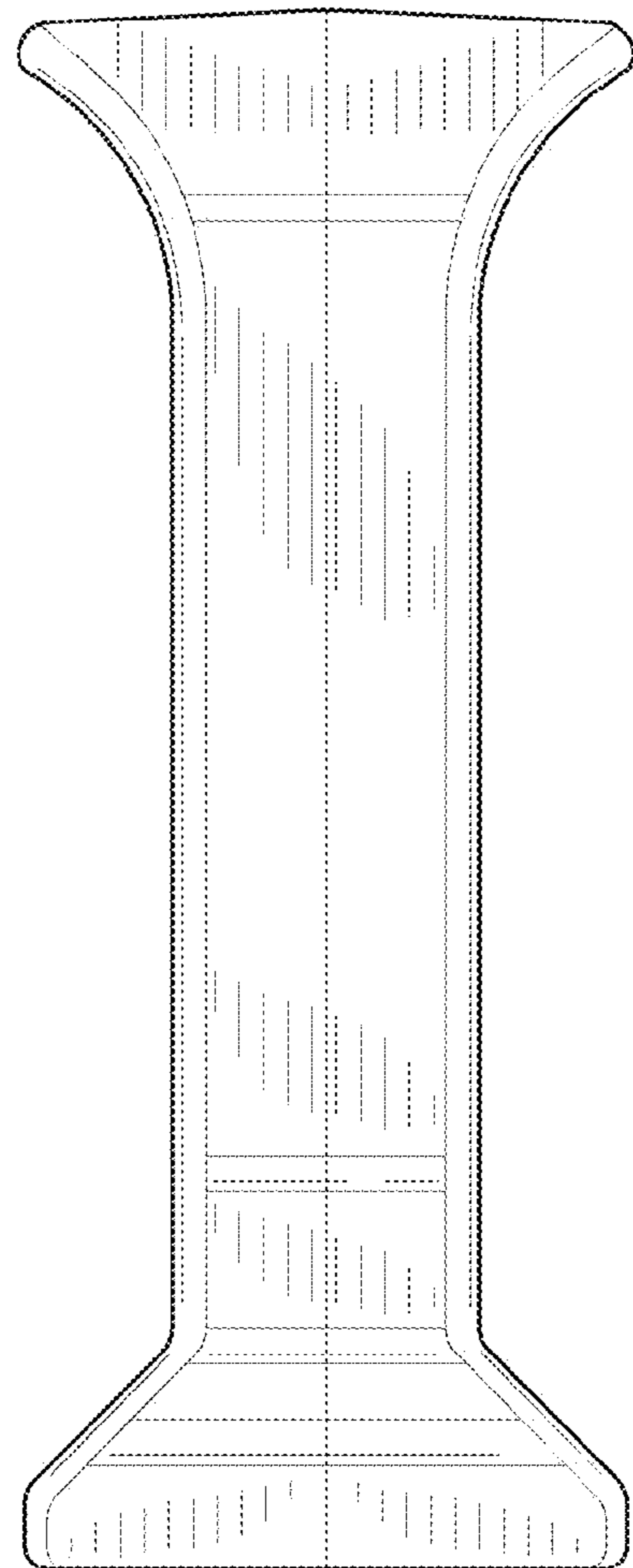


FIG. 12

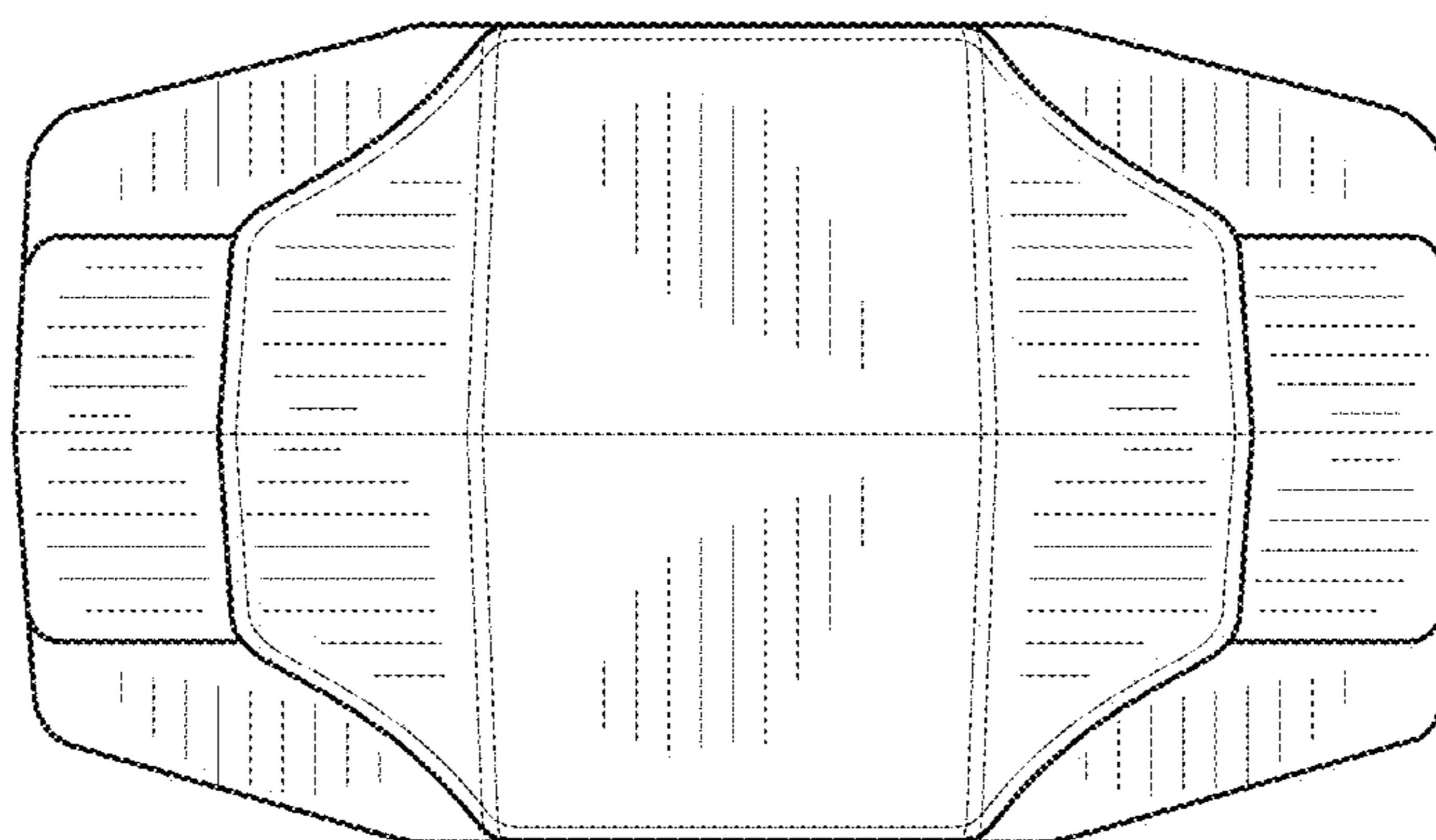


FIG. 13

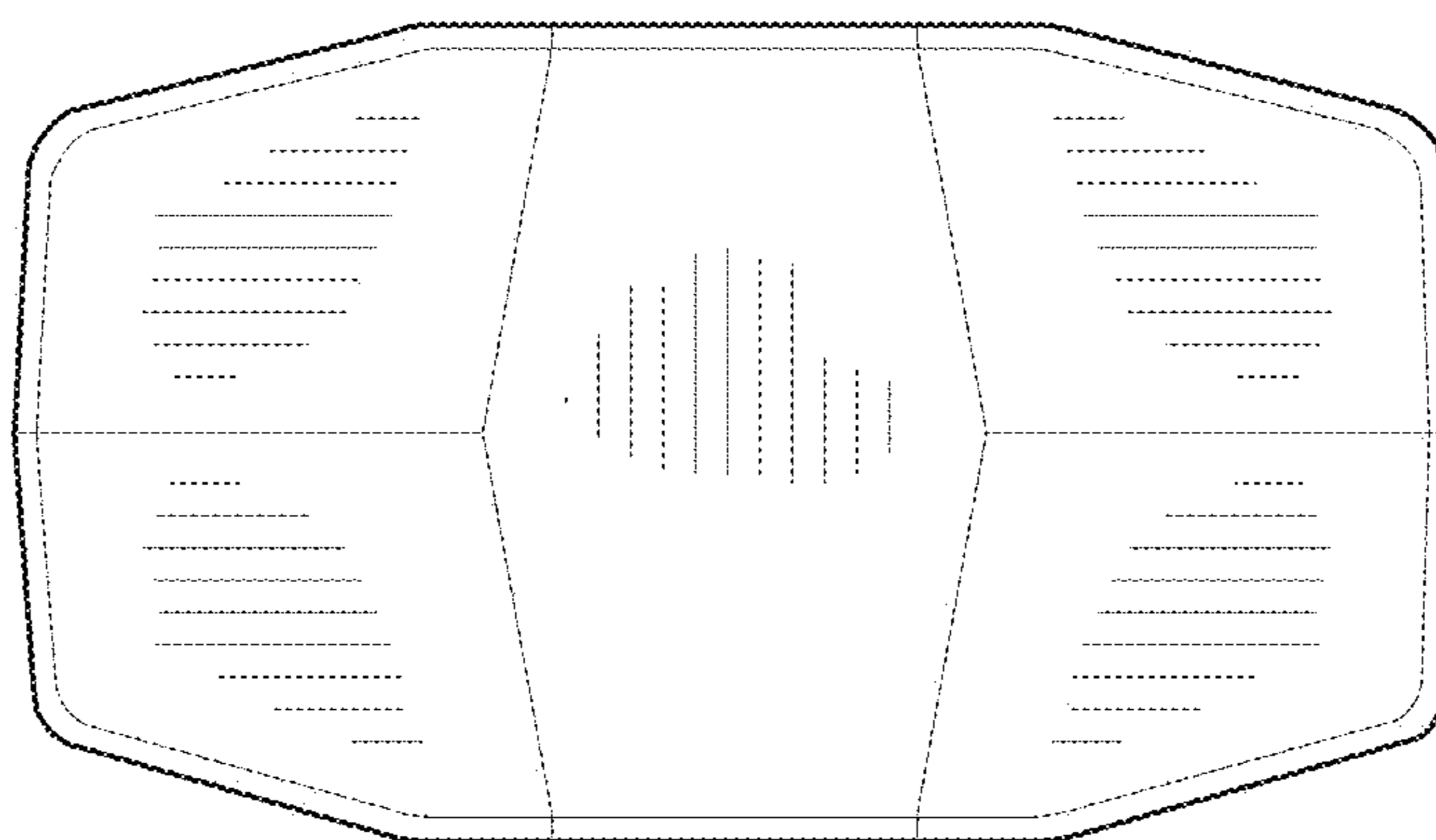


FIG. 14