



US00D734420S

(12) **United States Design Patent**  
**Zhang et al.**

(10) **Patent No.:** **US D734,420 S**  
(45) **Date of Patent:** **\*\* Jul. 14, 2015**

(54) **ANT BAIT STATION**

(71) Applicant: **Sterling International Inc.**, Spokane, WA (US)

(72) Inventors: **Qing-He Zhang**, Greenacres, WA (US);  
**Marc Chapin**, Spokane, WA (US);  
**Rodney G. Schneidmiller**, Greenacres, WA (US)

(73) Assignee: **Sterling International Inc.**, Spokane, WA (US)

(\*\*) Term: **14 Years**

(21) Appl. No.: **29/513,393**

(22) Filed: **Dec. 30, 2014**

6,216,384	B1	4/2001	Dickson
6,651,378	B2	11/2003	Baker
6,789,352	B2	9/2004	Price
D515,175	S	2/2006	Mayo
7,165,353	B2	1/2007	Matts
D544,064	S	6/2007	Kerl
7,310,908	B2	12/2007	Bernard
D577,413	S	9/2008	Long
D639,895	S	6/2011	Schneidmiller
D686,689	S	7/2013	Bernard
D694,849	S	12/2013	Ots
D701,285	S	3/2014	Chapin
D712,503	S	9/2014	Aiston
D715,891	S	10/2014	Zhang
D715,892	S	10/2014	Zhang
D716,907	S	11/2014	Zhang
2013/0318860	A1	12/2013	Zhang

*Primary Examiner* — Catheri Oliver-Garcia

(74) *Attorney, Agent, or Firm* — Christensen O'Connor Johnson Kindness PLLC

**Related U.S. Application Data**

(62) Division of application No. 29/489,123, filed on Apr. 25, 2014, now Pat. No. Des. 725,224.

(51) **LOC (10) Cl.** ..... **22-06**

(52) **U.S. Cl.**  
USPC ..... **D22/122**

(58) **Field of Classification Search**  
USPC ..... D22/119–124; 43/58, 60–61, 107,  
43/112–113, 121, 124, 131, 132.1  
See application file for complete search history.

(56) **References Cited**

**U.S. PATENT DOCUMENTS**

D374,703	S	10/1996	Dickson
D425,961	S	5/2000	Kemmis

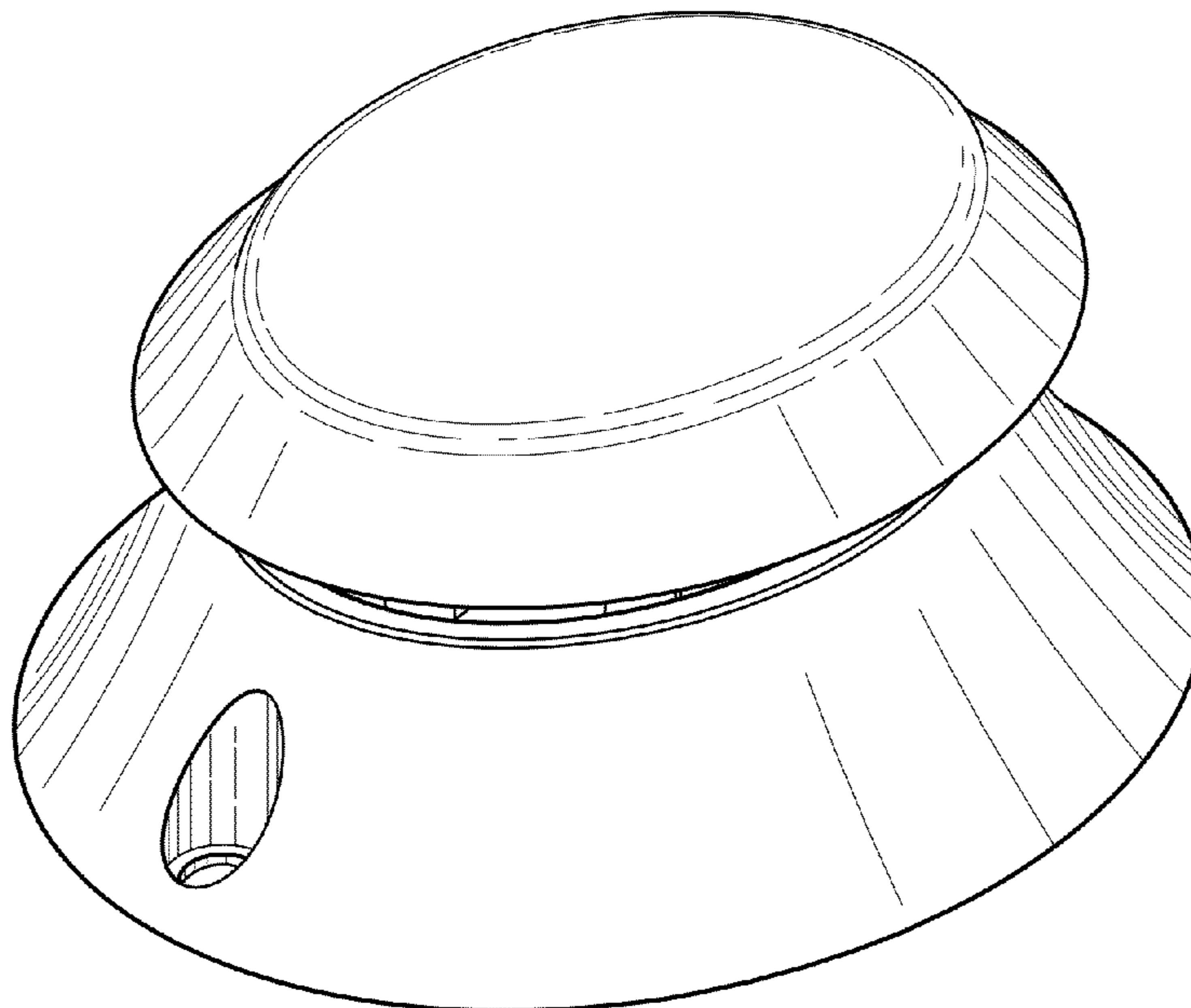
(57) **CLAIM**

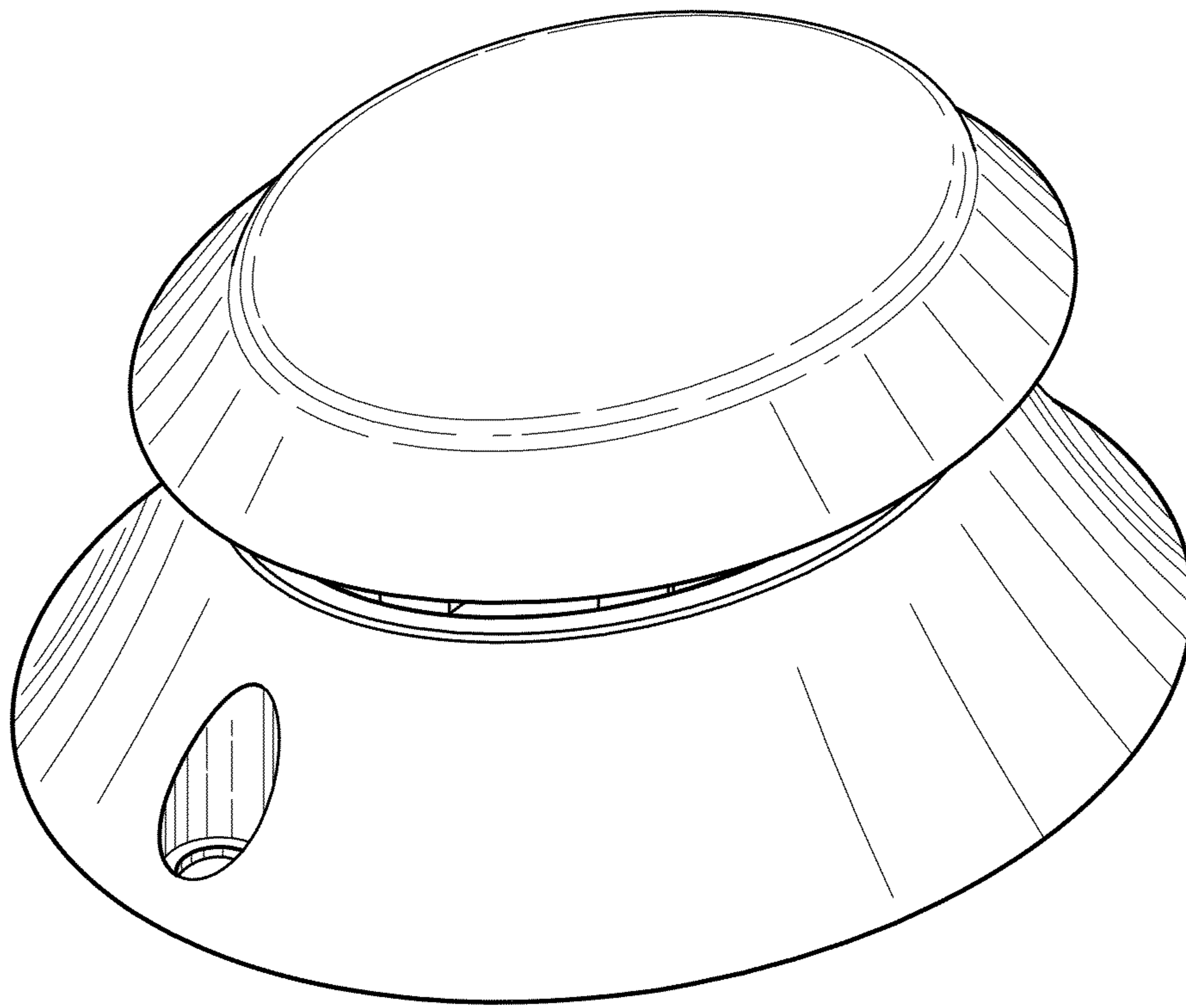
The ornamental design for an ant bait station, as shown.

**DESCRIPTION**

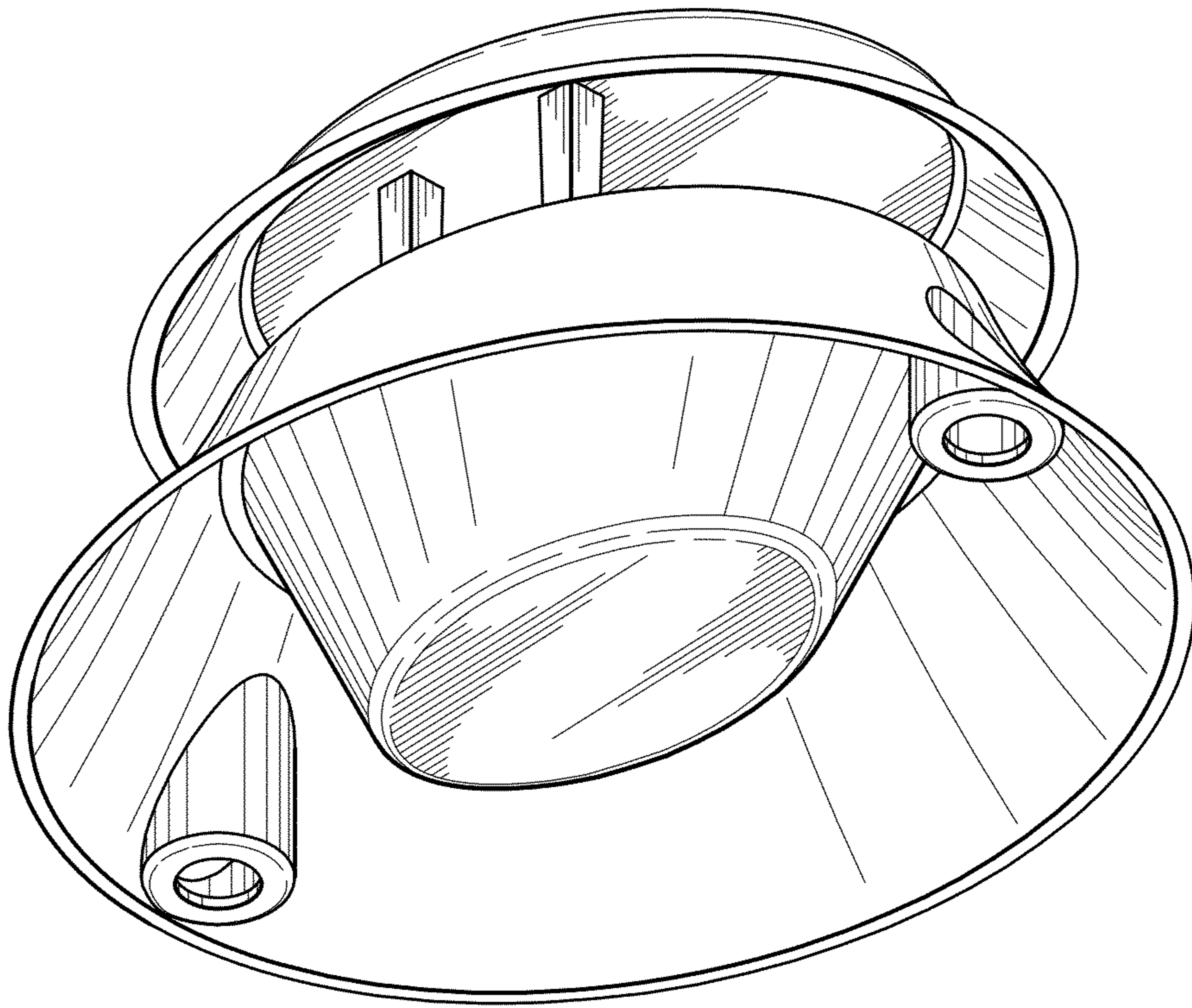
FIG. 1 is an upper perspective view of an ant bait station in accordance with the present design;  
FIG. 2 is a lower perspective view of the ant bait station shown in FIG. 1;  
FIG. 3 is a plan view of the ant bait station shown in FIG. 1;  
FIG. 4 is a bottom view of the ant bait station shown in FIG. 1;  
FIG. 5 is a front view of the ant bait station shown in FIG. 1, which is the same as the rear view; and,  
FIG. 6 is a left side view of the ant bait station shown in FIG. 1, which is the same as the right side view.

**1 Claim, 4 Drawing Sheets**

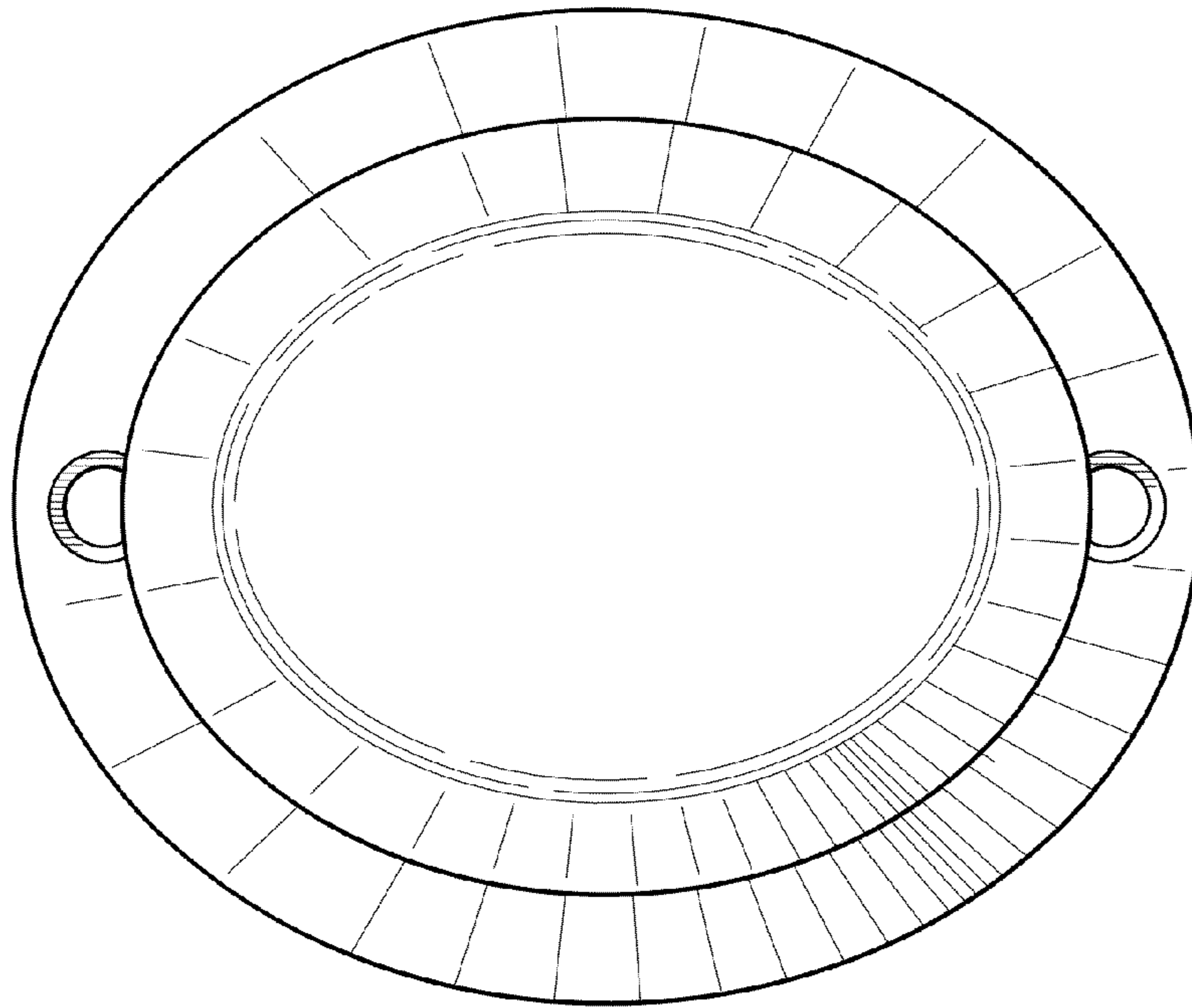




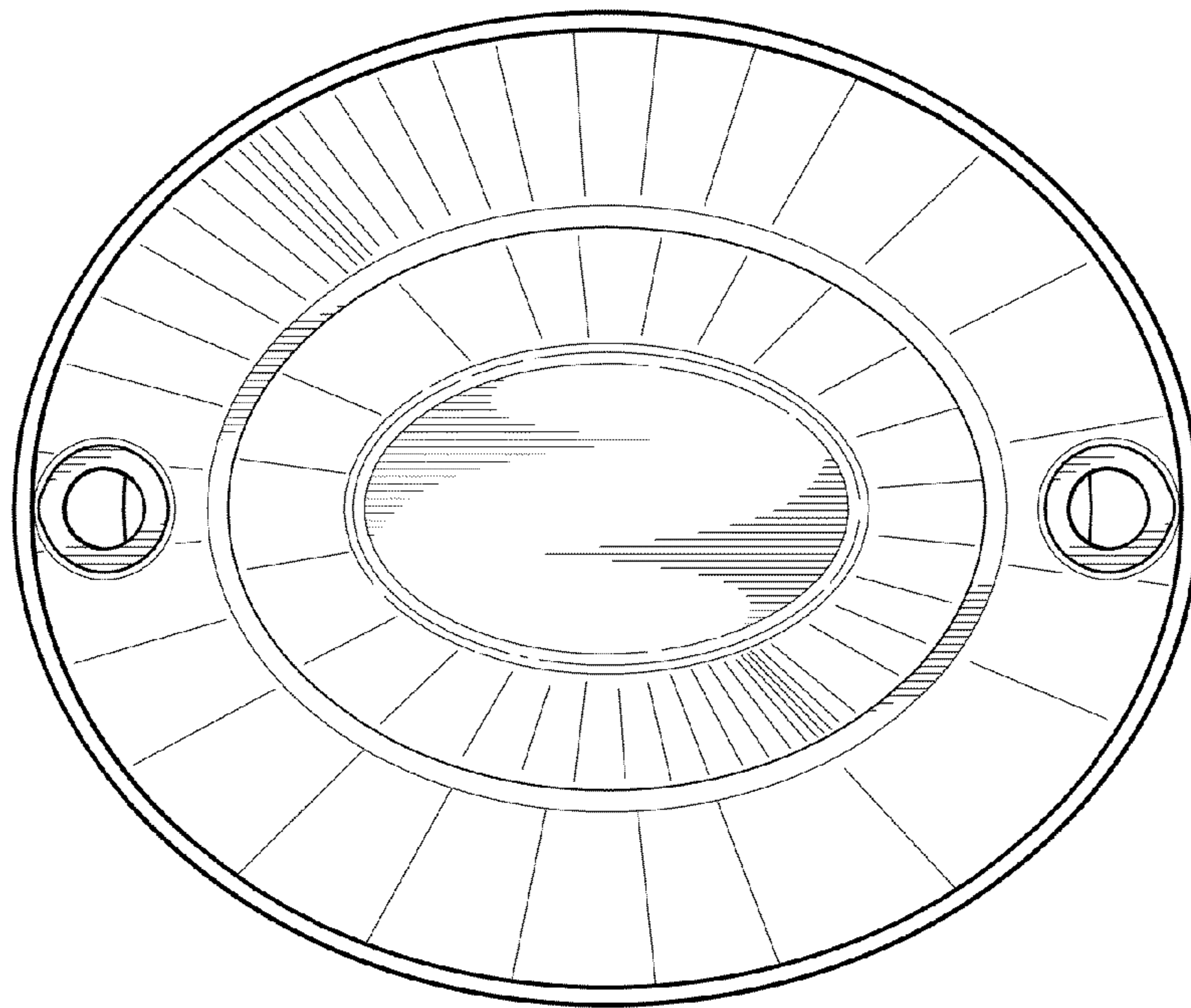
*Fig. 1.*



*Fig. 2.*

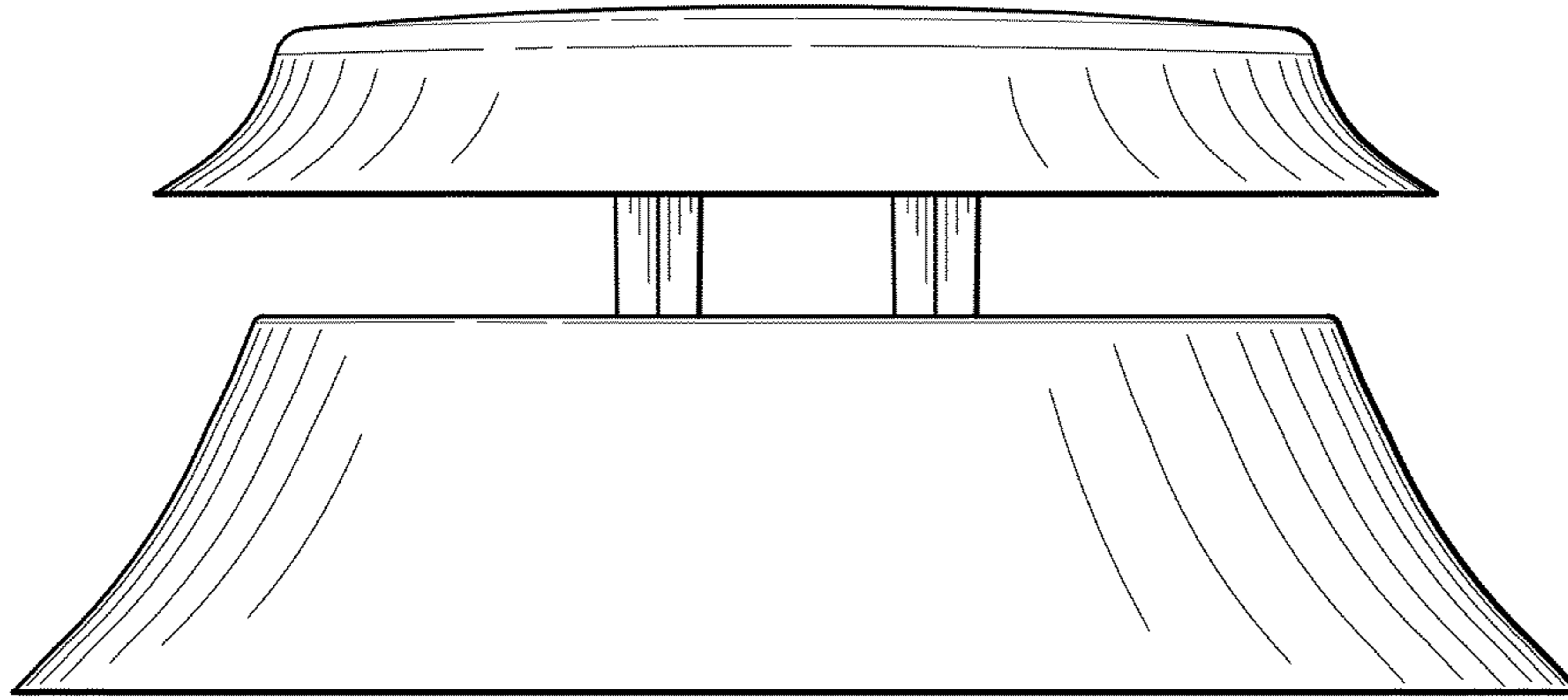


*Fig. 3.*

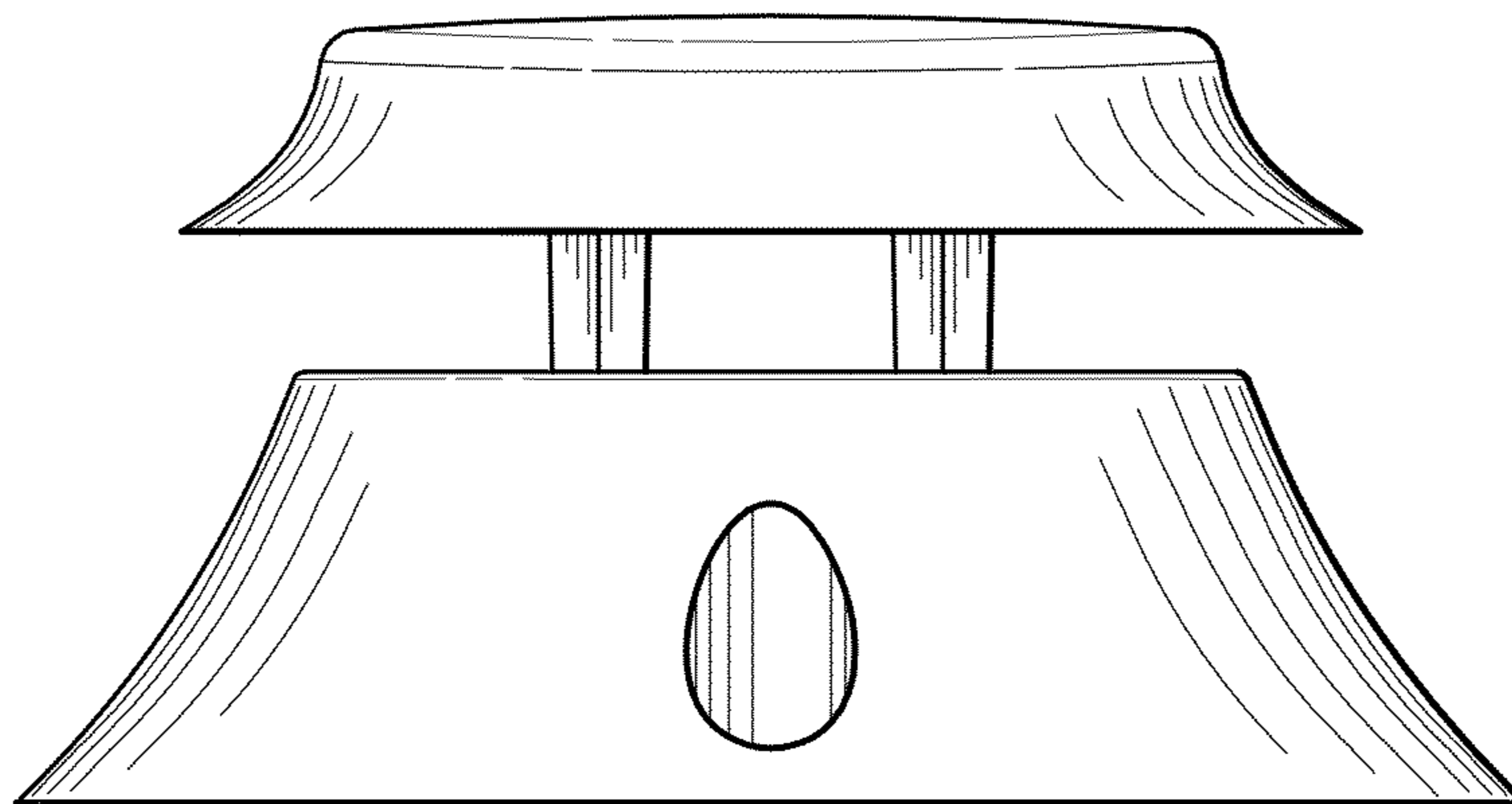


*Fig. 4.*





*Fig. 5.*



*Fig. 6.*