



US00D734414S

(12) **United States Design Patent**
Raskin

(10) **Patent No.:** **US D734,414 S**

(45) **Date of Patent:** **** Jul. 14, 2015**

(54) **BAT GRIP**

(71) Applicant: **Jon Allen Raskin**, Newbury Park, CA
(US)

(72) Inventor: **Jon Allen Raskin**, Newbury Park, CA
(US)

(**) Term: **14 Years**

(21) Appl. No.: **29/448,987**

(22) Filed: **Mar. 14, 2013**

(51) **LOC (10) Cl.** **21-02**

(52) **U.S. Cl.**
USPC **D21/756**

(58) **Field of Classification Search**
USPC D21/725, 756-758; 473/564-568
See application file for complete search history.

(56) **References Cited**

U.S. PATENT DOCUMENTS

D386,678 S * 11/1997 Tyra D21/725
D522,078 S * 5/2006 De Gruccio D21/756

D544,934 S * 6/2007 De Gruccio D21/756
D589,773 S * 4/2009 Finochiaro D21/756
7,556,573 B2 * 7/2009 Beach 473/568
8,083,620 B2 * 12/2011 Sims et al. 473/568
2003/0083142 A1 * 5/2003 Nam 473/286

* cited by examiner

Primary Examiner — Mitchell Siegel

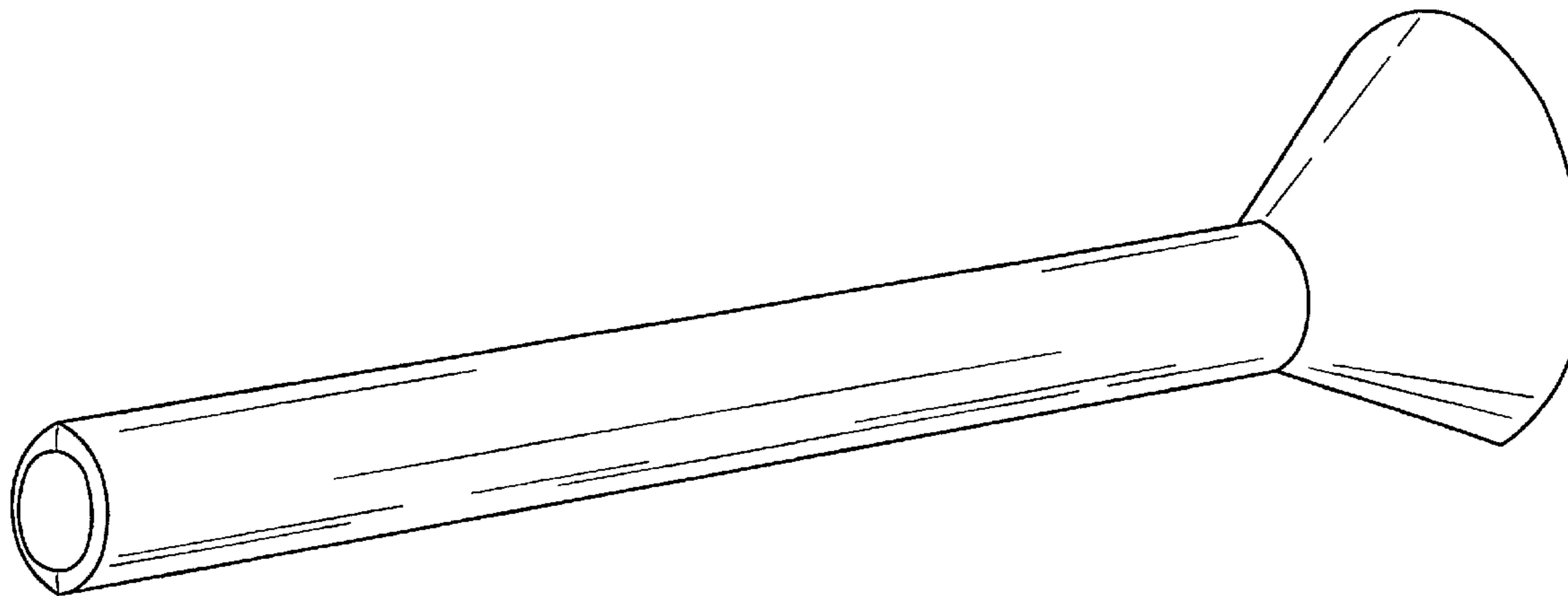
(57) **CLAIM**

The ornamental design for a bat grip, as shown and described.

DESCRIPTION

FIG. 1 is a perspective view of the bat grip showing my new design;
FIG. 2 is a bottom plan view of the bat grip;
FIG. 3 is a top plan view of the bat grip;
FIG. 4 is a right side elevational view of the bat grip; the undisclosed left side is a mirror image; and,
FIG. 5 is the front elevational view of the bat grip; the undisclosed rear is a mirror image.

1 Claim, 3 Drawing Sheets



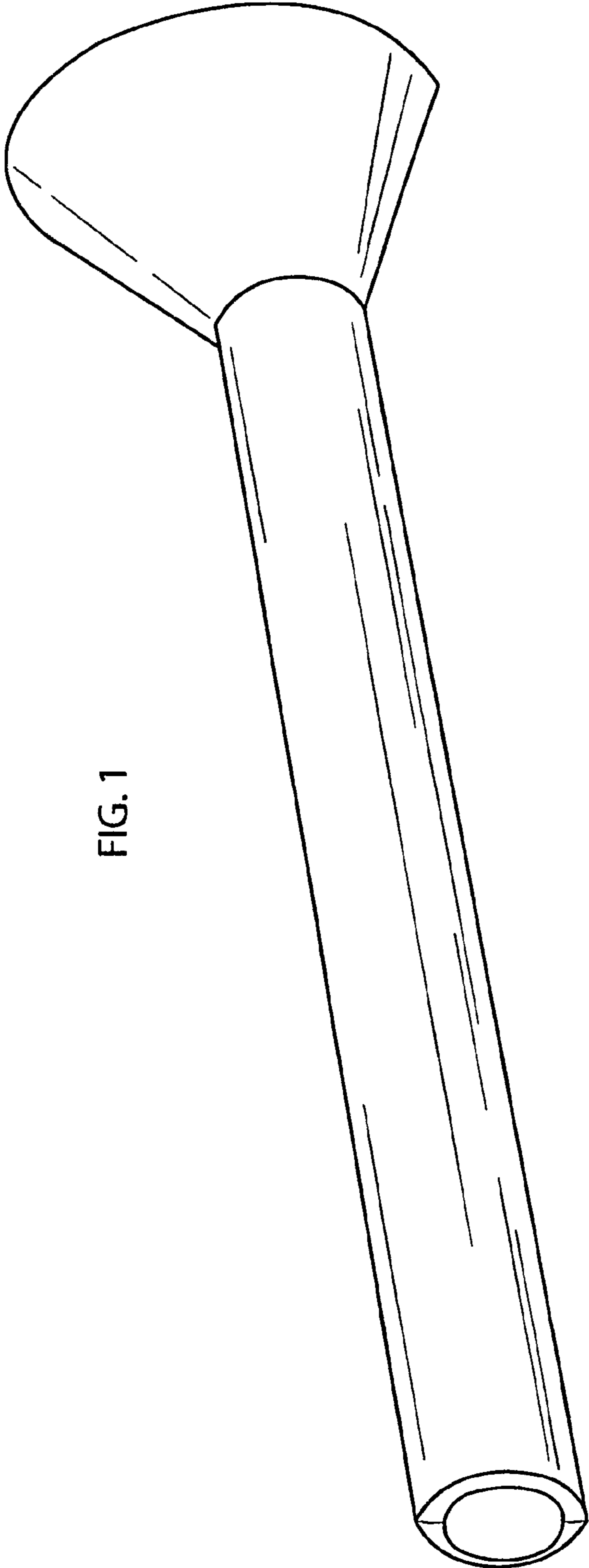


FIG. 1

FIG. 2

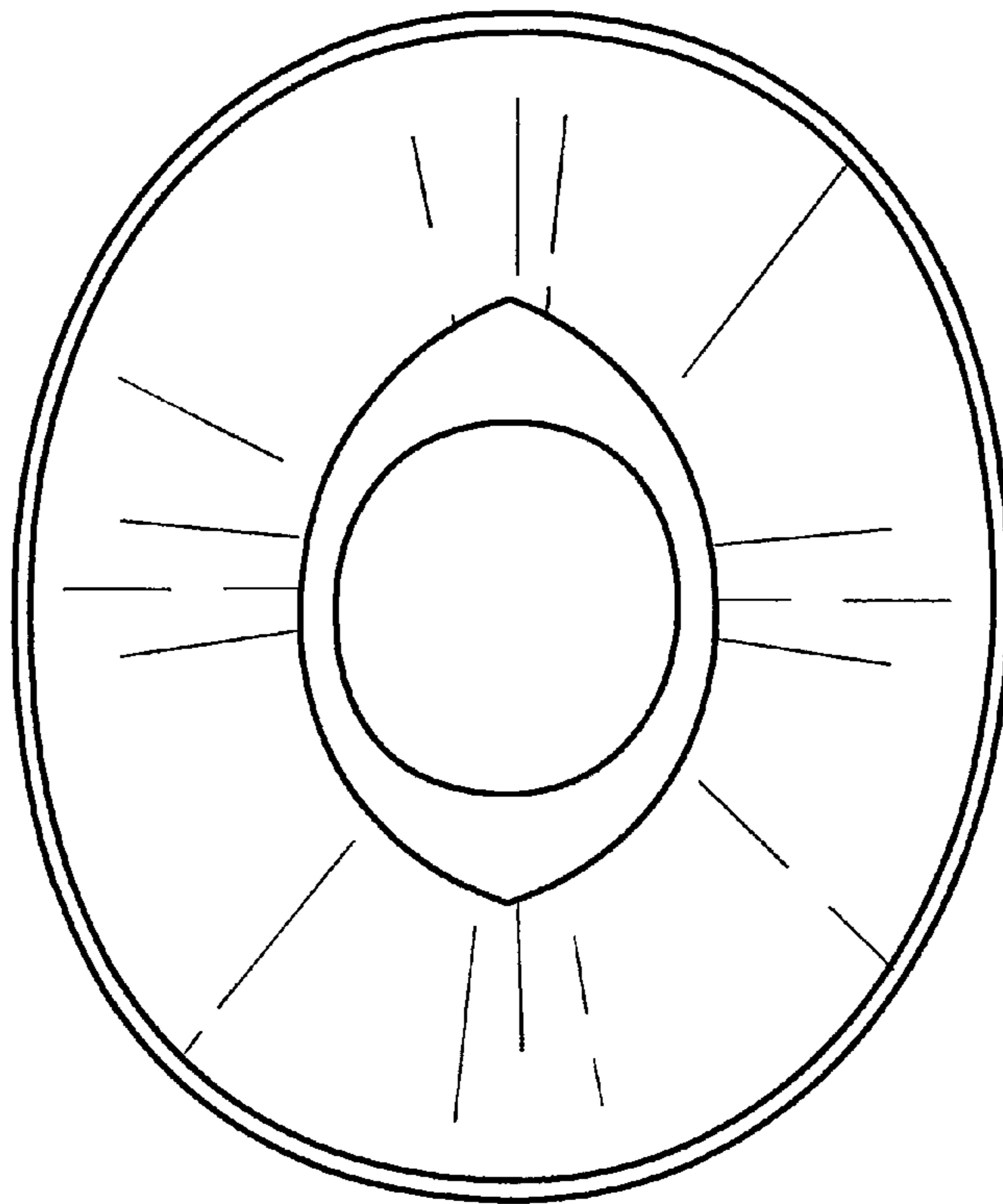
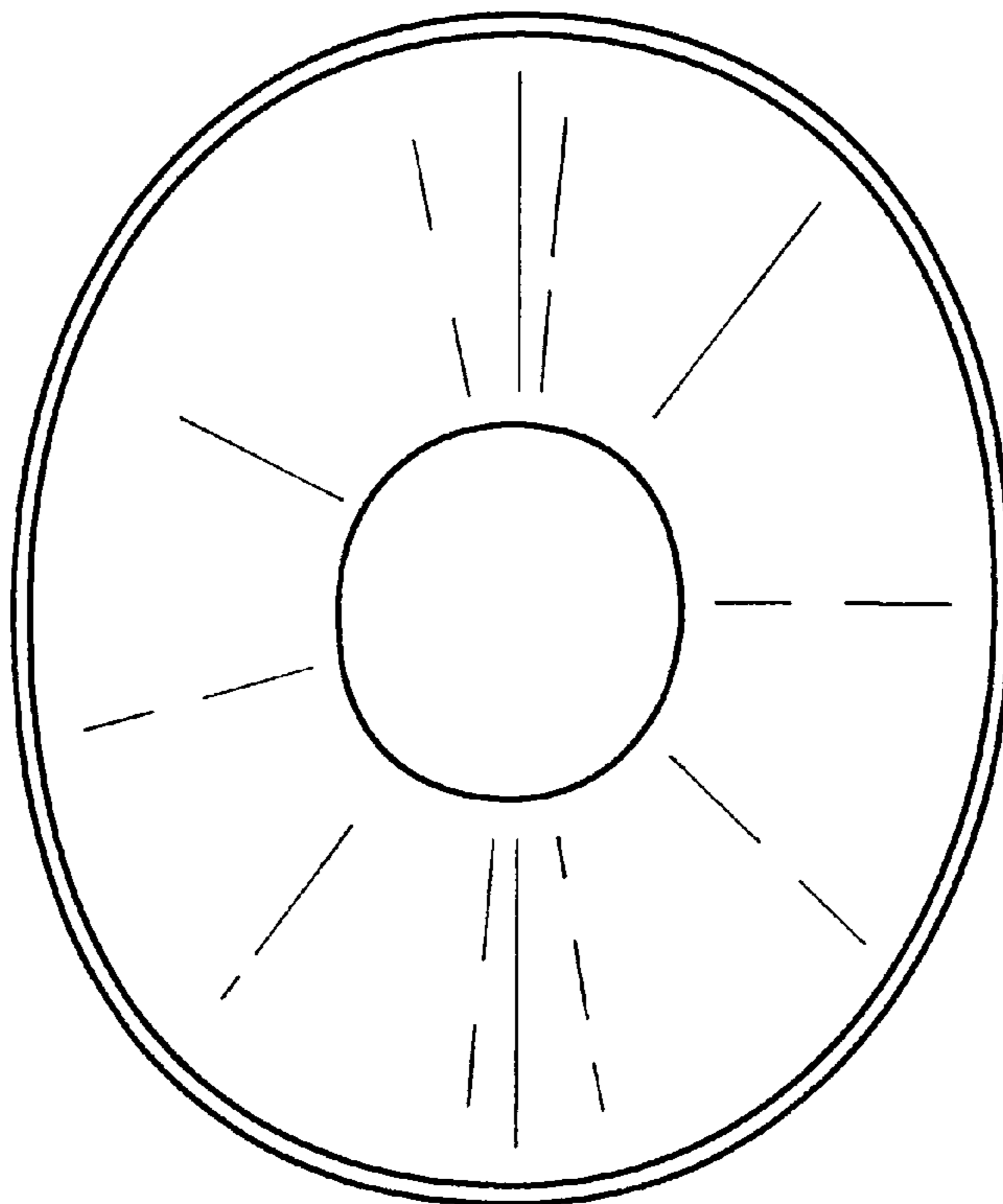


FIG. 3



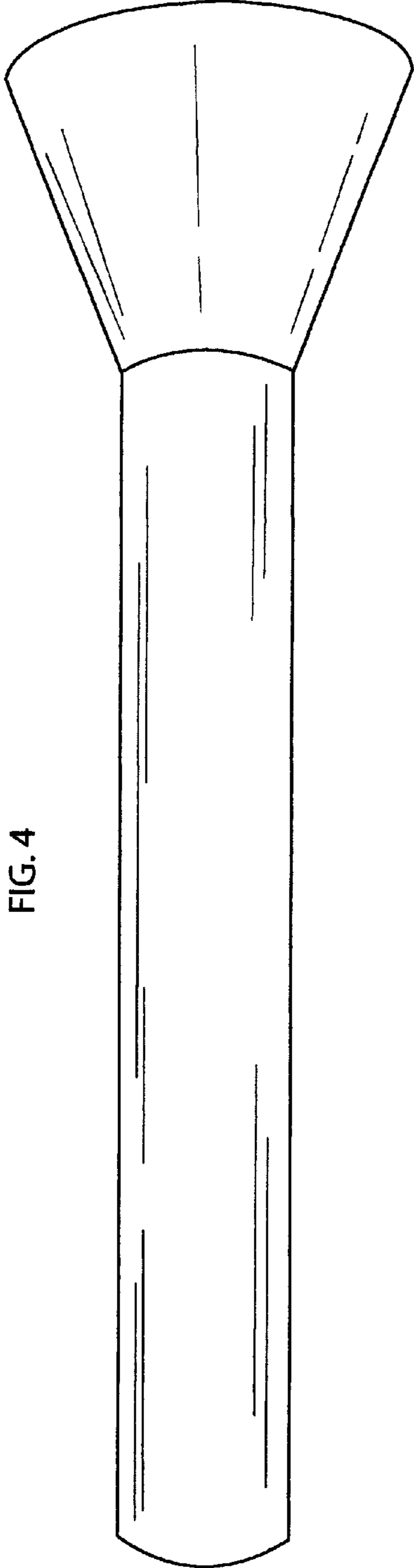


FIG. 4

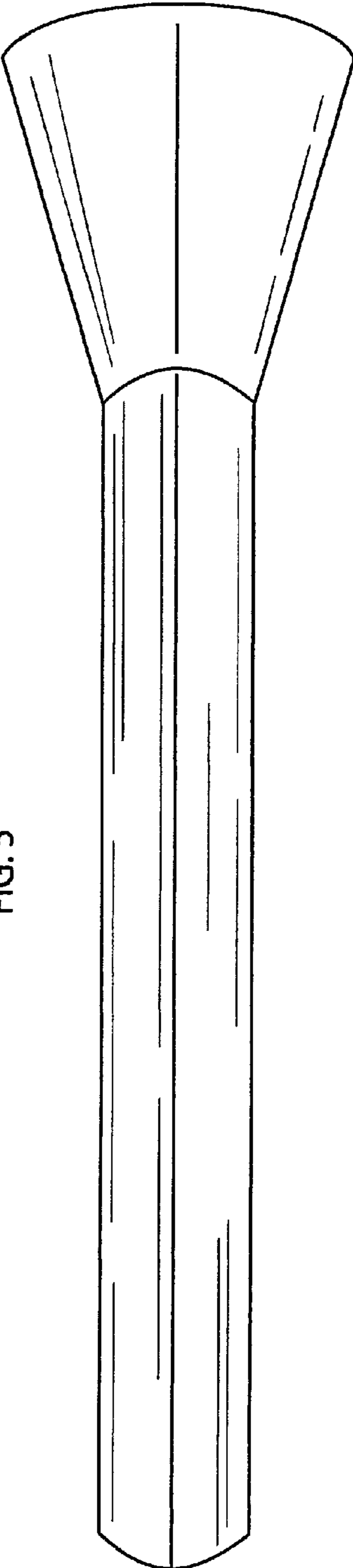


FIG. 5