



US00D734413S

(12) **United States Design Patent**
Bettin et al.

(10) **Patent No.:** **US D734,413 S**
(45) **Date of Patent:** **** Jul. 14, 2015**

(54) **TABLE ATTACHMENT FOR TREADMILL**
(71) Applicant: **FITNEFF INC.**, Calgary (CA)
(72) Inventors: **Ron Bettin**, Calgary (CA); **Herbert Bentz**, Vancouver (CA); **Ryszard Krukowski**, Bowen Island (CA); **Tomas Nielsen**, Vancouver (CA)

(**) Term: **14 Years**
(21) Appl. No.: **29/492,490**
(22) Filed: **May 30, 2014**

(30) **Foreign Application Priority Data**
May 7, 2014 (CA) 156440
(51) **LOC (10) Cl.** **21-02**
(52) **U.S. Cl.**
USPC **D21/694**; D6/641
(58) **Field of Classification Search**
USPC D21/694, 676, 686, 695, 662, 673;
482/4, 8, 51-54, 92, 138, 139, 143,
482/148, 100, 904, 908; 108/6, 23, 26, 90,
108/97, 101, 107, 115, 117, 147.11, 147.17,
108/151, 152, 155; D6/656.16, 656.17,
D6/656, 691, 641, 642, 708
CPC A63B 22/0664; A47B 2220/06; A47B
13/12; B43L 3/001; B43L 5/007
See application file for complete search history.

(56) **References Cited**
U.S. PATENT DOCUMENTS
4,196,675 A * 4/1980 Cook 108/6
4,467,727 A * 8/1984 Strommer 108/23
4,474,115 A * 10/1984 Carlton 108/7
5,377,598 A * 1/1995 Kirchner et al. 108/97
6,745,702 B2 * 6/2004 Goldberg et al. 108/26
D681,979 S * 5/2013 Keen et al. D6/691
D691,223 S * 10/2013 Hao D21/694
D719,385 S * 12/2014 Watson D6/708
2006/0247109 A1 * 11/2006 Powell 482/148
2006/0258513 A1 * 11/2006 Routley et al. 482/54
2007/0131149 A1 * 6/2007 Mayben 108/97

2013/0116095 A1 * 5/2013 Hsieh 482/54
2013/0150214 A1 * 6/2013 Wu 482/4
2013/0231216 A1 * 9/2013 Hao 482/4
2013/0284077 A1 * 10/2013 Copeland et al. 108/117
2014/0080678 A1 * 3/2014 Wu 482/54
2014/0187383 A1 * 7/2014 Martin 482/8

OTHER PUBLICATIONS

Internet Search URL><http://www.walktop.com/blogs/walktop-news/16818436-fitneff-inc-launches-the-walktop-t> . . . [Date Searched Feb. 12, 2015].*
Internet Search URL><http://treadmilldesk.us/product-spotlight/> [Date Searched Feb. 12, 2015].*
Internet Search URL>http://images.utrechtart.com/products/optionRegular/StudioDesigns/47358_X.jpg [Date Searched Feb. 12, 2015].*

* cited by examiner

Primary Examiner — Philip S Hyder
Assistant Examiner — Keith Frank
(74) *Attorney, Agent, or Firm* — Sander R. Gelsing

(57) **CLAIM**
The ornamental design for a table attachment for treadmill, as shown and described.

DESCRIPTION

FIG. 1 shows a perspective view of the table attachment for treadmill according to the first variant of the design, with the tabletop at a midlevel position;
FIG. 2 shows a front view according to the design of FIG. 1, with the tabletop at a midlevel position;
FIG. 3 shows a rear view according to the design of FIG. 1, with the tabletop at a midlevel position;
FIG. 4 shows a left view according to the design of FIG. 1, with the tabletop at a midlevel position;
FIG. 5 shows a right view according to the design of FIG. 1, with the tabletop at a midlevel position;
FIG. 6 shows a top view according to the design of FIG. 1, with the tabletop at a midlevel position;
FIG. 7 shows a bottom view according to the design of FIG. 1, with the tabletop at a midlevel position;

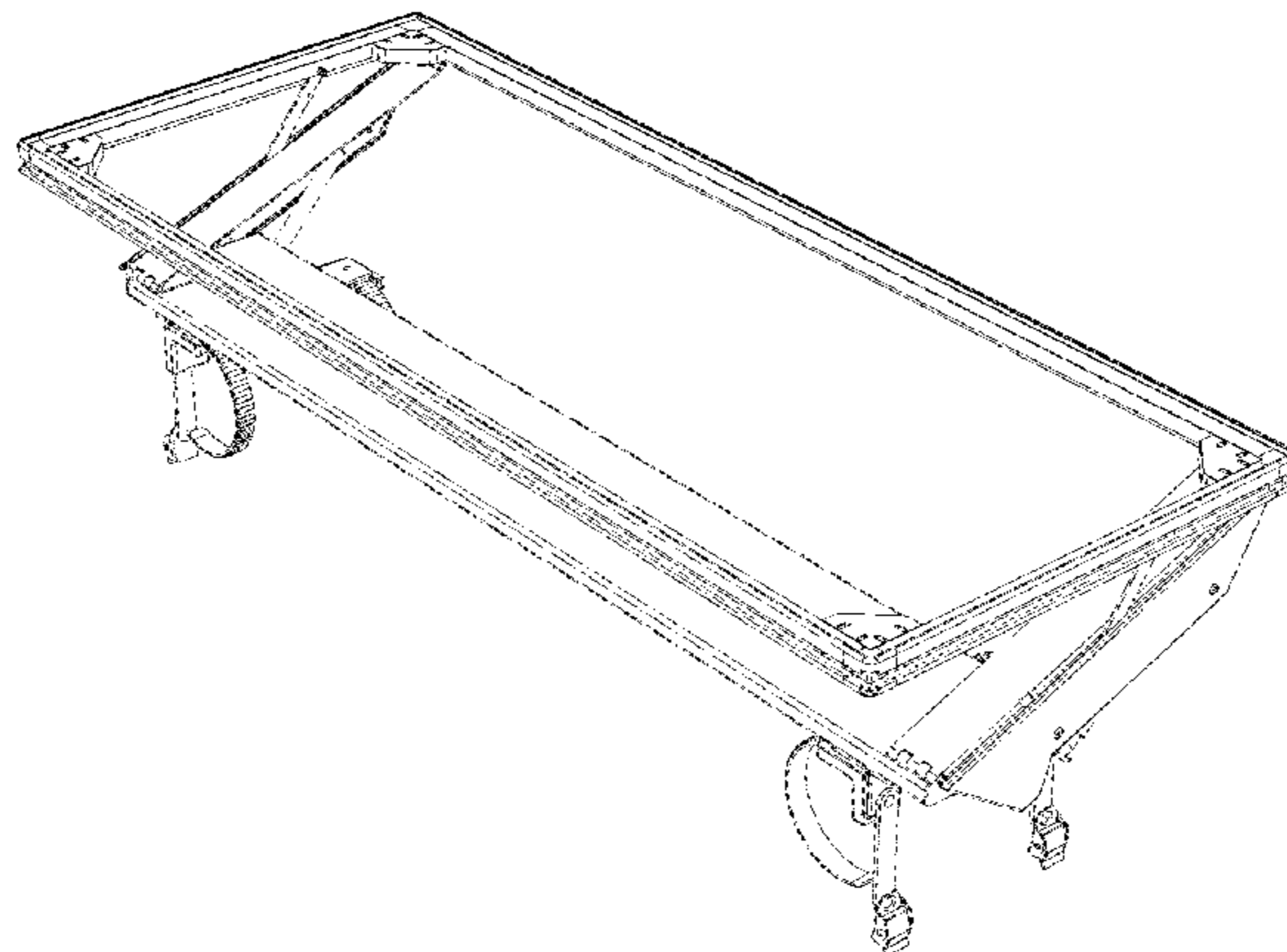


FIG. 8 shows a bottom perspective view according to the design of FIG. 1, with the tabletop at a midlevel position and with the locking handle in the unlocked position;

FIG. 9 shows a bottom perspective view according to the design of FIG. 1, with the tabletop at a midlevel position and with the locking handle in the locked position;

FIG. 10 shows a perspective view according to the design of FIG. 1, with the tabletop at a lowered position;

FIG. 11 shows another perspective view according to the design of FIG. 1, with the tabletop at a lowered position;

FIG. 12 shows a perspective view according to the design of FIG. 1, with the tabletop at a raised position;

FIG. 13 shows another perspective view according to the design of FIG. 1, with the tabletop at a raised position;

FIG. 14 shows a perspective view of the table attachment for treadmill according to the second variant of the design, with the tabletop at a midlevel position;

FIG. 15 shows a front view according to the design of FIG. 14, with the tabletop at a midlevel position;

FIG. 16 shows a rear view according to the design of FIG. 14, with the tabletop at a midlevel position;

FIG. 17 shows a left view according to the design of FIG. 14, with the tabletop at a midlevel position;

FIG. 18 shows a right view according to the design of FIG. 14, with the tabletop at a midlevel position;

FIG. 19 shows a top view according to the design of FIG. 14, with the tabletop at a midlevel position; and,

FIG. 20 shows a bottom view according to the design of FIG. 14, with the tabletop at a midlevel position.

The figures show two variants. The variant in FIGS. 1 to 13 shows the article with a transparent tabletop surface. The variant in FIGS. 14 to 20 shows the article with an opaque tabletop surface.

1 Claim, 9 Drawing Sheets

Fig. 1

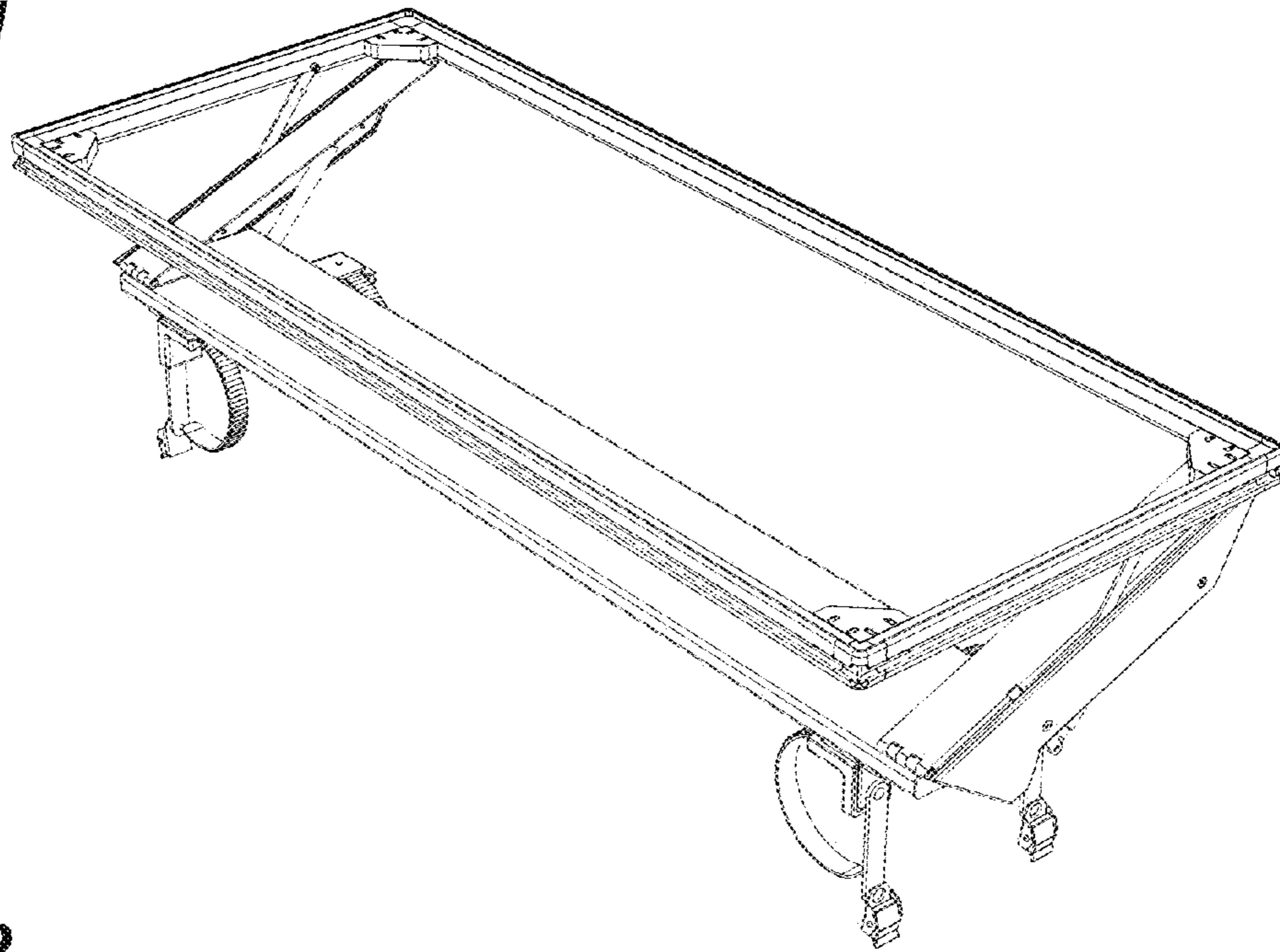


Fig. 2

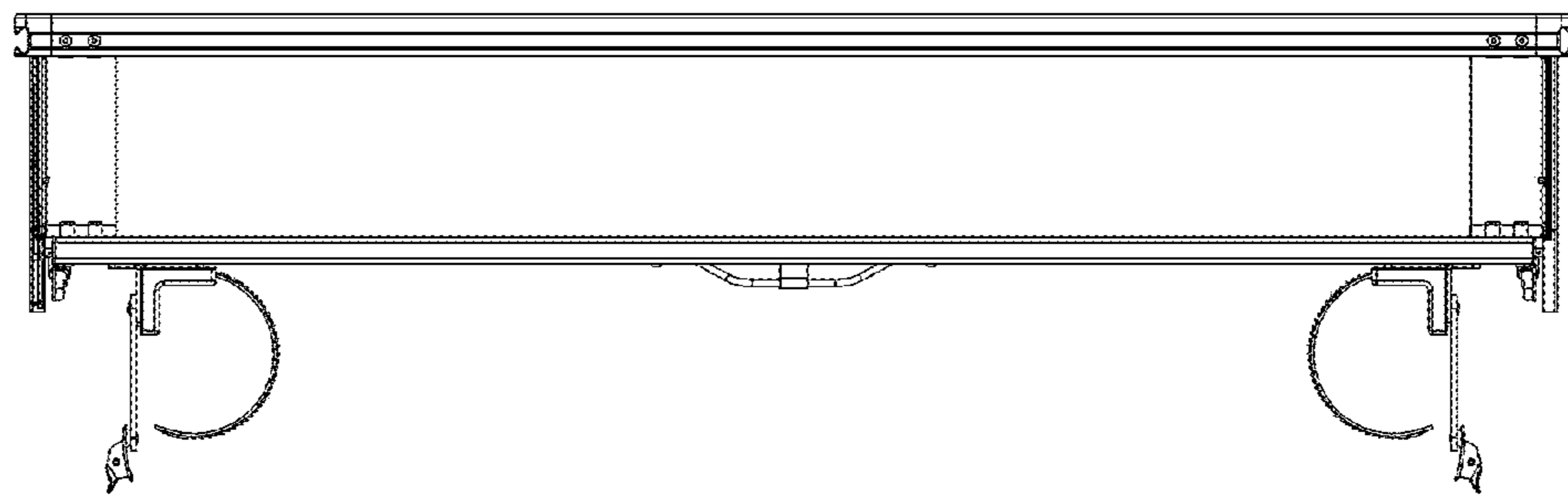


Fig. 3

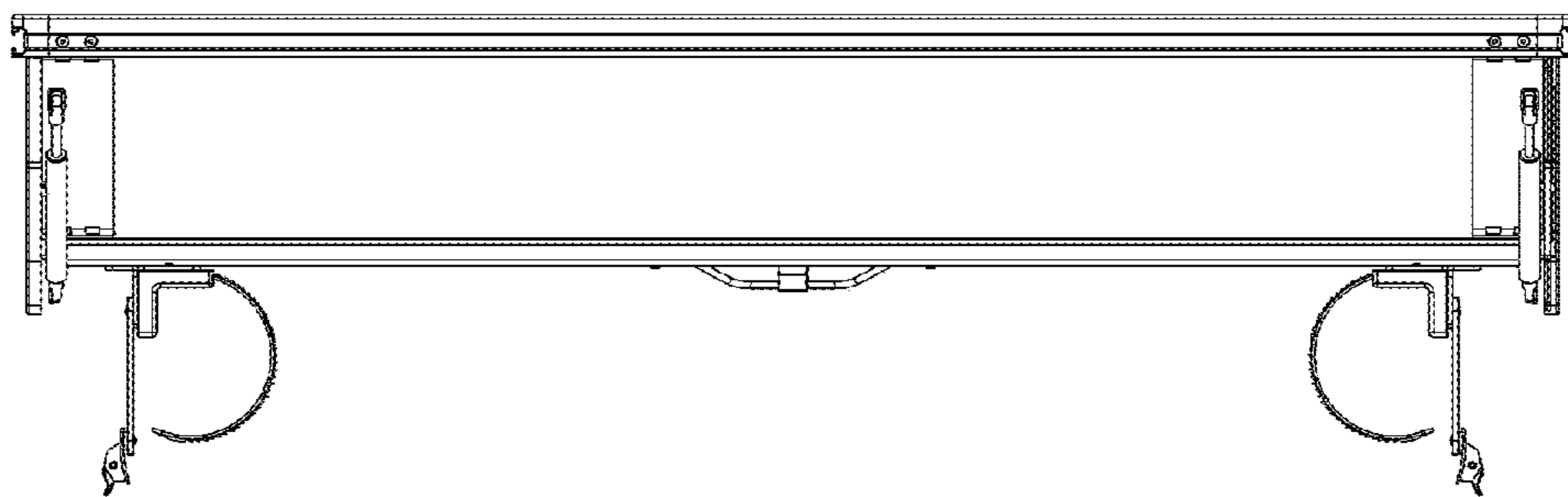


Fig. 4

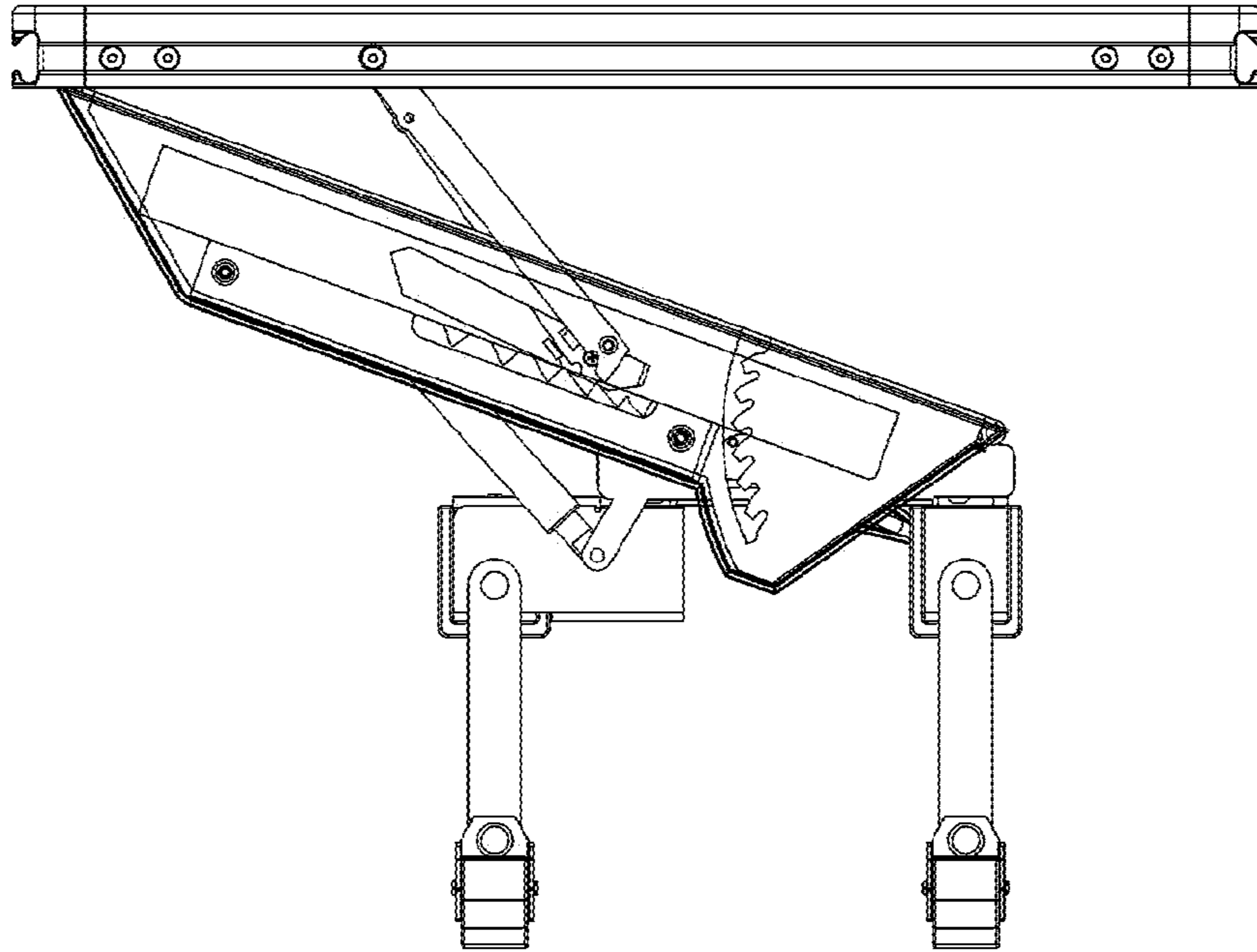


Fig. 5

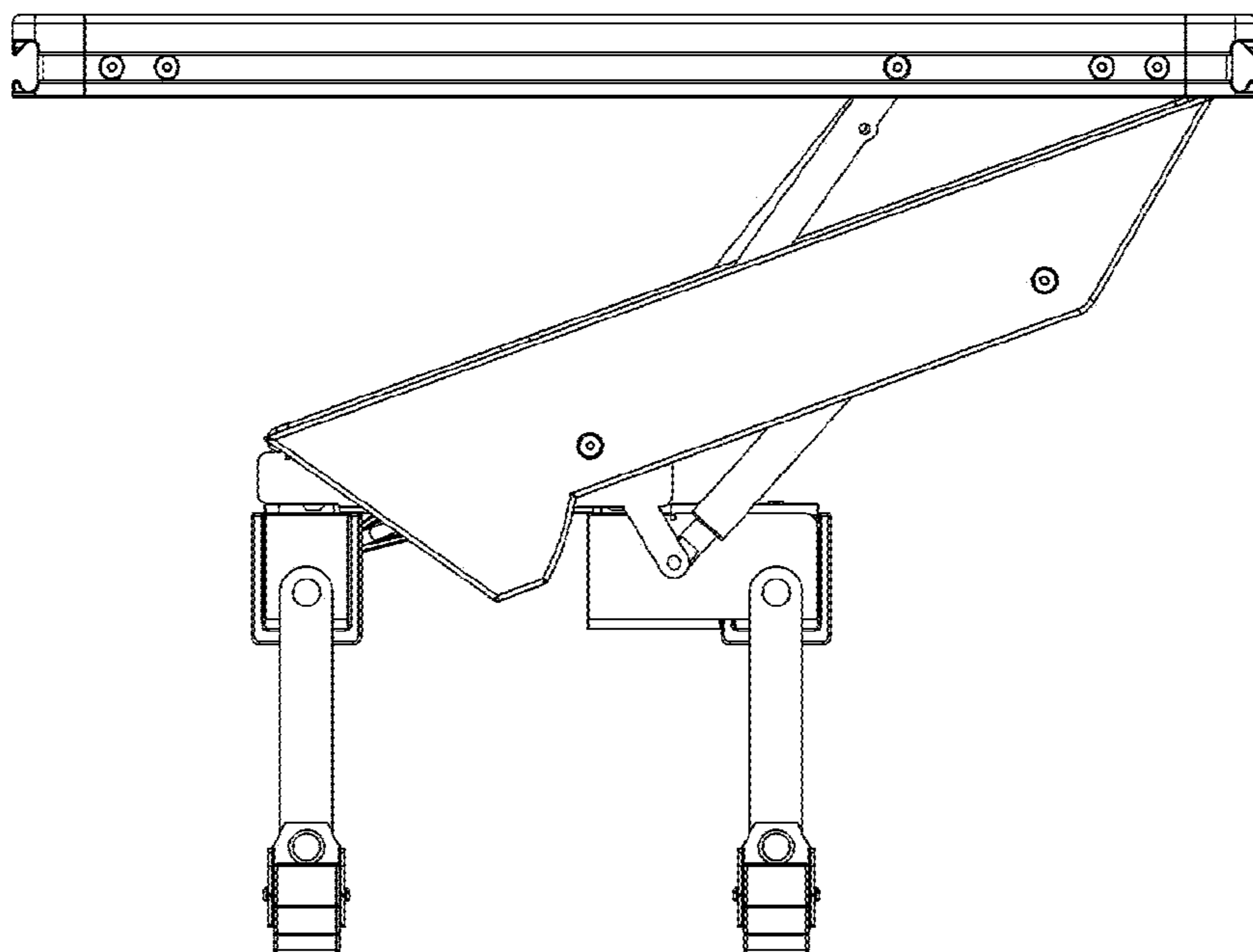


Fig. 6

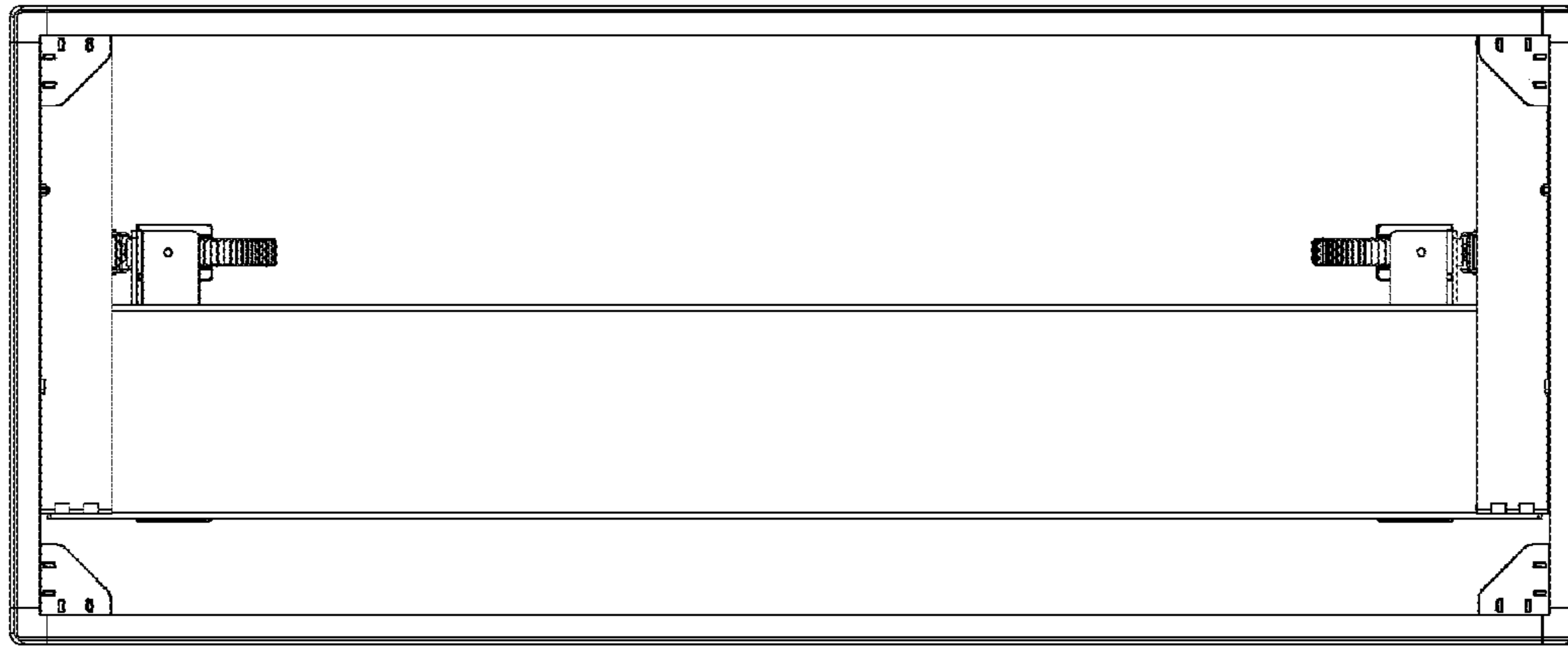


Fig. 7

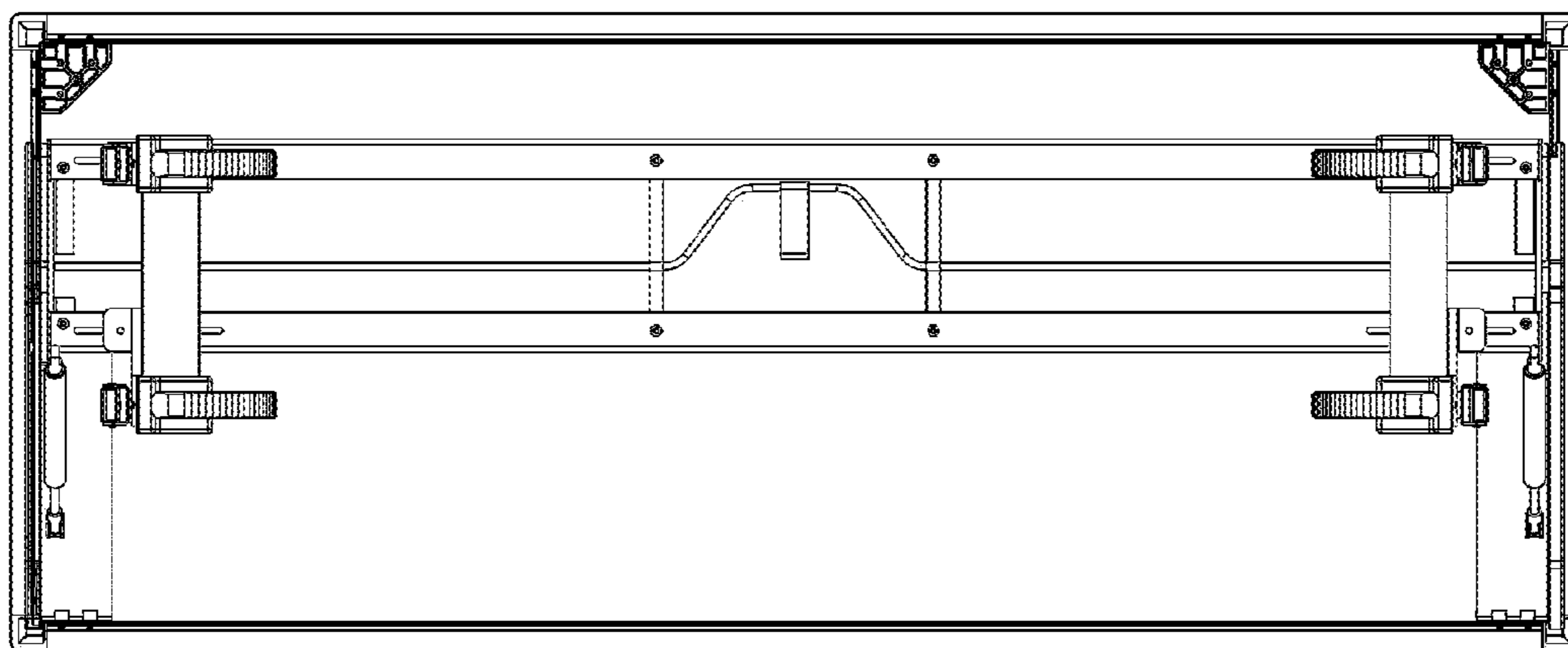


Fig. 8

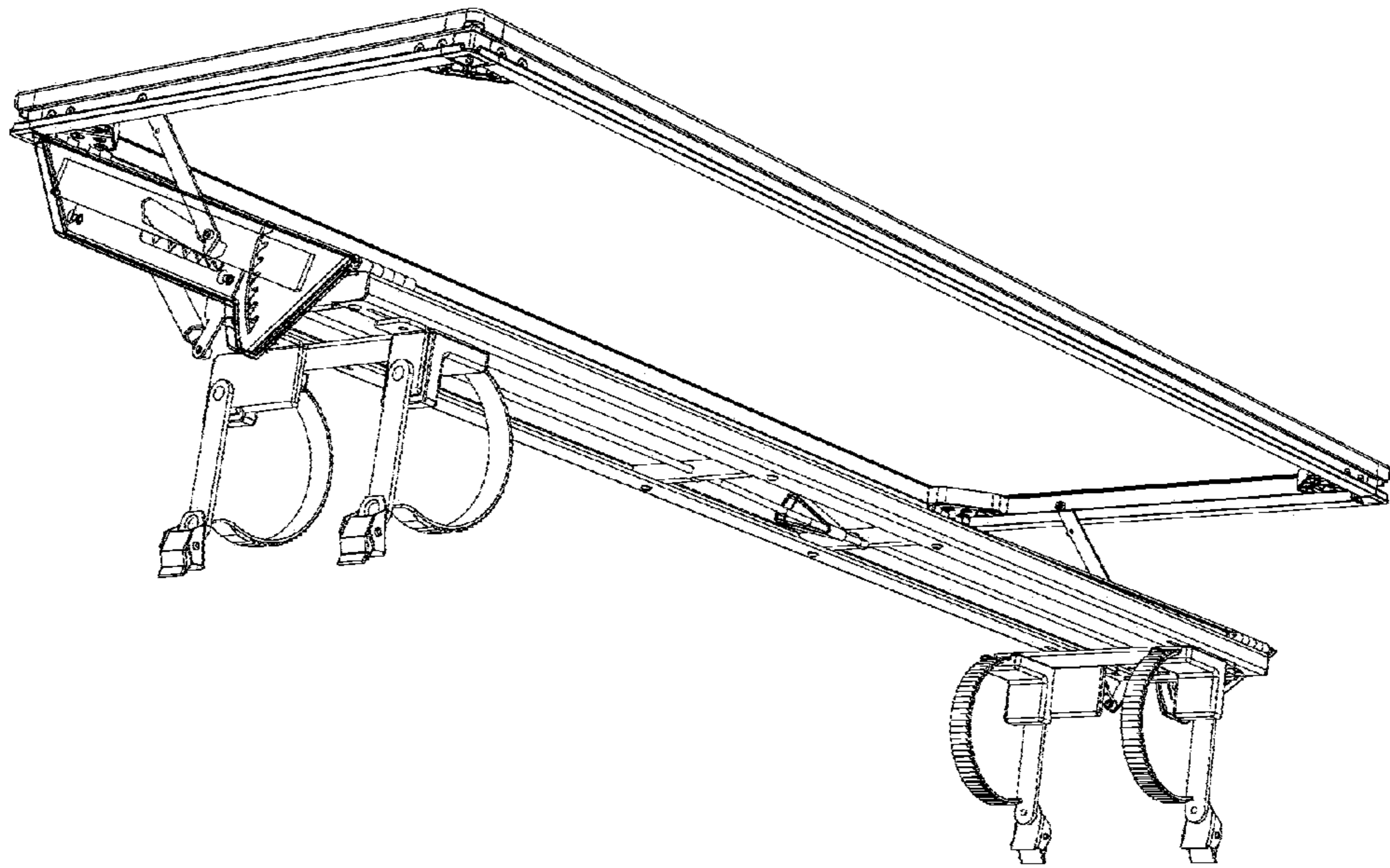


Fig. 9

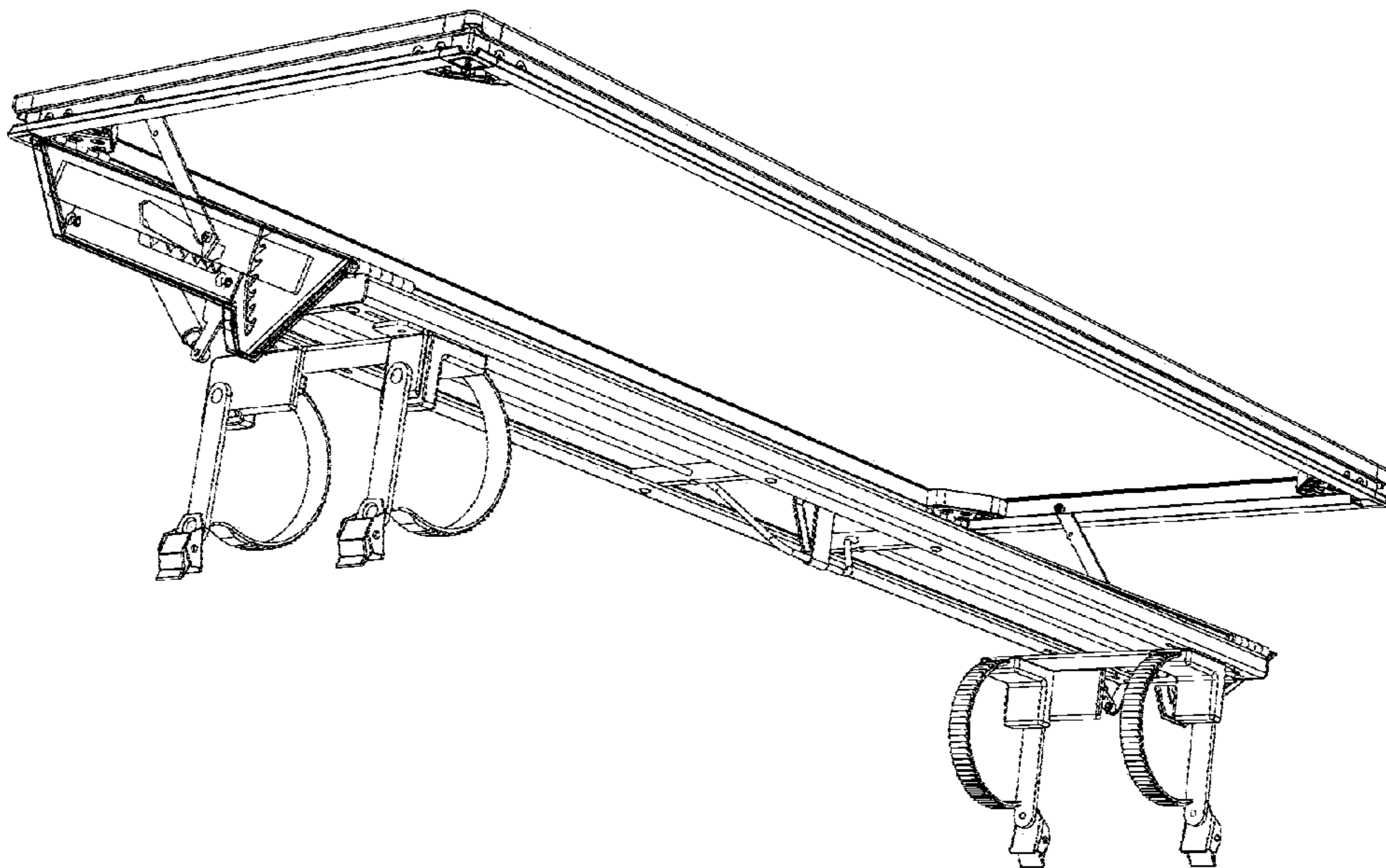


Fig. 10

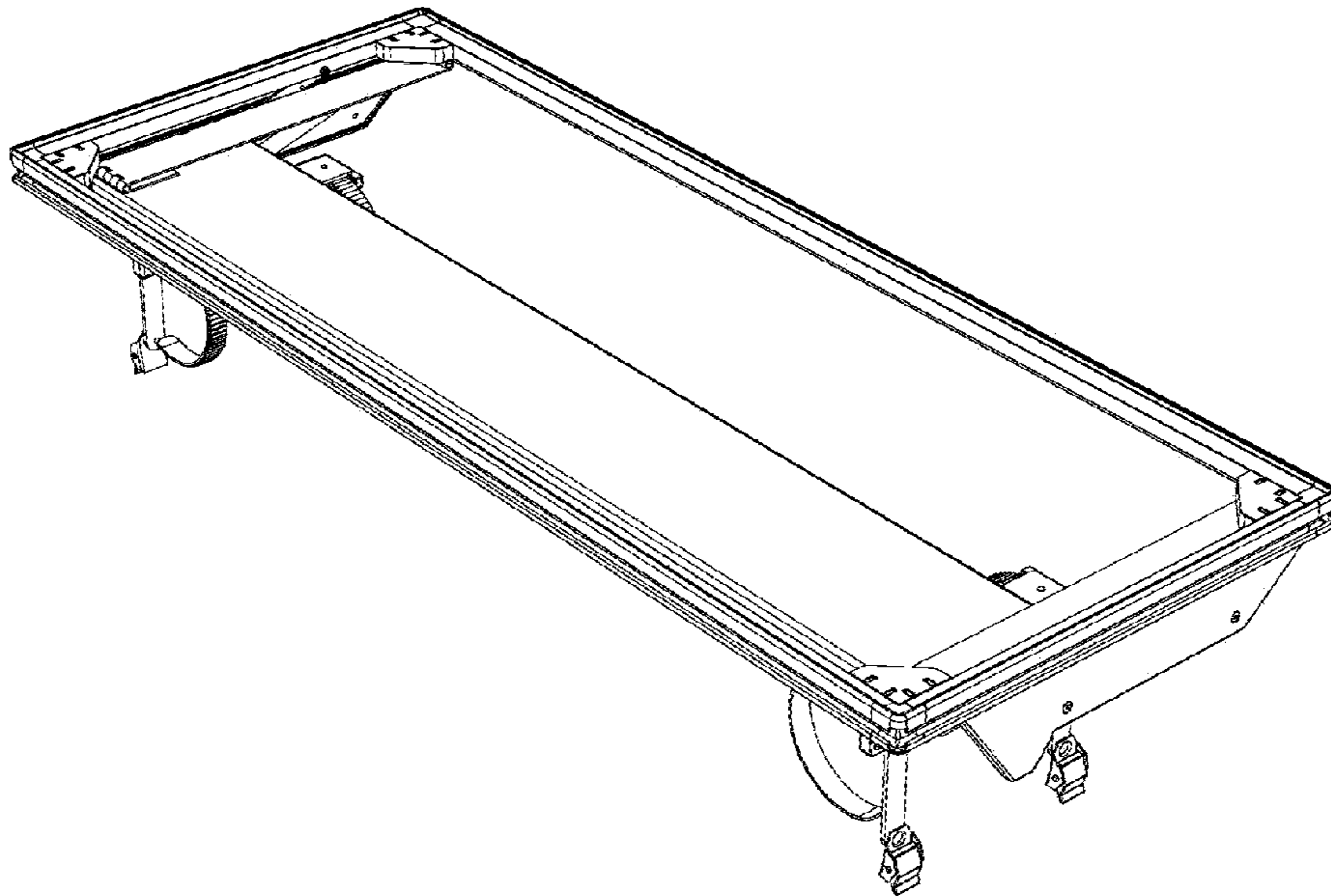


Fig. 11

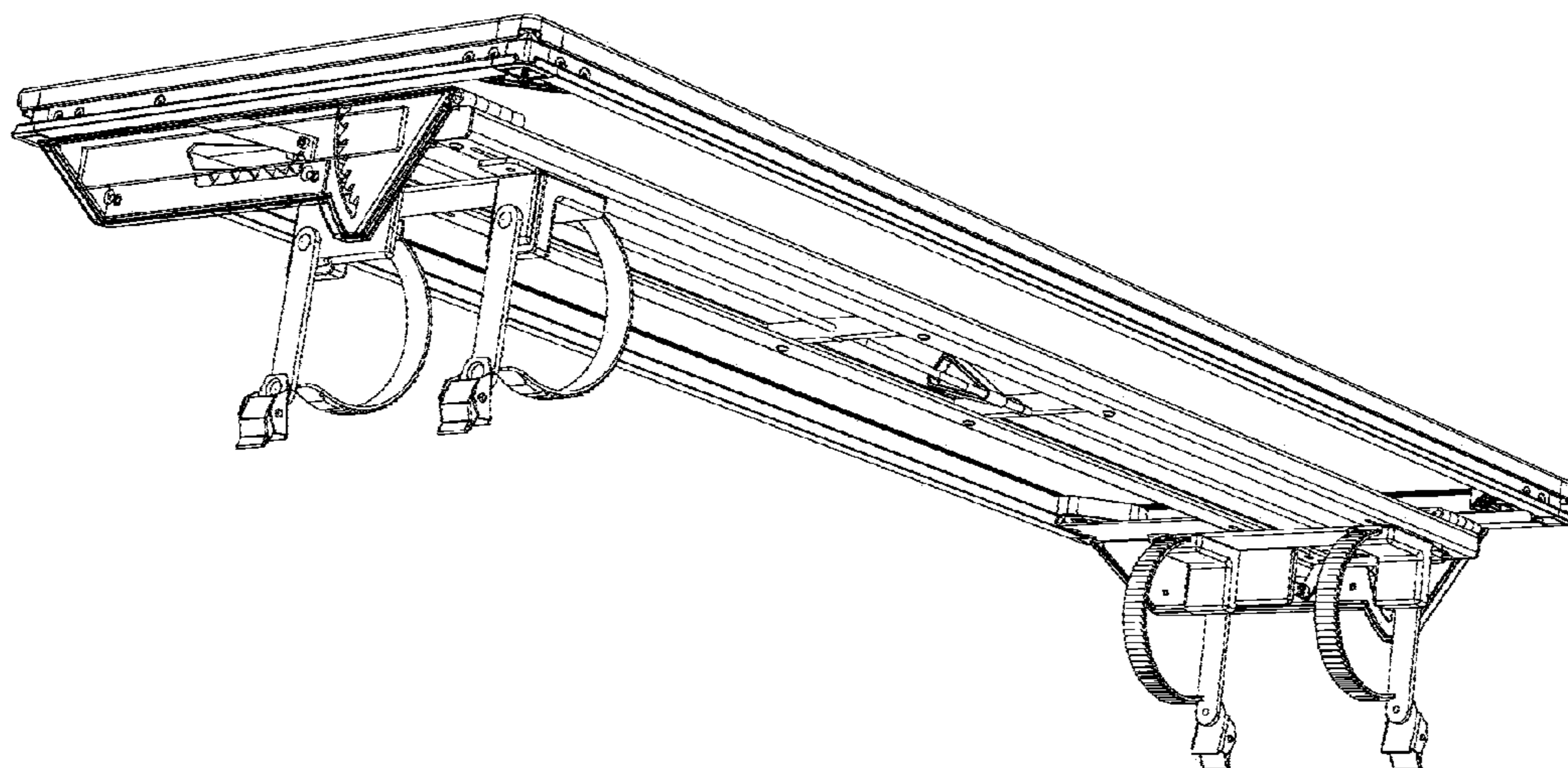


Fig. 12

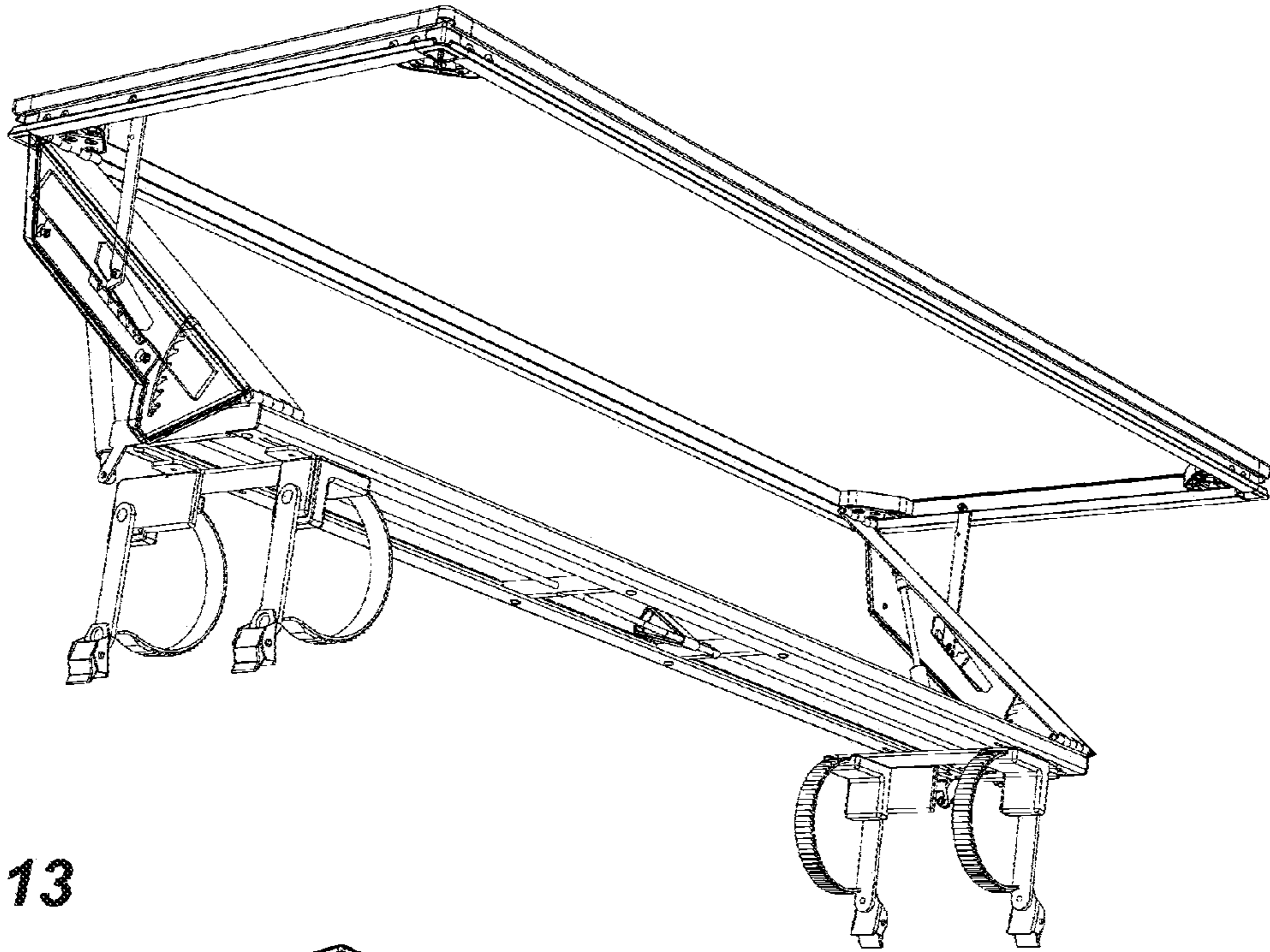


Fig. 13

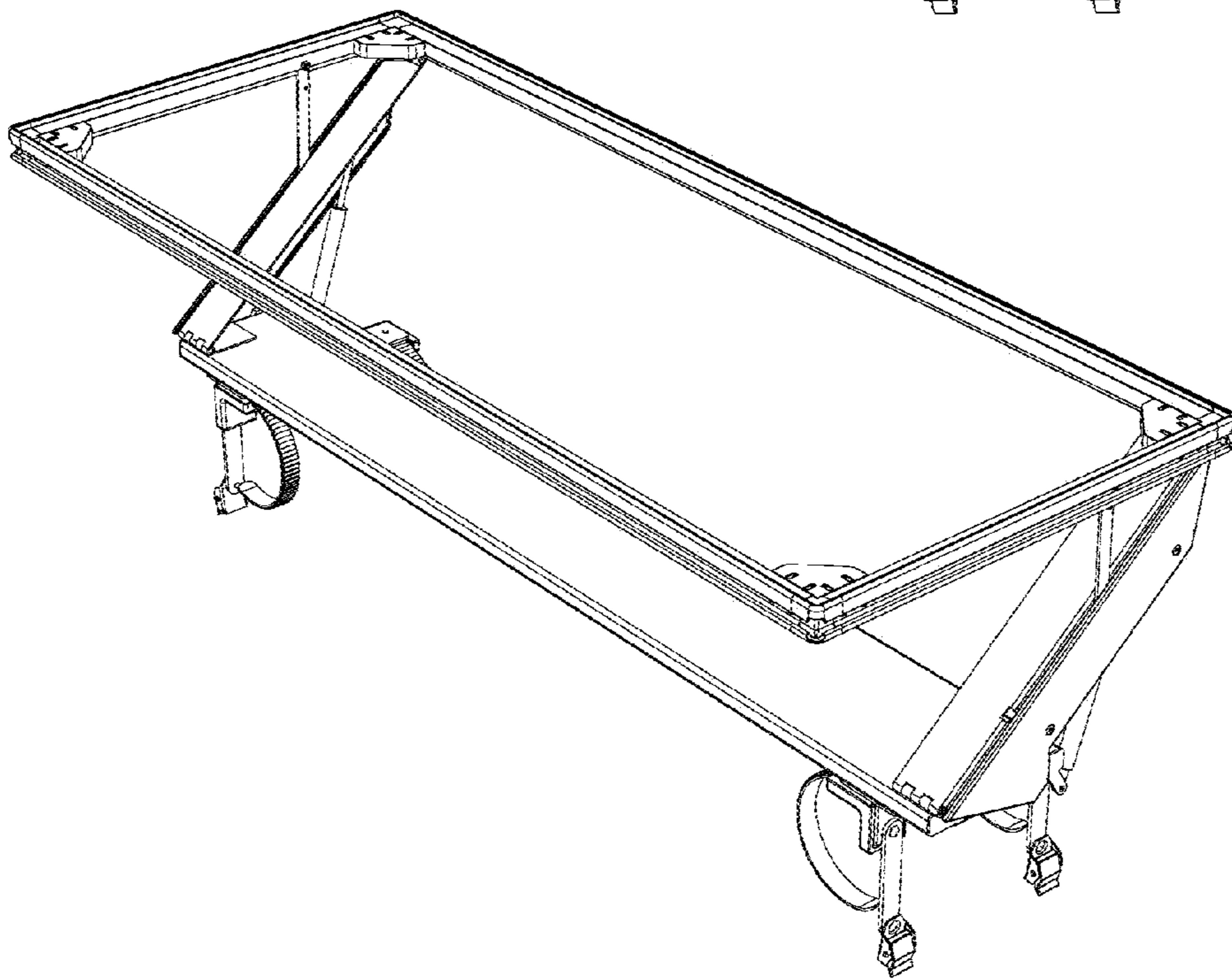


Fig. 14

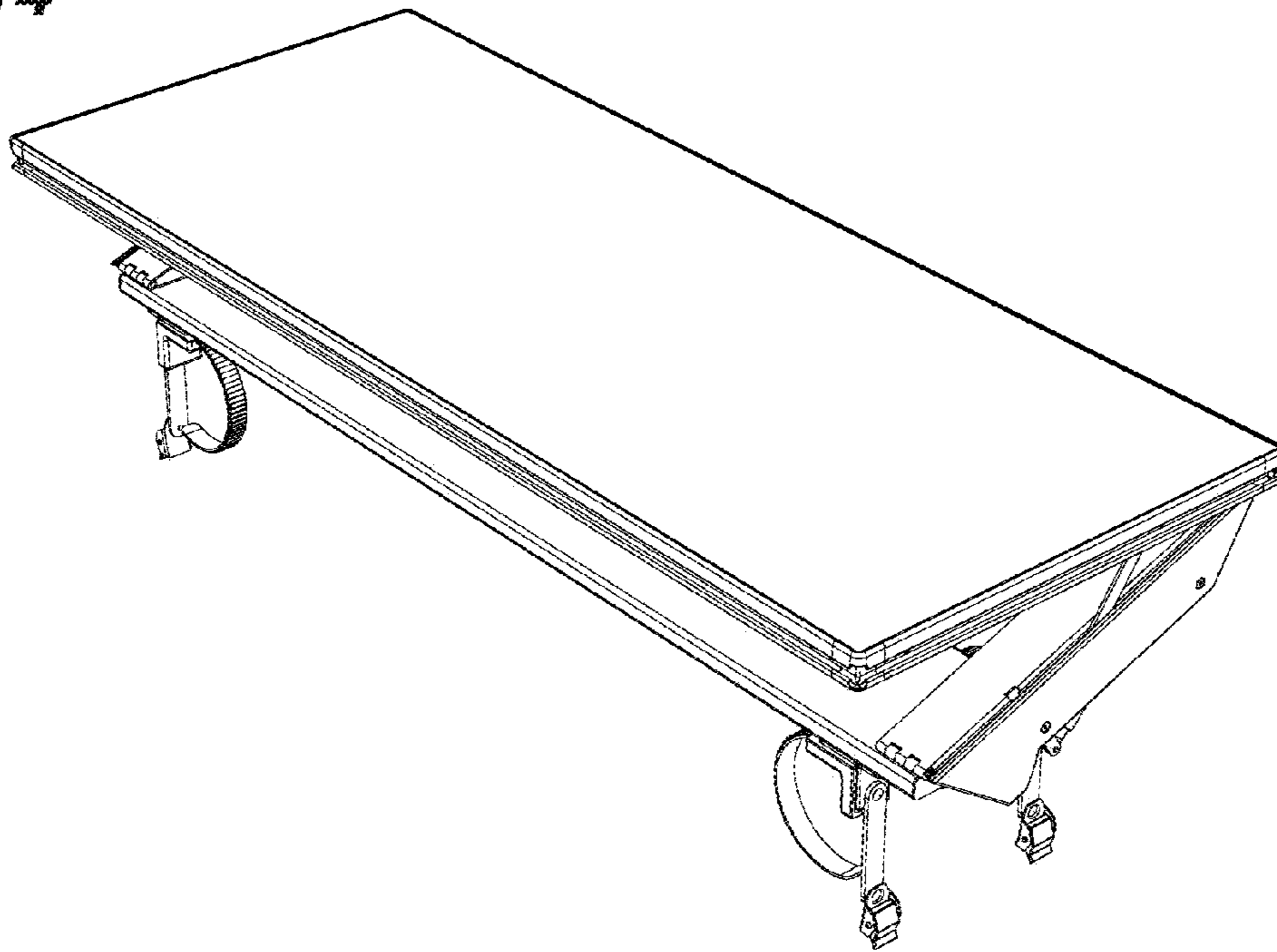


Fig. 15

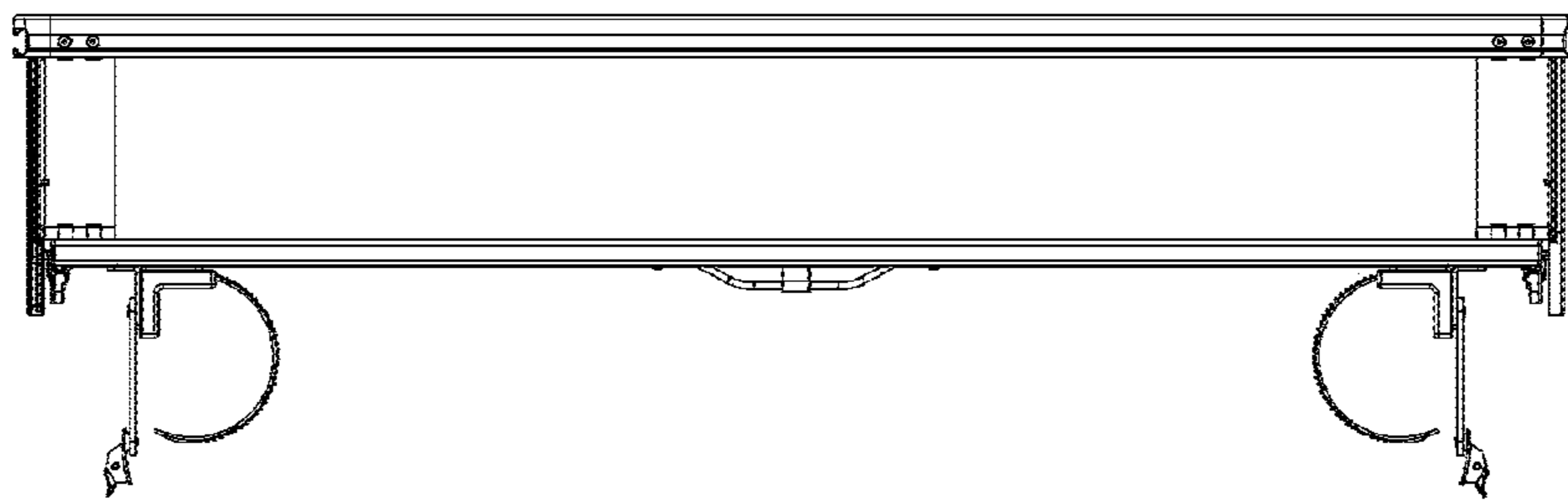


Fig. 16

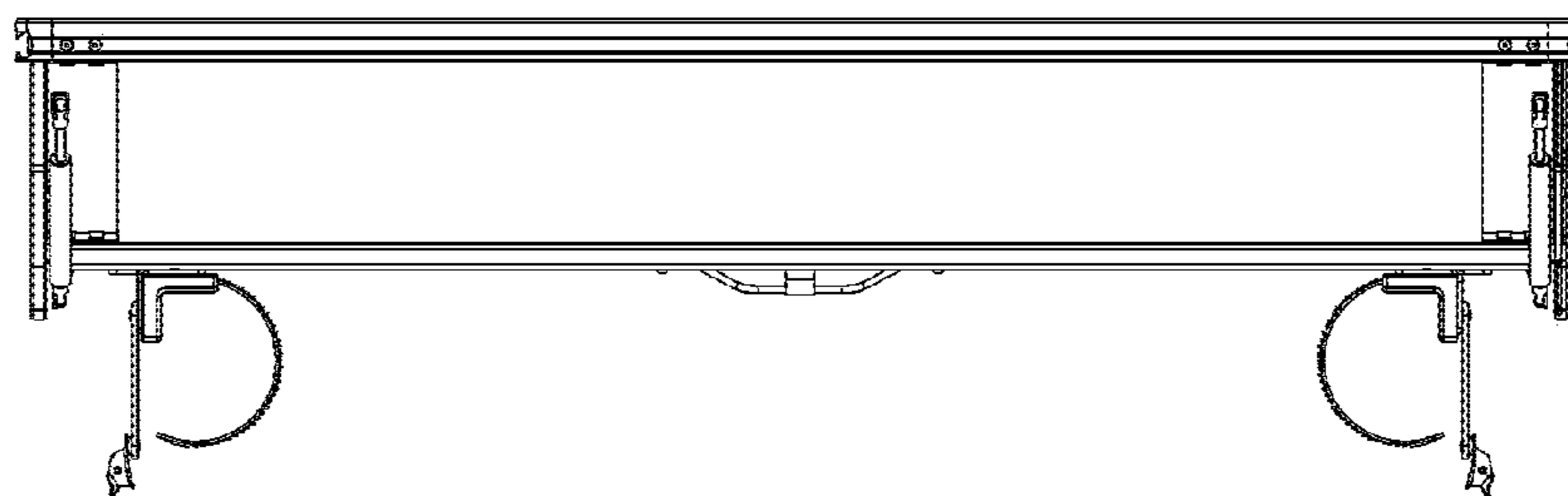


Fig. 17

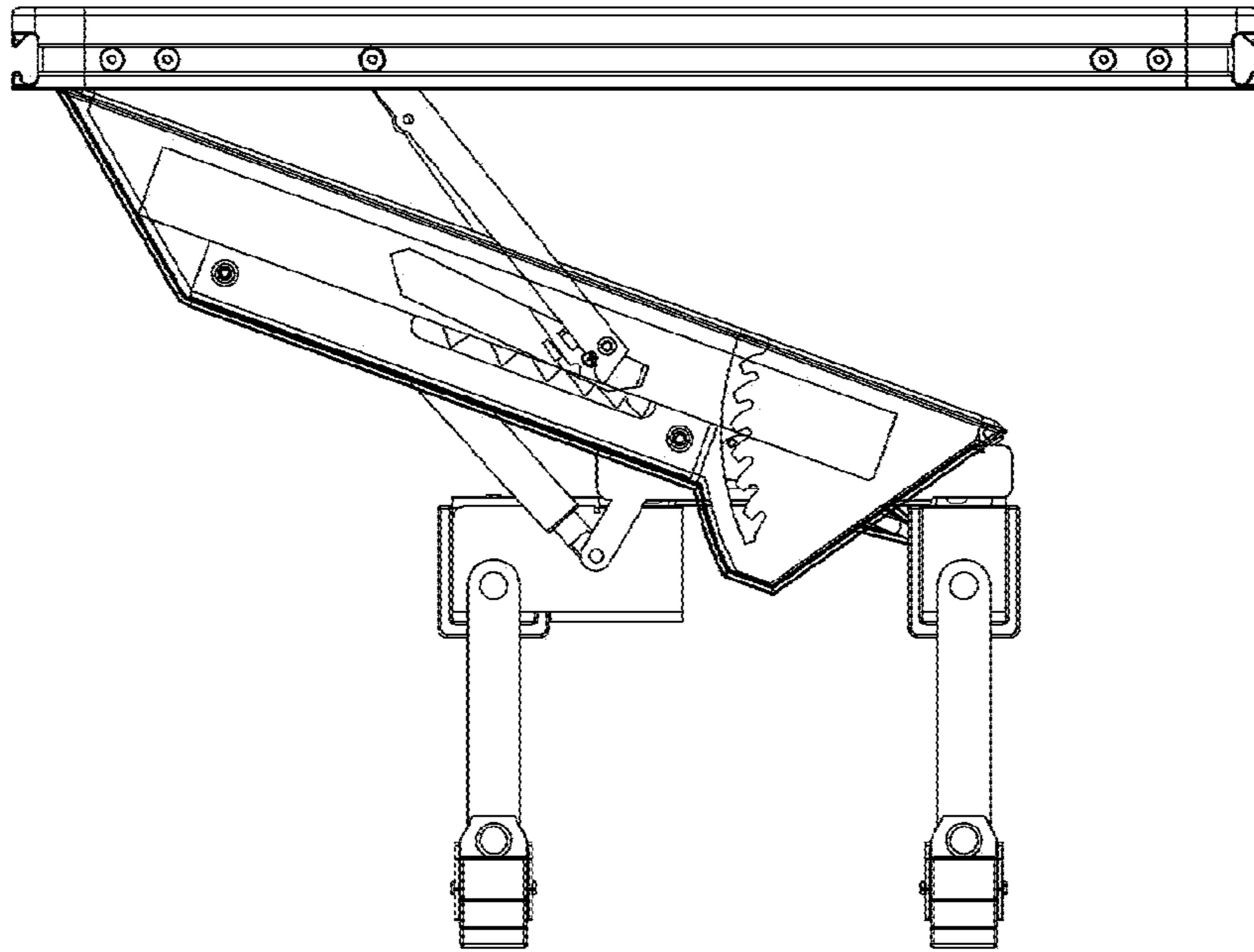


Fig. 18

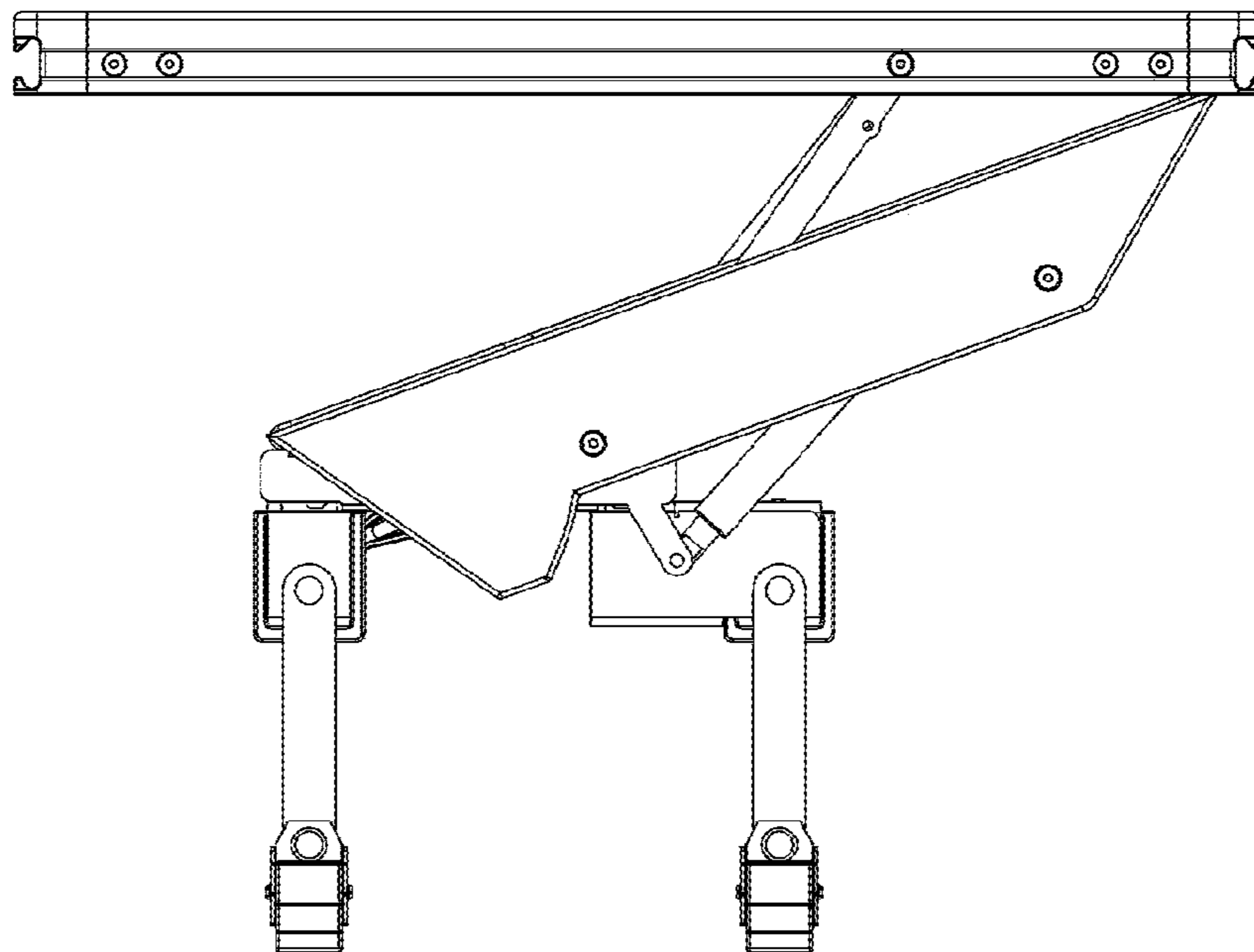


Fig. 19

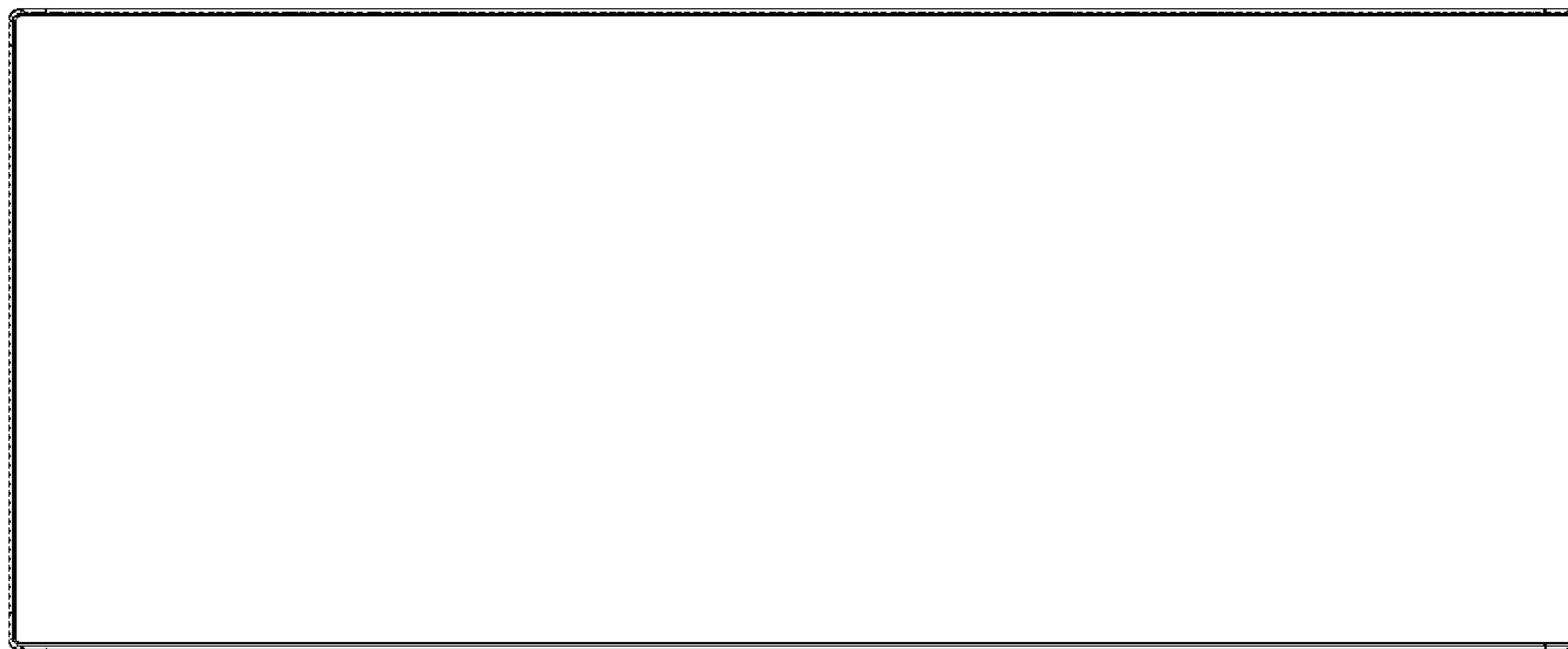


Fig. 20

