



US00D734412S

(12) **United States Design Patent**
Butler et al.

(10) **Patent No.:** **US D734,412 S**
(45) **Date of Patent:** **** Jul. 14, 2015**

(54) **COMPACT PORTABLE LEG EXERCISE MACHINE**

4,211,404 A 7/1980 Blowsky et al.
4,248,421 A 2/1981 Salazar
4,279,415 A 7/1981 Katz

(Continued)

(71) Applicants: **Ying Y. Butler**, Pasadena, CA (US);
John W. Butler, Pasadena, CA (US)

FOREIGN PATENT DOCUMENTS

(72) Inventors: **Ying Y. Butler**, Pasadena, CA (US);
John W. Butler, Pasadena, CA (US)

AU 2010201559 A1 11/2010
CN ZL 201120354336 5/2012

(Continued)

(**) Term: **14 Years**

OTHER PUBLICATIONS

(21) Appl. No.: **29/490,270**

Sit-N-Stroll Portable Foot Exerciser shown on webpage: <http://www.amazon.com/Sun-Mate-Corp-Sit-N-Stroll-Portable-Exerciser/dp/B0002L9R7E>; Display date: believed to have published before the filing of this application. Retrieval date: May 13, 2014.

(Continued)

(22) Filed: **May 8, 2014**

(51) **LOC (10) Cl.** **21-02**

(52) **U.S. Cl.**
USPC **D21/692**

(58) **Field of Classification Search**
USPC 482/79, 128, 127, 122, 126, 125, 131,
482/49, 92, 111, 121, 77, 51, 124, 148;
D21/688, 686, 662, 685, 692, 684, 694,
D21/668; D9/434; D6/601, 351; D8/394,
D8/395, 72; 36/7.8; D32/64; D24/135,
D24/212; 128/DIG. 25; 600/41
See application file for complete search history.

Primary Examiner — Robert M Spear
Assistant Examiner — Ryan Harvey
(74) *Attorney, Agent, or Firm* — Knobbe Martens Olson & Bear, LLP

(57) **CLAIM**
The ornamental design for a compact portable leg exercise machine, as shown and described.

DESCRIPTION

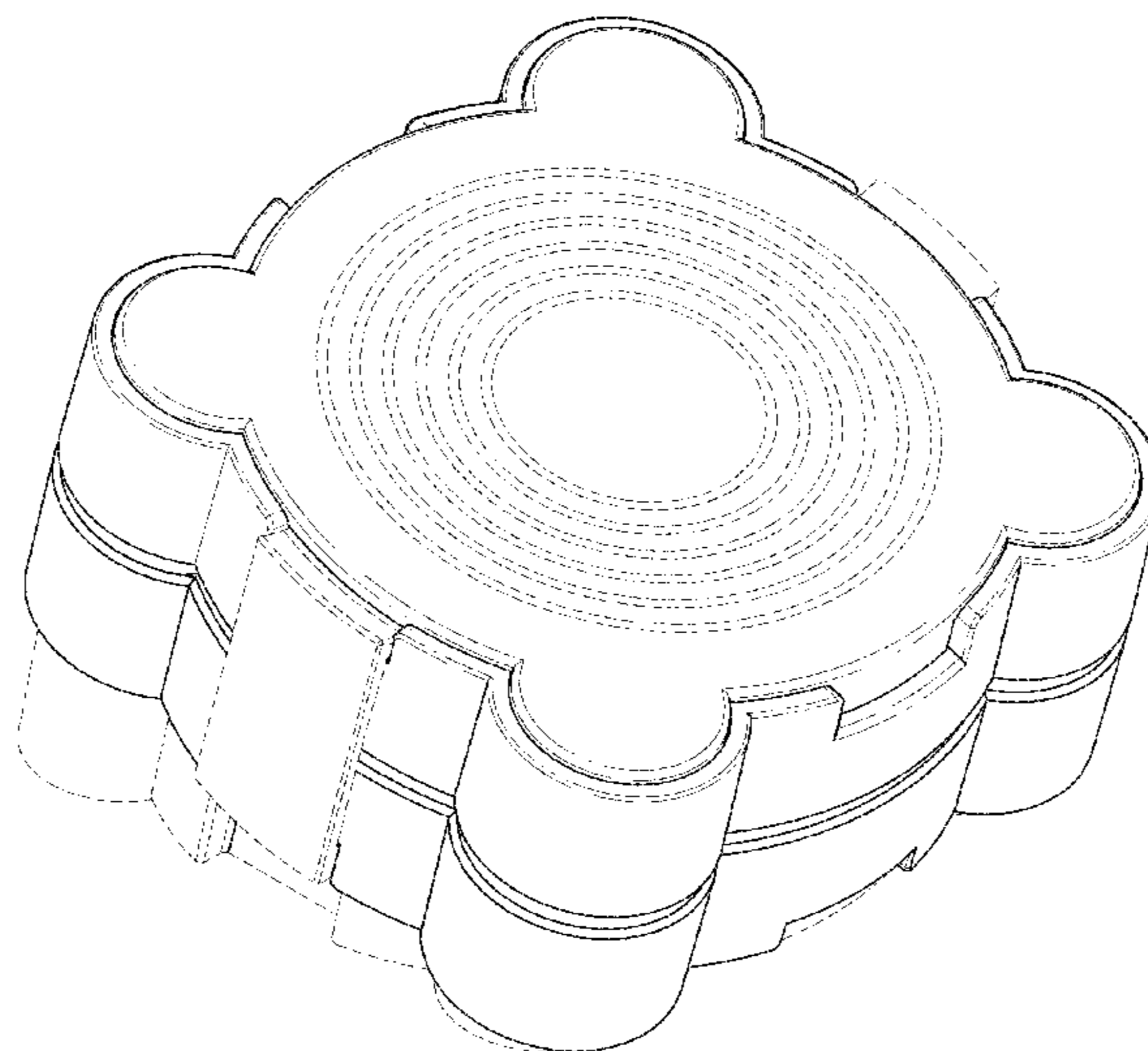
(56) **References Cited**

U.S. PATENT DOCUMENTS

406,328 A	7/1889	Yagn	
1,548,849 A	8/1925	Ruden	
1,613,538 A	1/1927	Schad	
2,022,002 A	11/1935	Jacks	
2,494,094 A	1/1950	Horstman	
2,830,816 A	4/1958	Uhl	
D185,322 S *	5/1959	Scholl D24/212
3,228,392 A	1/1966	Speyer	
3,295,847 A	1/1967	Matt, Sr.	
3,497,216 A	2/1970	Feather	
3,497,217 A	2/1970	Feather	
3,749,400 A	7/1973	Stoffel	
4,111,416 A	9/1978	Jinotti	

FIG. 1 is a perspective top view of the compact portable leg exercise machine in the closed position;
FIG. 2 is a front view thereof;
FIG. 3 is a rear view thereof;
FIG. 4 is a left side view thereof, the right side view being a mirror image;
FIG. 5 is a top view thereof;
FIG. 6 is a bottom view thereof; and,
FIG. 7 is a perspective top view of the compact portable leg exercise machine in the extended position.
The broken lines illustrate portions of the design that form no part of the claim, such as the base portion, the side connectors and the circles on the top member in FIG. 1.

1 Claim, 7 Drawing Sheets



(56)

References Cited

U.S. PATENT DOCUMENTS

4,371,160 A 2/1983 Shooltz
 4,501,421 A 2/1985 Kane et al.
 4,660,299 A 4/1987 Omilusik
 4,739,986 A 4/1988 Kucharik et al.
 4,775,148 A * 10/1988 McLaughlin 482/124
 4,909,506 A 3/1990 Smith
 4,911,437 A 3/1990 Schulkin
 5,050,875 A 9/1991 Lewkovich
 5,069,445 A 12/1991 Mai
 5,154,685 A 10/1992 Chen
 5,197,934 A 3/1993 Wirtz
 5,352,173 A 10/1994 McLaughlin
 5,413,543 A 5/1995 Drago
 D383,813 S * 9/1997 Zoller D21/685
 5,690,594 A 11/1997 Mankovitz
 D397,746 S * 9/1998 Drach et al. D21/668
 6,024,678 A 2/2000 Solomon
 6,402,667 B1 6/2002 Dahn
 6,402,669 B1 6/2002 Olstad
 6,705,975 B2 3/2004 Kuo
 6,709,368 B1 3/2004 Chue
 6,743,159 B1 6/2004 Taylor et al.
 6,796,928 B1 9/2004 Christopher et al.
 6,976,939 B2 12/2005 Harker et al.
 7,645,221 B1 1/2010 Curry
 7,824,315 B2 11/2010 Piaget et al.
 D631,107 S * 1/2011 Gillis D21/685
 8,029,420 B1 10/2011 Thati
 8,105,219 B1 1/2012 Sloan et al.
 8,133,160 B2 3/2012 Verheem
 D666,013 S * 8/2012 Harrison D6/351
 D671,998 S * 12/2012 Rodriguez, Jr. D21/686
 8,617,033 B2 12/2013 Stewart
 D722,349 S * 2/2015 Smyth D21/694
 D724,162 S * 3/2015 James D21/688
 D726,844 S * 4/2015 Mathew et al. D21/685

2007/0298949 A1 12/2007 Soletski
 2012/0214650 A1 8/2012 Jahns
 2014/0162852 A1 6/2014 Ho et al.

FOREIGN PATENT DOCUMENTS

GB 2404877 2/2005
 JP 60-106468 A 6/1985
 SU 791377 12/1980

OTHER PUBLICATIONS

Blood Circulation Sitting Walker and Massager shown on webpage: http://www.amazon.com/Blood-Circulation-Sitting-Walker-Massager/dp/B002MNDUIW/ref=cm_cr_pr_product_top; Display date: believed to have published before the filing of this application. Retrieval date: May 13, 2014.
 Mini Sit N Stroll Blood Circulation Walk While Seated Airplanes Office shown on webpage: http://compare.ebay.com/like/380329476060?var=lv<yp=AllFixedPriceItemTypes&var=sbar&_Iwgsi=y; Display date: believed to have published before the filing of this application. Retrieval date: May 13, 2014.
 Nordic Track Mini Stepper and Exercise Peddler shown on webpage: http://www.nordictrack.com/webapp/wcs/stores/servlet/Product_1_10301_12401_19555_71701; Display date: believed to have published before the filing of this application. Retrieval date: May 13, 2014.
 Exercise Peddler shown on webpage: http://www.amazon.com/gp/product/B002VWK09Q/ref=pd_lpo_k2_dp_sr_1?pf_rd_p=486539851&pf_rd_s=lpo-top-stripe-1&pf_rd_t=201&pf_rd_i=B0018Q1BTY&pf_rd_m=ATVPDIKX0DER&pf_r=1KNAQA2AJZNF4ZE1Z9CR; Display date: believed to have published before the filing of this application. Retrieval date: May 13, 2014.
 Notice of Allowance mailed on Aug. 22, 2014 in U.S. Appl. No. 14/272,772.

* cited by examiner

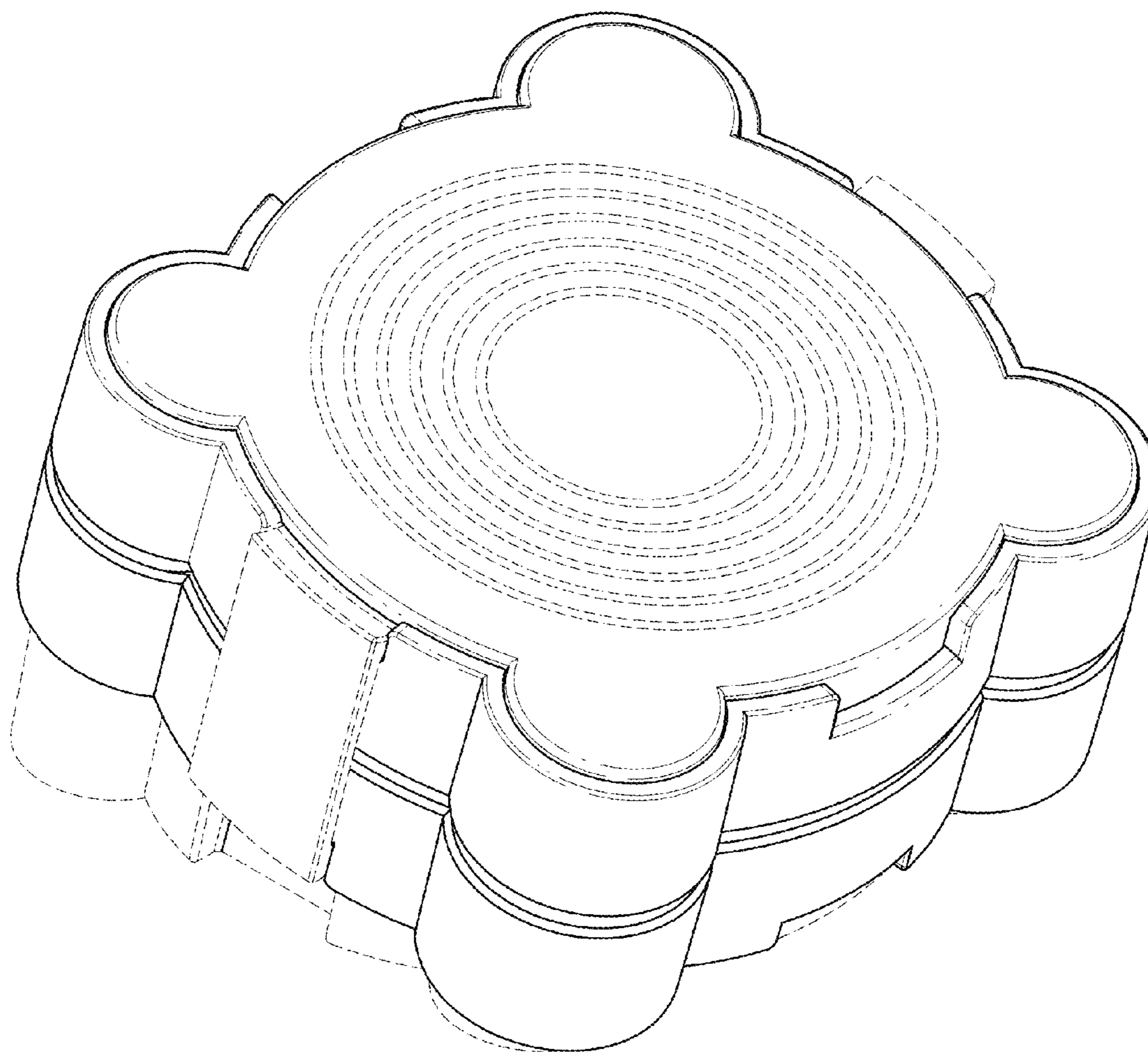


FIG. 1

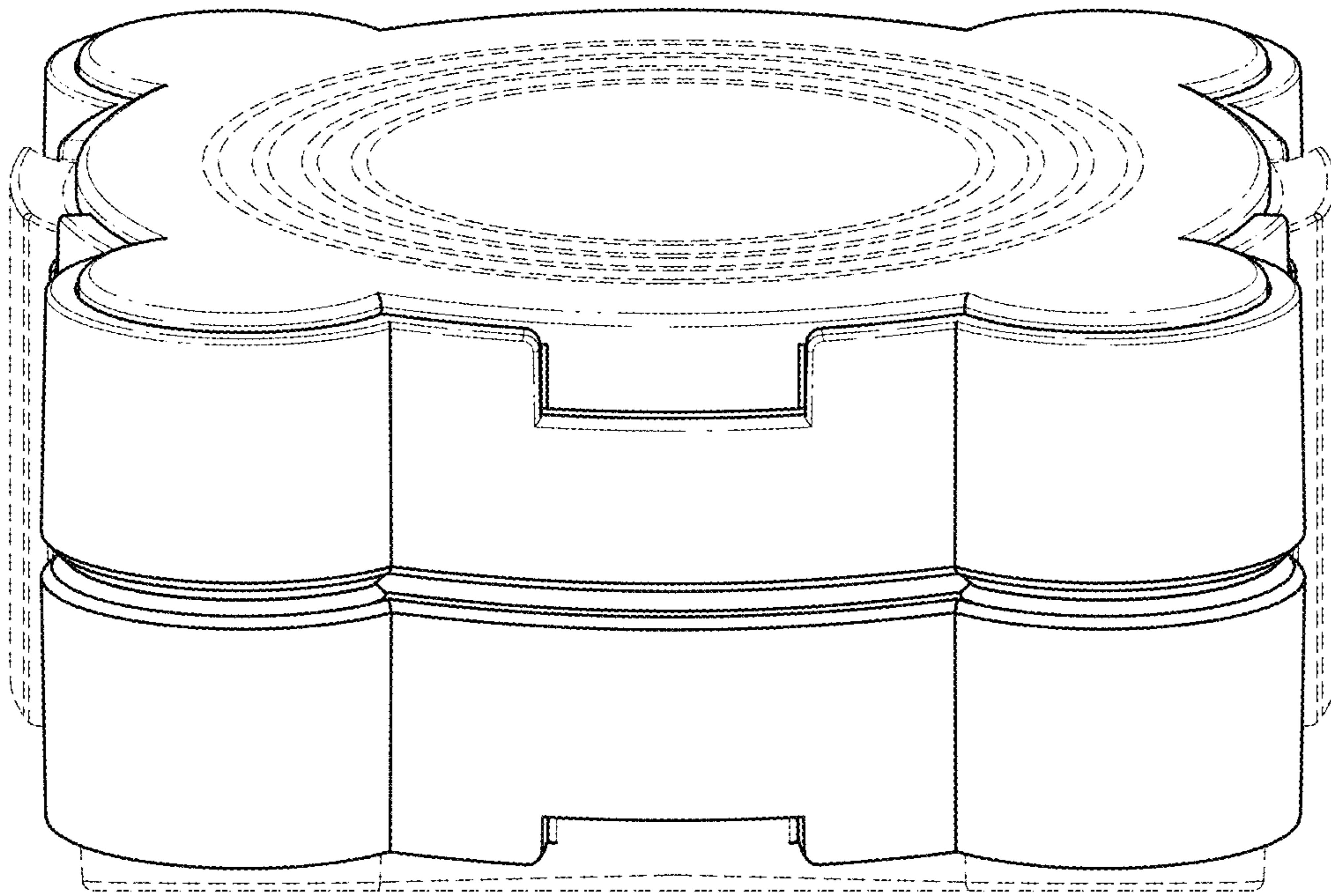


FIG. 2

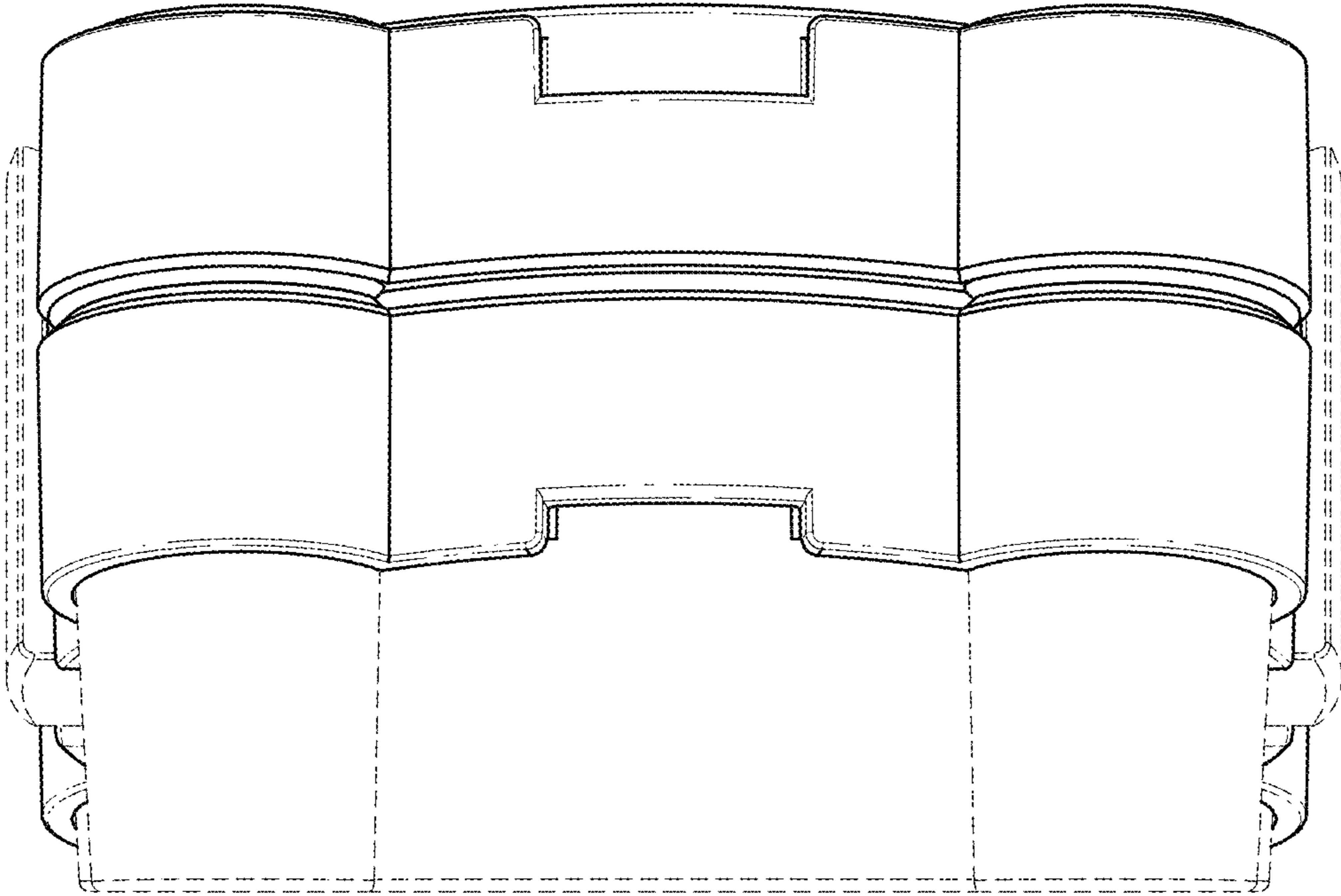


FIG. 3

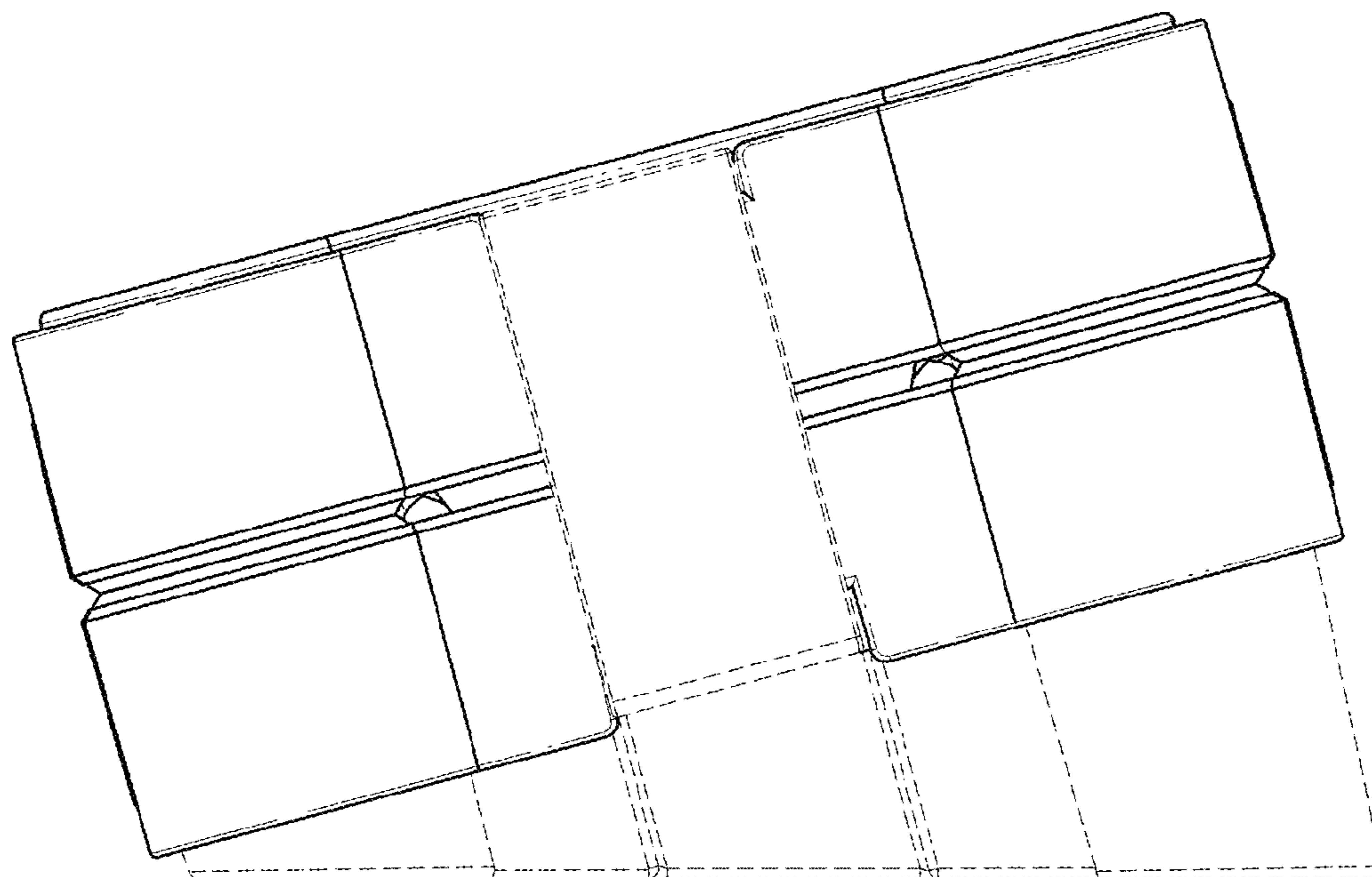


FIG. 4

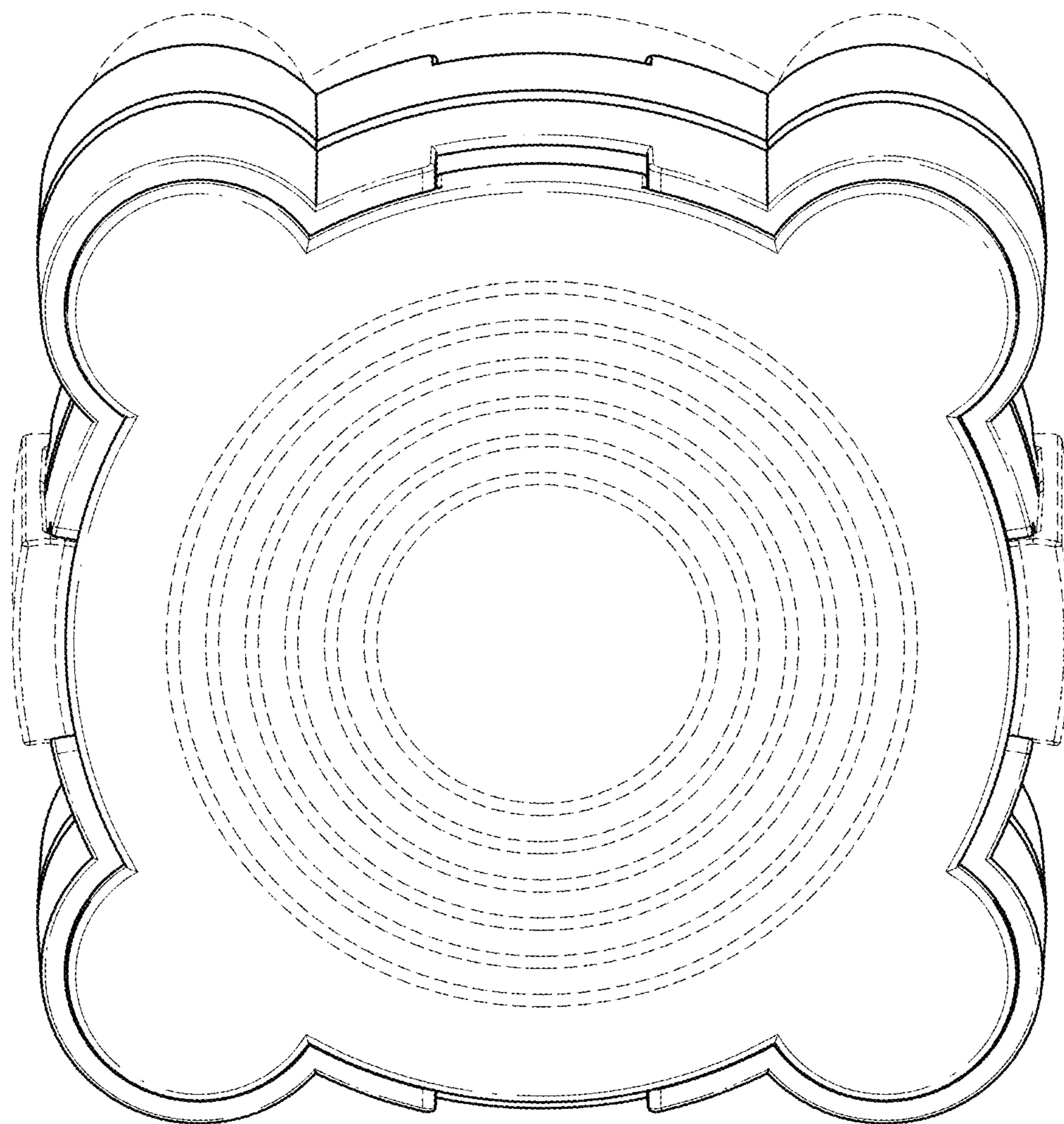


FIG. 5

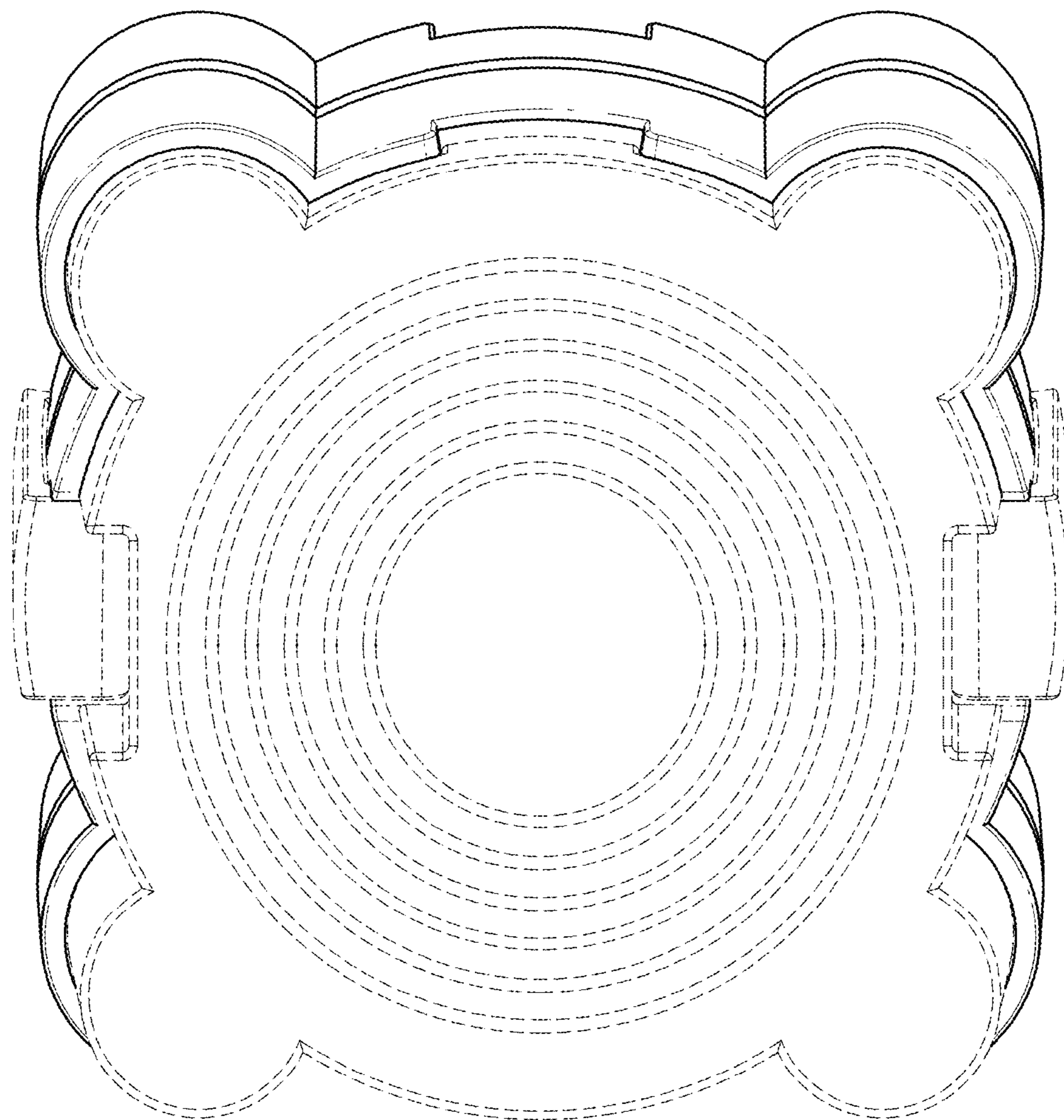


FIG. 6

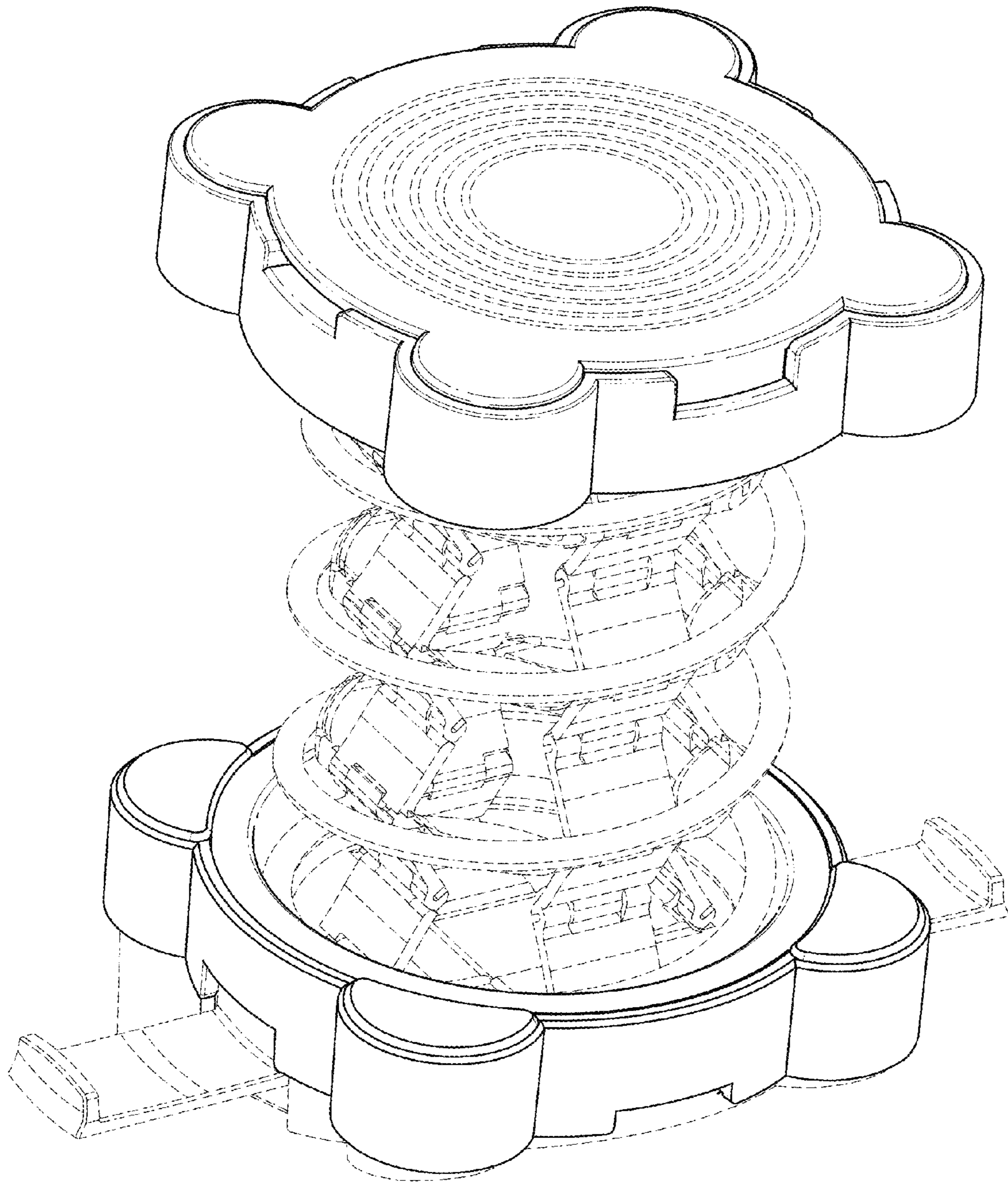


FIG. 7

UNITED STATES PATENT AND TRADEMARK OFFICE
CERTIFICATE OF CORRECTION

PATENT NO. : D734,412 S
APPLICATION NO. : 29/490270
DATED : July 14, 2015
INVENTOR(S) : Ying Y. Butler and John W. Butler

Page 1 of 1

It is certified that error appears in the above-identified patent and that said Letters Patent is hereby corrected as shown below:

Title Page

At page 1, item 57, line 15, please delete “compact portable leg exercise machine” and insert
--COMPACT PORTABLE LEG EXERCISE MACHINE--, therefor.

Signed and Sealed this
Twenty-fourth Day of May, 2016



Michelle K. Lee
Director of the United States Patent and Trademark Office