

US00D734409S

(12) **United States Design Patent**
Campanaro et al.

(10) **Patent No.:** **US D734,409 S**
(45) **Date of Patent:** **** Jul. 14, 2015**

(54) **EXERCISE DEVICE**

(71) Applicants: **Total Gym Global Corp.**, San Diego, CA (US); **Total Gym Commercial LLC**, San Diego, CA (US)

(72) Inventors: **Thomas J. Campanaro**, Rancho Santa Fe, CA (US); **Jesse Thomas Campanaro**, San Diego, CA (US); **Randall S. Bergstedt**, San Diego, CA (US); **Dan McCutcheon**, San Diego, CA (US)

(73) Assignee: **Total Gym Global Corp.**, San Diego, CA (US)

(**) Term: **14 Years**

(21) Appl. No.: **29/470,171**

(22) Filed: **Oct. 17, 2013**

(51) **LOC (10) Cl.** **21-02**

(52) **U.S. Cl.**
USPC **D21/686**

(58) **Field of Classification Search**
USPC D21/662, 674, 676, 686, 687, 688, 689, D21/694; 482/70-72, 953-956, 112, 114, 482/121, 130-132, 135, 140, 142
CPC A63B 21/068; A63B 21/154; A63B 22/0076; A63B 22/0087; A63B 23/0211; A63B 22/0023
See application file for complete search history.

(56) **References Cited**

U.S. PATENT DOCUMENTS

5,295,931 A * 3/1994 Dreibelbis et al. 482/72
5,518,484 A * 5/1996 Bruckenstein 482/131

D425,585 S *	5/2000	Wu	D21/676
D476,384 S *	6/2003	Perez	D21/690
6,705,975 B2 *	3/2004	Kuo	482/79
7,455,633 B2 *	11/2008	Brown et al.	482/142
D599,419 S *	9/2009	Chiuchiarelli	D21/686
7,775,950 B2 *	8/2010	Campanaro et al.	482/130
D633,158 S *	2/2011	Bruschke et al.	D21/686
8,033,970 B2 *	10/2011	Campanaro et al.	482/142
D694,347 S *	11/2013	Campanaro et al.	D21/676
2010/0227748 A1 *	9/2010	Campanaro et al.	482/140
2013/0109538 A1 *	5/2013	Ho	482/8
2013/0217550 A1 *	8/2013	Ehmann et al.	482/139
2014/0194260 A1 *	7/2014	Campanaro et al.	482/131

* cited by examiner

Primary Examiner — George D Kirschbaum

Assistant Examiner — Jennifer Watkins

(74) *Attorney, Agent, or Firm* — Stephen C. Beuerle; Procopio Cory Hargreaves & Savitch LLP

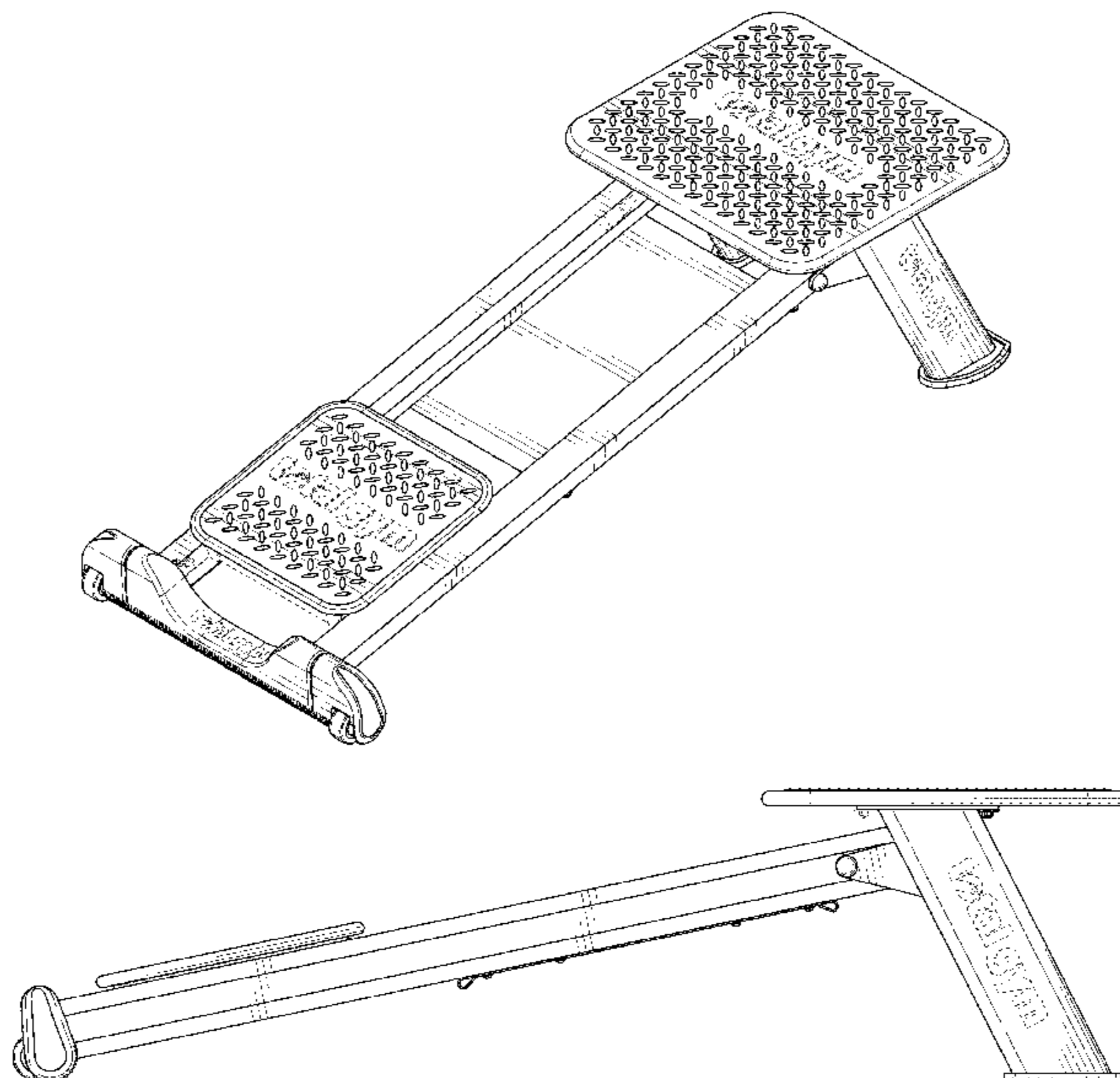
(57) **CLAIM**

The ornamental design for an exercise device, as shown and described.

DESCRIPTION

FIG. 1 is a perspective view of an exercise device; FIG. 2 is a front elevation view of the exercise device; FIG. 3 is a rear elevation view of the exercise device; FIG. 4 is a right side elevational view of the exercise device; FIG. 5 is a left side elevational view of the exercise device; FIG. 6 is a top plan view of the exercise device; and, FIG. 7 is a bottom plan view of the exercise device. Any broken lines shown in FIGS. 1-7 are included for the purpose of illustrating environmental elements only and form no part of the claimed design.

1 Claim, 6 Drawing Sheets



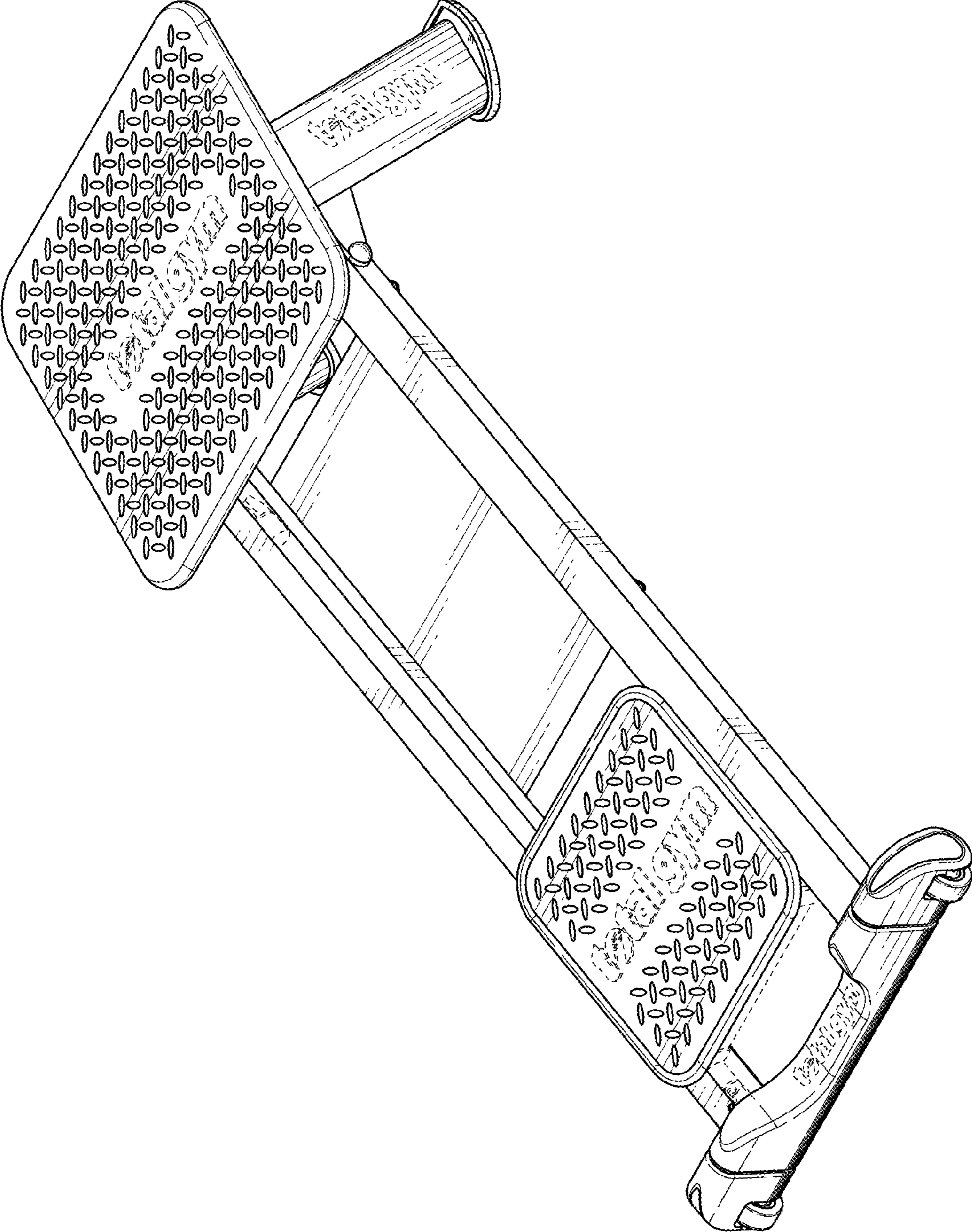


FIG. 1

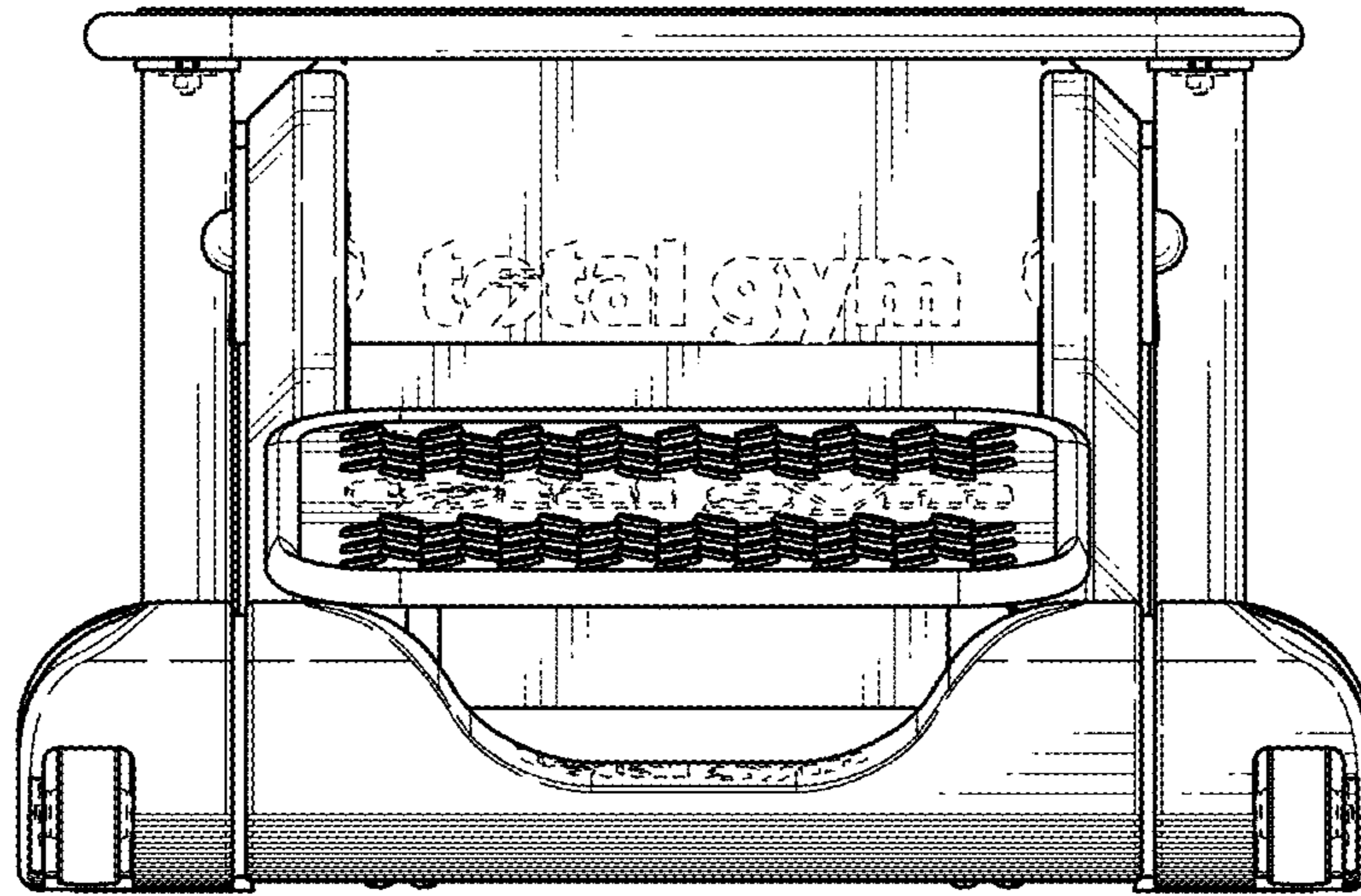


FIG. 2

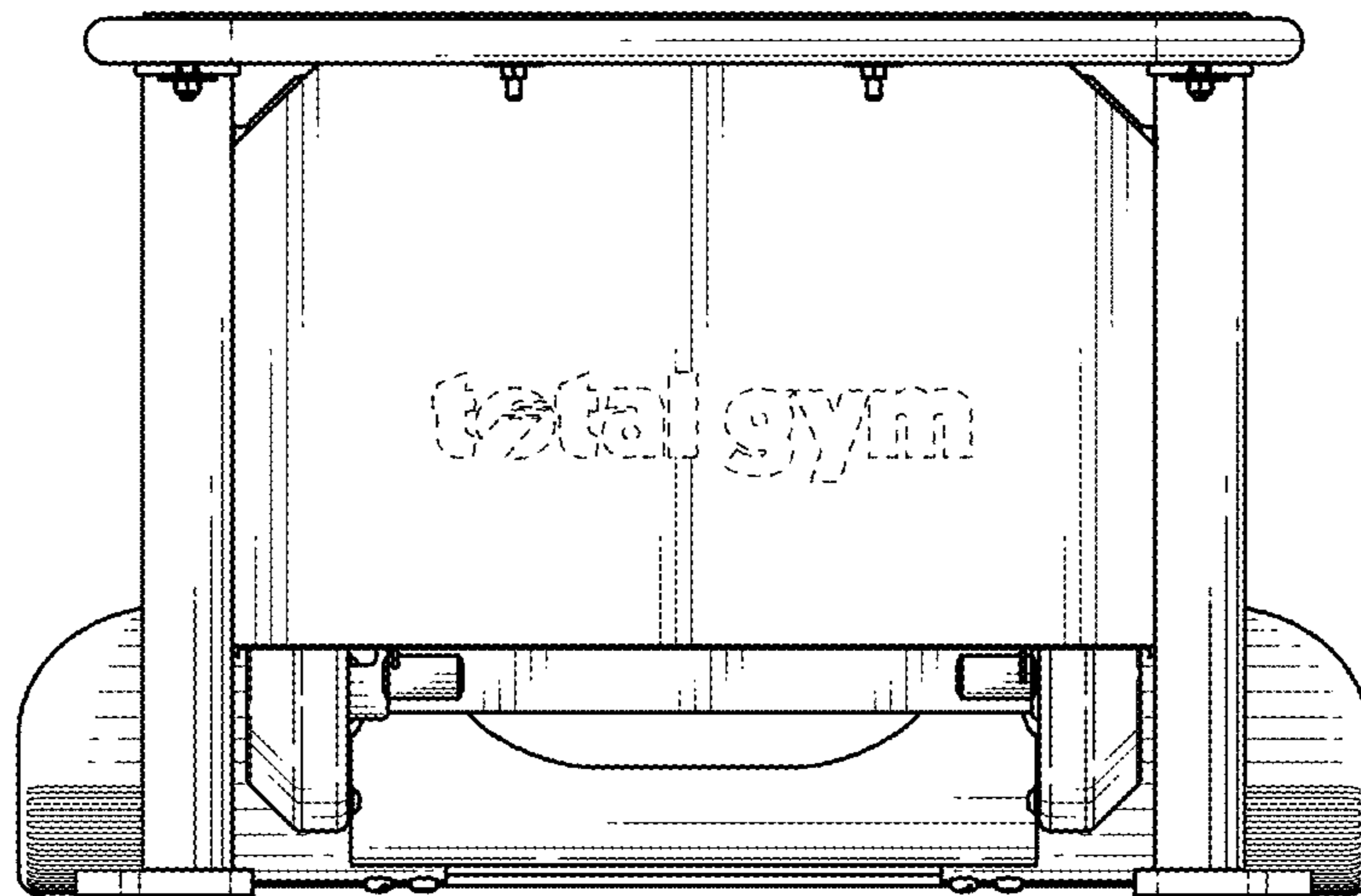


FIG. 3

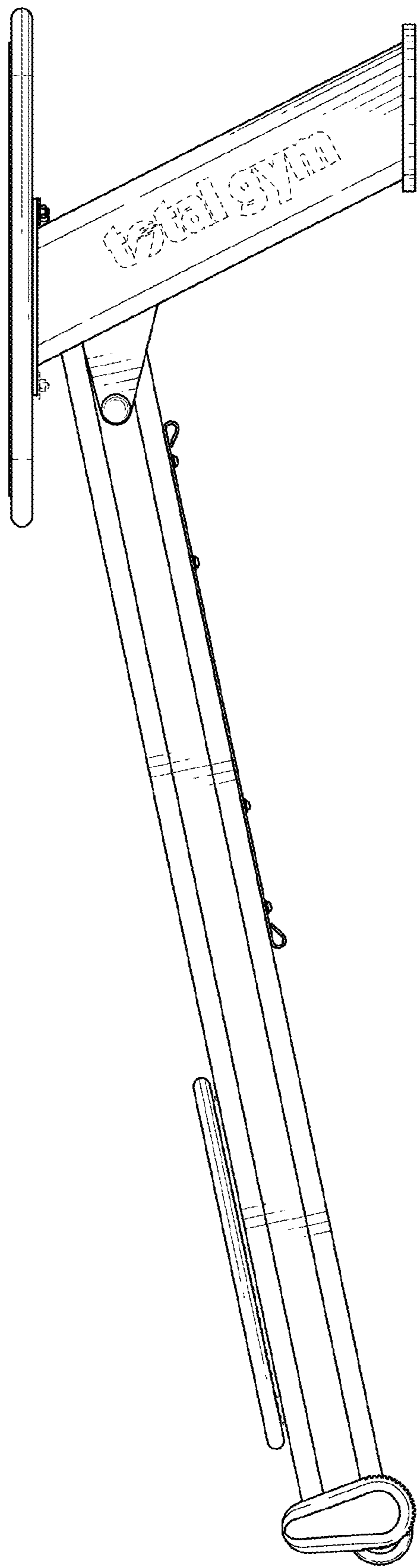


FIG. 4

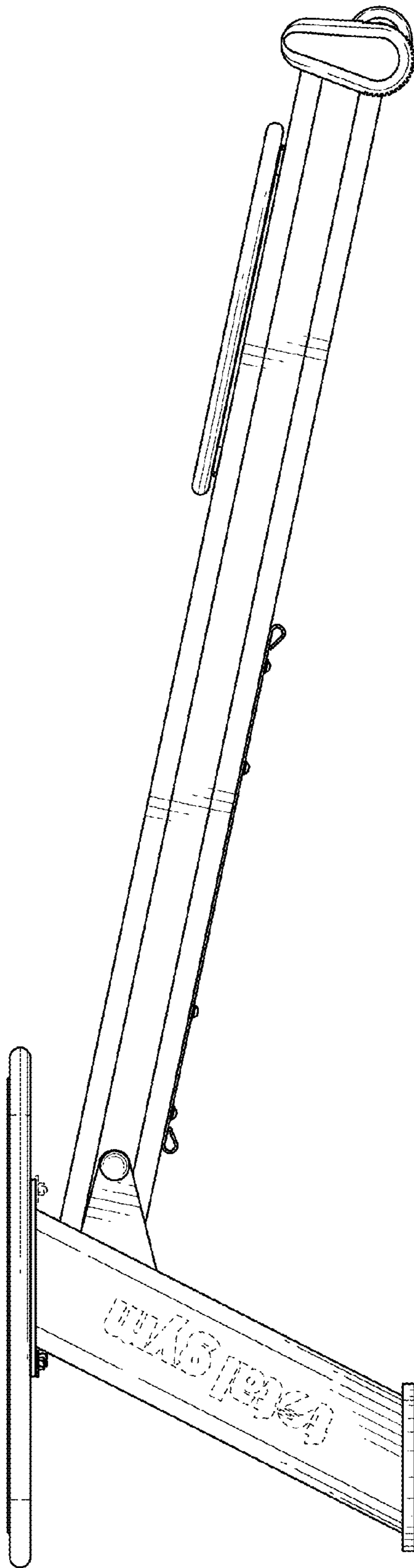


FIG. 5

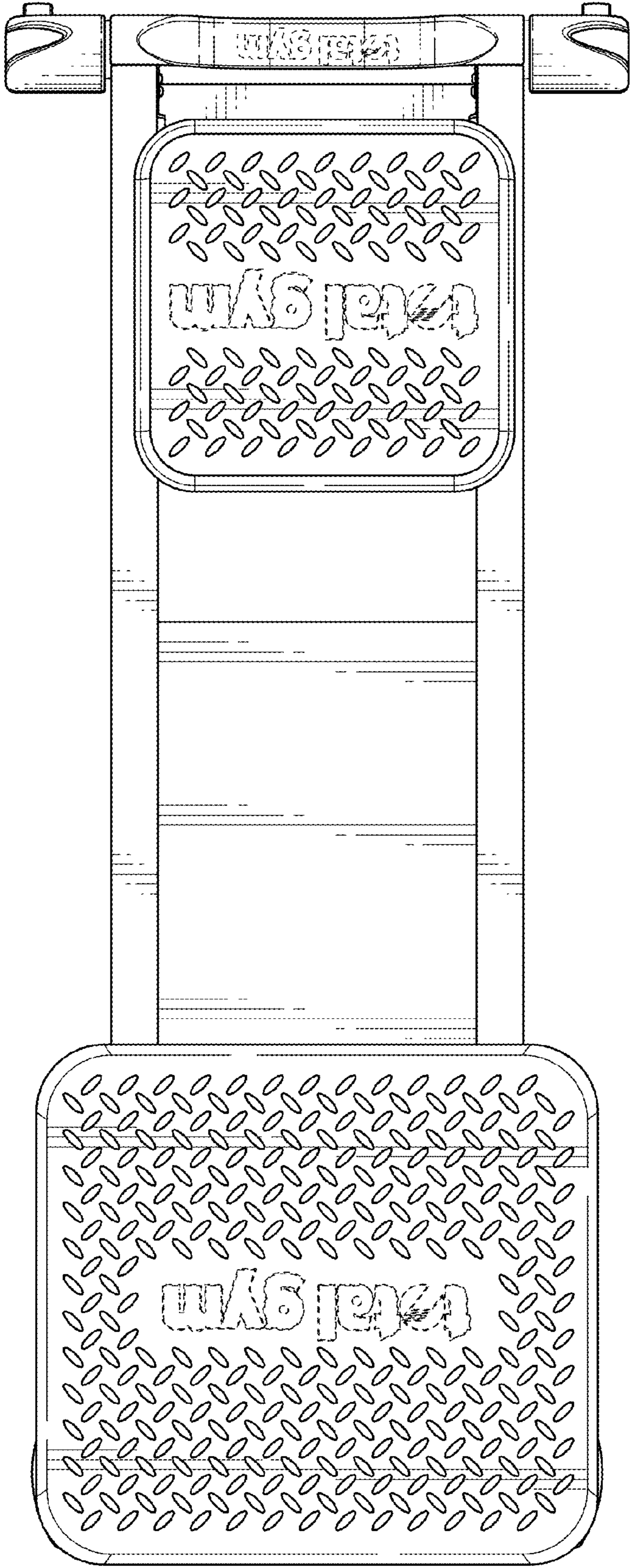


FIG. 6

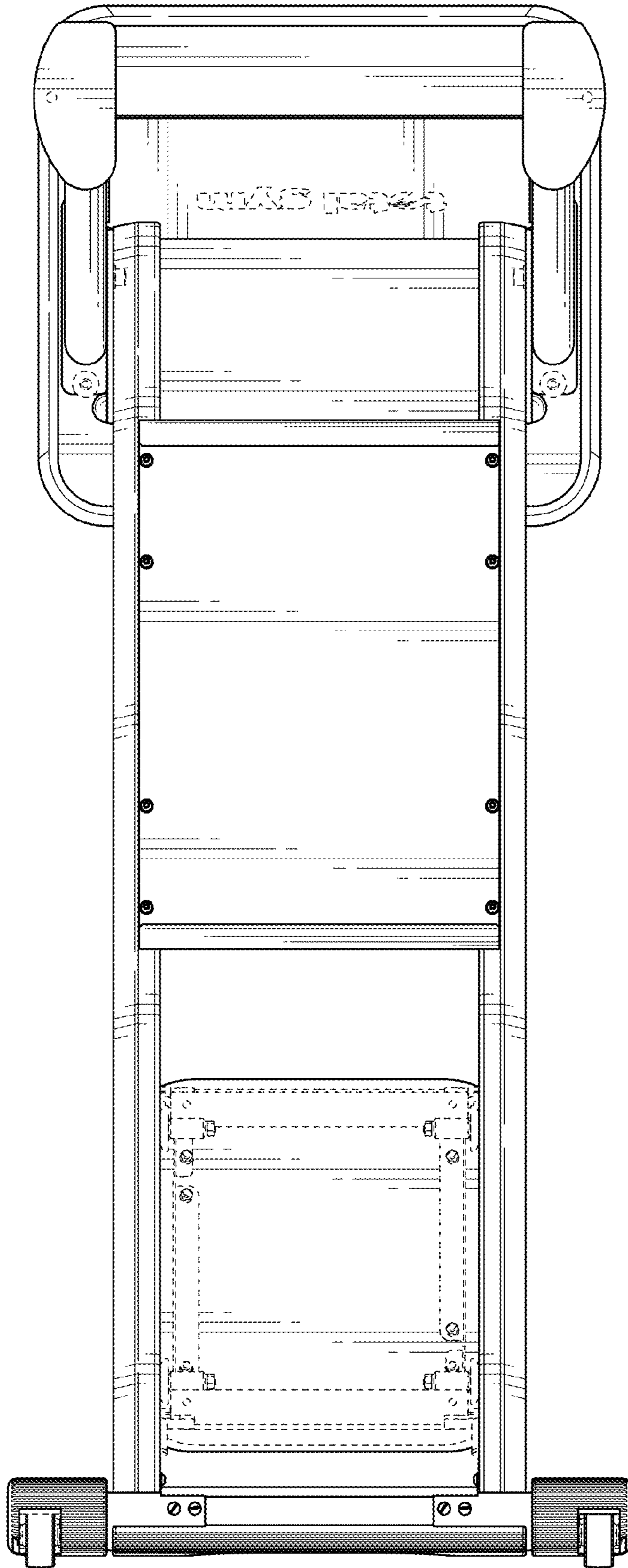


FIG. 7