



US00D734401S

(12) **United States Design Patent**  
**Warner et al.**

(10) **Patent No.:** **US D734,401 S**  
(45) **Date of Patent:** **\*\* Jul. 14, 2015**

(54) **TOY FLYER**  
(71) Applicant: **SEMCO PLASTIC COMPANY**, St. Louis, MO (US)  
(72) Inventors: **Scott K. Warner**, Lehi, UT (US);  
**Christian B. Poulsen**, Provo, UT (US)  
(73) Assignee: **Semco Plastic Company**, St. Louis, MO (US)  
(\*\*) Term: **14 Years**  
(21) Appl. No.: **29/472,676**  
(22) Filed: **Nov. 14, 2013**  
(51) **LOC (10) Cl.** ..... **21-01**  
(52) **U.S. Cl.**  
USPC ..... **D21/437**  
(58) **Field of Classification Search**  
USPC ..... D21/436, 437, 441, 443, 444, 453;  
D30/160  
CPC ..... A63B 65/00; A63B 2208/12; A63B  
2210/50; A63H 65/08; A63H 33/00; A63H  
33/18; A63H 33/185  
See application file for complete search history.

4,452,461 A \* 6/1984 O'Brien ..... 473/590  
4,817,961 A \* 4/1989 Stone ..... 473/590  
D322,642 S \* 12/1991 Crew ..... D21/437  
D340,480 S \* 10/1993 Cummings ..... D21/437  
5,490,678 A \* 2/1996 Darnell ..... 473/590  
5,906,529 A \* 5/1999 Spais ..... 446/36  
6,293,879 B2 \* 9/2001 Moore ..... 473/590  
6,443,861 B1 \* 9/2002 Foulke ..... 473/590

\* cited by examiner

*Primary Examiner* — Martie K Holtje  
(74) *Attorney, Agent, or Firm* — Workman Nydegger

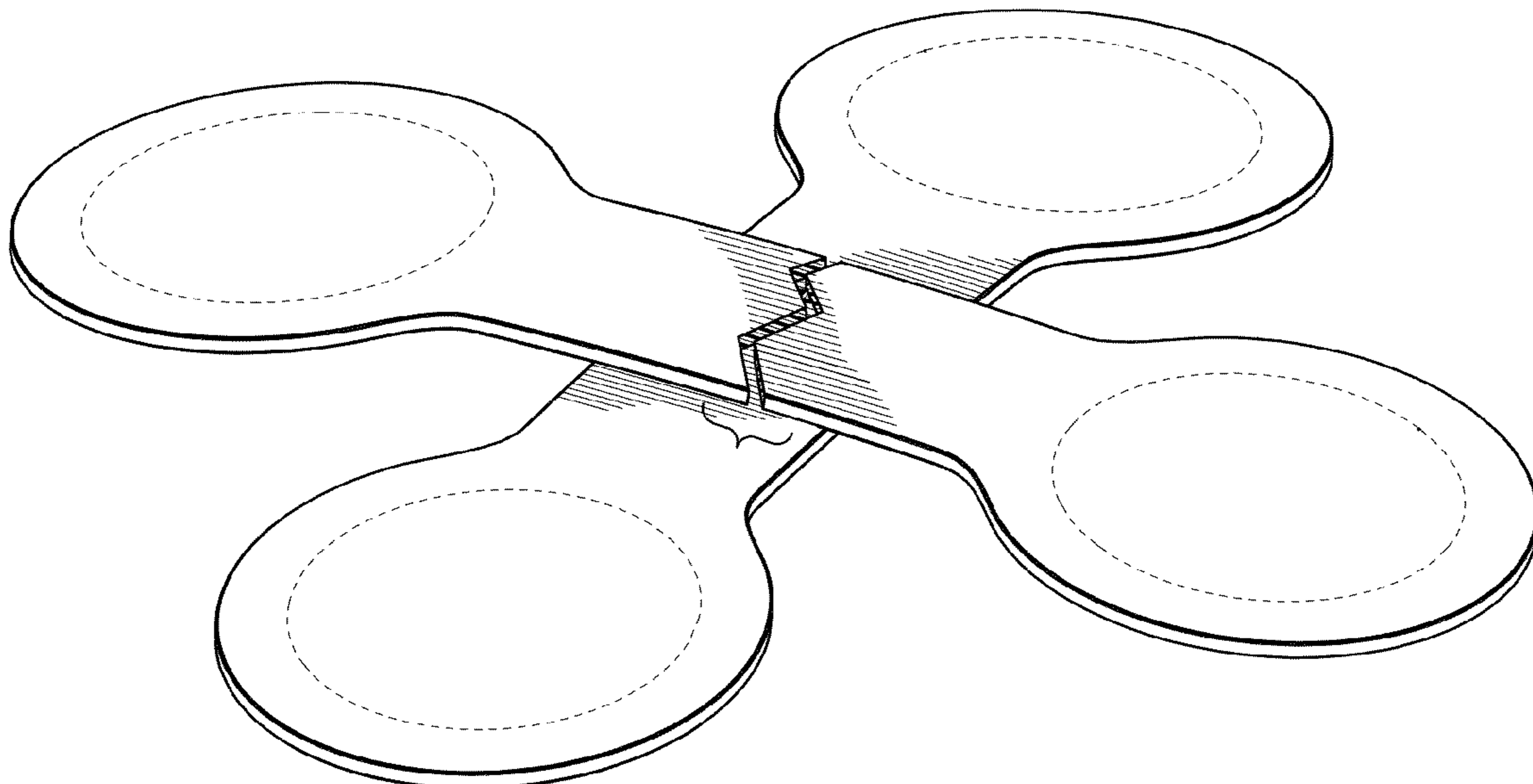
(57) **CLAIM**  
The ornamental design for a toy flyer, as shown and described.

**DESCRIPTION**

FIG. 1 is a perspective view of a toy flyer showing our new design.  
FIG. 2 is a front elevational view thereof;  
FIG. 3 is a rear elevational view thereof;  
FIG. 4 is a left elevational view thereof;  
FIG. 5 is a right elevational view thereof;  
FIG. 6 is a top plan view thereof;  
FIG. 7 is a bottom plan view thereof; and,  
FIG. 8 is a perspective view of the toy flyer shown in an optional, collapsed condition.  
The structural features depicted by broken lines have been shown for the purpose of illustrating portions of the claimed toy flyer that form no part of the claimed design.  
The toy flyer is shown with a symbolic break in its length. The appearance of any portion of the article between the break lines forms no part of the claimed design.

**1 Claim, 5 Drawing Sheets**

(56) **References Cited**  
U.S. PATENT DOCUMENTS  
692,608 A \* 2/1902 Bristow ..... 473/590  
3,814,431 A \* 6/1974 Callahan ..... 473/590  
D239,403 S \* 3/1976 Jarvis ..... D21/437  
4,216,962 A \* 8/1980 Flemming ..... 473/590  
4,284,278 A \* 8/1981 Bradford ..... 473/590



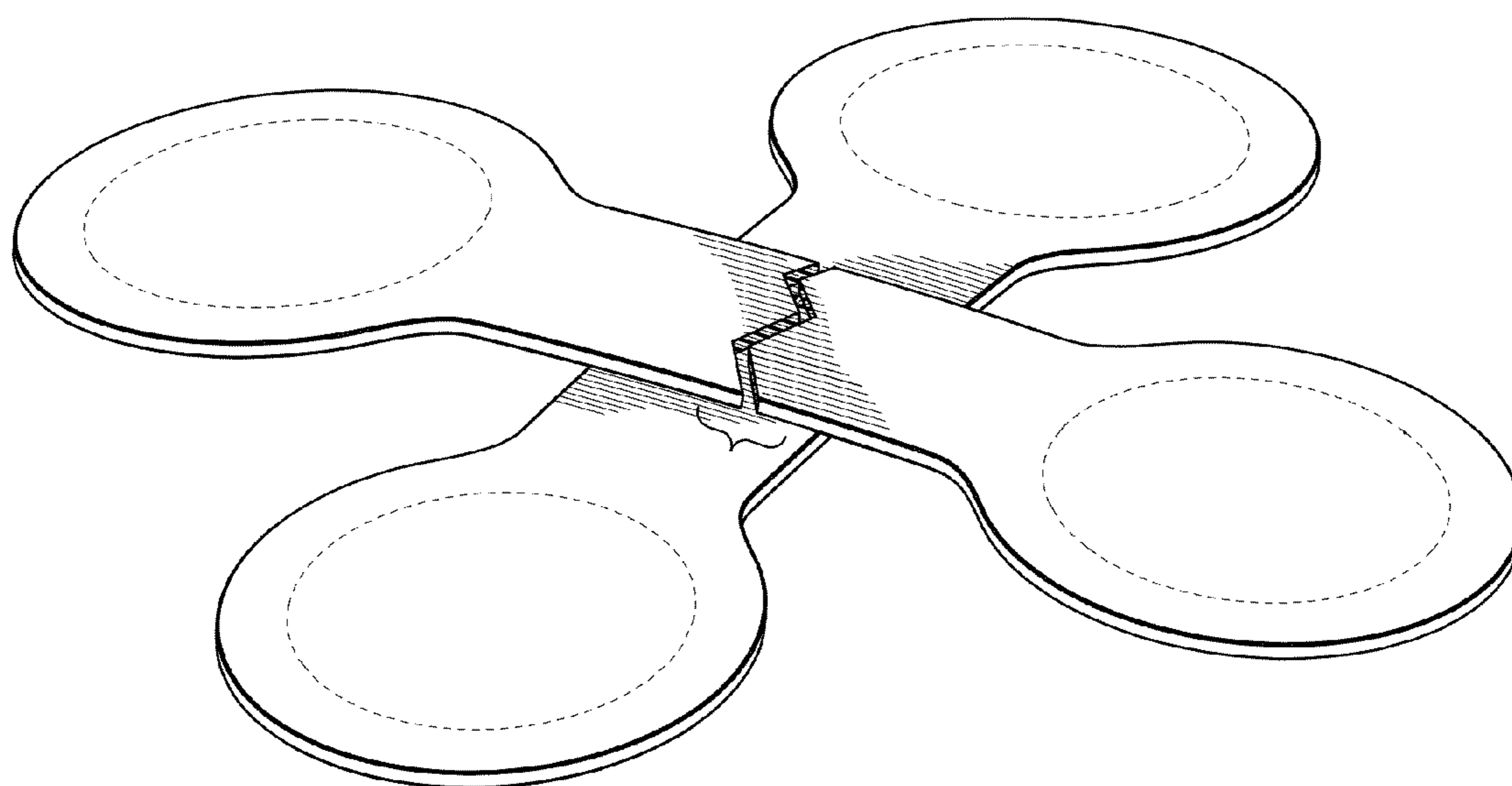


FIG. 1

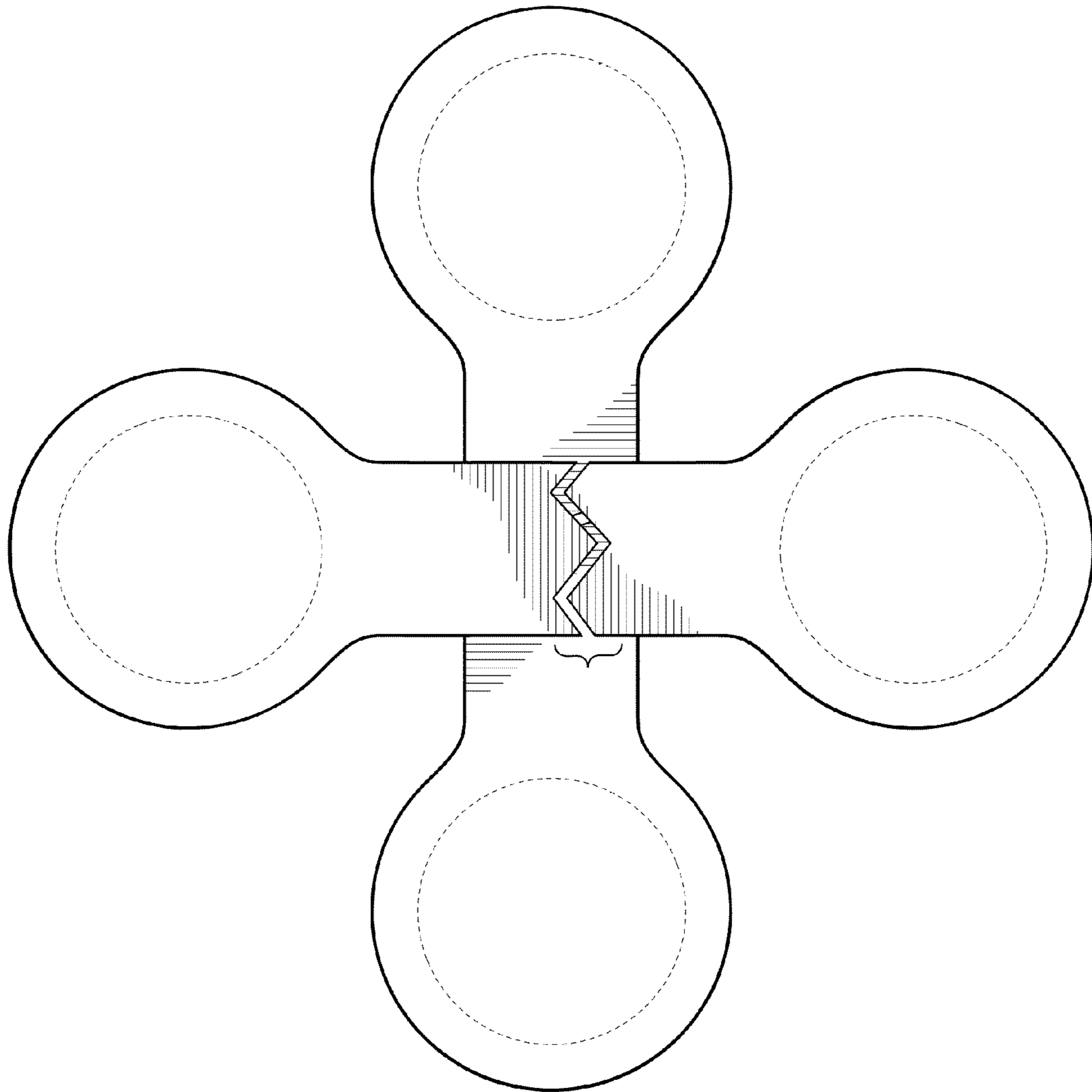


FIG. 2

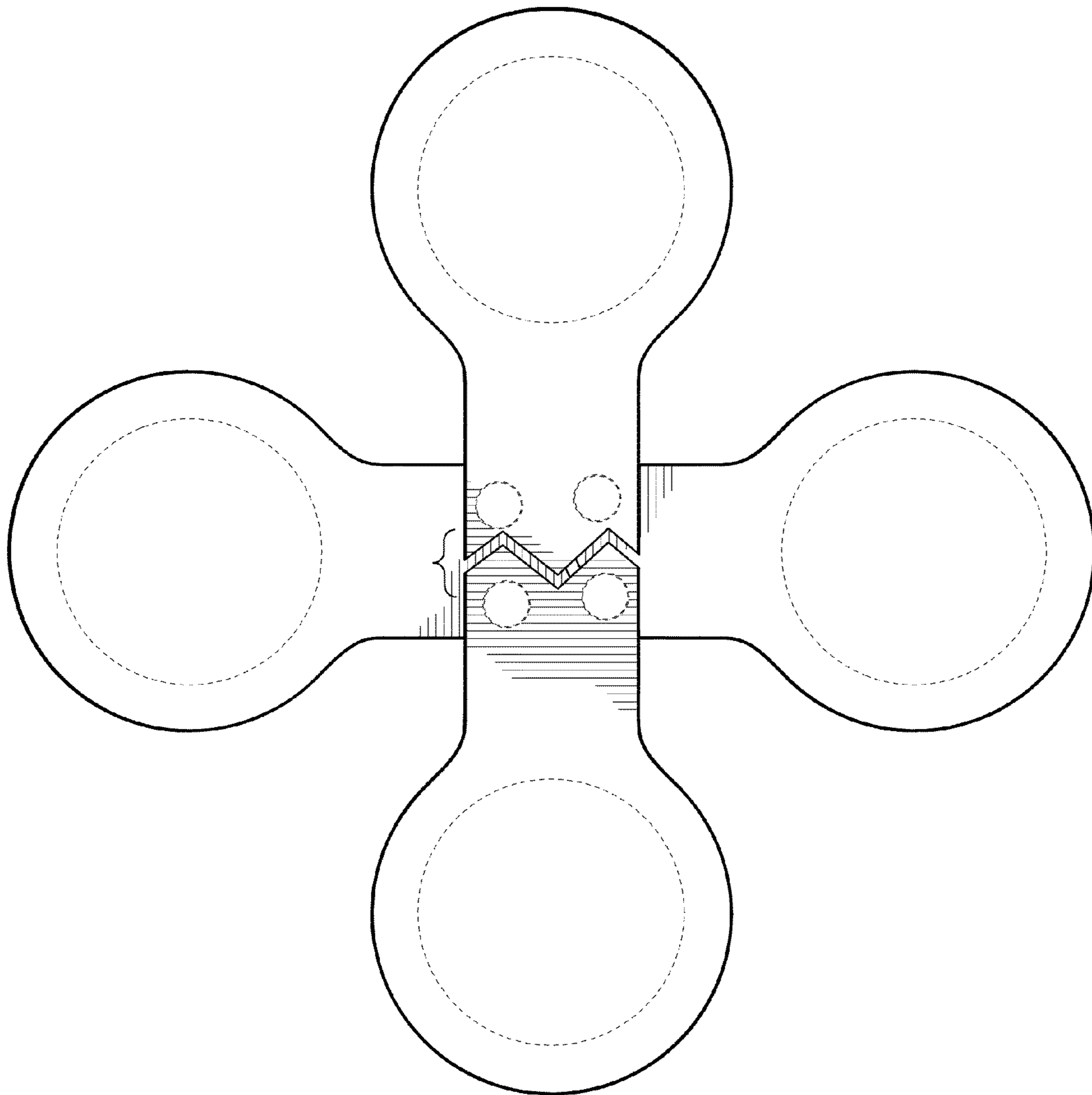


FIG. 3



FIG. 4

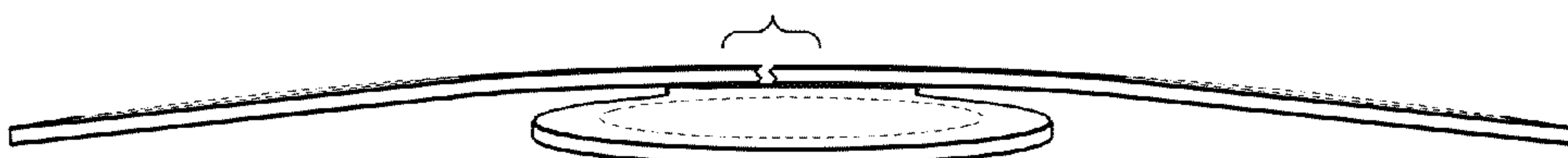


FIG. 5

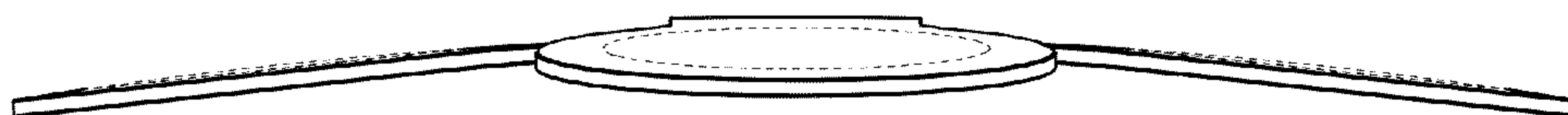


FIG. 6

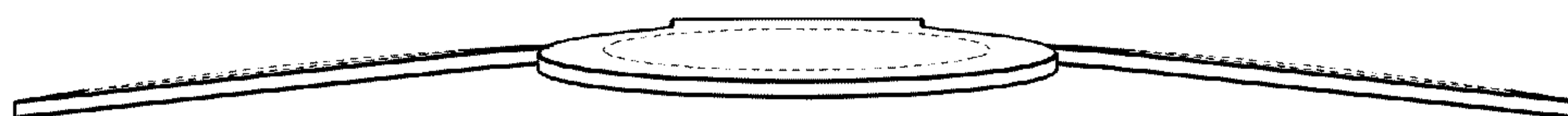


FIG. 7

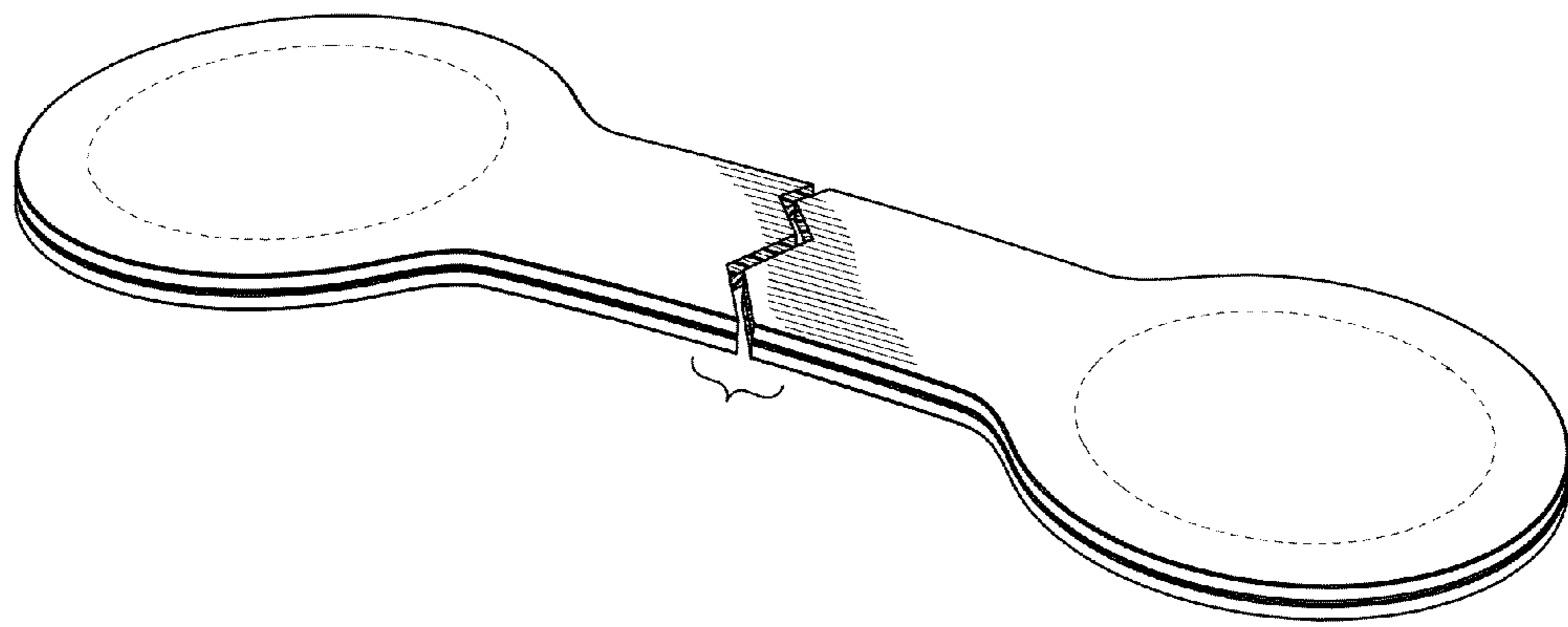


FIG. 8