



US00D734399S

(12) **United States Design Patent**  
**Baumann**

(10) **Patent No.:** **US D734,399 S**

(45) **Date of Patent:** **\*\* Jul. 14, 2015**

(54) **SUCTION CUP TOY**

(71) Applicant: **Octoblocs LLC**, Ferndale, WA (US)

(72) Inventor: **Scott Baumann**, Anacortes, WA (US)

(73) Assignee: **Octoblocs LLC**, Ferndale, WA (US)

(\*\*) Term: **14 Years**

(21) Appl. No.: **29/487,434**

(22) Filed: **Apr. 8, 2014**

(51) **LOC (10) Cl.** ..... **21-01**

(52) **U.S. Cl.**  
USPC ..... **D21/398**

(58) **Field of Classification Search**

USPC ..... D21/304, 385, 386, 387, 388, 389, 398,  
D21/404, 407, 455, 461, 470, 471, 478-480,  
D21/483, 484, 493, 498, 503, 504, 561,  
D21/576-661, 707, 790, 794; D8/300, 305,  
D8/307, 312, 349, 354, 367, 373, 378, 379,  
D8/380, 382, 387, 388, 395, 397, 400, 402,  
D8/DIG. 1-DIG. 3; D6/524, 536, 540, 546,  
D6/550, 553; D7/387, 392.1, 393, 396,  
D7/396.1, 399, 401.1, 402; D9/435, 443,  
D9/452, 453; D19/71, 86, 95-97;  
D23/250, 260, 261; 446/92, 118, 177,  
446/486; 273/336, 348.2, 282.1, 288-291,  
273/157 R, DIG. 25; 248/683, 688, 206.2,  
248/206.3, 206.4, 205.5-205.8, 363  
CPC ... A63B 67/086; A63H 33/103; A63H 33/18;  
A63H 37/005; F16B 47/00

See application file for complete search history.

(56) **References Cited**

U.S. PATENT DOCUMENTS

D7,248 S *	3/1874	Fogelstrand	.....	D19/97
380,309 A *	4/1888	Berliner	.....	248/205.5
D42,459 S *	5/1912	Parr	.....	D6/546
2,052,797 A *	9/1936	Read	.....	273/288
3,338,293 A *	8/1967	Hohmann	.....	160/370.21
D231,548 S *	4/1974	Christiansen	.....	D21/658
D332,390 S *	1/1993	Adams	.....	D8/373
D378,054 S *	2/1997	Engberg	.....	D8/402
D403,390 S *	12/1998	Lenz	.....	D21/794
D407,303 S *	3/1999	Engberg	.....	D8/402
D506,380 S *	6/2005	Chu	.....	D8/349
D589,327 S *	3/2009	Carnevali	.....	D8/354
D629,281 S *	12/2010	Belokin	.....	D8/349
D708,677 S *	7/2014	Baumann et al.	.....	D21/398
2002/0175250 A1 *	11/2002	Lian	.....	248/205.5
2004/0211867 A1 *	10/2004	Doyle	.....	248/205.5
2008/0083859 A1 *	4/2008	Belokin	.....	248/205.5

\* cited by examiner

*Primary Examiner* — Catherine Tuttle

(74) *Attorney, Agent, or Firm* — Michael R. Schacht;  
Schacht Law Office, Inc.

(57) **CLAIM**

The ornamental design for a suction cup toy, as shown and described.

**DESCRIPTION**

FIG. 1 is a top perspective view of a suction cup toy showing my new design;  
FIG. 2 is a bottom perspective view thereof;  
FIG. 3 is a front view thereof;  
FIG. 4 is a right side view thereof;  
FIG. 5 is a left side view thereof;  
FIG. 6 is a back view thereof;  
FIG. 7 is a top view thereof; and,  
FIG. 8 is a bottom view thereof.

**1 Claim, 1 Drawing Sheet**

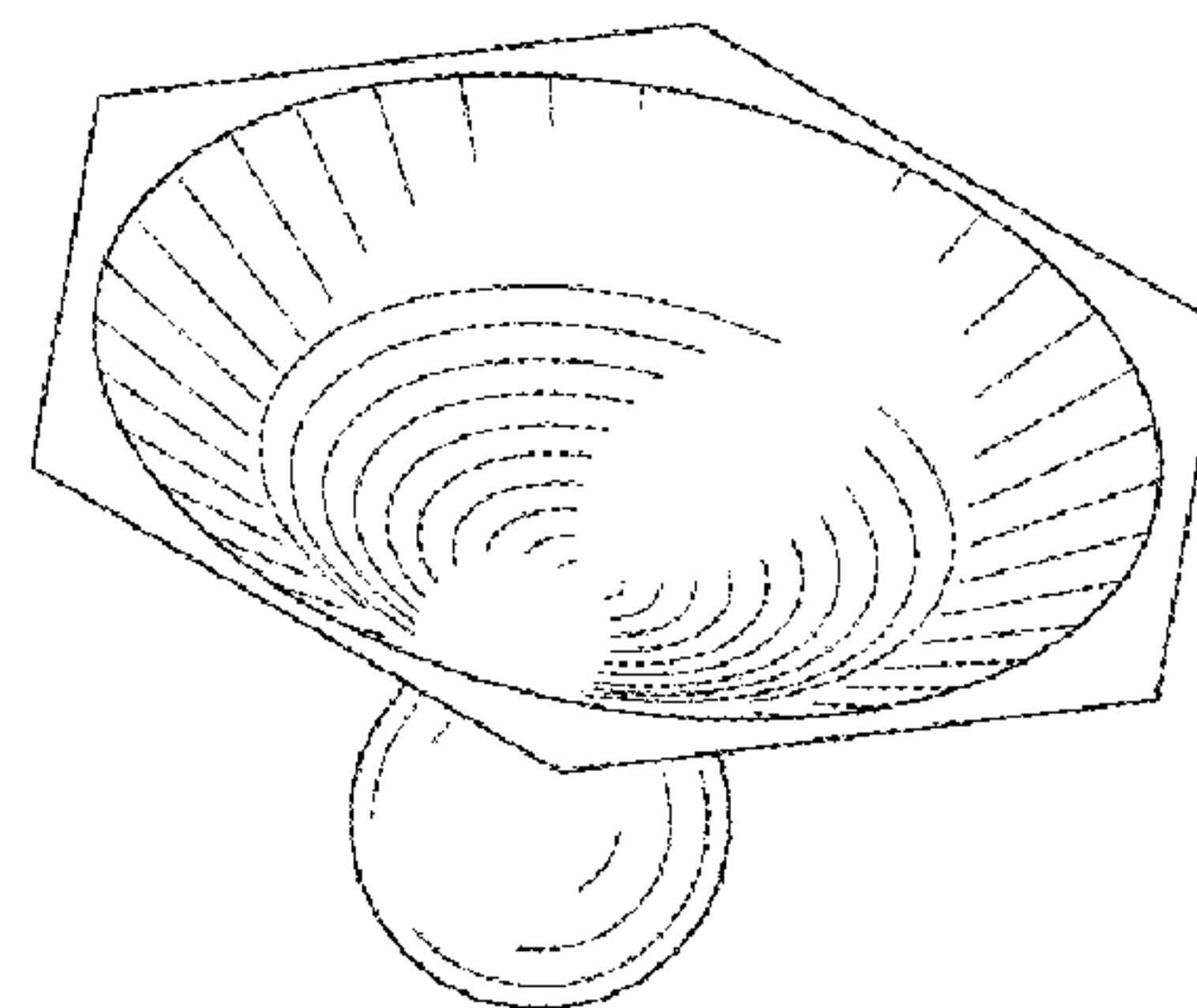
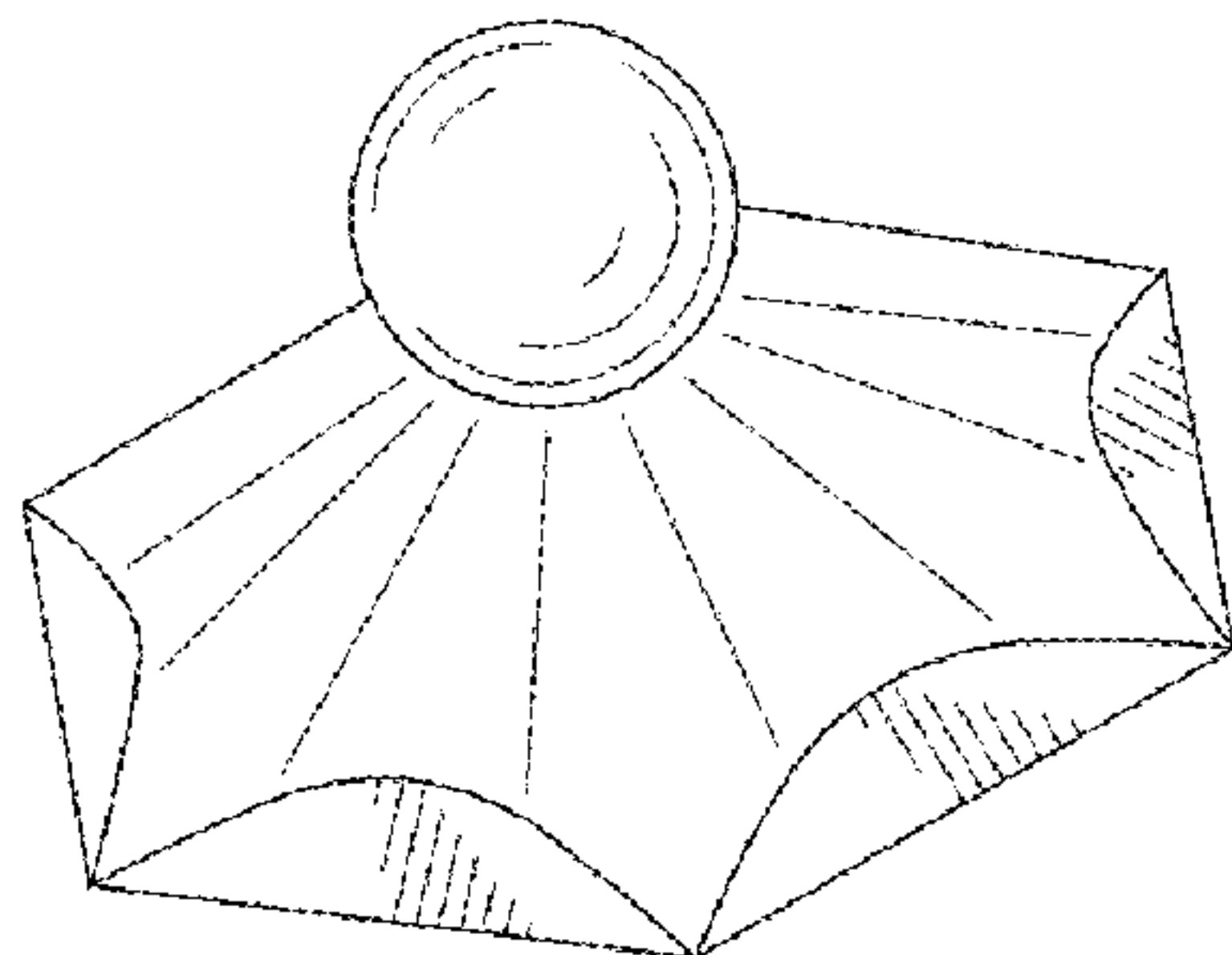


FIG. 1

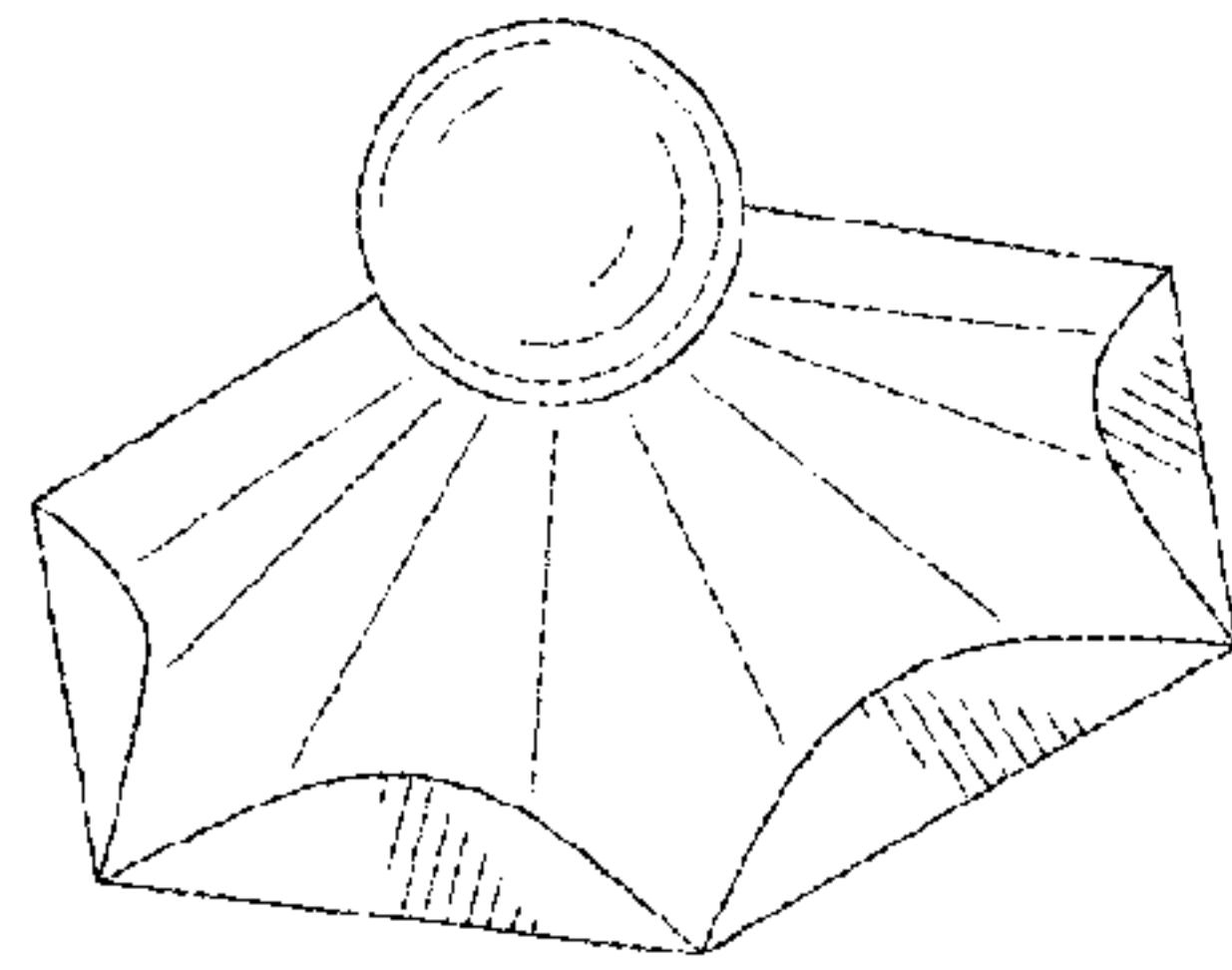


FIG. 2

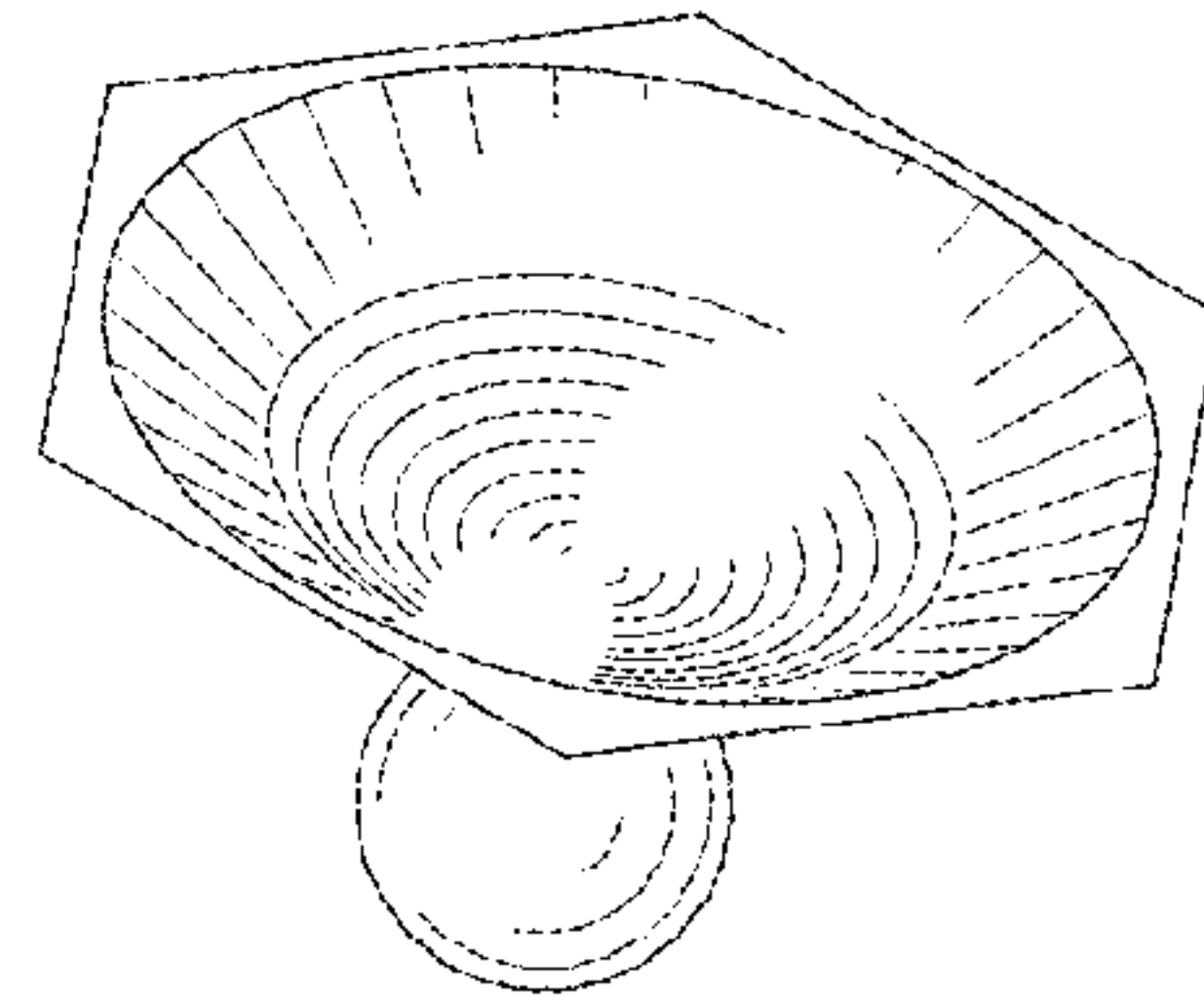


FIG. 3

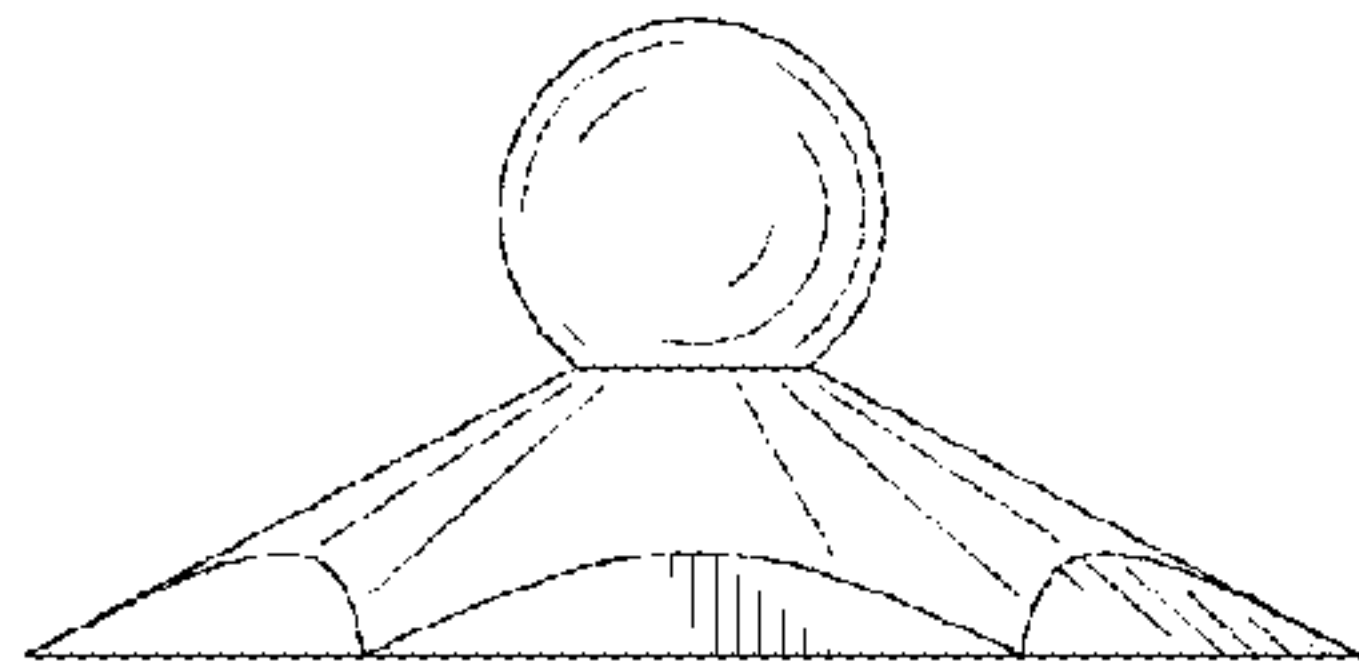


FIG. 4

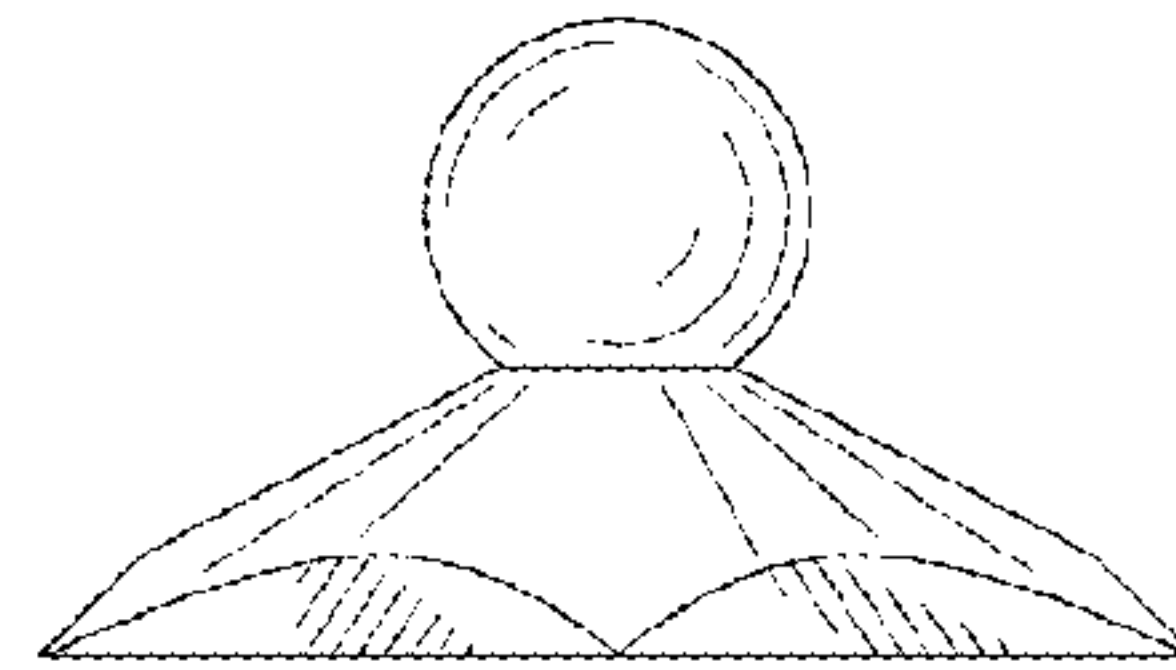


FIG. 5

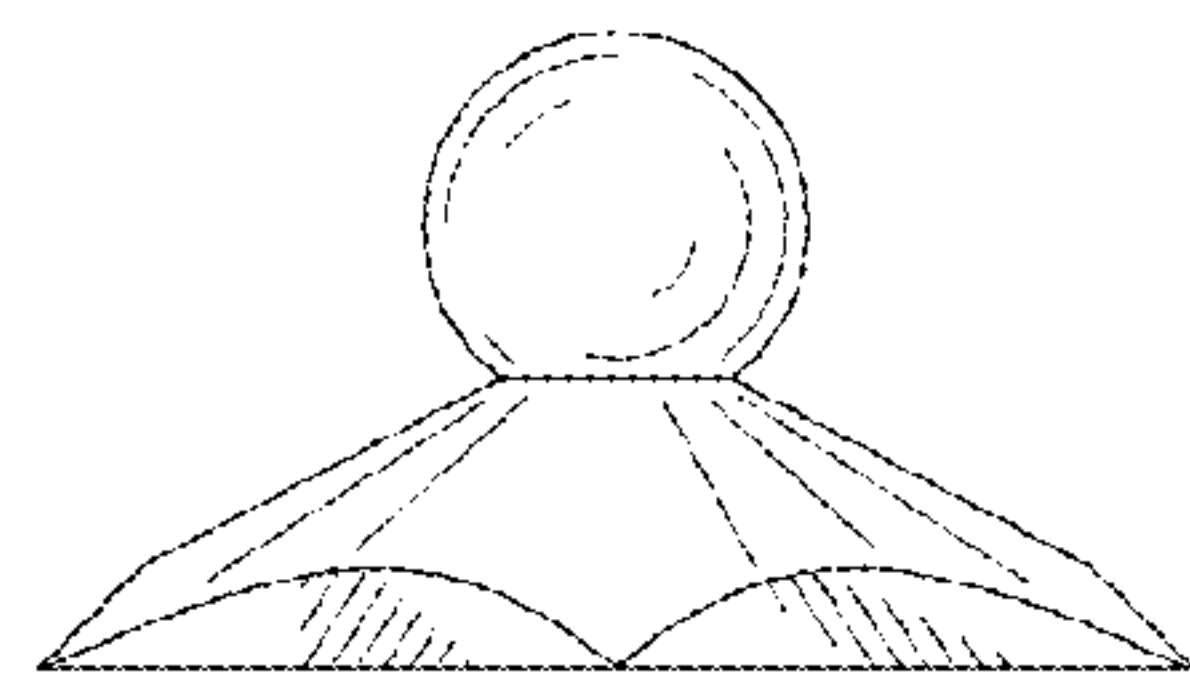


FIG. 6

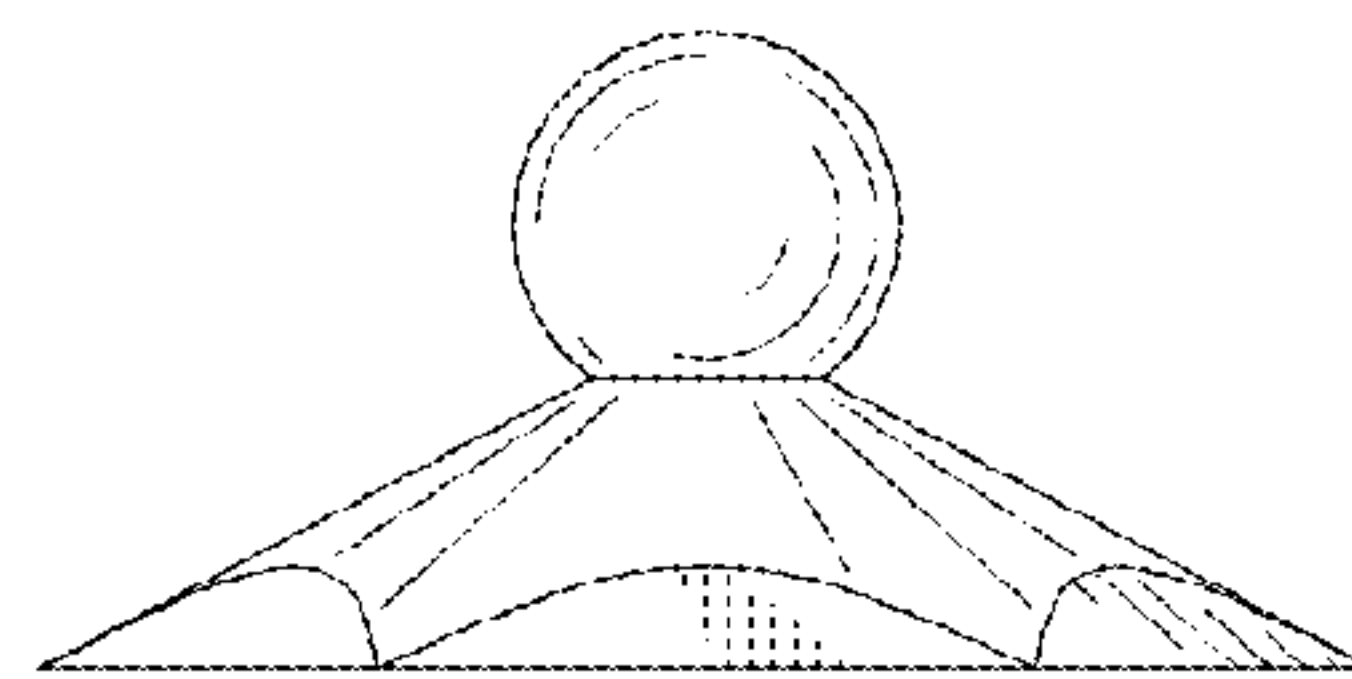


FIG. 7

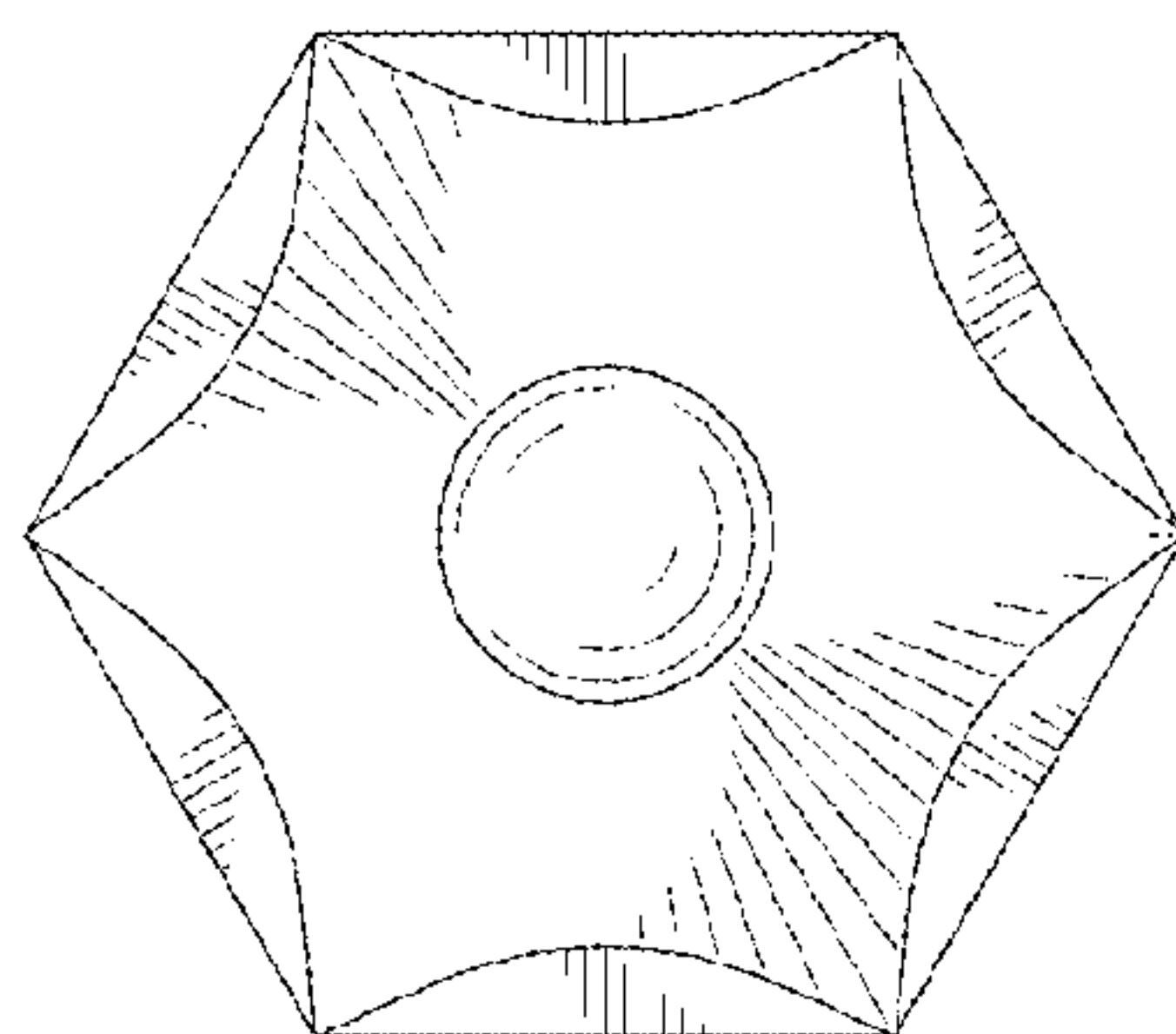


FIG. 8

