



US00D734397S

(12) **United States Design Patent**
Hulth et al.

(10) **Patent No.:** **US D734,397 S**
(45) **Date of Patent:** **** Jul. 14, 2015**

(54) **ELECTRONIC SHELF LABELING DEVICE**

(71) Applicant: **Pricer AB**, Sollentuna (SE)

(72) Inventors: **Nils Hulth**, Uppsala (SE); **Björn Nilsson**, Uppsala (SE); **Jörgen Jubro**, Bälinge (SE)

(73) Assignee: **PRICER AB**, Sollentuna (SE)

(**) Term: **14 Years**

(21) Appl. No.: **29/441,081**

(22) Filed: **Dec. 31, 2012**

(30) **Foreign Application Priority Data**

Jul. 6, 2012 (EM) 002069708-0002

(51) **LOC (10) Cl.** **20-02**

(52) **U.S. Cl.**
USPC **D20/42**

(58) **Field of Classification Search**
USPC D20/10, 18, 19, 22–28, 41–43, 99;
40/124.05, 299.01, 300–302, 325, 446,
40/539, 541, 584, 591, 605, 611.9, 612,
40/615, 617, 647, 651, 654, 655, 658;
D10/106.9, 106.92, 109.1, 113.4;
D18/4.4; D30/155; D34/27; 362/253,
362/812
CPC G09F 3/16; G09F 3/20; G09F 3/204;
G09F 3/208; G02B 6/0008; F21V 33/00
See application file for complete search history.

(56) **References Cited**

U.S. PATENT DOCUMENTS

4,939,861 A * 7/1990 Soubliere 40/651
5,461,809 A * 10/1995 Fowler et al. 40/655

5,473,832 A * 12/1995 Briechle et al. 40/124.05
6,622,410 B2 * 9/2003 Wilkes et al. 40/654
D487,483 S * 3/2004 Chen D20/19
D528,146 S * 9/2006 Fitch D18/4.4
D552,322 S * 10/2007 Perrier et al. D34/27
D574,438 S * 8/2008 Mori D20/22
D607,059 S * 12/2009 Chida D20/43
D660,360 S * 5/2012 Richter D20/10
8,443,854 B2 * 5/2013 Long 150/147
2006/0076094 A1 * 4/2006 Kaminski 150/147
2009/0290350 A1 * 11/2009 Zhao et al. 362/253
2011/0239509 A1 * 10/2011 Horikiri 40/661.08

FOREIGN PATENT DOCUMENTS

DK MA 1992 01182 12/1993
FR 927219 3/1993

* cited by examiner

Primary Examiner — Mary Ann Calabrese

(74) *Attorney, Agent, or Firm* — Buchanan Ingersoll & Rooney PC

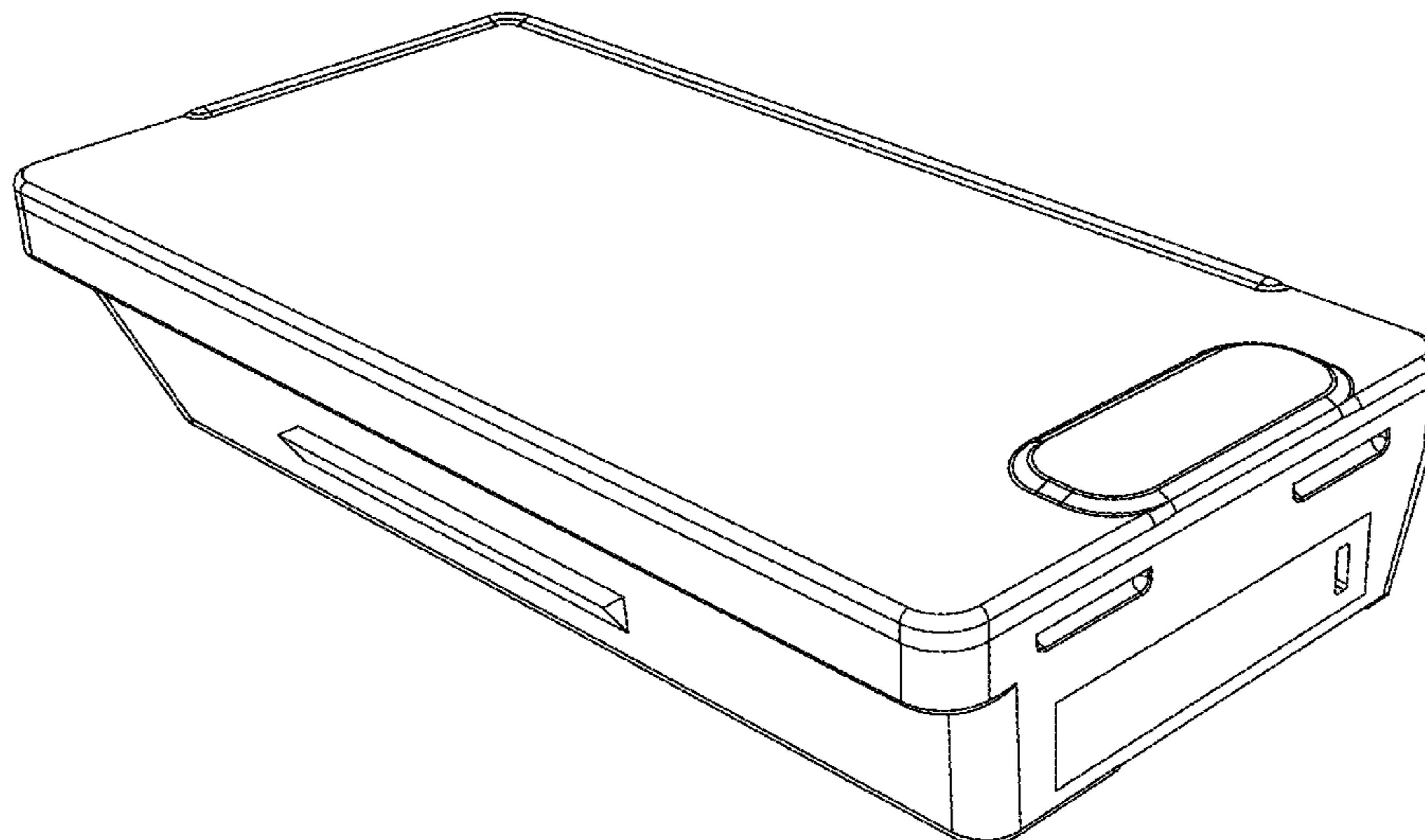
(57) **CLAIM**

The ornamental design for an electronic shelf labeling device, as shown and described.

DESCRIPTION

FIG. 1 is a top, left perspective view of an electronic shelf labeling device showing our new design.
FIG. 2 is a left side elevational view thereof.
FIG. 3 is a right side elevational view thereof.
FIG. 4 is a front elevational view thereof.
FIG. 5 is a rear elevational view thereof.
FIG. 6 is a top plan view thereof; and,
FIG. 7 is a bottom plan view thereof.
The broken lines are for the purpose of illustrating the environment of the article only and form no part of the claimed design.

1 Claim, 7 Drawing Sheets



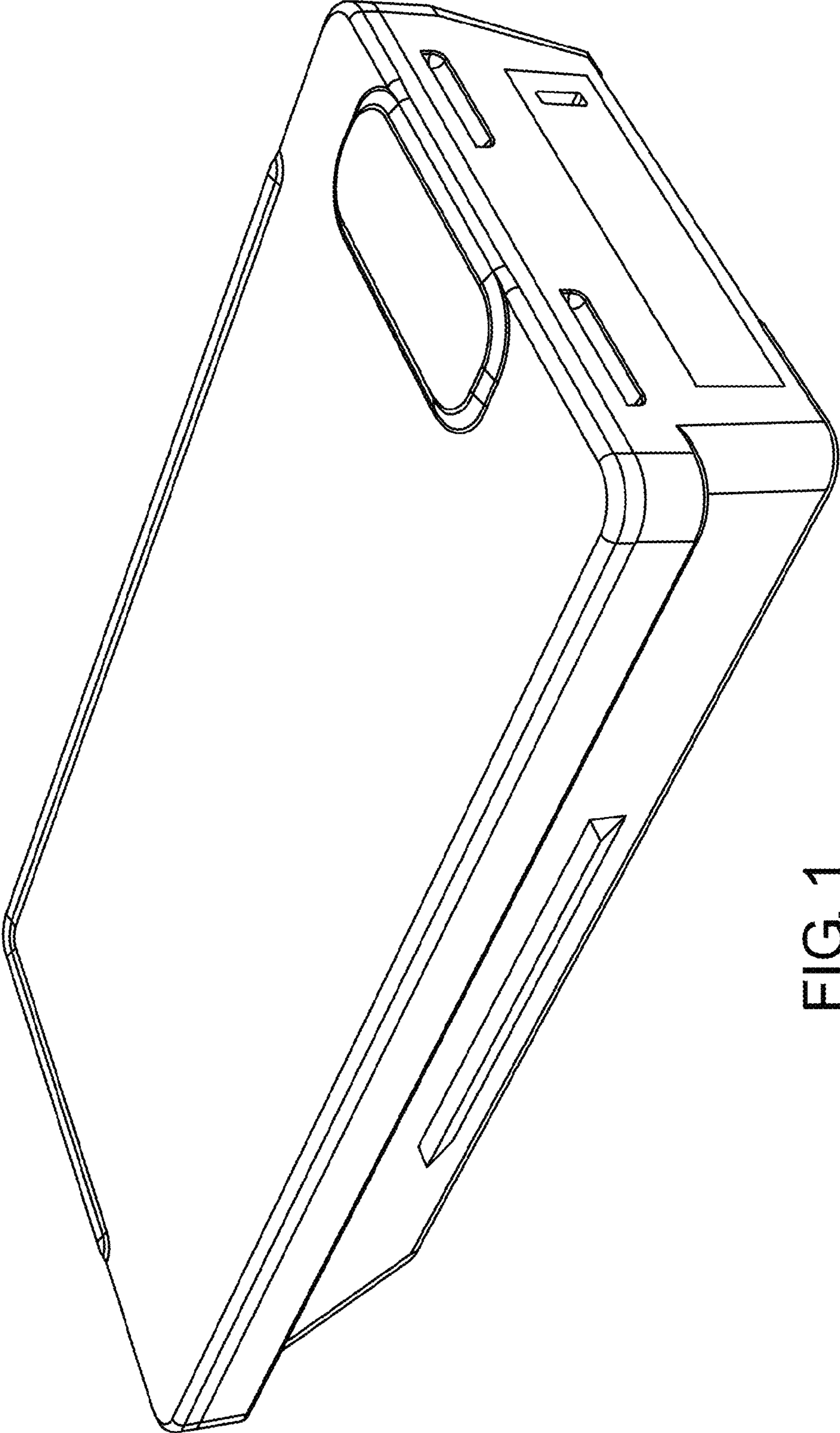


FIG. 1

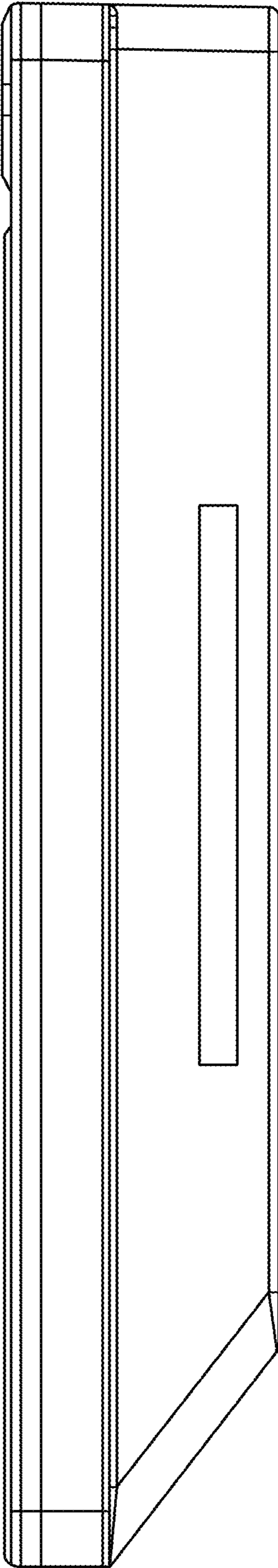


FIG. 2

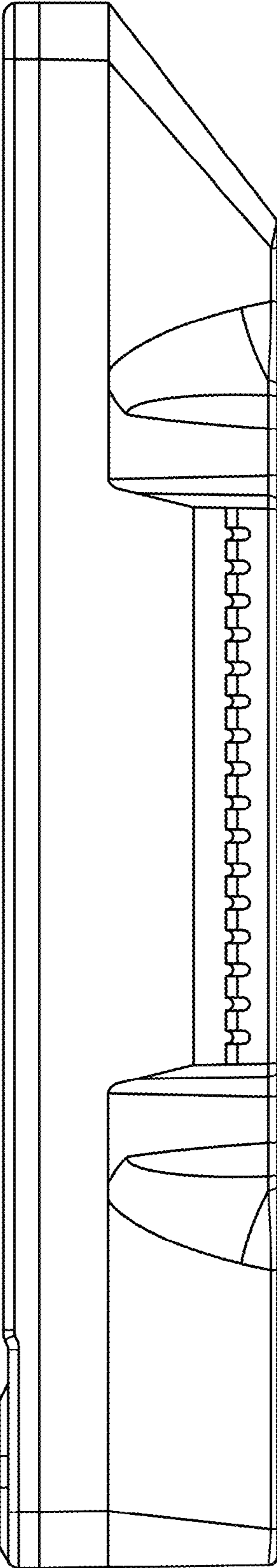


FIG. 3

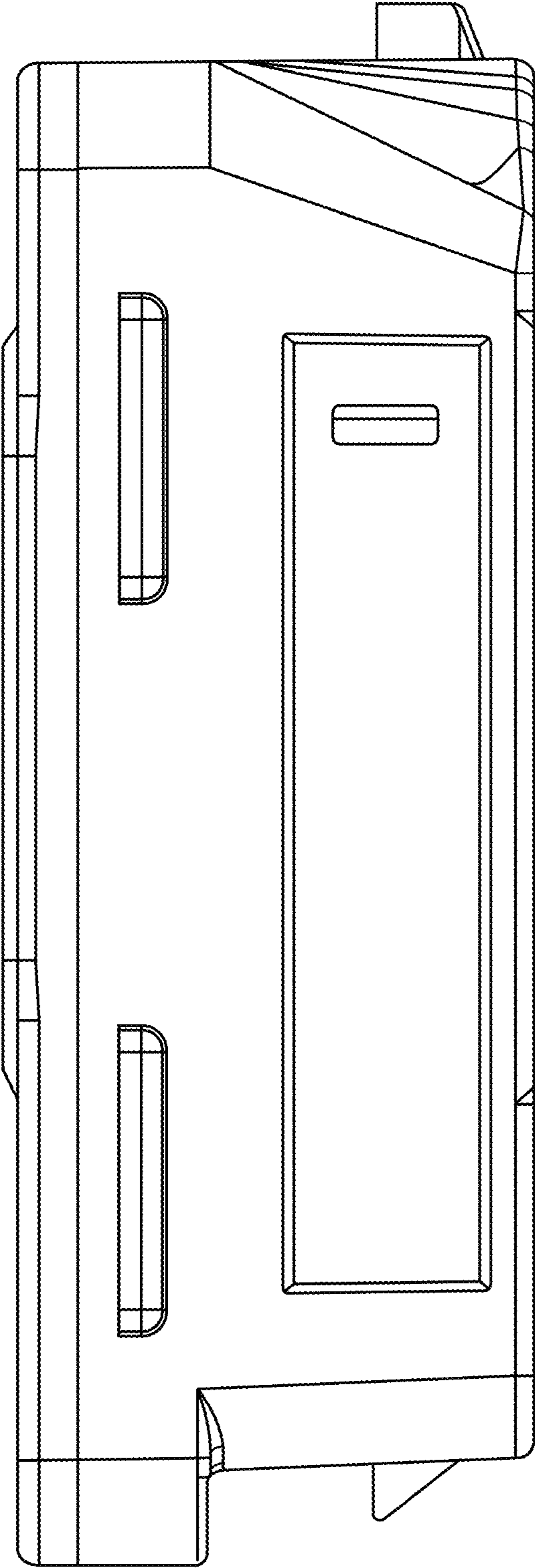


FIG. 4

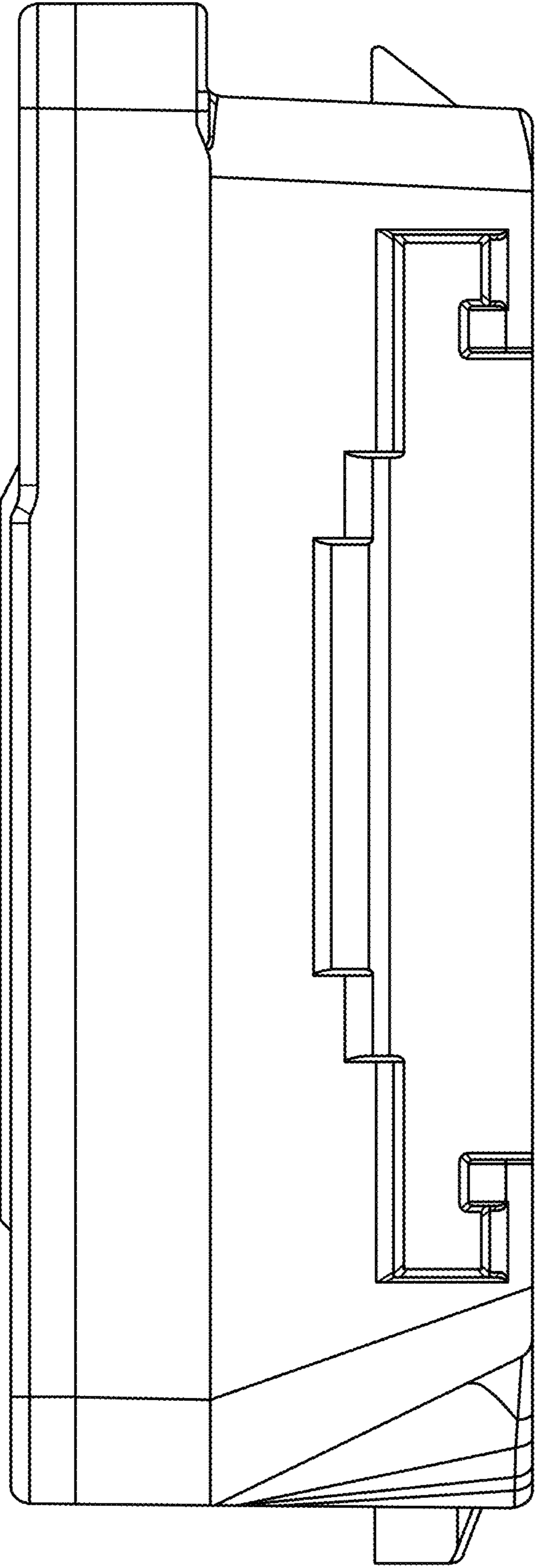


FIG. 5

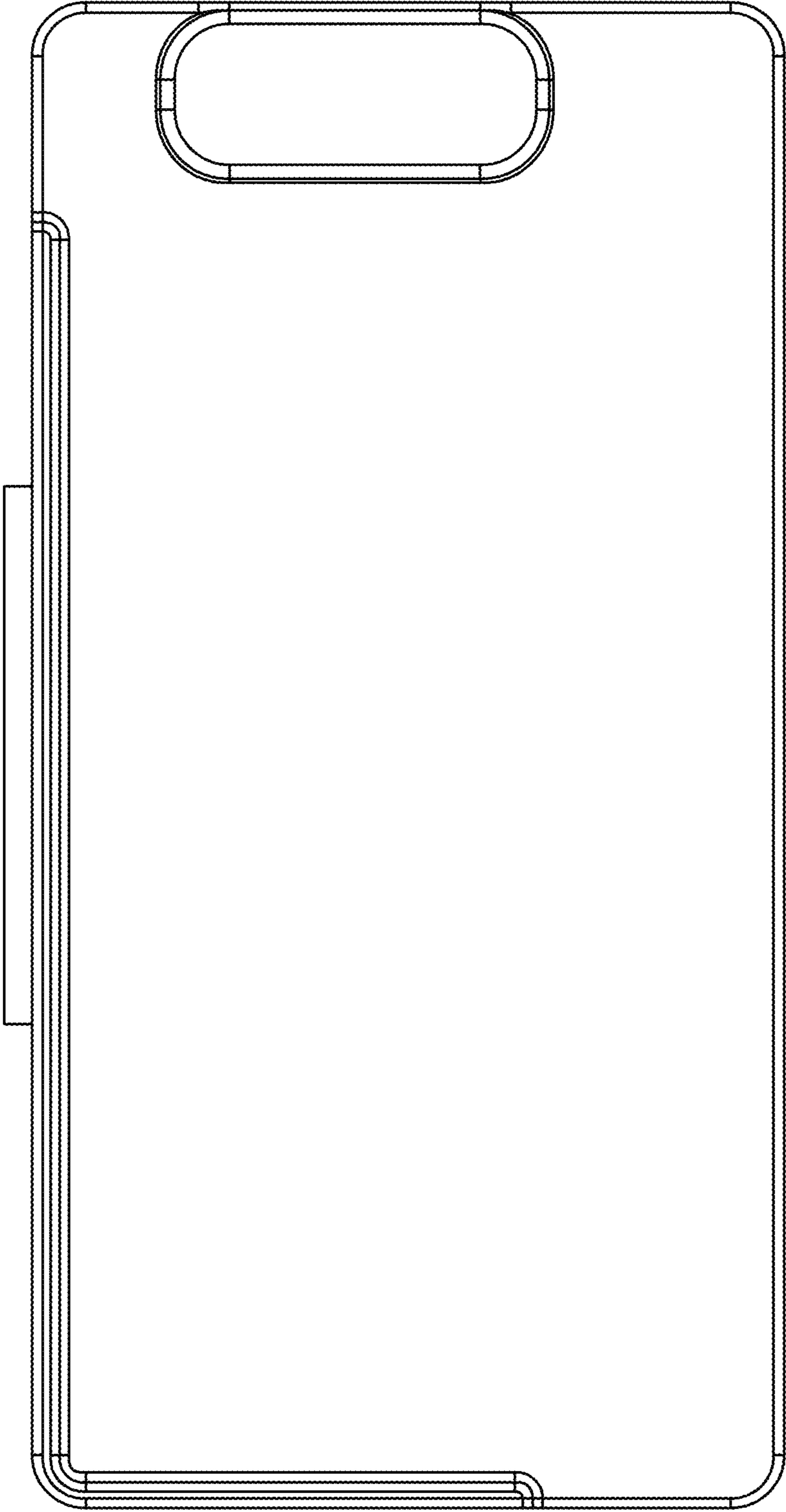


FIG. 6

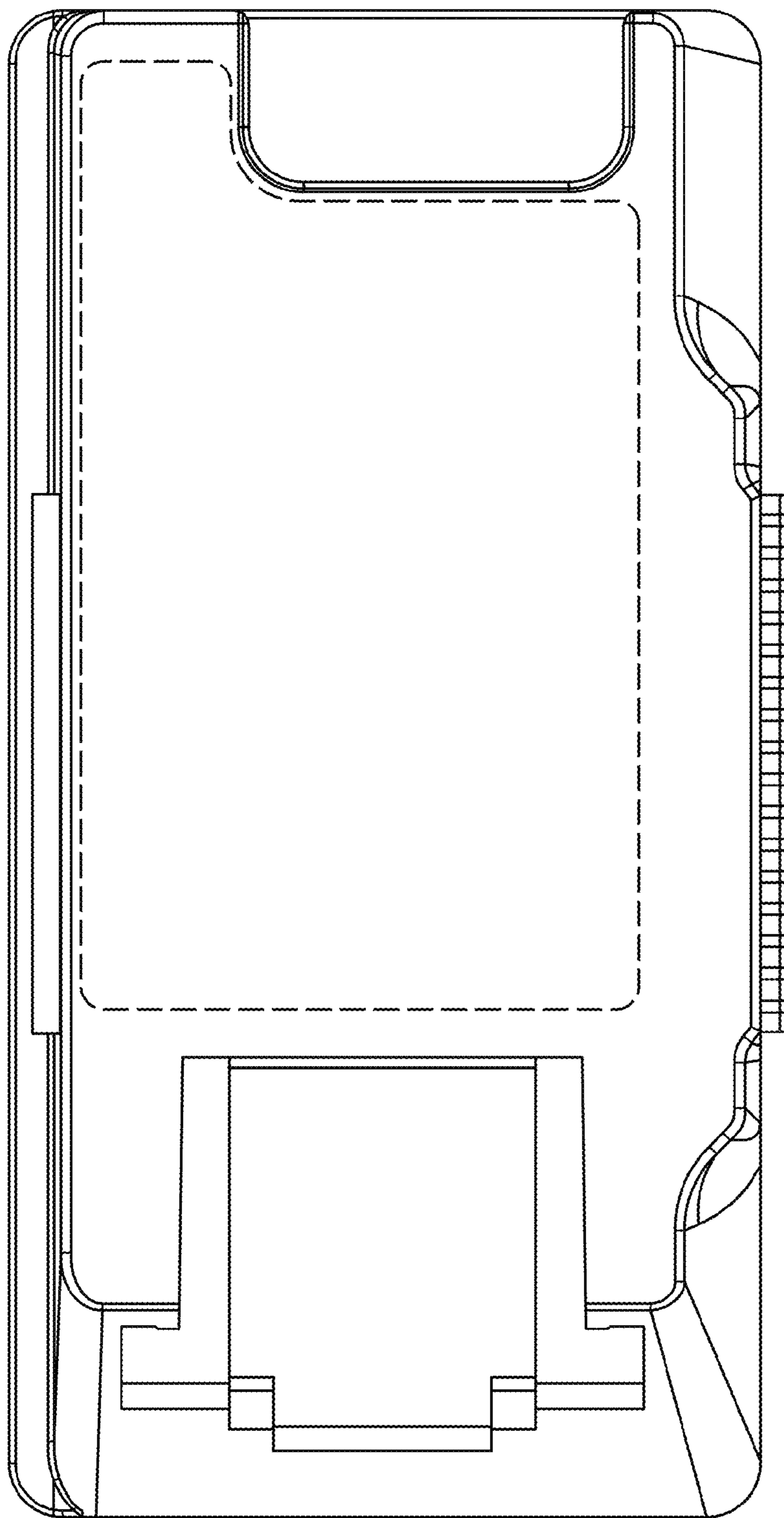


FIG. 7