



US00D734396S

(12) **United States Design Patent**
Seki

(10) **Patent No.:** **US D734,396 S**
(45) **Date of Patent:** **** Jul. 14, 2015**

(54) **DOCUMENT VALIDATOR WITH STACKER**

(71) Applicant: **JAPAN CASH MACHINE CO., LTD.**,
Osaka (JP)

(72) Inventor: **Toru Seki**, Tokyo (JP)

(73) Assignee: **Japan Cash Machine Co, Ltd.**, Tokyo
(JP)

(**) Term: **14 Years**

(21) Appl. No.: **29/498,225**

(22) Filed: **Aug. 1, 2014**

(51) **LOC (10) Cl.** **20-01**

(52) **U.S. Cl.**
USPC **D20/8**

(58) **Field of Classification Search**

USPC D20/1-9; D18/3.2, 3.3, 12.1; D99/28;
194/236, 239, 302, 350; 235/379, 381;
232/1 D, 7, 10, 12, 43.2, 64; 271/10.01,
271/147; 221/6, 9, 12, 13, 110, 123, 124,
221/140, 150 R, 150 A, 150 HC, 155, 156,
221/159, 190, 231, 251, 311
CPC G07F 7/04; G07F 9/02; G07F 11/00;
G07F 11/026; G07F 11/06; G07F 11/24;
G07F 11/62; G07F 11/00045; G07F 11/165;
G07D 11/00; G07D 11/006; G07D 11/0021;
G07D 2201/00; G07D 2211/00

See application file for complete search history.

(56) **References Cited**

U.S. PATENT DOCUMENTS

6,149,150	A *	11/2000	Onipchenko et al.	271/240
D476,688	S *	7/2003	Yu	D20/8
D506,509	S *	6/2005	Nunn	D20/9
D614,237	S *	4/2010	Hagiwara et al.	D20/8
D623,694	S *	9/2010	Tomiyoshi et al.	D20/8
D624,968	S *	10/2010	Tomiyoshi et al.	D20/8
7,837,095	B2 *	11/2010	Clauser et al.	235/379
D643,871	S *	8/2011	Gerlier et al.	D18/12.1
2005/0006198	A1 *	1/2005	Yoshioka et al.	194/302
2008/0099547	A1 *	5/2008	Androsyuk et al.	232/13

* cited by examiner

Primary Examiner — Mary Ann Calabrese

(74) *Attorney, Agent, or Firm* — Bachman & LaPointe, PC

(57) **CLAIM**

The ornamental design for a document validator with a stacker, as shown and described.

DESCRIPTION

FIG. 1 is a front elevation view of the document validator with the stacker according to the new design;
FIG. 2 is a rear elevation view with certain details shown in broken lines;
FIG. 3 is a right side elevation view;
FIG. 4 is a left side elevation view;
FIG. 5 is a plan view;
FIG. 6 is a bottom view with certain details shown in broken lines;
FIG. 7 is a front perspective view from the right upper side;
FIG. 8 is a front perspective view from the left upper side; and,
FIG. 9 is an enlarged fragmentary perspective view of a front bezel shown in FIG. 1. The broken line portions of FIGS. 2 and 6 form no part of the claimed design.

1 Claim, 9 Drawing Sheets

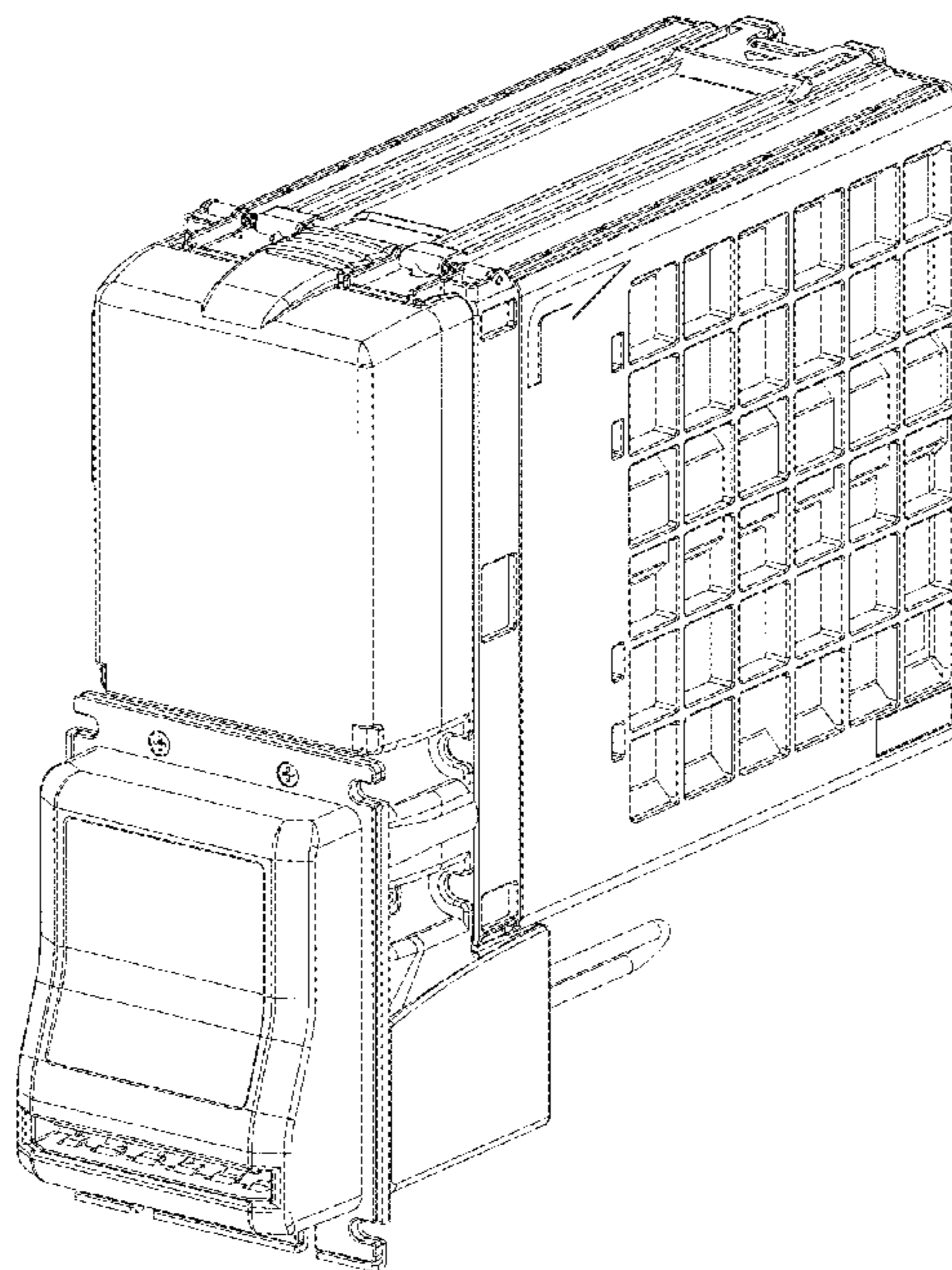


FIG. 1

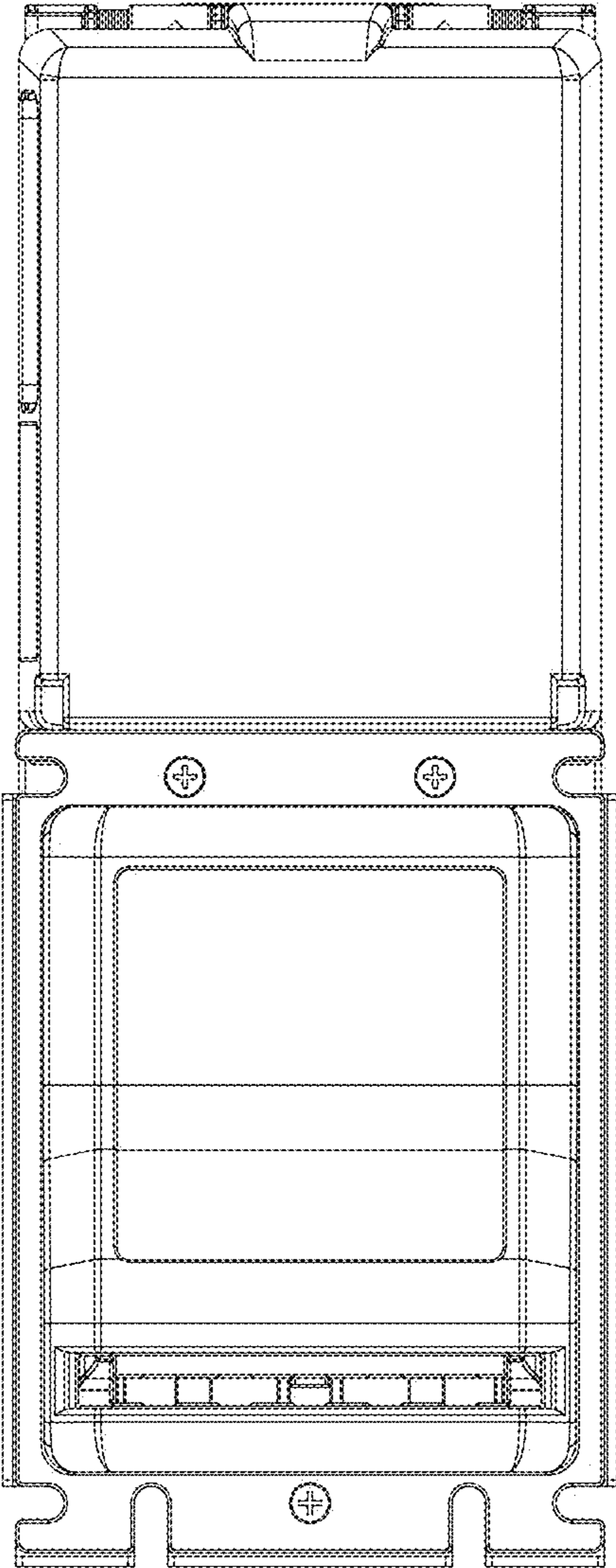


FIG. 2

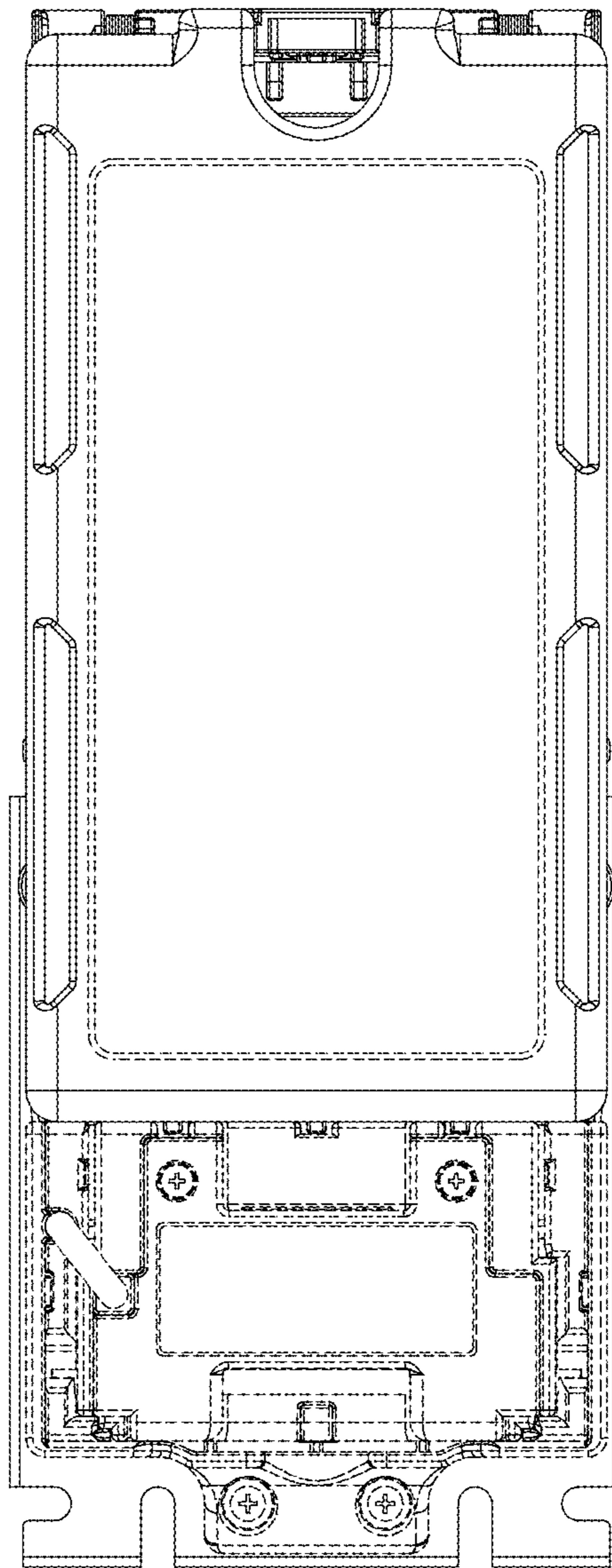


FIG. 3

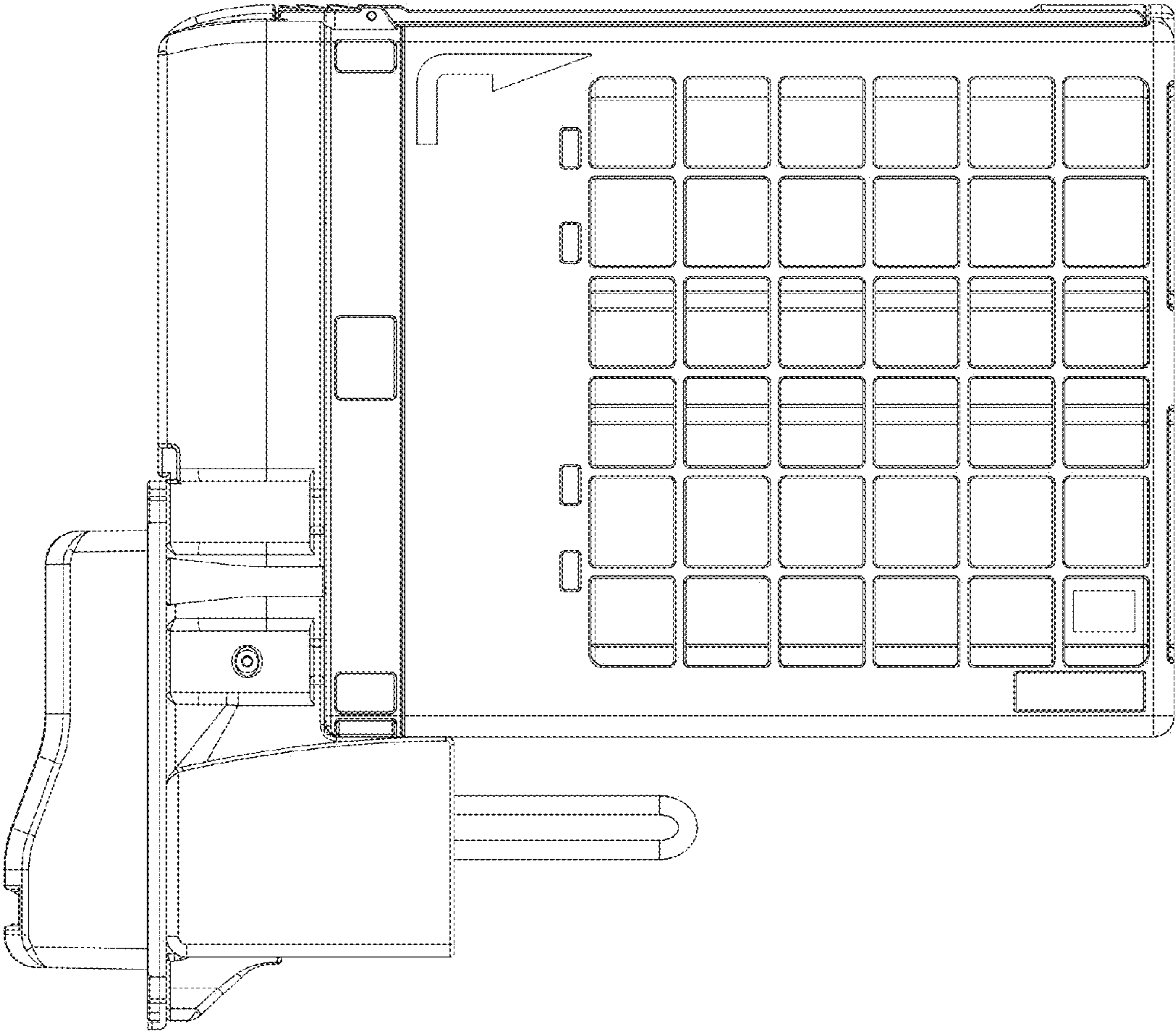


FIG. 4

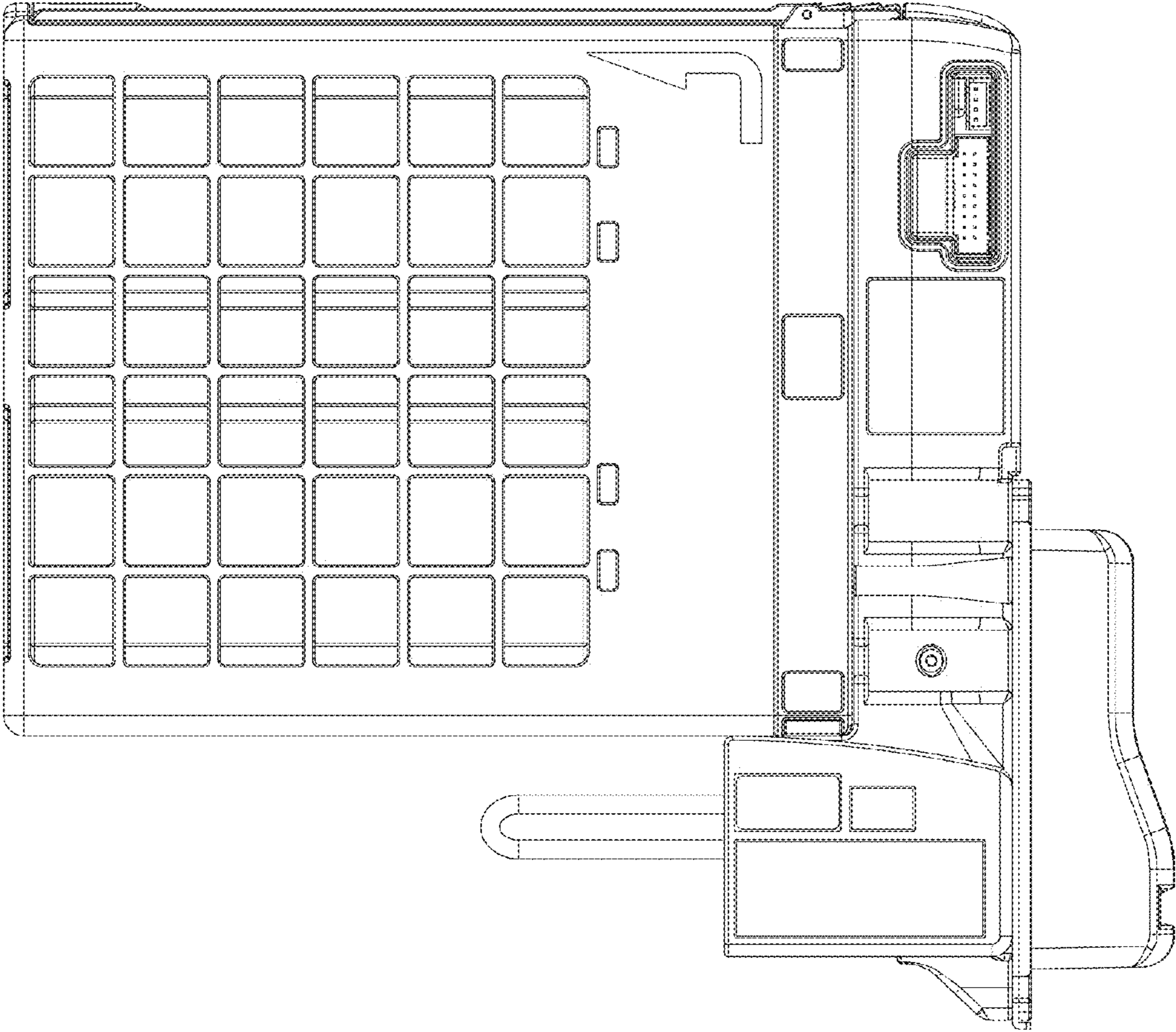


FIG. 5

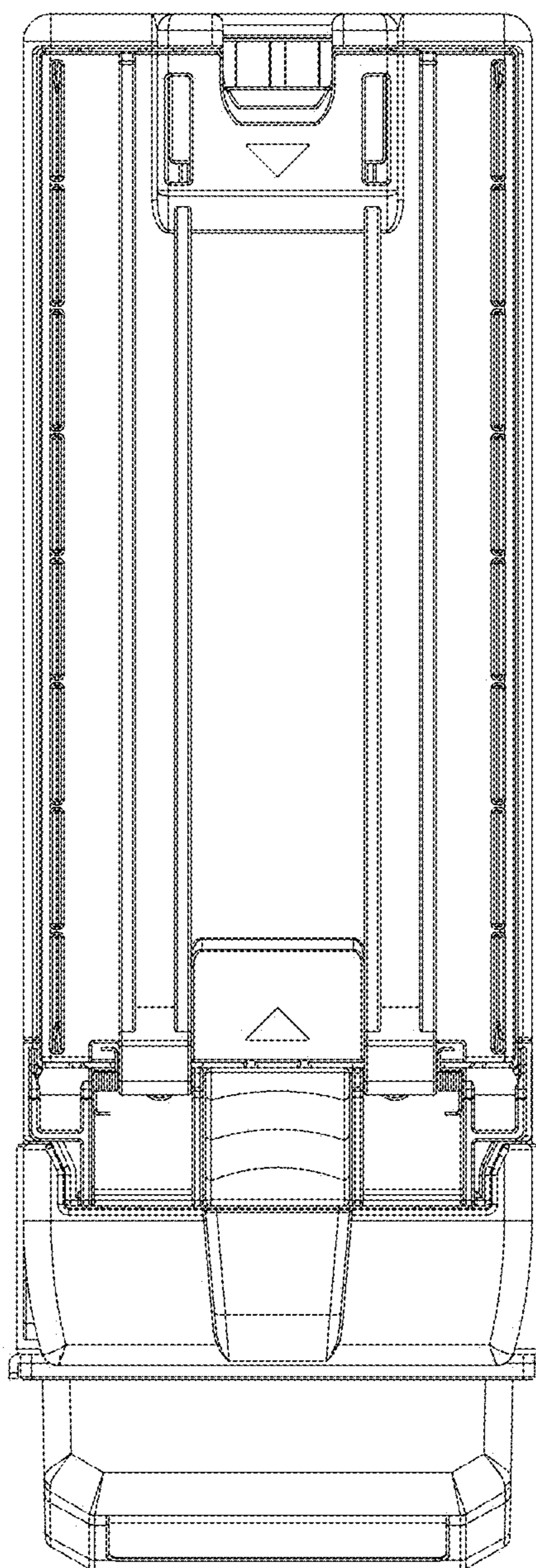


FIG. 6

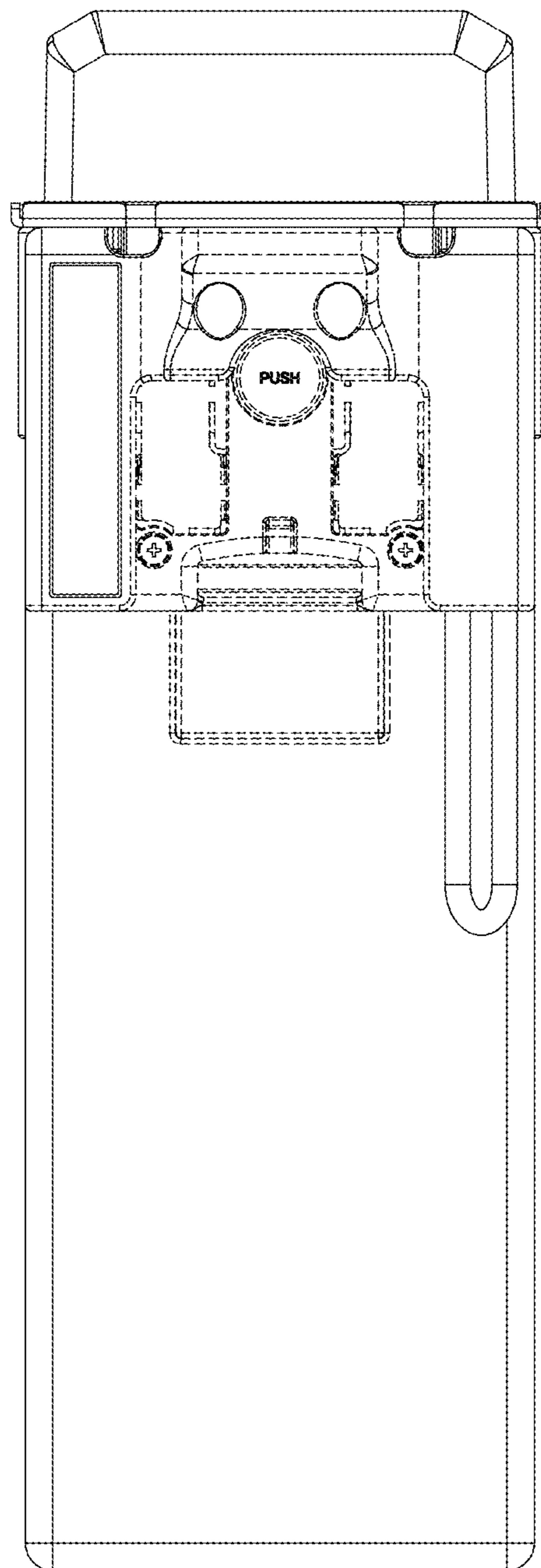


FIG. 7

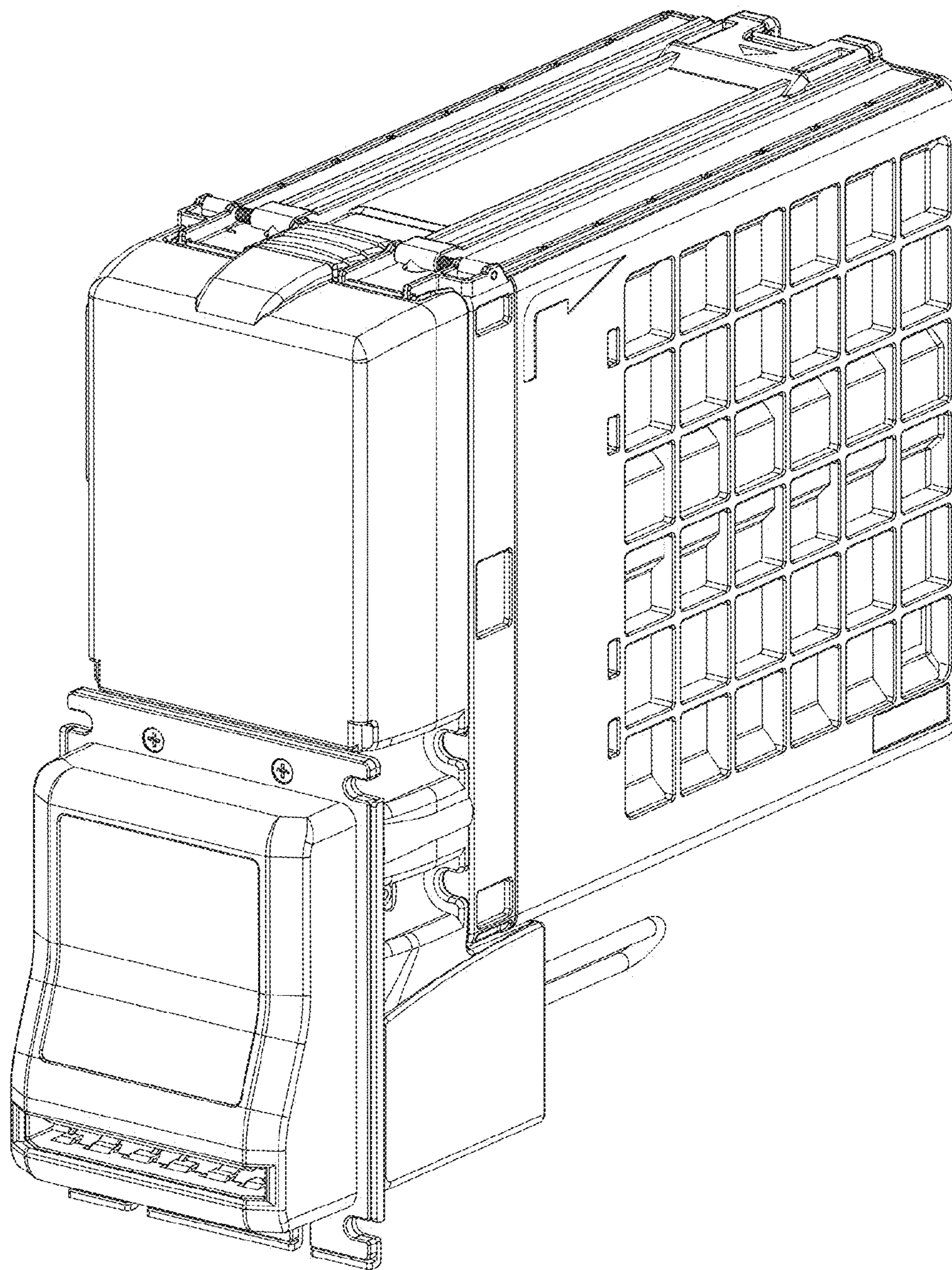


FIG. 8

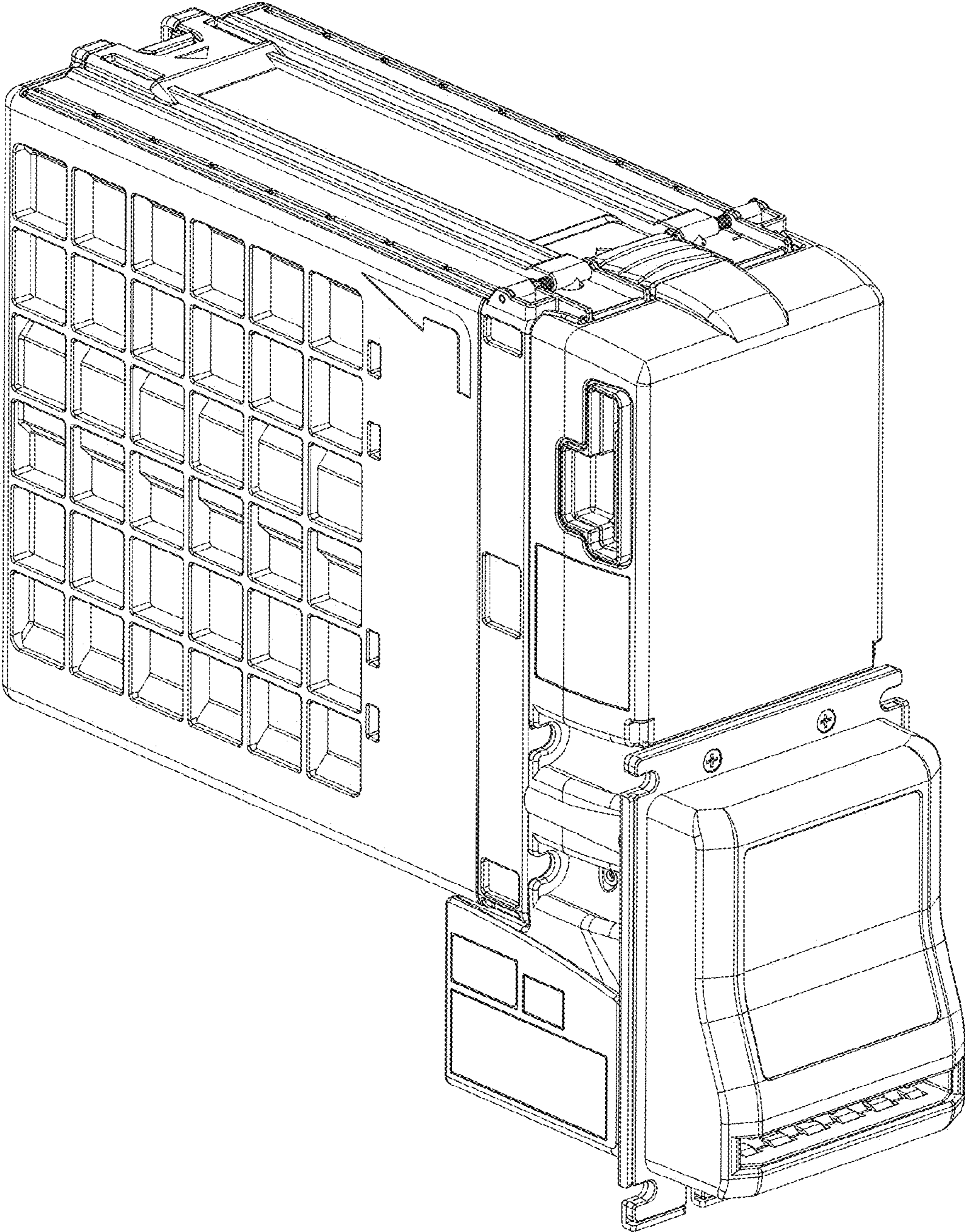


FIG. 9

