



US00D734392S

(12) **United States Design Patent**
Quehl

(10) **Patent No.:** **US D734,392 S**
(45) **Date of Patent:** **** Jul. 14, 2015**

(54) **BOOKMARK**

(56) **References Cited**

(71) Applicant: **LANYBOOK GMBH**, Worms (DE)

U.S. PATENT DOCUMENTS

(72) Inventor: **Alexander Quehl**, Worms (DE)

132,230 A	10/1872	Arms
151,036 A	5/1874	Liebenroth
152,876 A	7/1874	Smith
212,578 A	2/1879	Smith
308,942 A	12/1884	Yewell

(73) Assignee: **LANYBOOK GMBH**, Worms (DE)

(**) Term: **14 Years**

(Continued)

(21) Appl. No.: **29/445,412**

FOREIGN PATENT DOCUMENTS

(22) Filed: **Feb. 11, 2013**

DE	402009001339.8	7/2009
EM	001519315/01-0017	11/2009

(Continued)

Related U.S. Application Data

(63) Continuation-in-part of application No. 29/382,798, filed on Jan. 7, 2011, now abandoned.

Primary Examiner — Sheryl Lane

Assistant Examiner — Ieisha Price

(74) *Attorney, Agent, or Firm* — Medley, Behrens & Lewis, LLC; Lorri W. Cooper

(30) **Foreign Application Priority Data**

Dec. 23, 2010 (EM) 001798000/001-006

(57) **CLAIM**

The ornamental design for a bookmark, as shown and described.

(51) **LOC (10) Cl.** **19-99**

DESCRIPTION

(52) **U.S. Cl.**

USPC **D19/34**

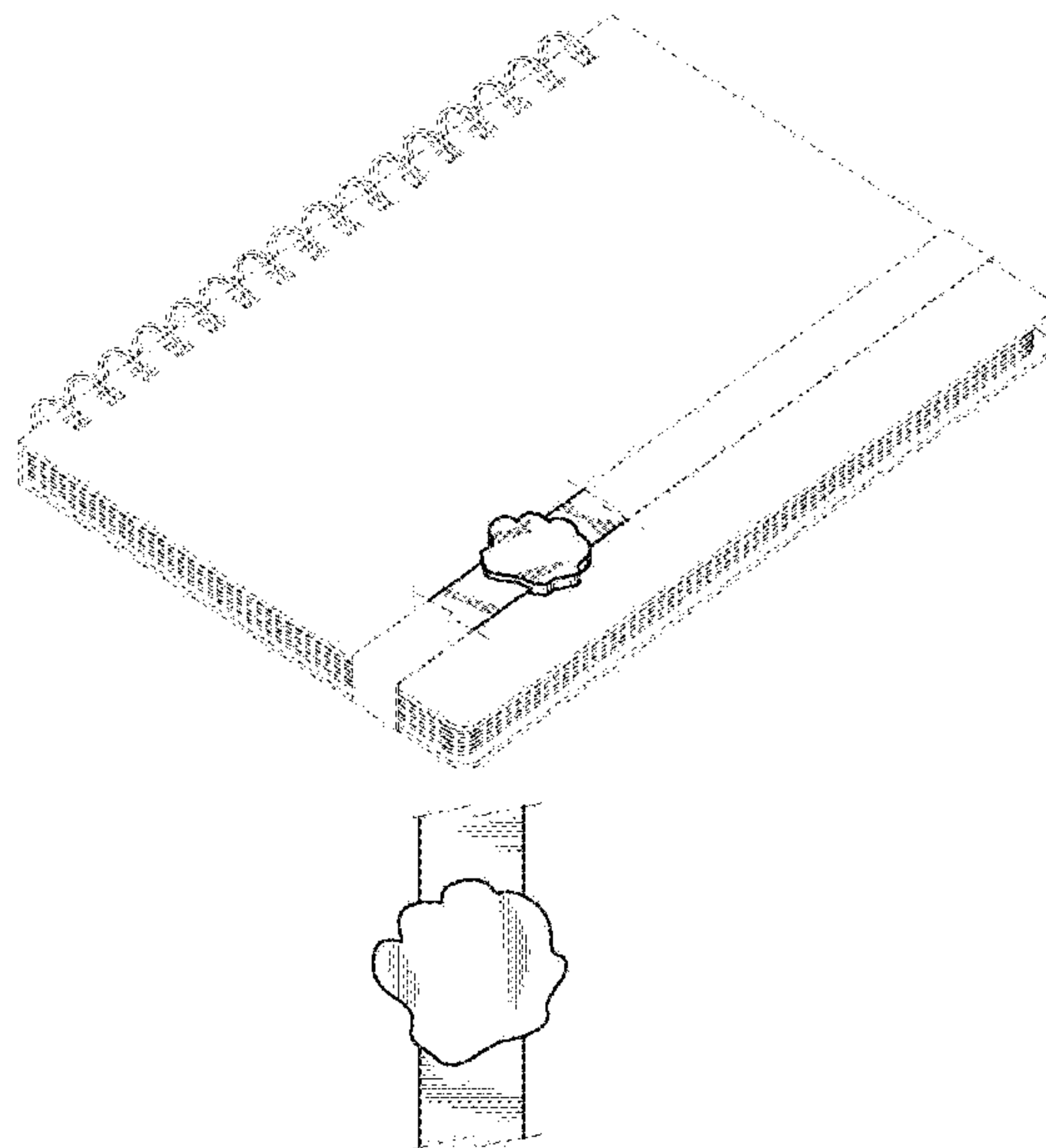
(58) **Field of Classification Search**

USPC D19/32, 34, 26, 28, 65, 99, 100;
D20/22, 23, 24, 27, 40, 42, 99;
281/15.1, 42, 51; D21/606, 658, 576,
D21/398, 385, 386, 483; D11/99, 100, 107,
D11/184, 200, 201; D8/14, 16, 349, 394,
D8/499; D3/247, 318, 327
CPC A45C 11/182; B42D 3/18; B42D 3/145;
B42D 9/00; B42D 9/001; B42D 9/002;
B42D 9/004; B42D 9/005; B42D 9/007;
B65D 63/1018; B42P 2241/04; Y10T 24/00

See application file for complete search history.

FIG. 1 is a perspective view of a bookmark showing my new design.
FIG. 2 is a front view of the bookmark shown in FIG. 1;
FIG. 3 is a back view of the bookmark shown in FIG. 1;
FIG. 4 is a right side view of the bookmark shown in FIG. 1;
FIG. 5 is a left side view of the bookmark shown in FIG. 1;
FIG. 6 is a top view of the bookmark shown in FIG. 1; and,
FIG. 7 is a bottom view of the bookmark shown in FIG. 1.
The broken line shown in FIGS. 1-7 illustrates the environment of the claimed design and forms no part thereof.
The dash-dot-dash lines shown in FIGS. 2-7 define the bounds of the claimed design and form no part thereof.

1 Claim, 1 Drawing Sheet



(56)

References Cited

U.S. PATENT DOCUMENTS

345,660 A 7/1886 Ashworth
 D24,233 S * 4/1895 Stone D19/34
 1,619,644 A 3/1927 Wetzel
 1,960,690 A 5/1934 Blair
 2,716,390 A * 8/1955 Goins 116/235
 4,041,892 A * 8/1977 Nichols 116/239
 4,162,800 A 7/1979 Gonot, Jr. et al.
 4,505,219 A 3/1985 Mangano
 5,054,816 A 10/1991 Rosengarten
 D346,399 S * 4/1994 Schad et al. D19/34
 D375,280 S * 11/1996 Murphy D11/184
 5,622,387 A * 4/1997 Ordway 281/42
 D393,667 S * 4/1998 Perry D21/386
 D395,617 S * 6/1998 Sterr et al. D11/184
 D410,410 S * 6/1999 Sterr et al. D11/184
 D424,108 S 5/2000 Mitcham
 6,155,602 A * 12/2000 Mylander et al. 281/42
 6,230,878 B1 5/2001 Lehr
 D449,648 S 10/2001 Andler
 6,308,988 B1 10/2001 Mylander et al.
 D475,410 S * 6/2003 Huang D19/65
 D477,987 S * 8/2003 Adams et al. D8/395

D513,418 S * 1/2006 Jackson D19/26
 D517,604 S 3/2006 Rowe
 D527,898 S 9/2006 Tavone
 7,125,049 B2 * 10/2006 Goldberg et al. 281/42
 D534,584 S * 1/2007 Goldberg et al. D19/34
 D569,427 S 5/2008 Lundvall
 D575,334 S * 8/2008 Verhouden D19/26
 D580,988 S 11/2008 Regala
 D587,158 S 2/2009 Trapani et al.
 D602,227 S * 10/2009 Zeilinger D1/199
 D604,764 S 11/2009 Velonis
 D618,586 S * 6/2010 Lanoie D11/184
 D673,219 S * 12/2012 Lau D19/65
 D687,686 S * 8/2013 Robinson D8/14
 D702,289 S * 4/2014 Pascale D19/99
 2012/0067942 A1 * 3/2012 Quehl 229/67.4
 2013/0099472 A1 * 4/2013 Quehl 281/29

FOREIGN PATENT DOCUMENTS

EM 001677485/01-0010 5/2010
 EM 001798000/01-0006 12/2010
 GB 282998 A * 1/1928 B42D 9/004
 GB 2451669 A * 2/2009 B42P 2241/04

* cited by examiner

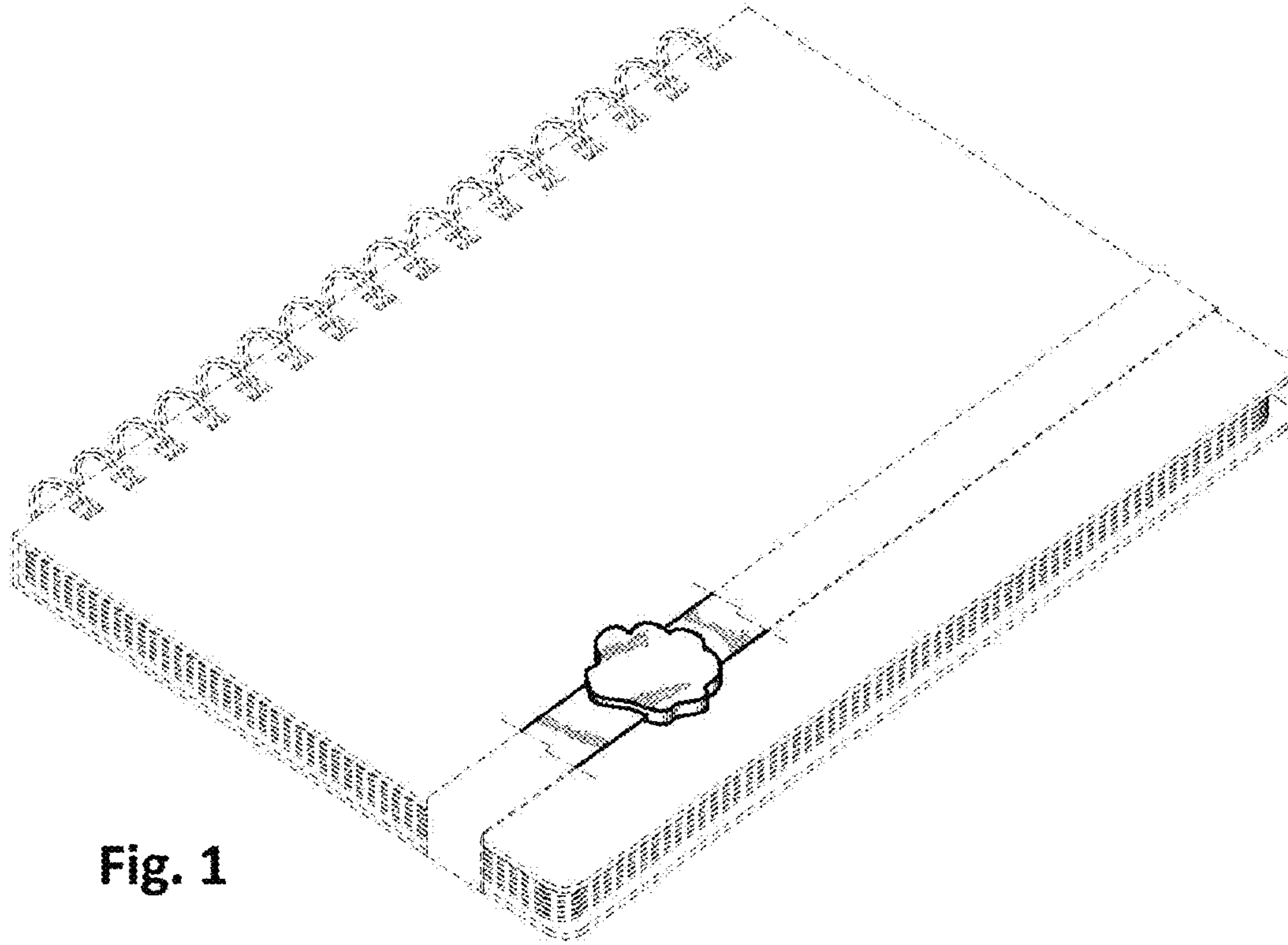


Fig. 1

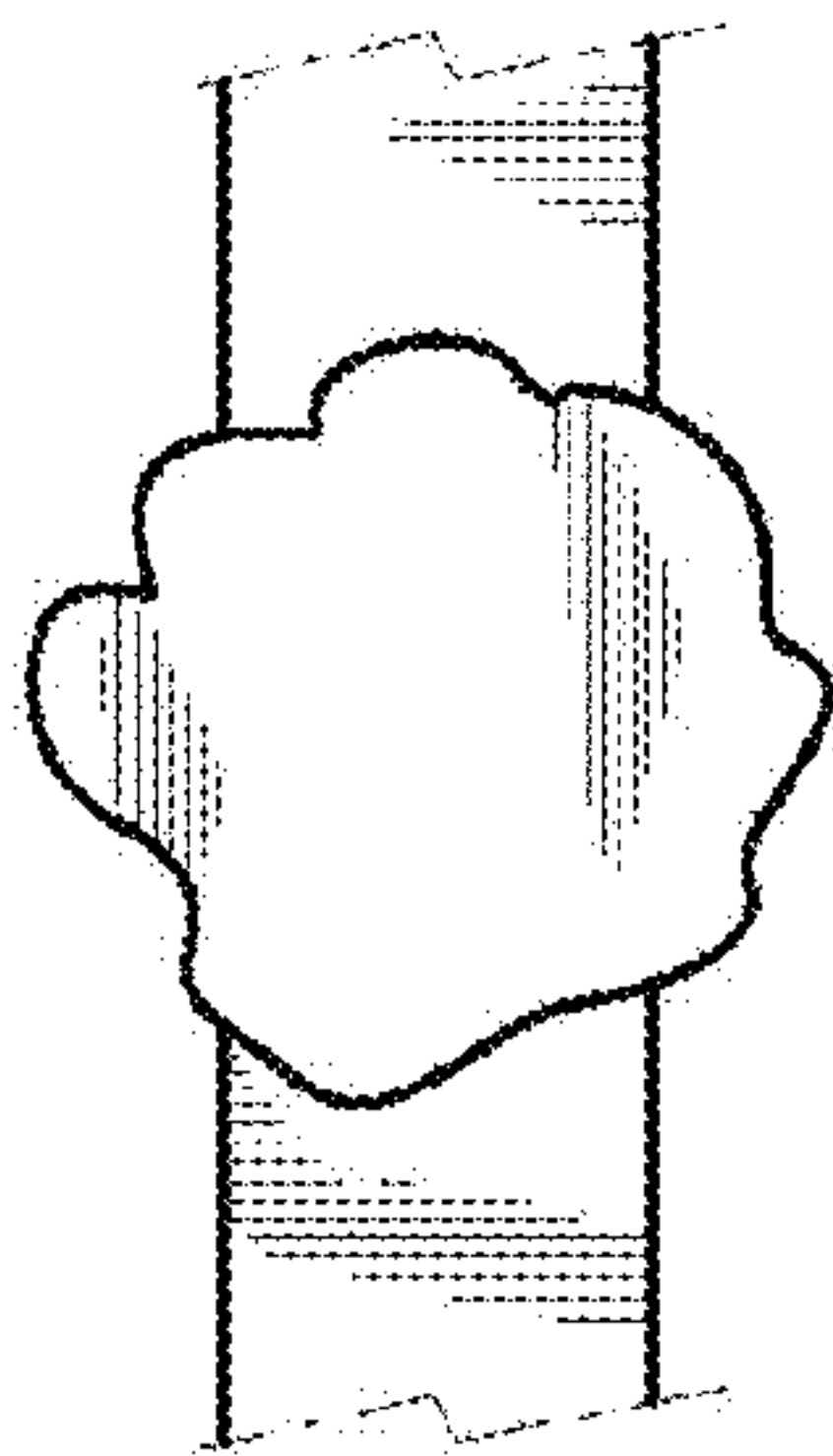


Fig. 2

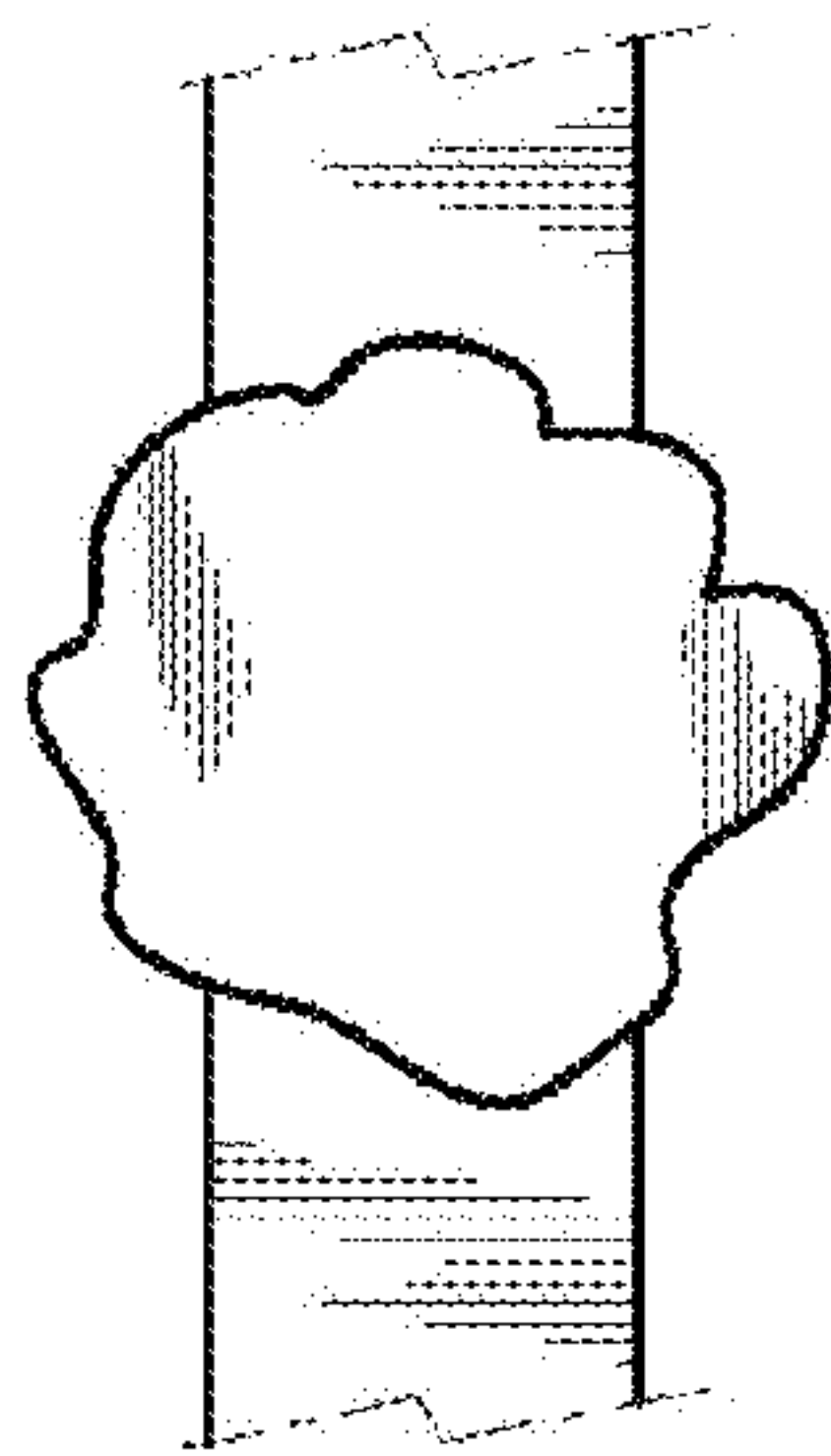


Fig. 3

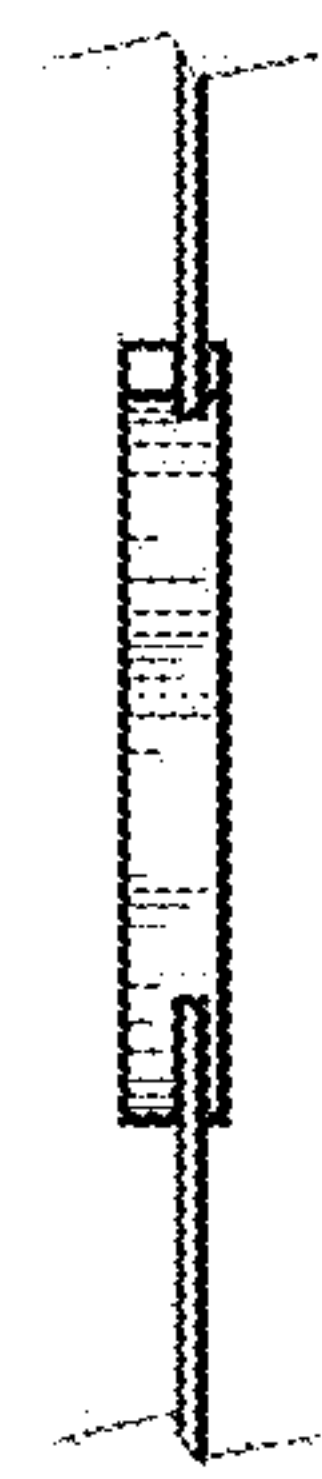


Fig. 4

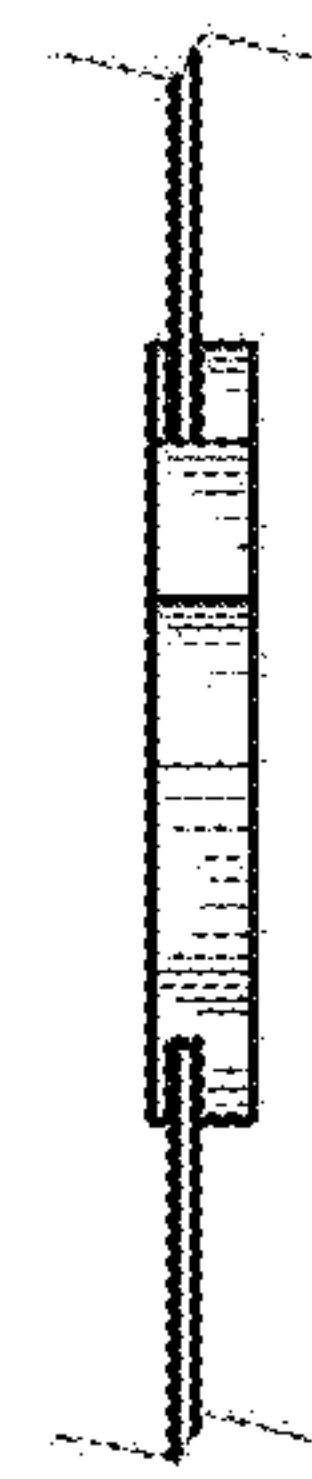


Fig. 5

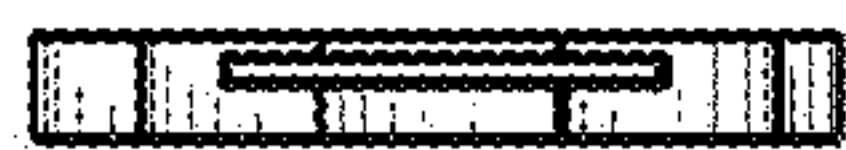


Fig. 6

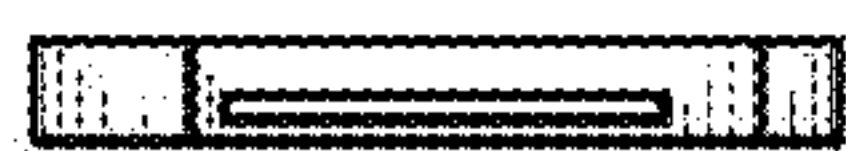


Fig. 7