



US00D734391S

(12) **United States Design Patent**  
**Huotari**

(10) **Patent No.:** **US D734,391 S**  
(45) **Date of Patent:** **\*\* Jul. 14, 2015**

(54) **COVER WITH INTEGRATED BINDER**

(71) Applicant: **Maping Co.**, Espoo (FI)

(72) Inventor: **Henri Huotari**, Espoo (FI)

(73) Assignee: **Maping Kommandiittiyhtiö L. Huotari**  
(FI)

(\*\*) Term: **14 Years**

(21) Appl. No.: **29/466,302**

(22) Filed: **Sep. 6, 2013**

(51) **LOC (10) Cl.** ..... **19-04**

(52) **U.S. Cl.**  
USPC ..... **D19/26**

(58) **Field of Classification Search**

USPC ..... D19/26, 27, 32, 99, 100; 281/3.1, 4,  
281/15.1, 19.1, 20, 21.1, 29, 34, 35, 45, 51;  
402/1, 24, 26, 60, 64, 70, 74, 78, 80 R;  
462/17, 55, 71, 72, 84; 206/424, 472,  
206/527

See application file for complete search history.

(56) **References Cited**

**U.S. PATENT DOCUMENTS**

219,419 A \* 9/1879 Thorp ..... 281/27.3  
765,230 A \* 7/1904 Edmondson ..... 281/19.1  
985,237 A \* 2/1911 Waterhouse ..... 402/63  
3,083,714 A \* 4/1963 Foster ..... 402/64  
D228,826 S \* 10/1973 Cleminshaw ..... D19/27

4,898,405 A \* 2/1990 Pickering et al. .... 281/29  
5,425,554 A \* 6/1995 Lamanna ..... 281/21.1  
D385,911 S \* 11/1997 Moses ..... D19/27  
D426,262 S \* 6/2000 Humphrey ..... D19/26  
D577,768 S \* 9/2008 Takahashi ..... D19/27  
2007/0096456 A1 \* 5/2007 Silverman ..... 281/51  
2008/0226385 A1 \* 9/2008 Ruble ..... 402/75  
2008/0273917 A1 \* 11/2008 Beuselinck et al. .... 402/75

\* cited by examiner

*Primary Examiner* — Cynthia M Chin

*Assistant Examiner* — Ieisha Price

(57) **CLAIM**

The ornamental design for a cover with integrated binder, as shown and described.

**DESCRIPTION**

FIG. 1 is a perspective front view of the cover with integrated binder, shown in an open position;

FIG. 2 is a front view thereof;

FIG. 3 is a rear view thereof;

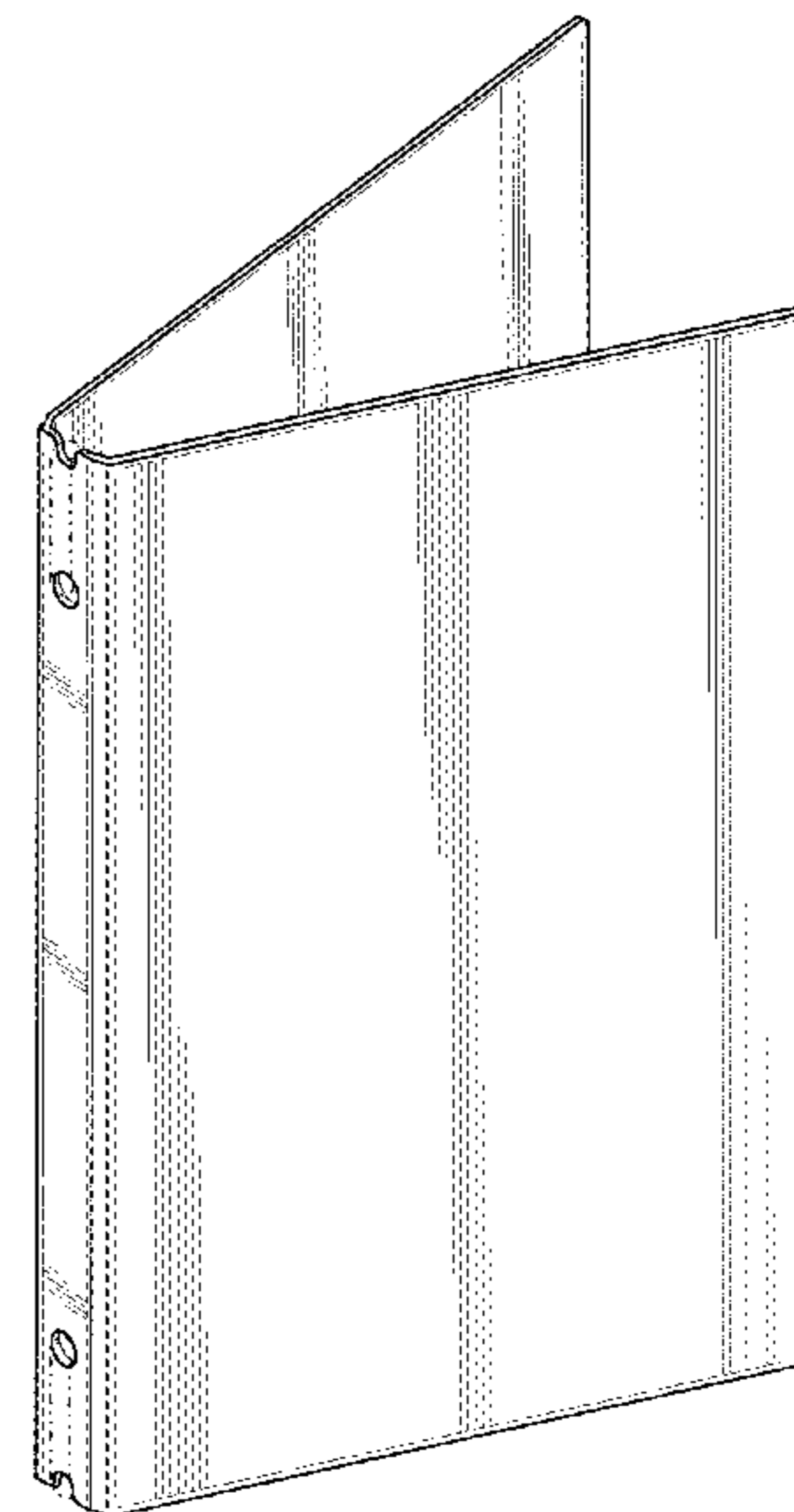
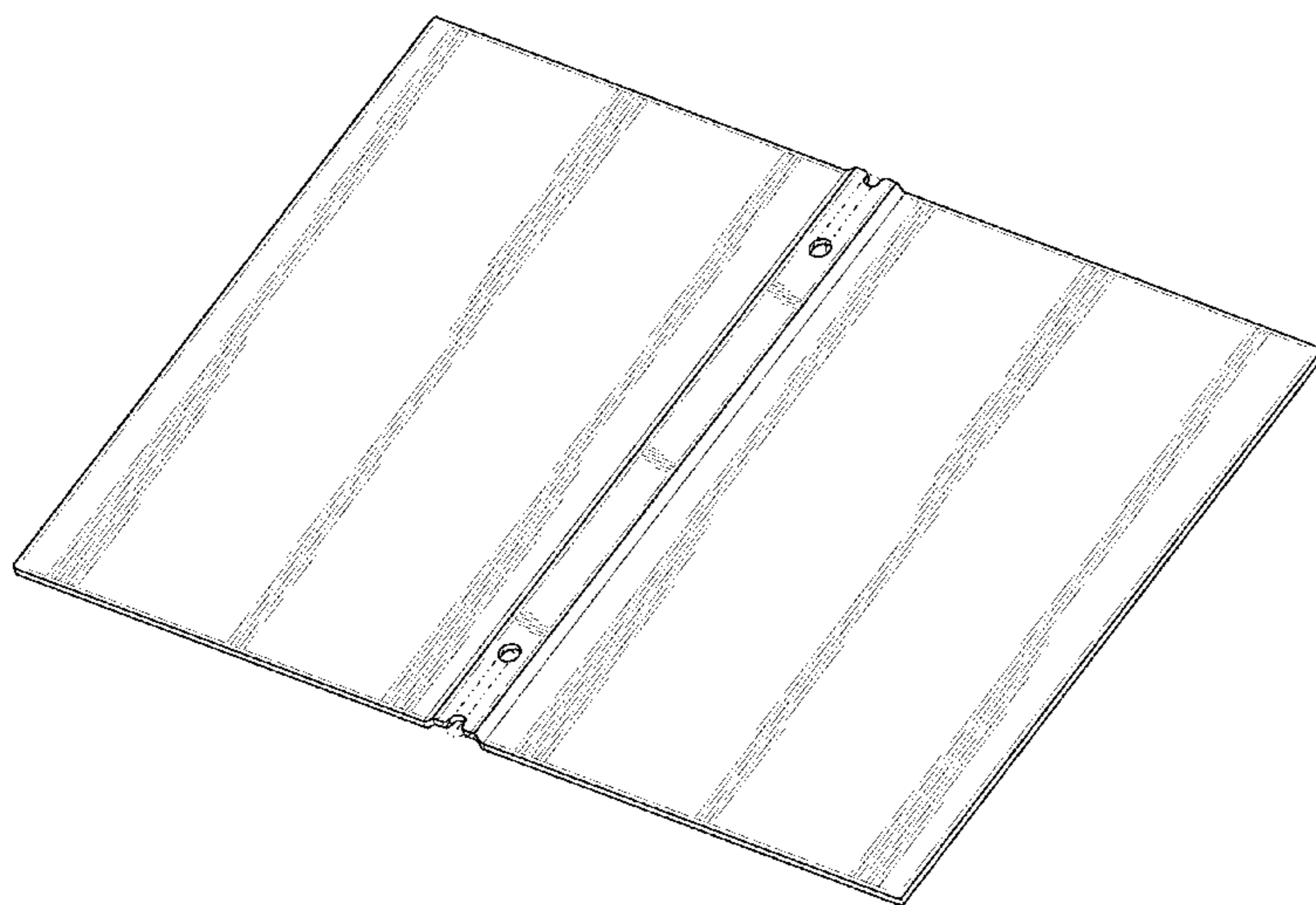
FIG. 4 is a left side view thereof, with the right side view being a mirror image of;

FIG. 5 is a top view thereof, with the bottom view being a mirror image of; and,

FIG. 6 is a perspective front view thereof, shown in a partially closed position.

The dash-dot-dash lines in the drawings illustrate portions of the cover with integrated binder and form no part of the claimed design.

**1 Claim, 5 Drawing Sheets**



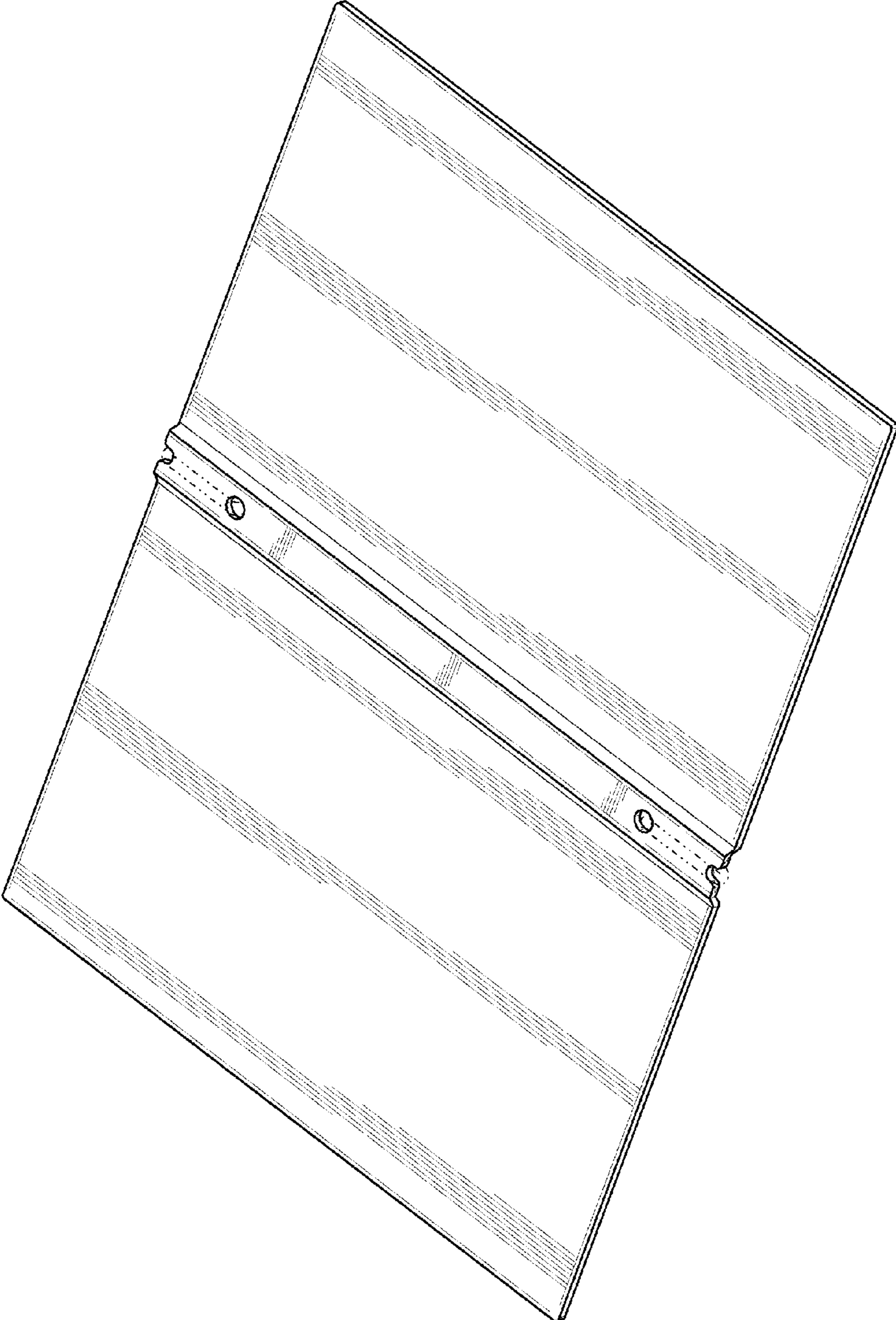


FIG. 1

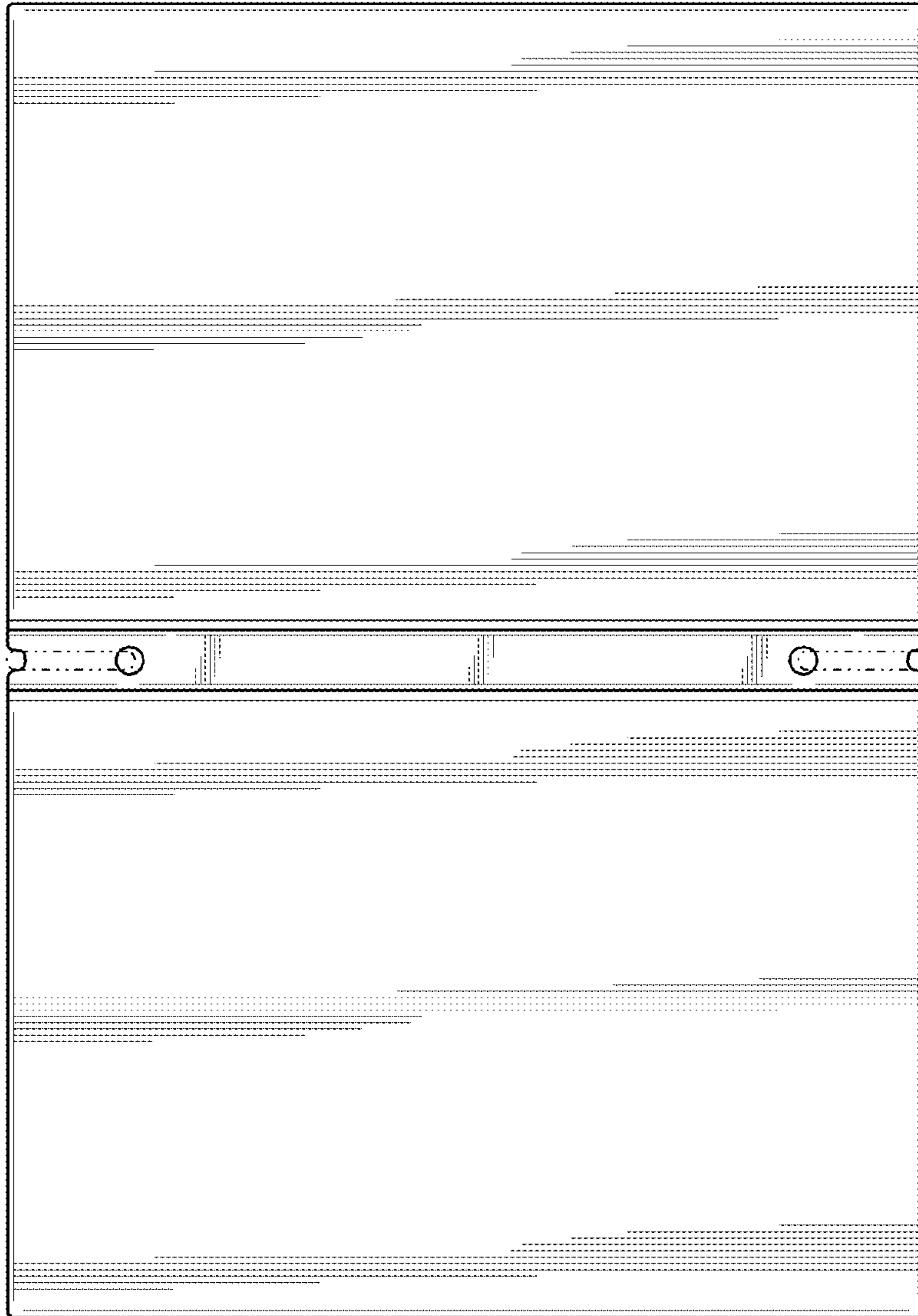


FIG. 2

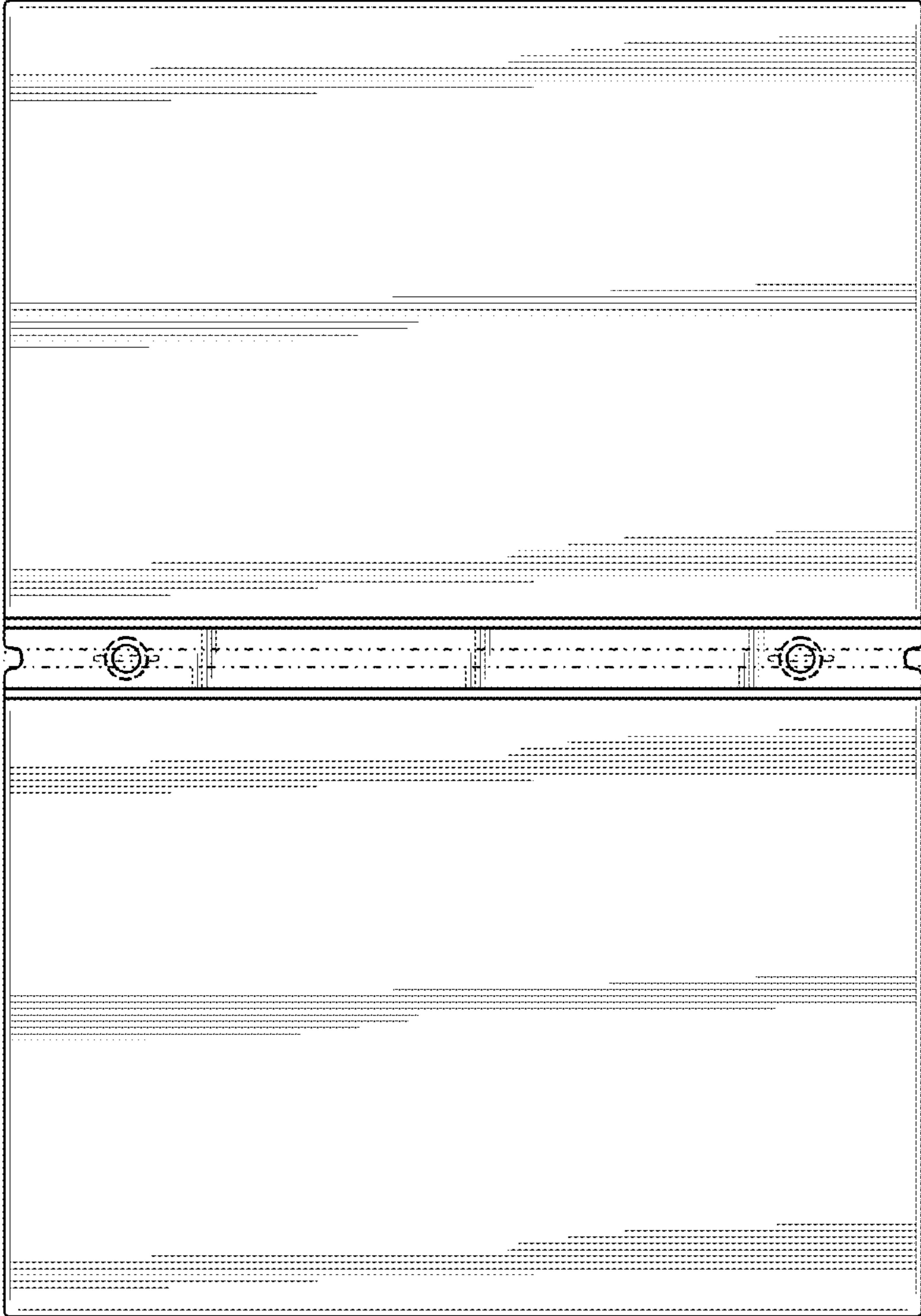


FIG. 3



FIG. 4



FIG. 5



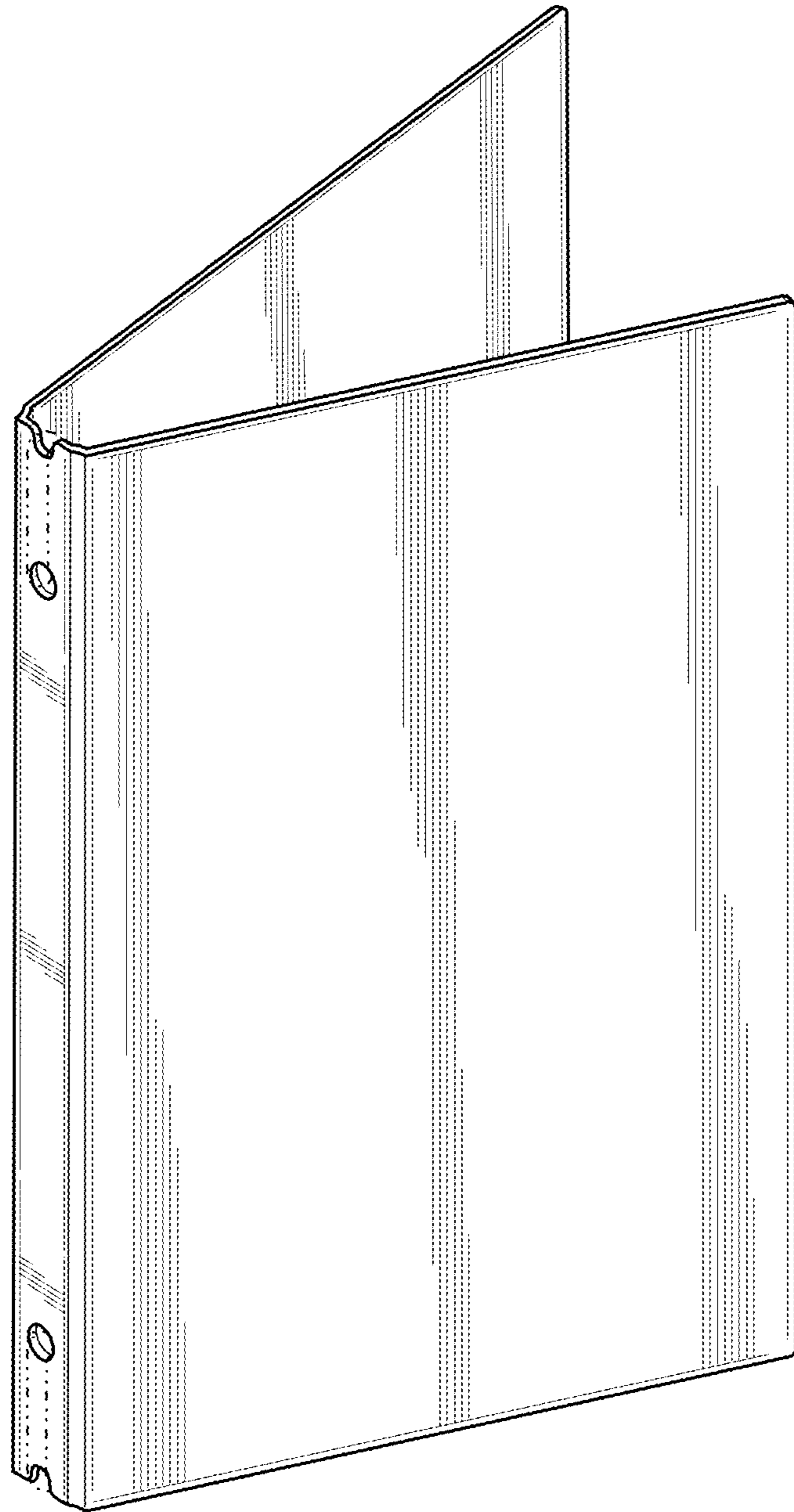


FIG. 6