



US00D734383S

(12) **United States Design Patent**
Matoba et al.

(10) **Patent No.:** **US D734,383 S**
(45) **Date of Patent:** **** Jul. 14, 2015**

(54) **PROJECTOR**

(71) Applicant: **Hitachi Maxell, Ltd.**, Osaka (JP)

(72) Inventors: **Kosuke Matoba**, Tokyo (JP); **Atsushi Ishibashi**, Tokyo (JP); **Toshiyuki Moriya**, Tokyo (JP); **Takafumi Ishizu**, Ibaraki (JP); **Yasuhito Sakayoke**, Ibaraki (JP)

(73) Assignee: **HITACHI MAXELL, LTD.**, Osaka (JP)

(**) Term: **14 Years**

(21) Appl. No.: **29/492,312**

(22) Filed: **May 30, 2014**

(51) **LOC (10) Cl.** **16-02**

(52) **U.S. Cl.**
USPC **D16/230; D16/229**

(58) **Field of Classification Search**
USPC **D16/221, 225, 229-231, 234; 353/115, 353/119, 122; D21/514**
See application file for complete search history.

(56) **References Cited**

U.S. PATENT DOCUMENTS

5,876,105 A * 3/1999 Rodriguez, Jr. 353/119
6,231,191 B1 * 5/2001 Shiraishi et al. 353/119

D460,777 S * 7/2002 Oka D16/230
D498,488 S * 11/2004 Oota et al. D16/225
D627,386 S * 11/2010 Kawaguchi et al. D16/229
D639,330 S * 6/2011 Kawaguchi et al. D16/230
D712,450 S * 9/2014 Hamaue et al. D16/229

* cited by examiner

Primary Examiner — Wan Laymon

(74) *Attorney, Agent, or Firm* — Baker Botts L.L.P.

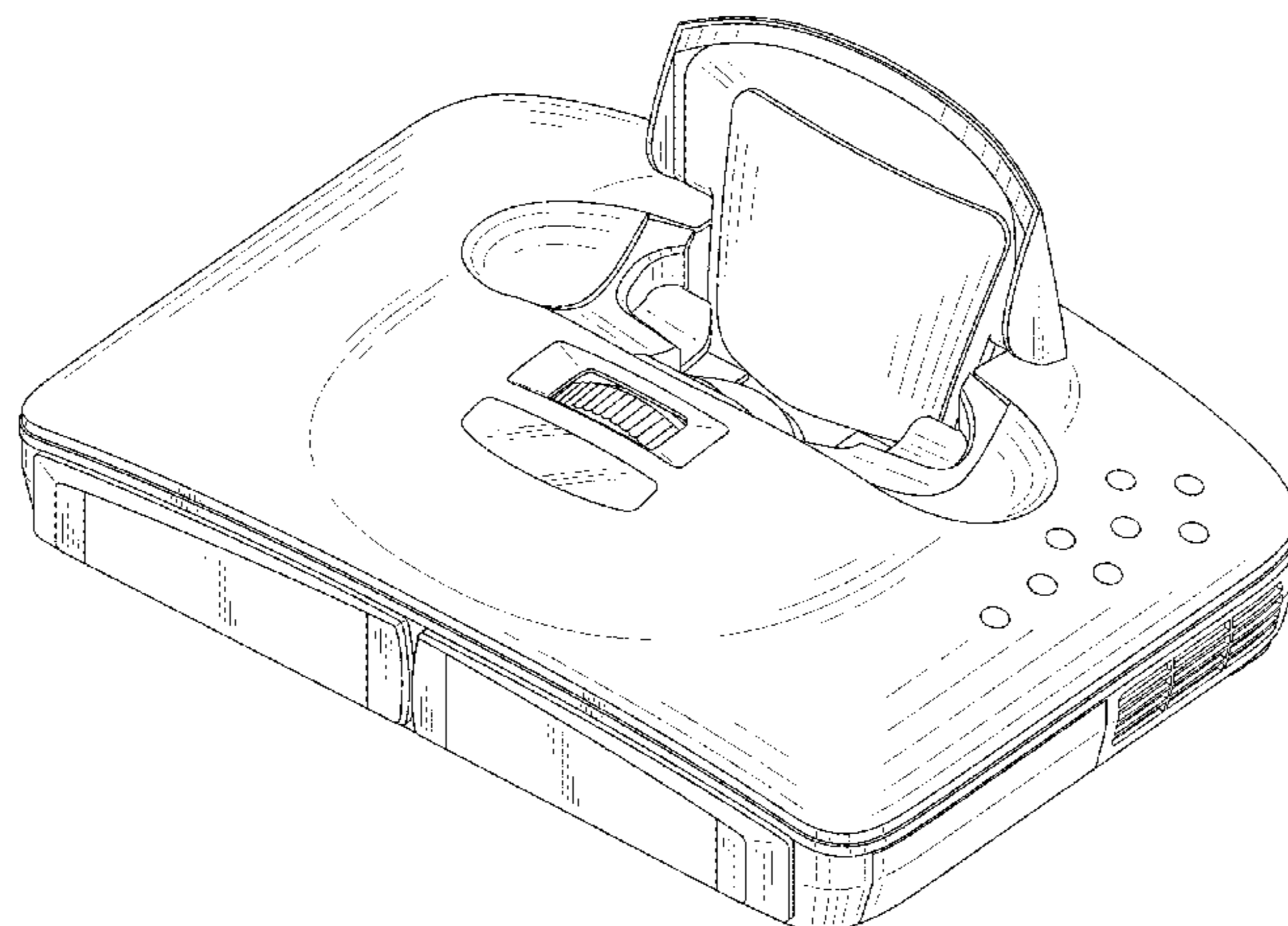
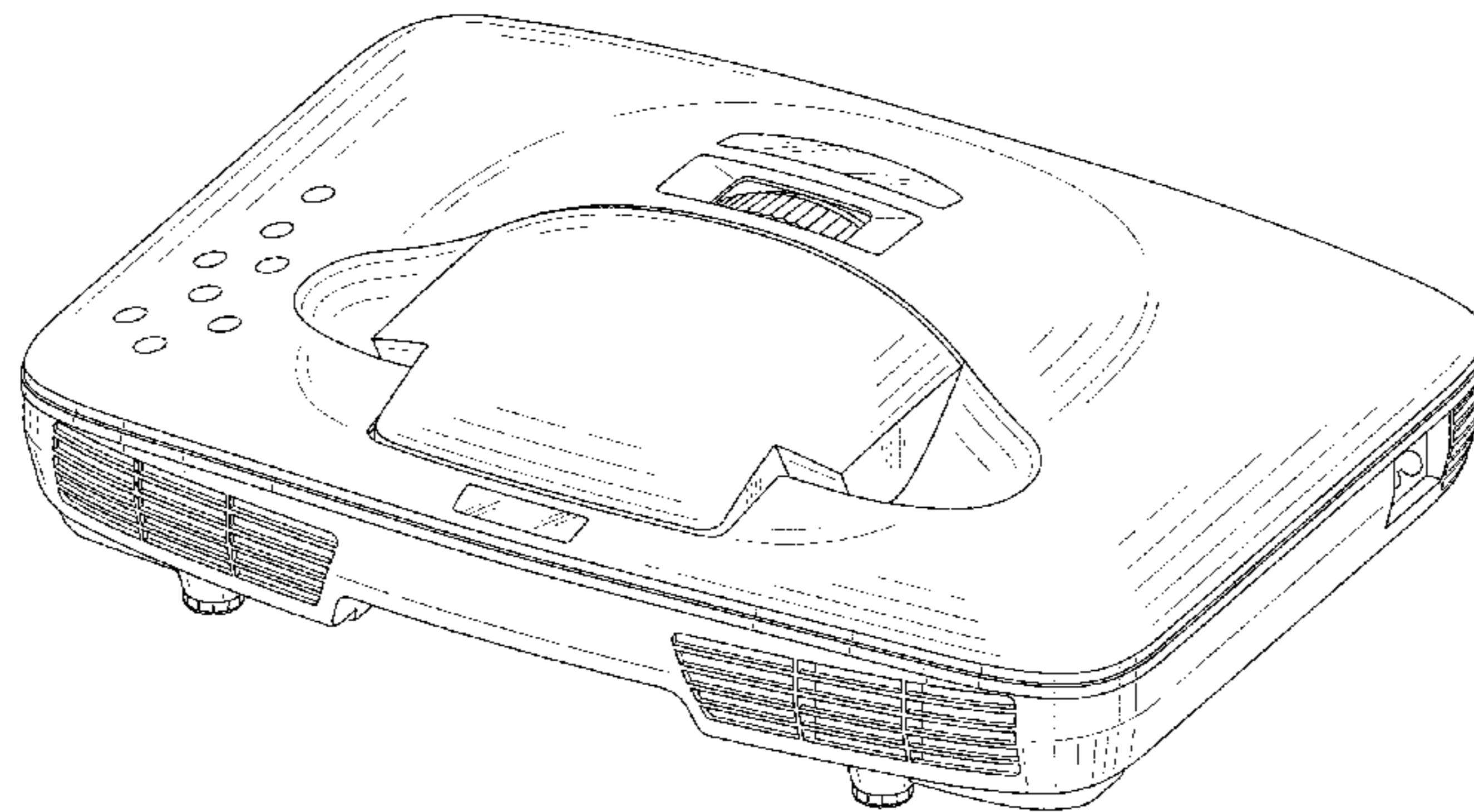
(57) **CLAIM**

The ornamental design for a projector, as shown and described.

DESCRIPTION

FIG. 1 is a front perspective view of a projector showing our new design;
FIG. 2 is a front view thereof;
FIG. 3 is a right side view thereof;
FIG. 4 is a left side view thereof;
FIG. 5 is a top plan view thereof;
FIG. 6 is a bottom plan view thereof;
FIG. 7 is a rear view thereof;
FIG. 8 is a front perspective view showing the mirror open position;
FIG. 9 is a rear perspective view showing the mirror open position; and,
FIG. 10 is a right side view showing the mirror open position.

1 Claim, 9 Drawing Sheets



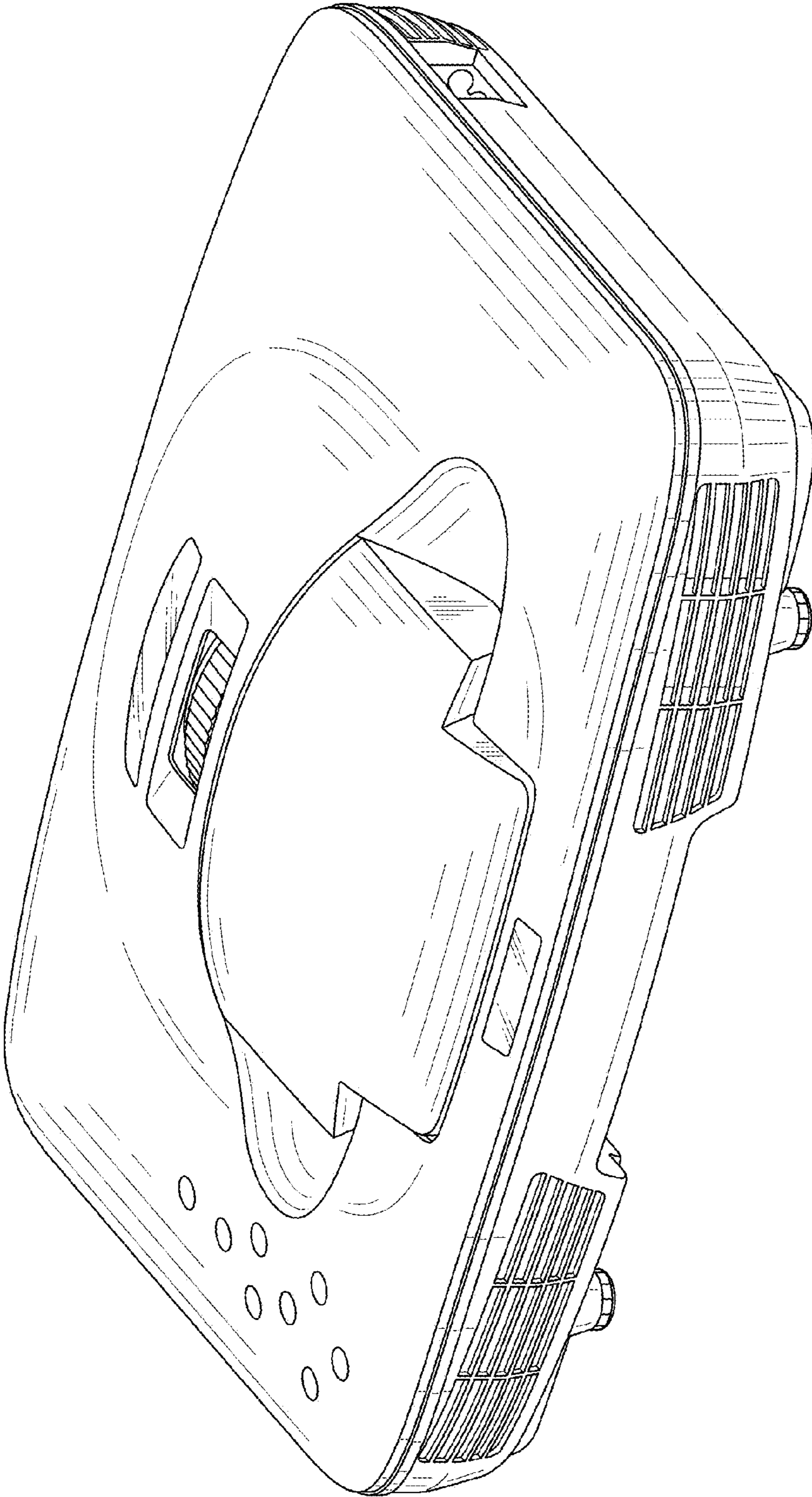


FIG. 1

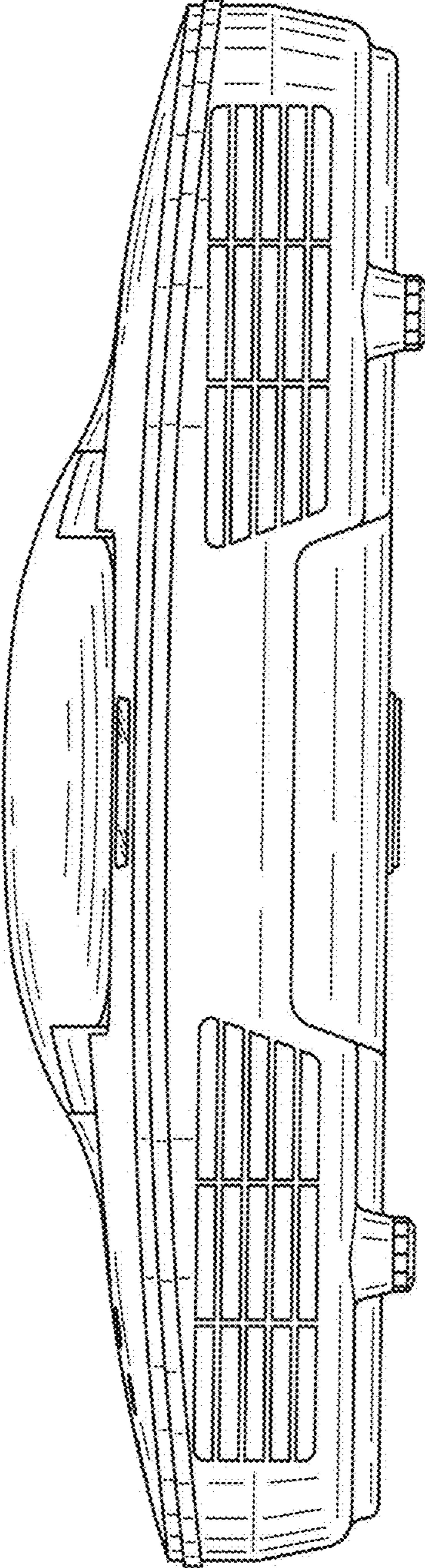


FIG. 2

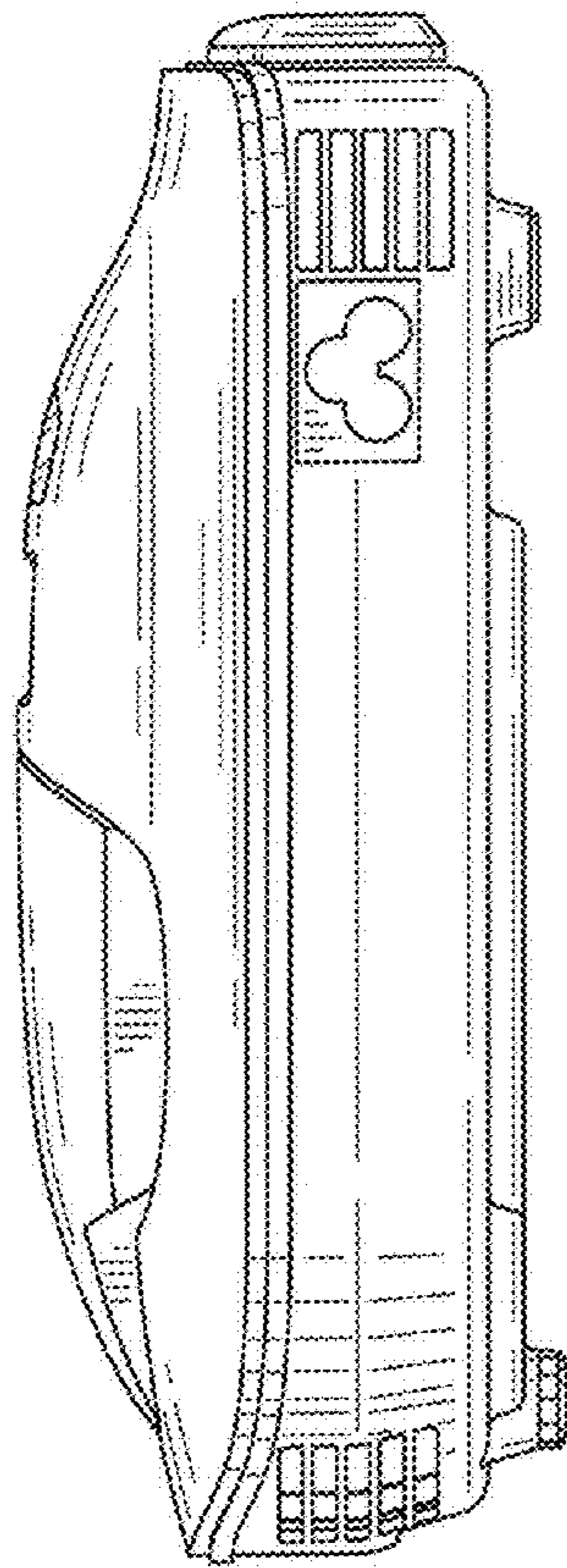


FIG. 3

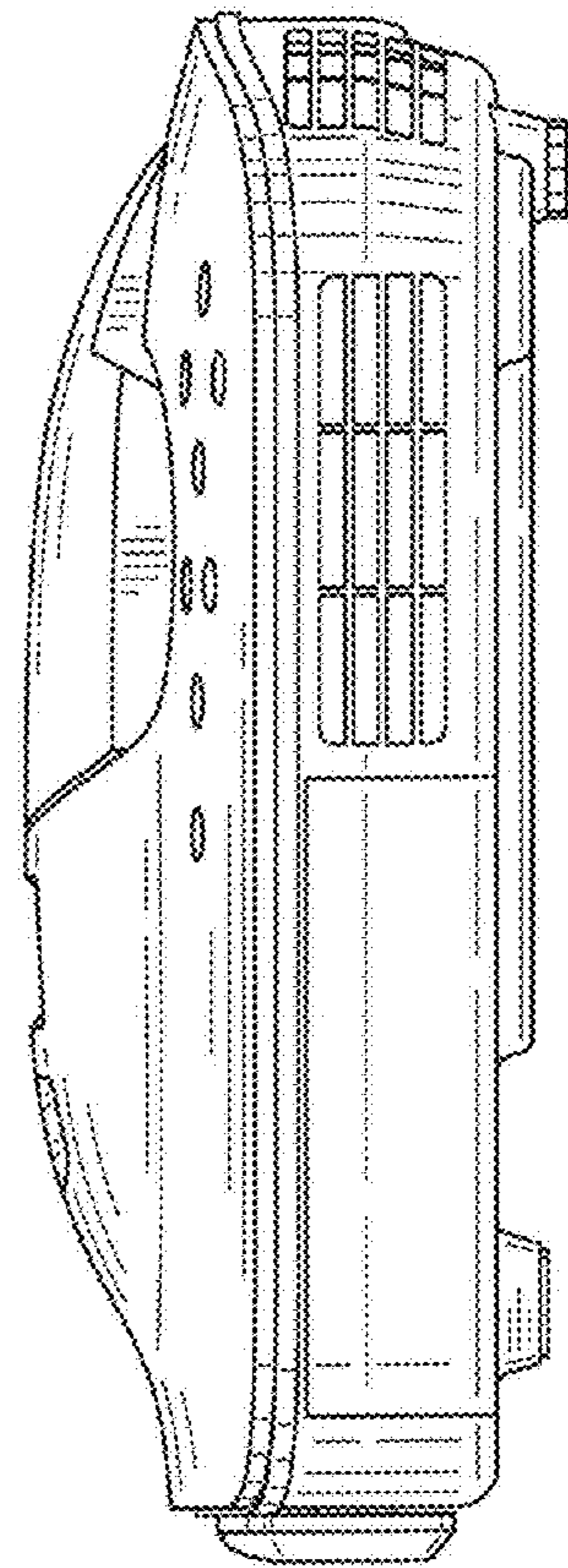


FIG. 4

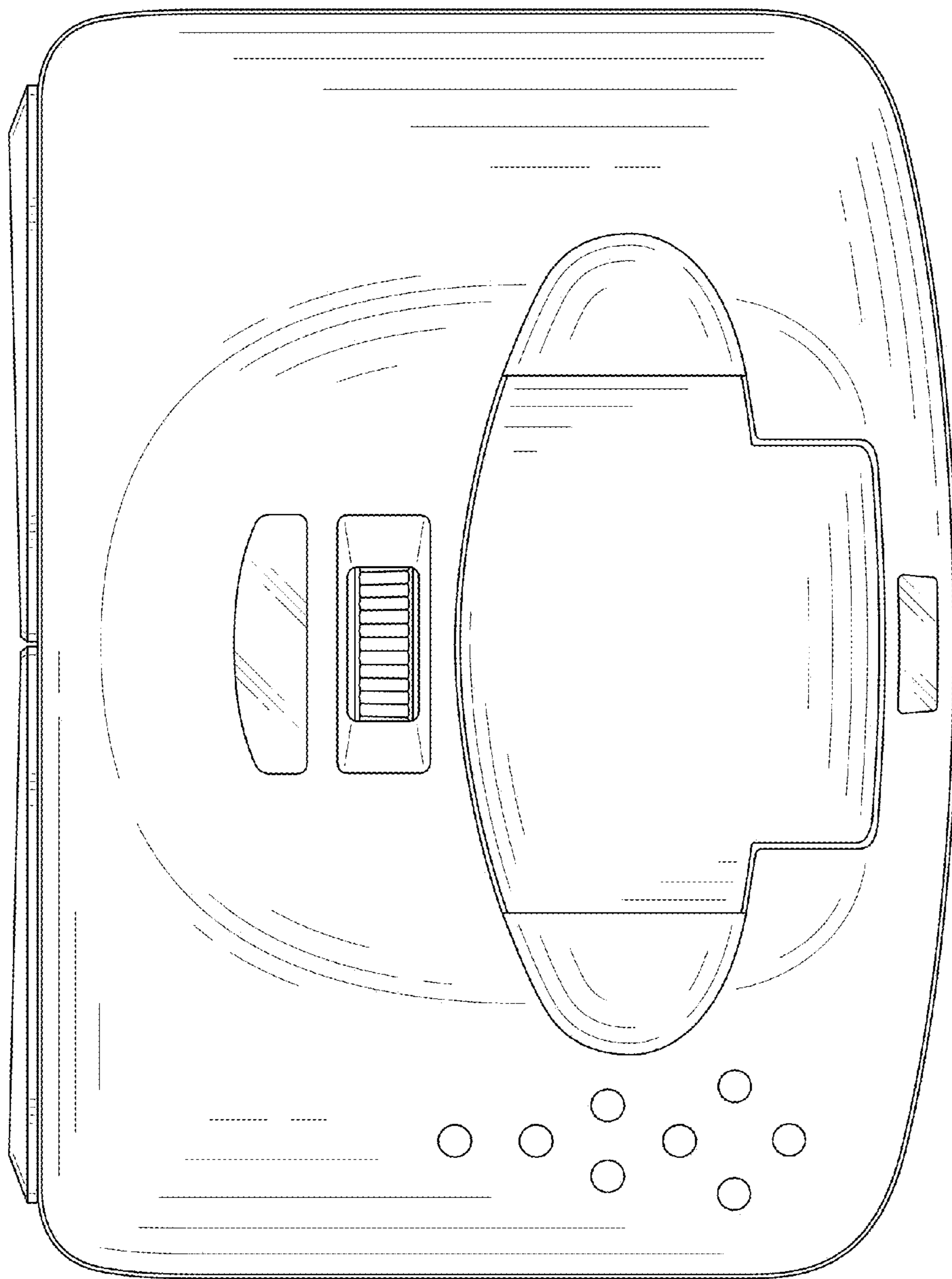


FIG. 5

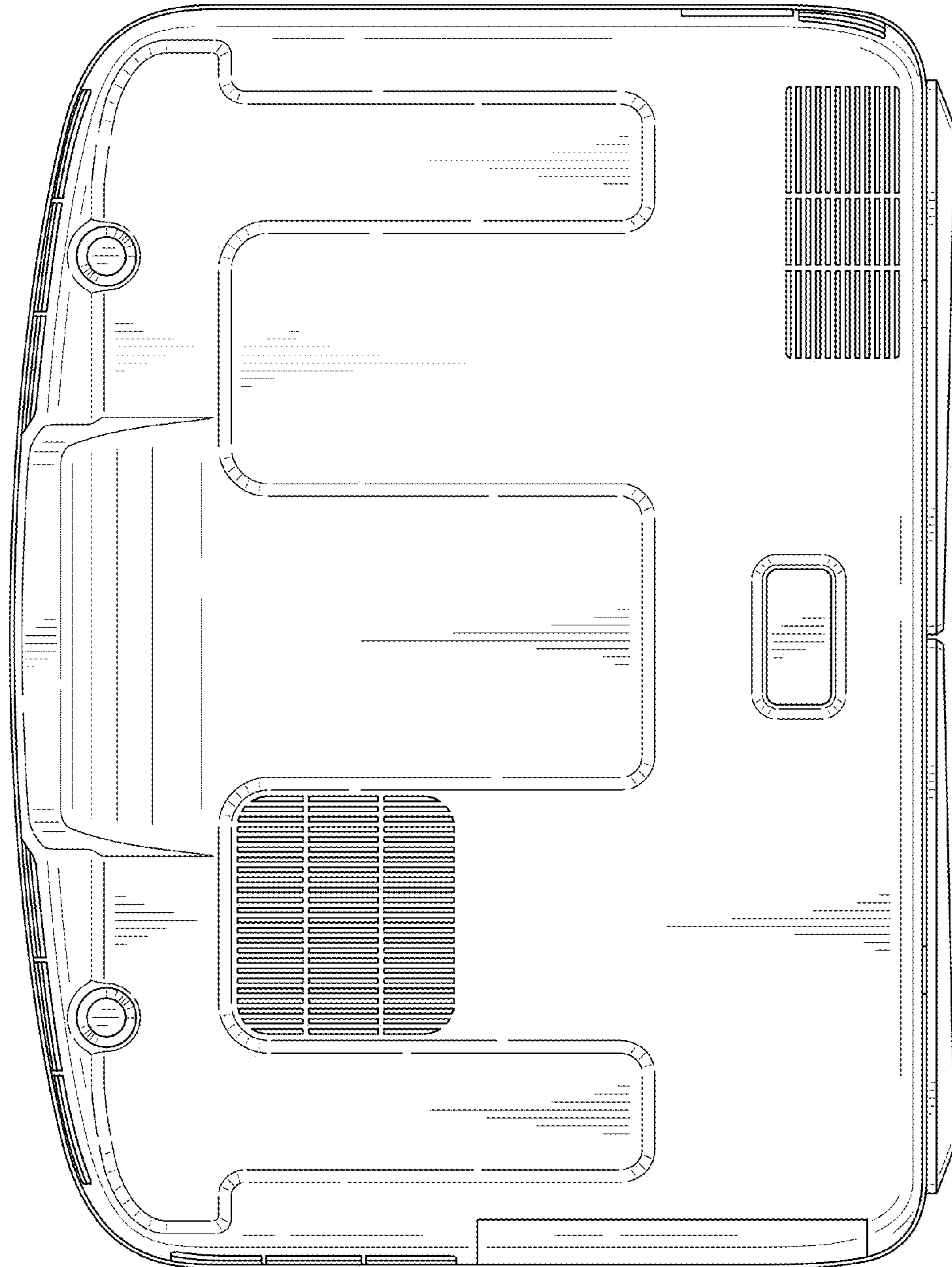


FIG. 6

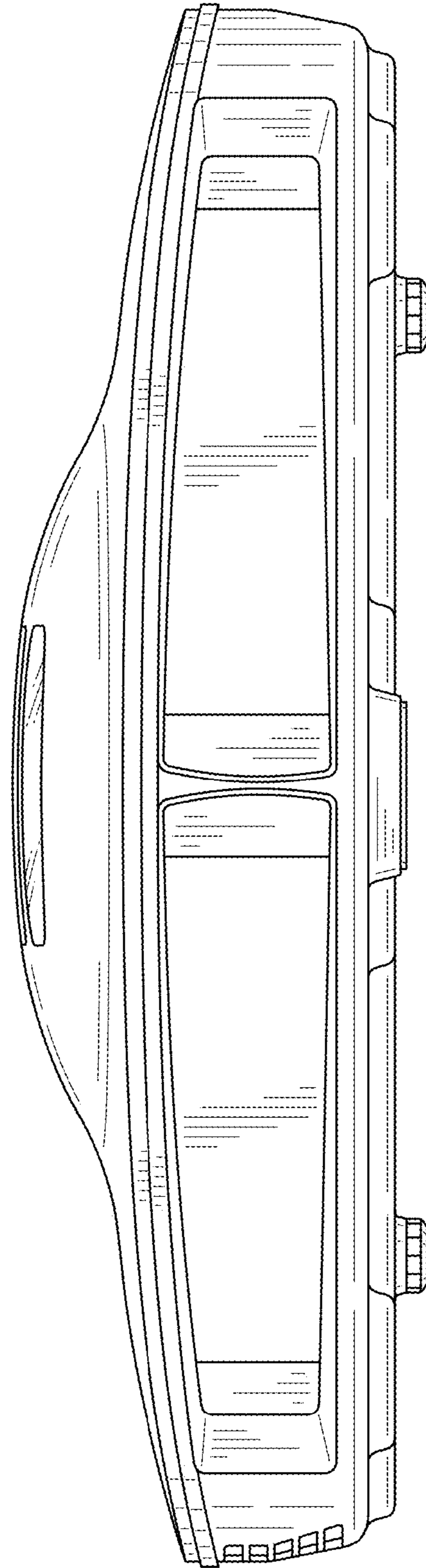


FIG. 7

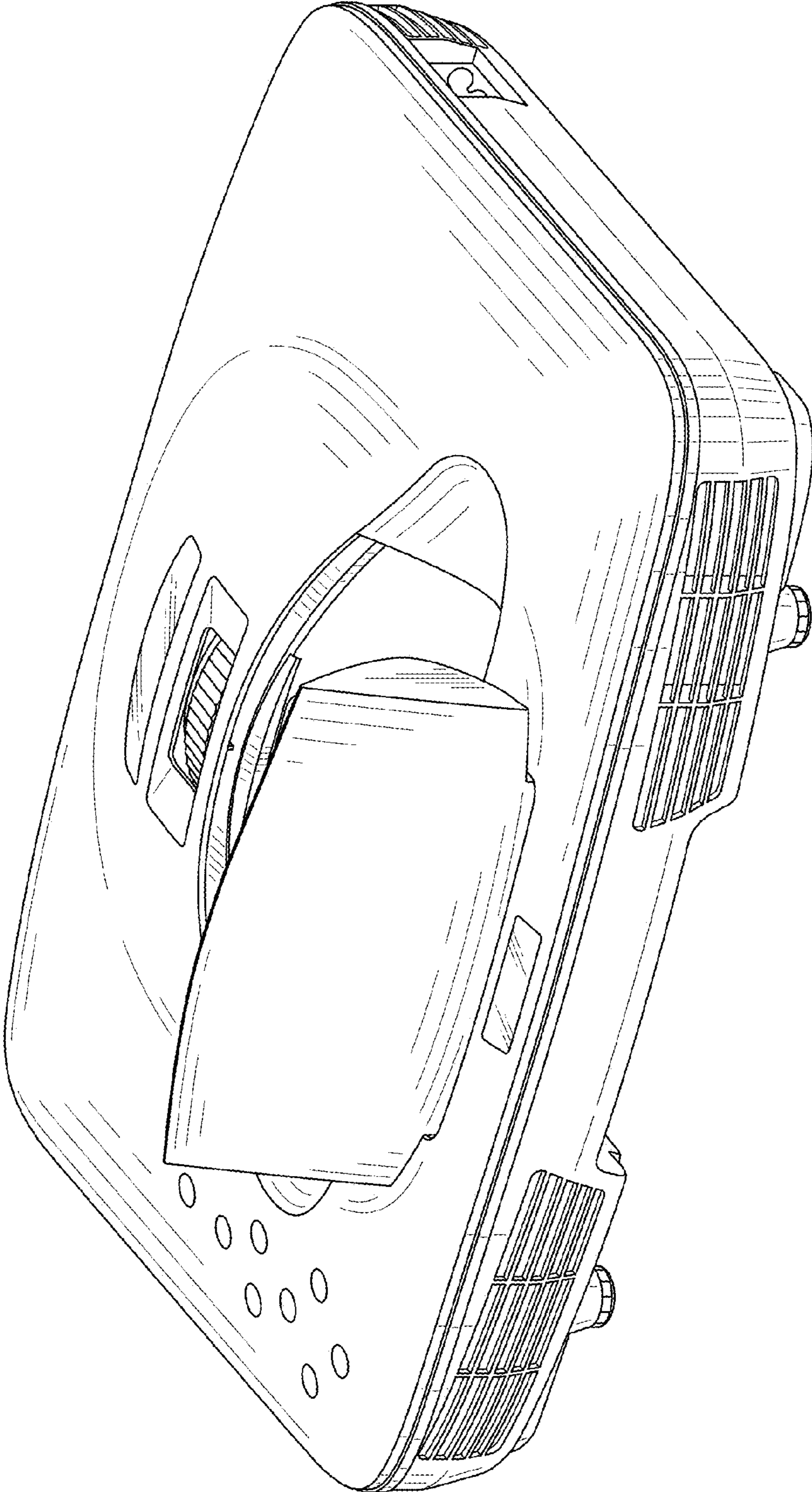


FIG. 8

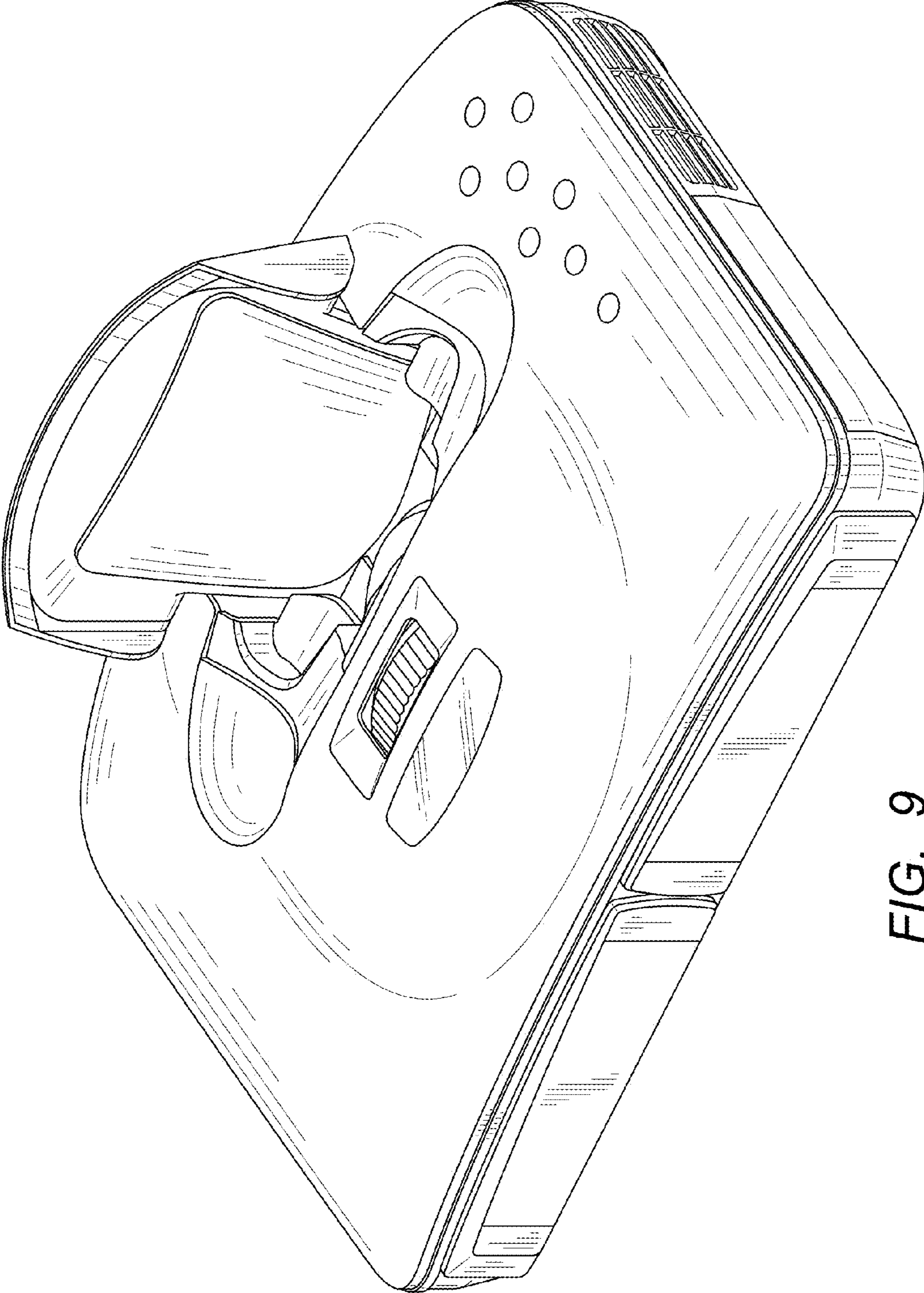


FIG. 9

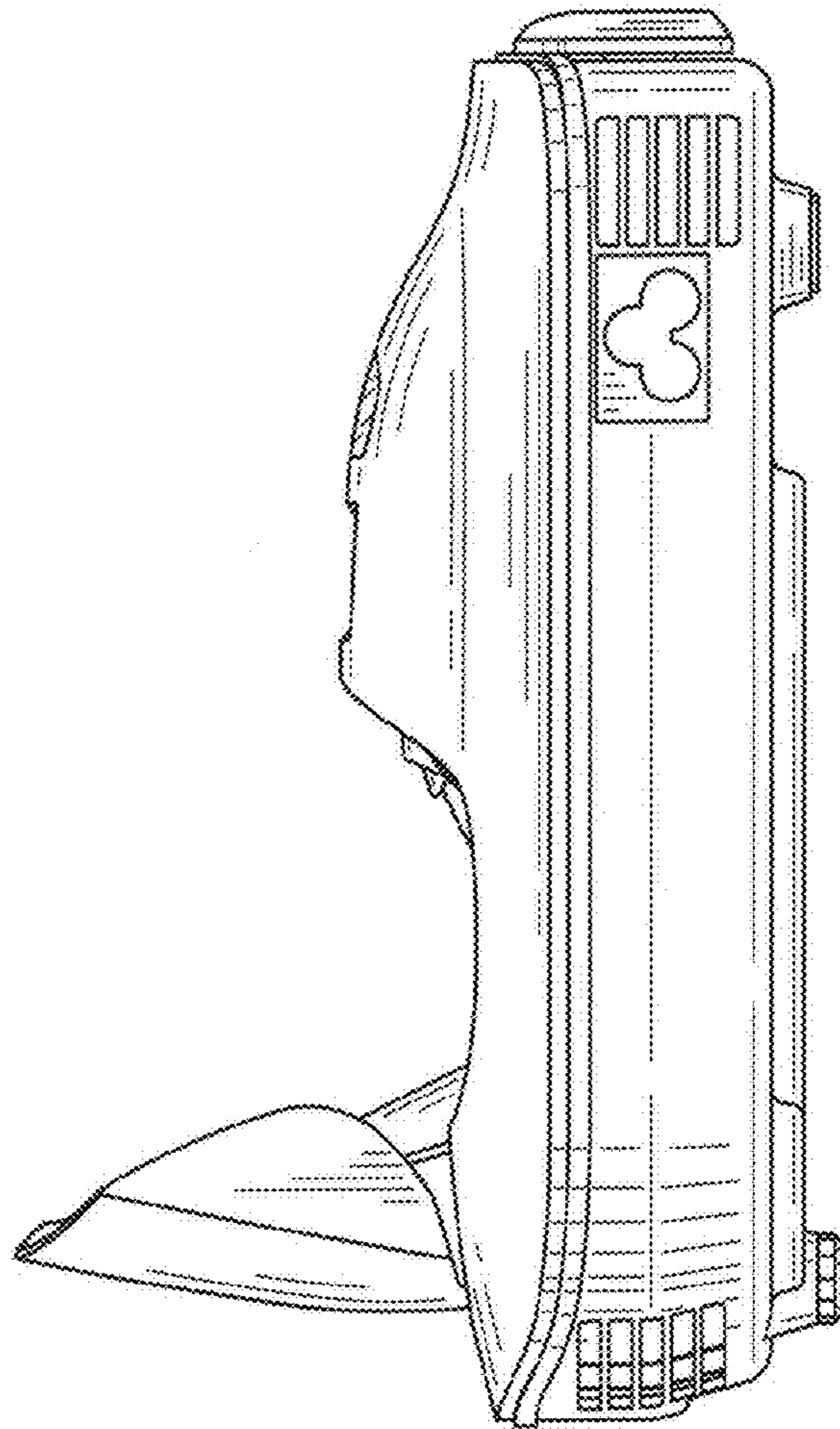


FIG. 10