

US00D734382S

(12) **United States Design Patent**
Kim et al.

(10) **Patent No.:** **US D734,382 S**
(45) **Date of Patent:** **** Jul. 14, 2015**

(54) **BEAM PROJECTOR**

FOREIGN PATENT DOCUMENTS

(71) Applicant: **LG ELECTRONICS INC.**, Seoul (KR)

CN 302341654 * 3/2013

(72) Inventors: **Kyoungjoung Kim**, Seoul (KR);
Boyeun Park, Seoul (KR); **Hyunhee You**, Seoul (KR)

OTHER PUBLICATIONS

The Smart Kitchen TV, <http://www.red-dot.sg/ko/online-exhibition/concept/?code=818&y=2013&c=18&a=2?code=818&y=2013&c=18&a=2>, printed Mar. 11, 2013, 2 pages.

(73) Assignee: **LG Electronics Inc.**, Seoul (KR)

* cited by examiner

(**) Term: **14 Years**

Primary Examiner — Wan Laymon

(21) Appl. No.: **29/488,929**

(74) *Attorney, Agent, or Firm* — Birch, Stewart, Kolasch & Birch, LLP

(22) Filed: **Apr. 24, 2014**

(57) **CLAIM**

The ornamental design for a beam projector, as shown and described.

(30) **Foreign Application Priority Data**

DESCRIPTION

Mar. 11, 2014 (KR) 30-2014-0012232

(51) **LOC (10) Cl.** **16-02**

(52) **U.S. Cl.**
USPC **D16/230**

(58) **Field of Classification Search**
USPC D16/221, 225, 230–231, 234; D21/514;
352/34, 242; 353/39, 115, 119, 122
See application file for complete search history.

FIG. 1 is a perspective view of a beam projector showing our new design;
FIG. 2 is a front view thereof;
FIG. 3 is a rear view thereof;
FIG. 4 is a left side view thereof;
FIG. 5 is a right side view thereof;
FIG. 6 is a top plan view thereof;
FIG. 7 is a bottom plan view thereof;
FIG. 8 is a reference view thereof showing an example of the usage of the subject design in a condition that the subject design is installed under the kitchen shelf; and,
FIG. 9 is a reference rear perspective view thereof showing the state that the left lens part of the subject design can be swivelled at an angle of 180 degrees.
The broken lines show unclaimed subject matter only and form no part of the claimed design.

(56) **References Cited**

U.S. PATENT DOCUMENTS

D350,106 S * 8/1994 Ina D16/234
5,416,541 A * 5/1995 Fog 353/119
D382,580 S * 8/1997 Dresselhaus et al. D16/225
D512,736 S * 12/2005 Zadeh et al. D16/230
D520,045 S * 5/2006 Han et al. D16/230
D665,442 S * 8/2012 Tzeng D16/225

1 Claim, 9 Drawing Sheets

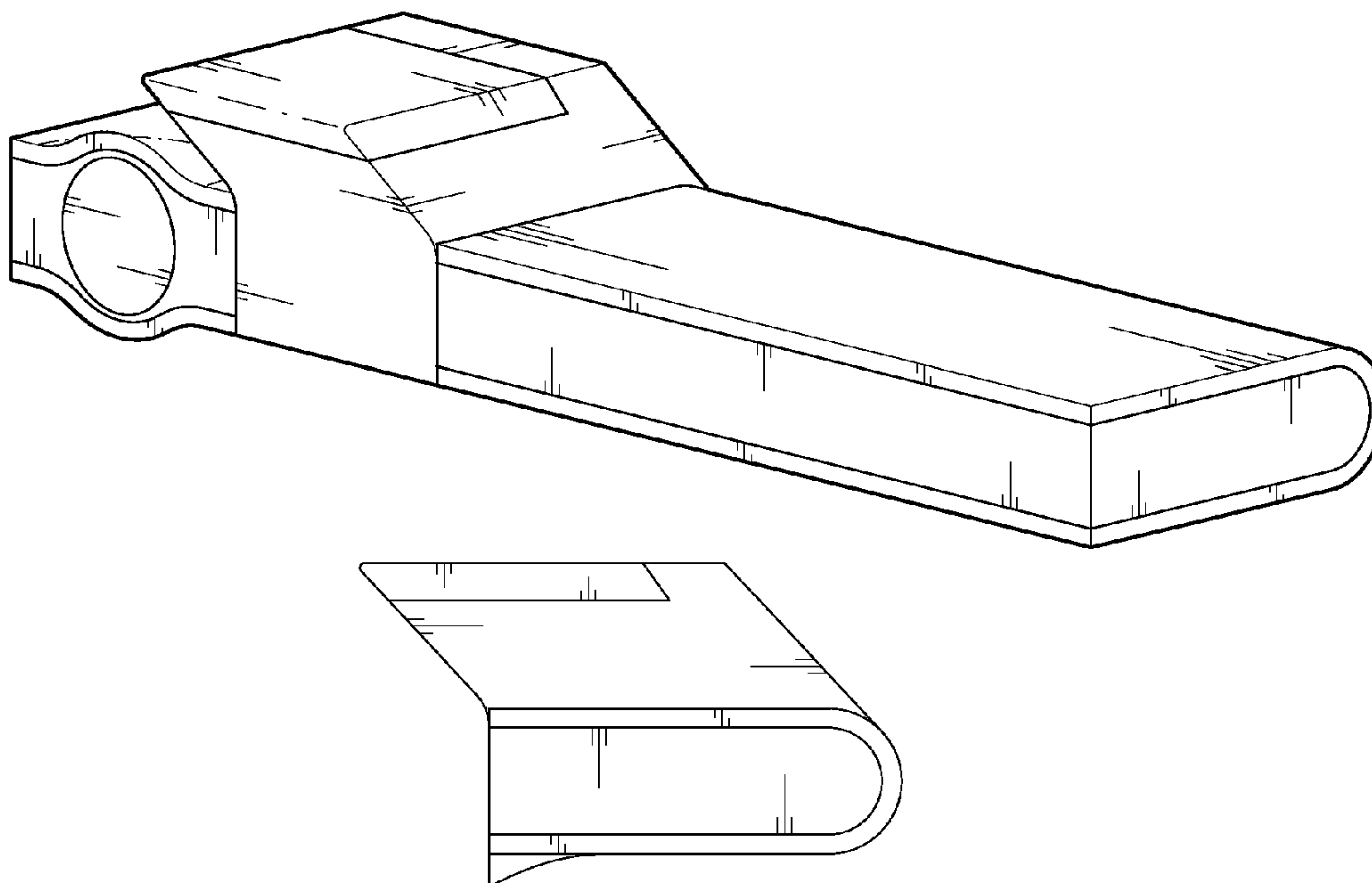


FIG. 1

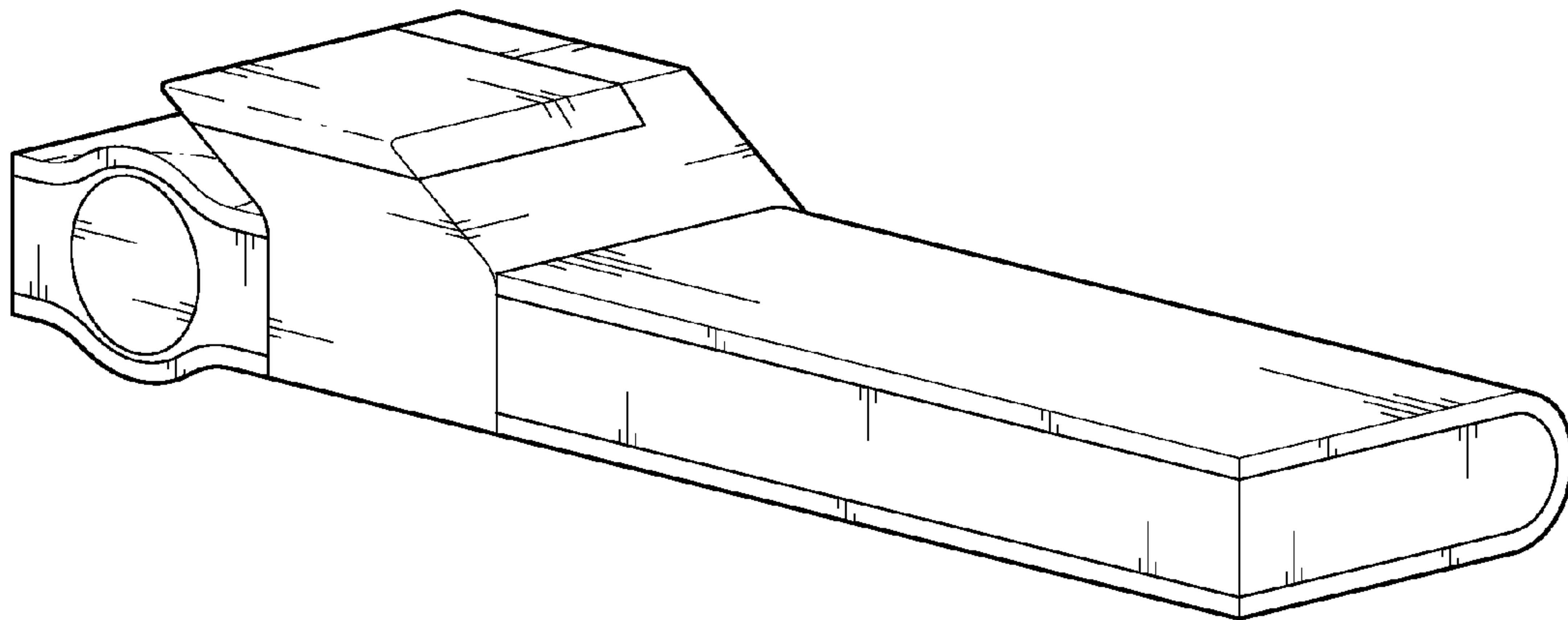


FIG. 2

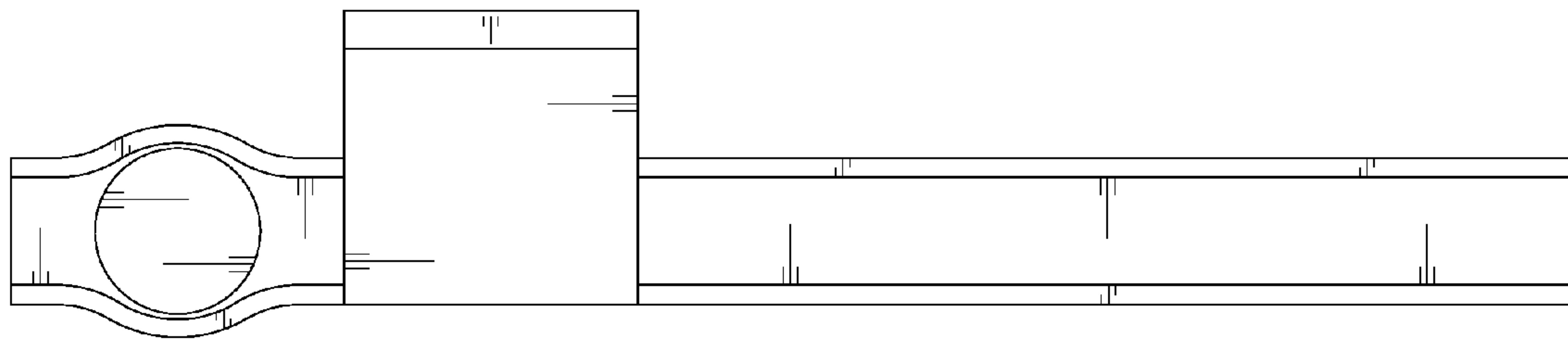


FIG. 3

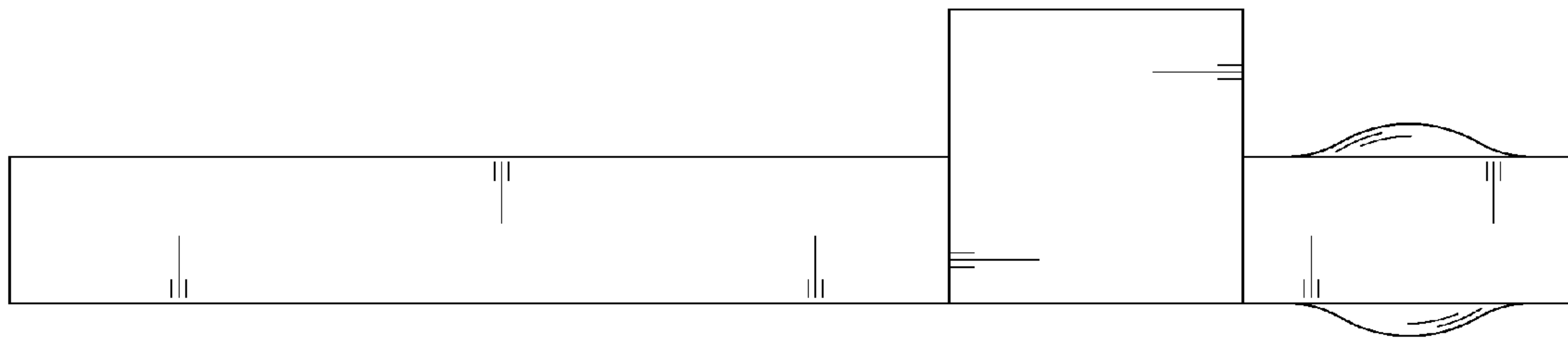


FIG. 4

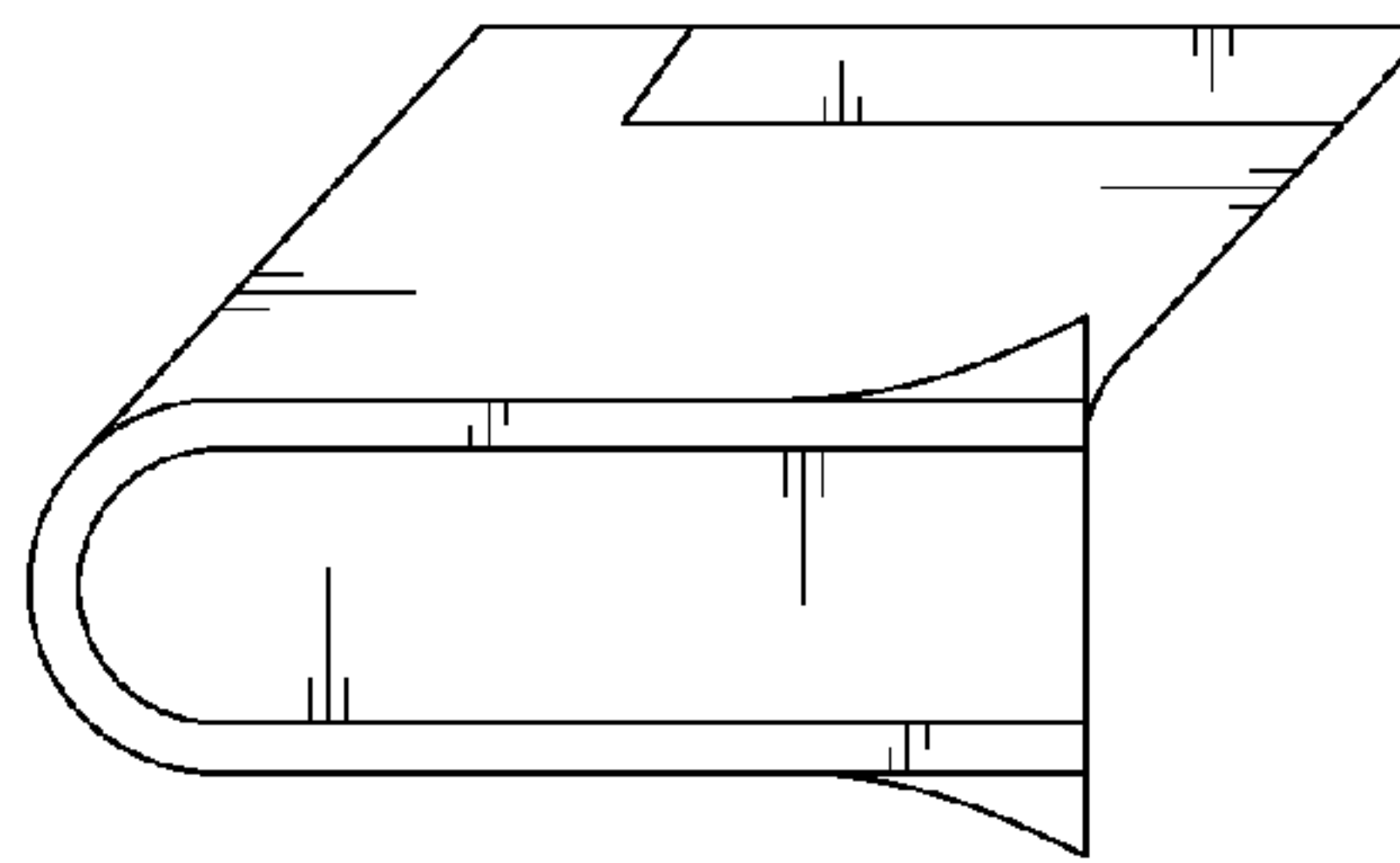


FIG. 5

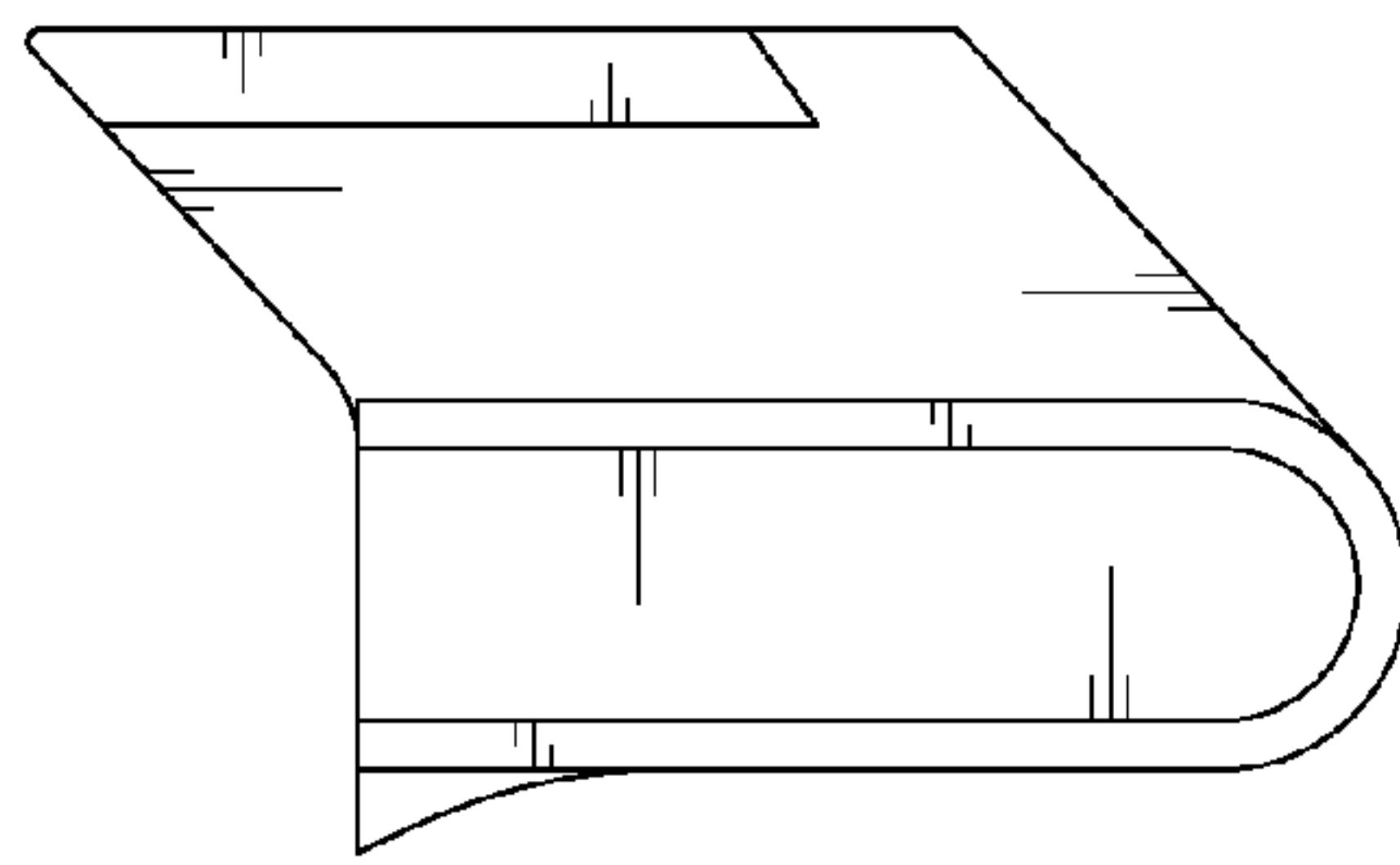


FIG. 6

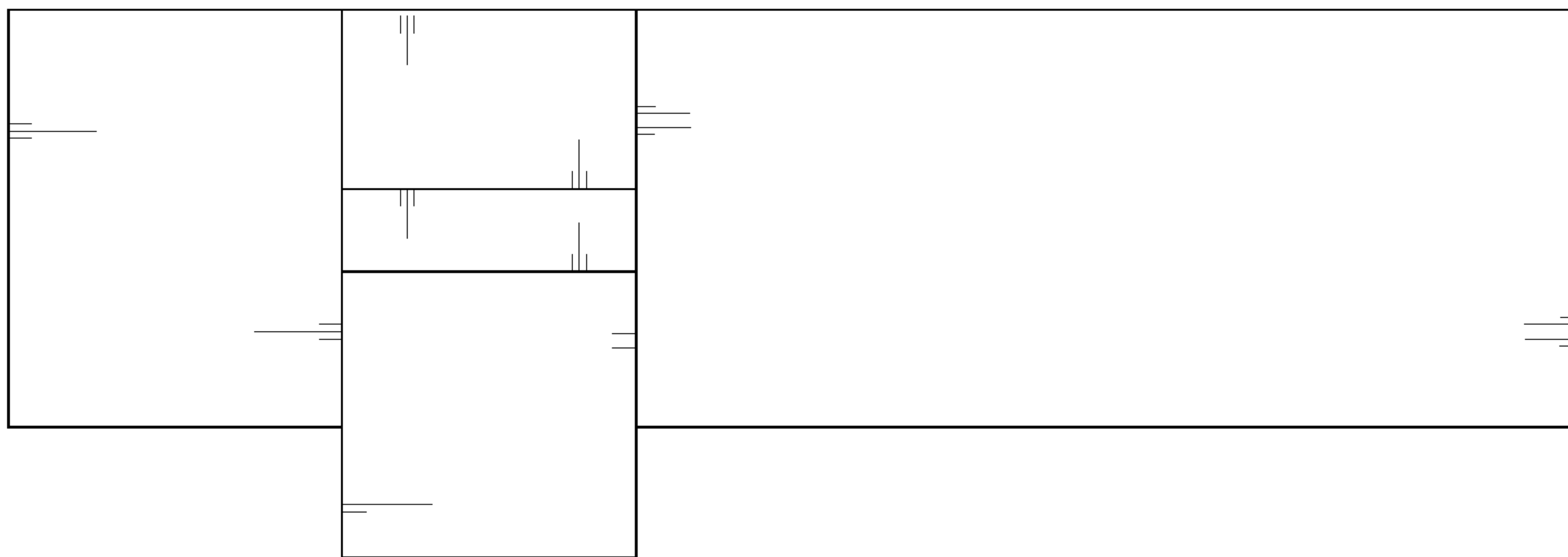


FIG. 7

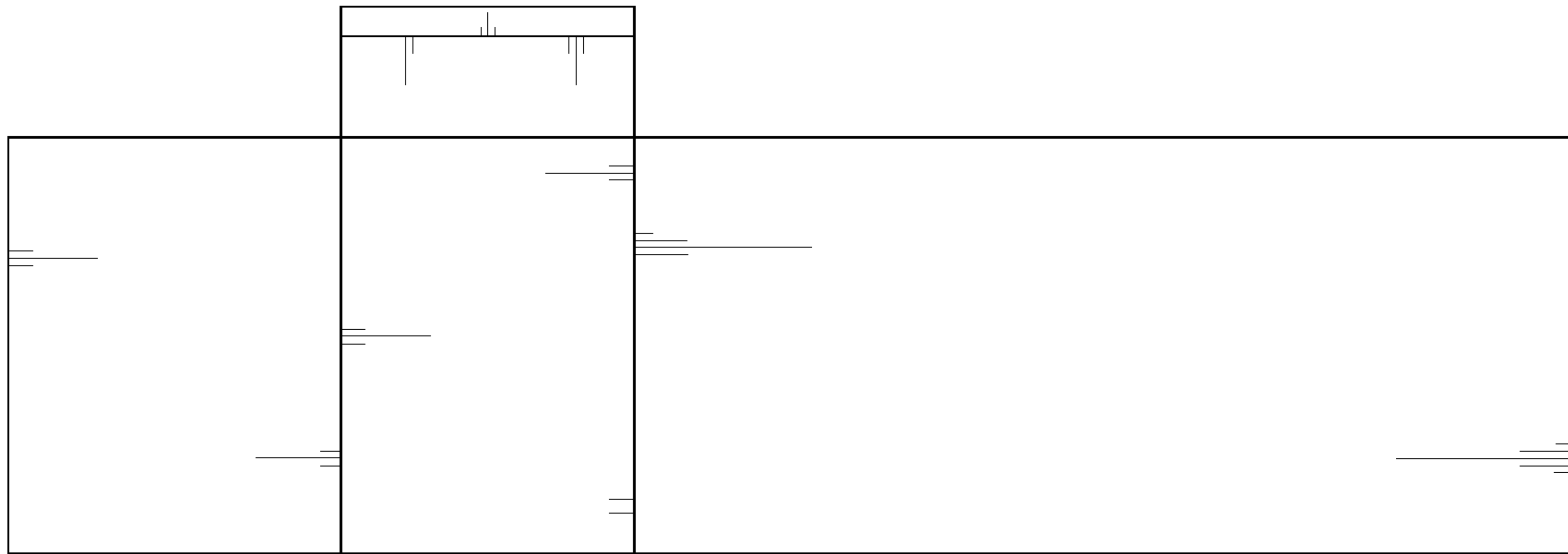


FIG. 8

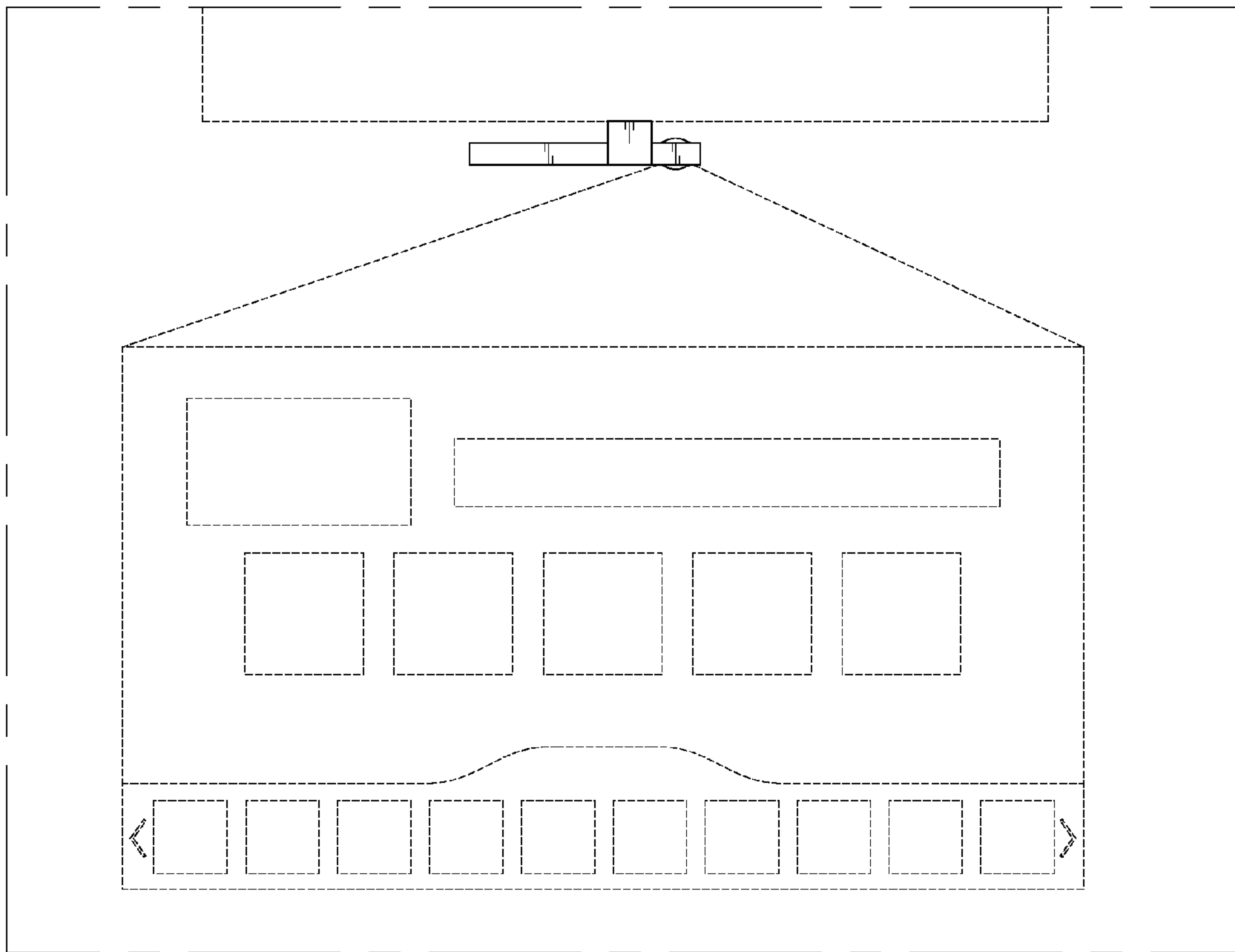


FIG. 9

