



US00D734380S

(12) **United States Design Patent**  
**Tzarnotzky et al.**

(10) **Patent No.:** **US D734,380 S**

(45) **Date of Patent:** **\*\* Jul. 14, 2015**

(54) **PANORAMIC VIDEO CAMERA CHASSIS**

(71) Applicant: **ALTIA SYSTEMS INC.**, Cupertino, CA (US)

(72) Inventors: **Uri Tzarnotzky**, Palo Alto, CA (US); **Atif Sarwari**, Saratoga, CA (US); **Lars Herlitz**, Atherton, CA (US); **Aurangzeb Khan**, Portola Valley, CA (US)

(73) Assignee: **ALTIA SYSTEMS INC.**, Cupertino, CA (US)

(\*\*) Term: **14 Years**

(21) Appl. No.: **29/434,762**

(22) Filed: **Oct. 16, 2012**

(51) **LOC (10) Cl.** ..... **16-05**

(52) **U.S. Cl.**  
USPC ..... **D16/219**; D16/207

(58) **Field of Classification Search**  
USPC ..... D16/200–208, 210, 218, 219, 242, 244, D16/245, 214; 348/373–376; 358/906; 396/419, 427, 428, 535, 539–541  
CPC ..... G03B 15/03; G03B 17/02; G03B 17/04; G03B 17/56; G03B 19/04; H04N 5/2251; H04N 5/2252; H04N 5/2253; H04N 5/2254; H04N 2101/00

See application file for complete search history.

(56) **References Cited**

**U.S. PATENT DOCUMENTS**

D424,086 S \* 5/2000 Choi ..... D16/203  
D470,875 S \* 2/2003 Liao ..... D16/202  
D475,385 S \* 6/2003 Christianson ..... D16/202

D505,439 S \* 5/2005 Liiv ..... D16/208  
D509,842 S \* 9/2005 Ou ..... D16/203  
D550,738 S \* 9/2007 Hsia ..... D16/203  
D565,070 S \* 3/2008 Kim et al. .... D16/202  
D604,352 S \* 11/2009 Carlesso ..... D16/245  
D606,573 S \* 12/2009 Testa et al. .... D16/218  
2013/0215322 A1 \* 8/2013 Haler ..... 348/373

\* cited by examiner

*Primary Examiner* — Adir Aronovich

*Assistant Examiner* — Ramzi Almatrahi

(74) *Attorney, Agent, or Firm* — HM Law Group LLP; Vani Moodley, Esq.

(57) **CLAIM**

The ornamental design of a panoramic video camera chassis, as shown and described.

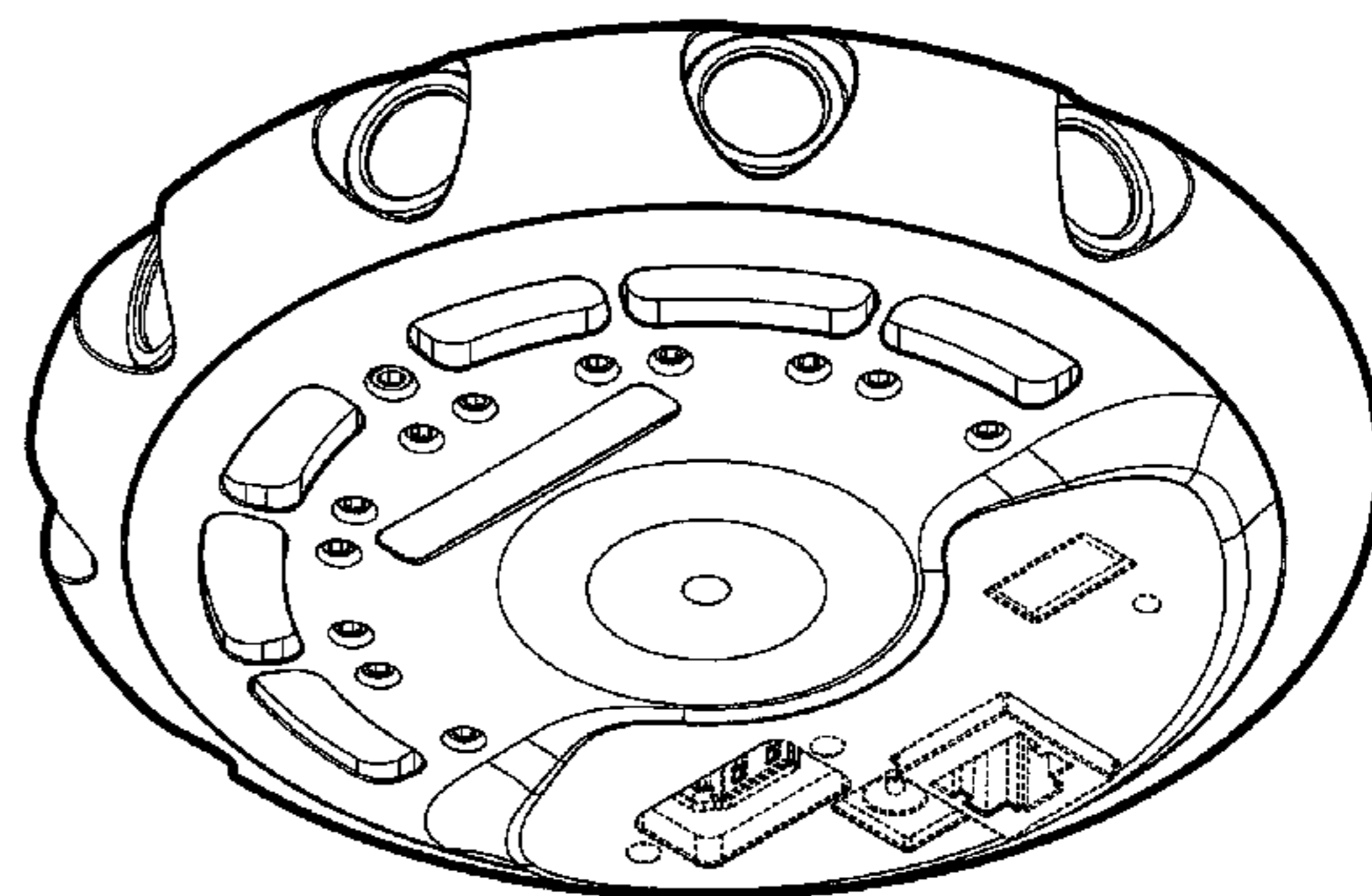
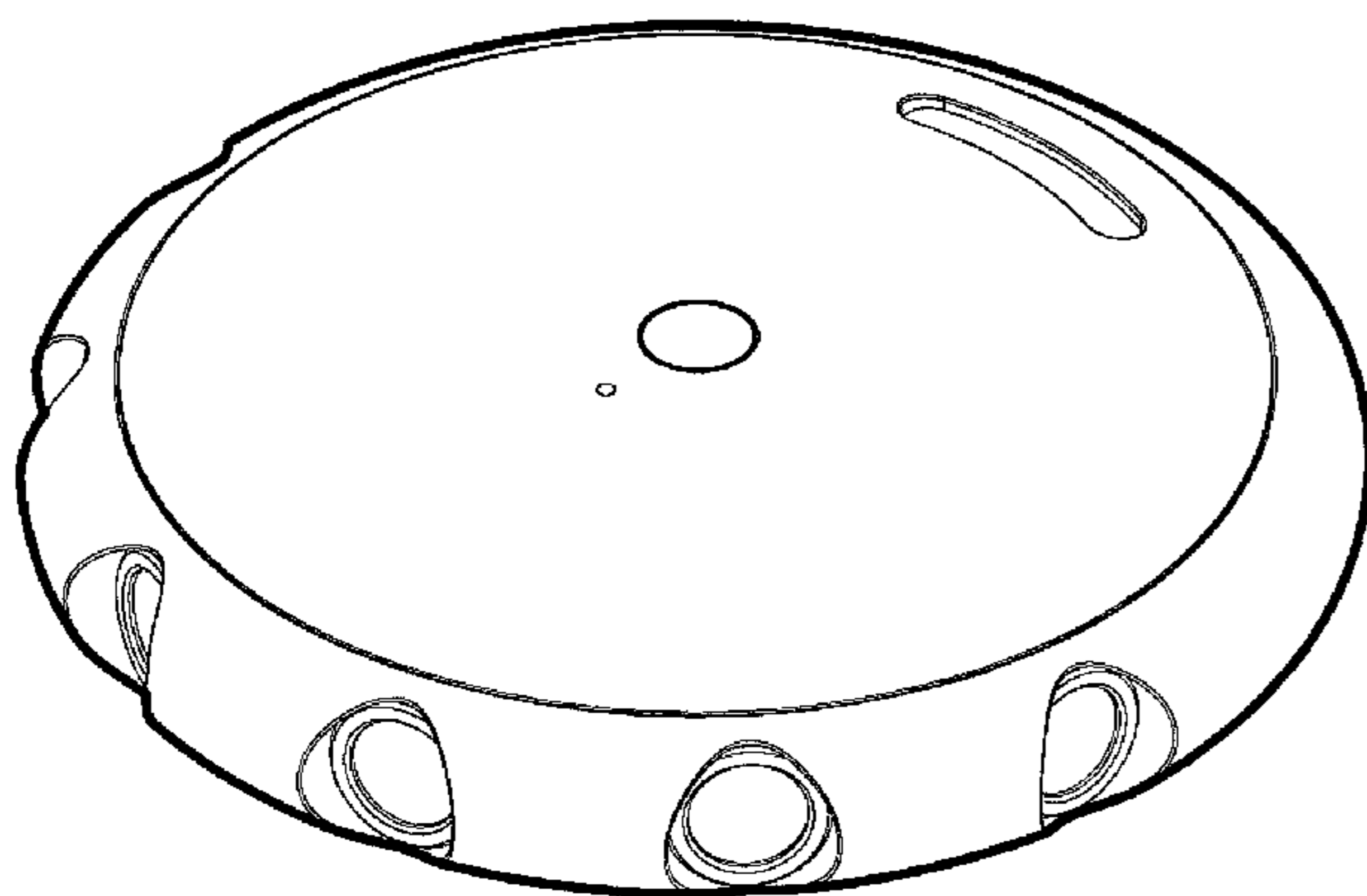
**DESCRIPTION**

FIG. 1 is a top, front and right side perspective view of a panoramic video camera chassis showing our new design; FIG. 2 is the perspective view showing bottom, front and right side of the panoramic video camera chassis; FIG. 3 is a front elevational view of the panoramic video camera chassis; FIG. 4 is a right side elevational view of the panoramic video camera chassis; FIG. 5 is a top plan view of the panoramic video camera chassis; and, FIG. 6 is a bottom plan view of the panoramic video camera chassis.

The undisclosed left side elevational view is a mirror image of the right side elevational view shown in FIG. 4.

The broken lines depict portions of a panoramic video camera chassis in which the design is embodied and form no part of the claimed design.

**1 Claim, 6 Drawing Sheets**



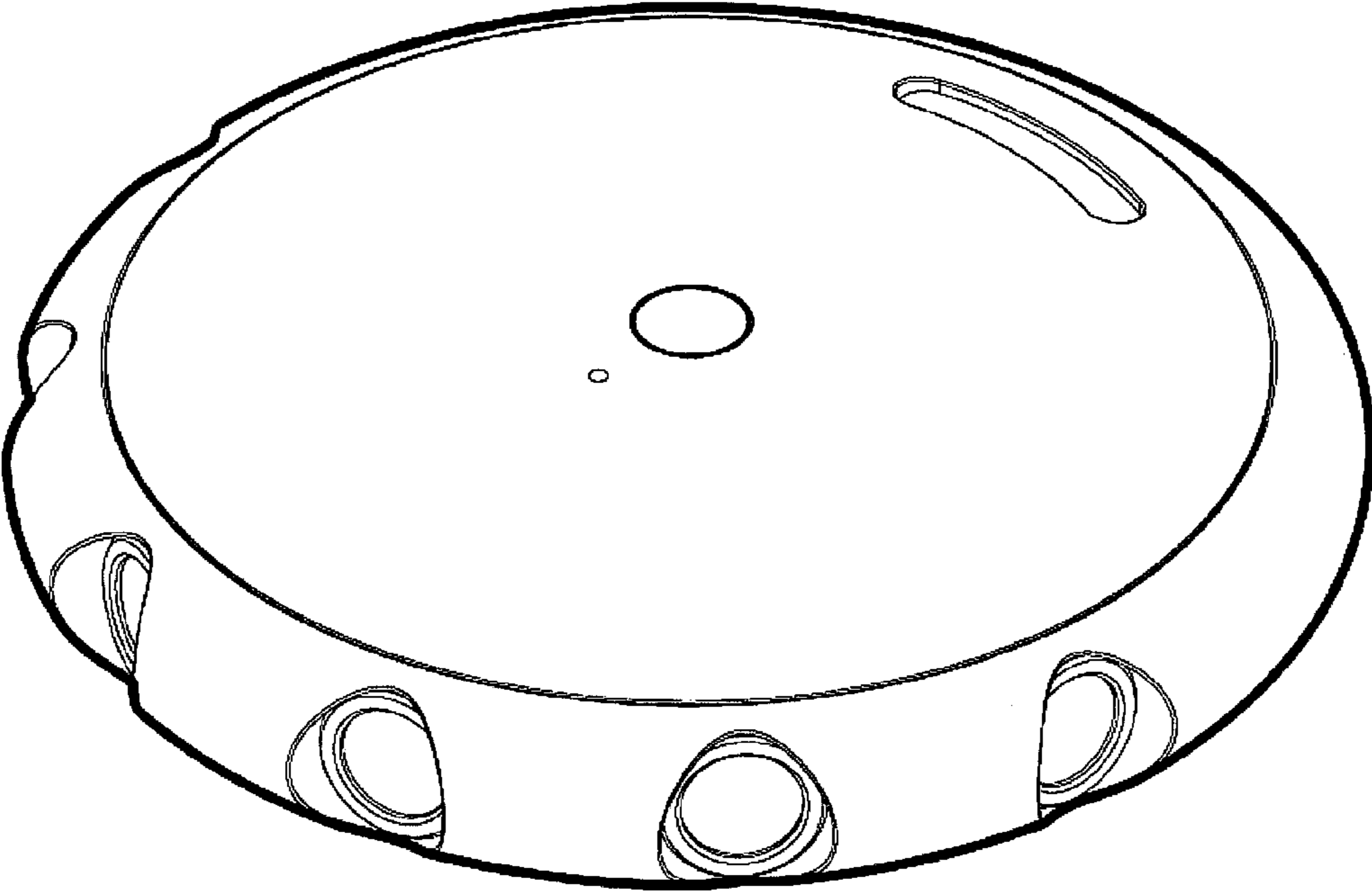


FIG. 1

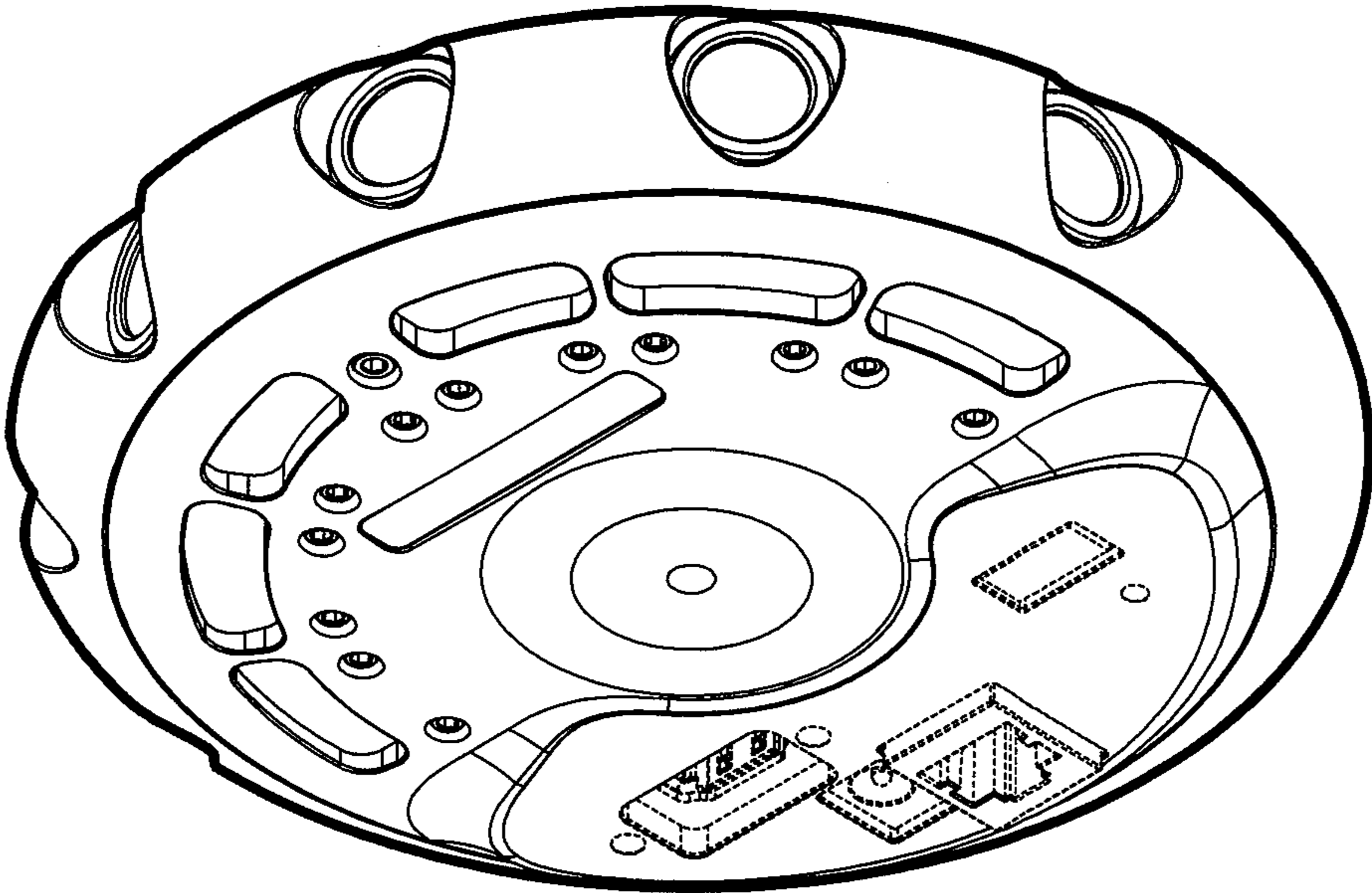
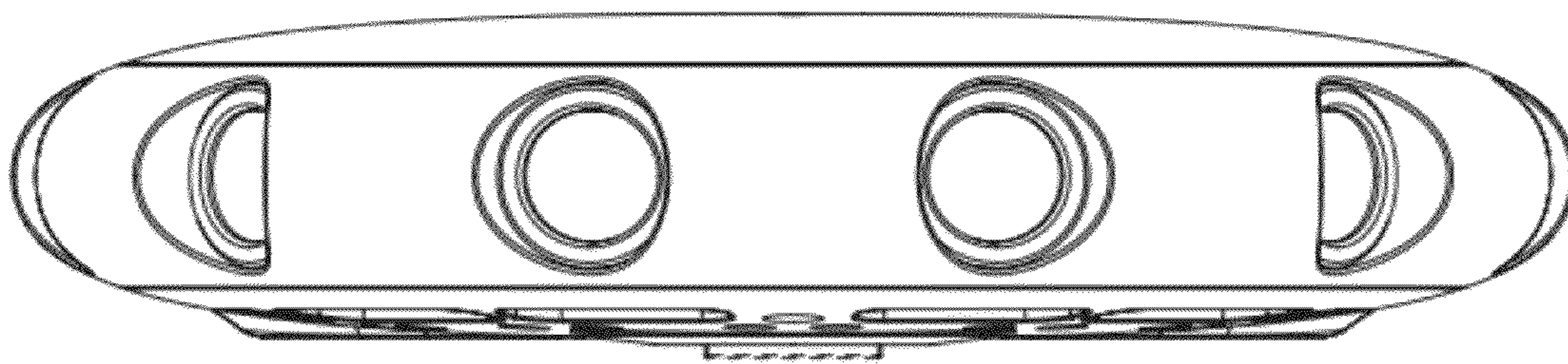


FIG. 2



*FIG. 3*

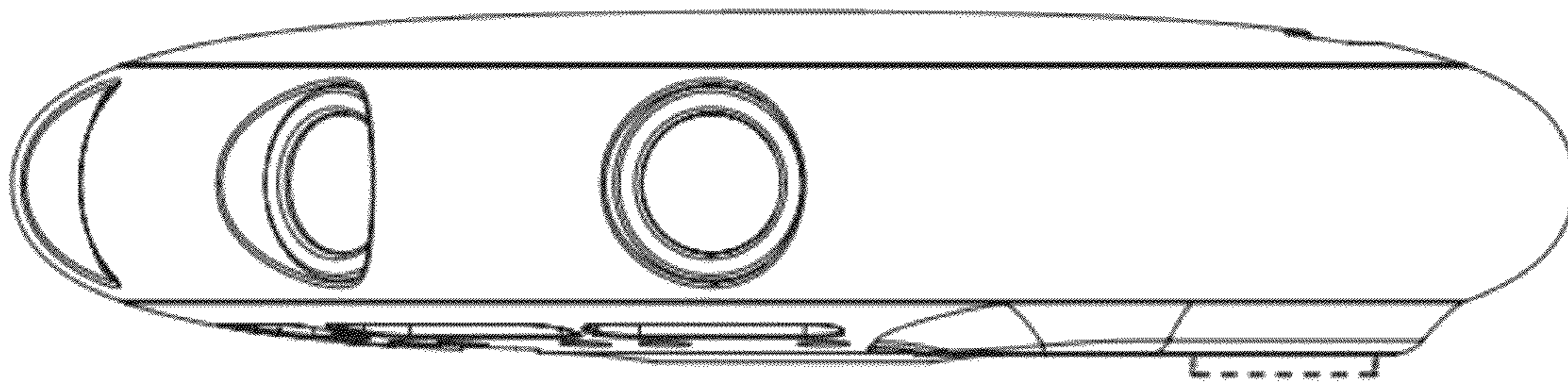


FIG. 4

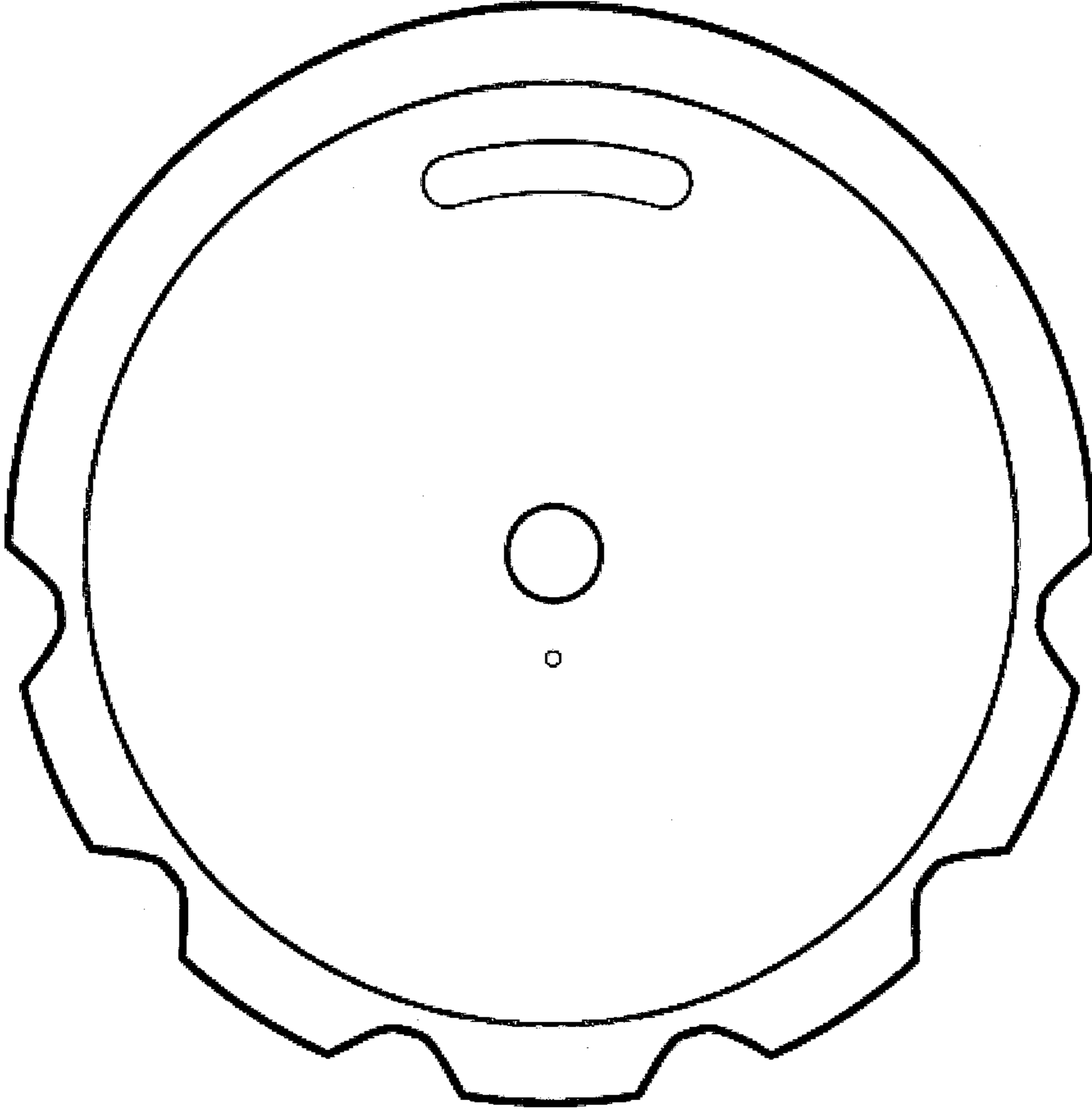


FIG. 5

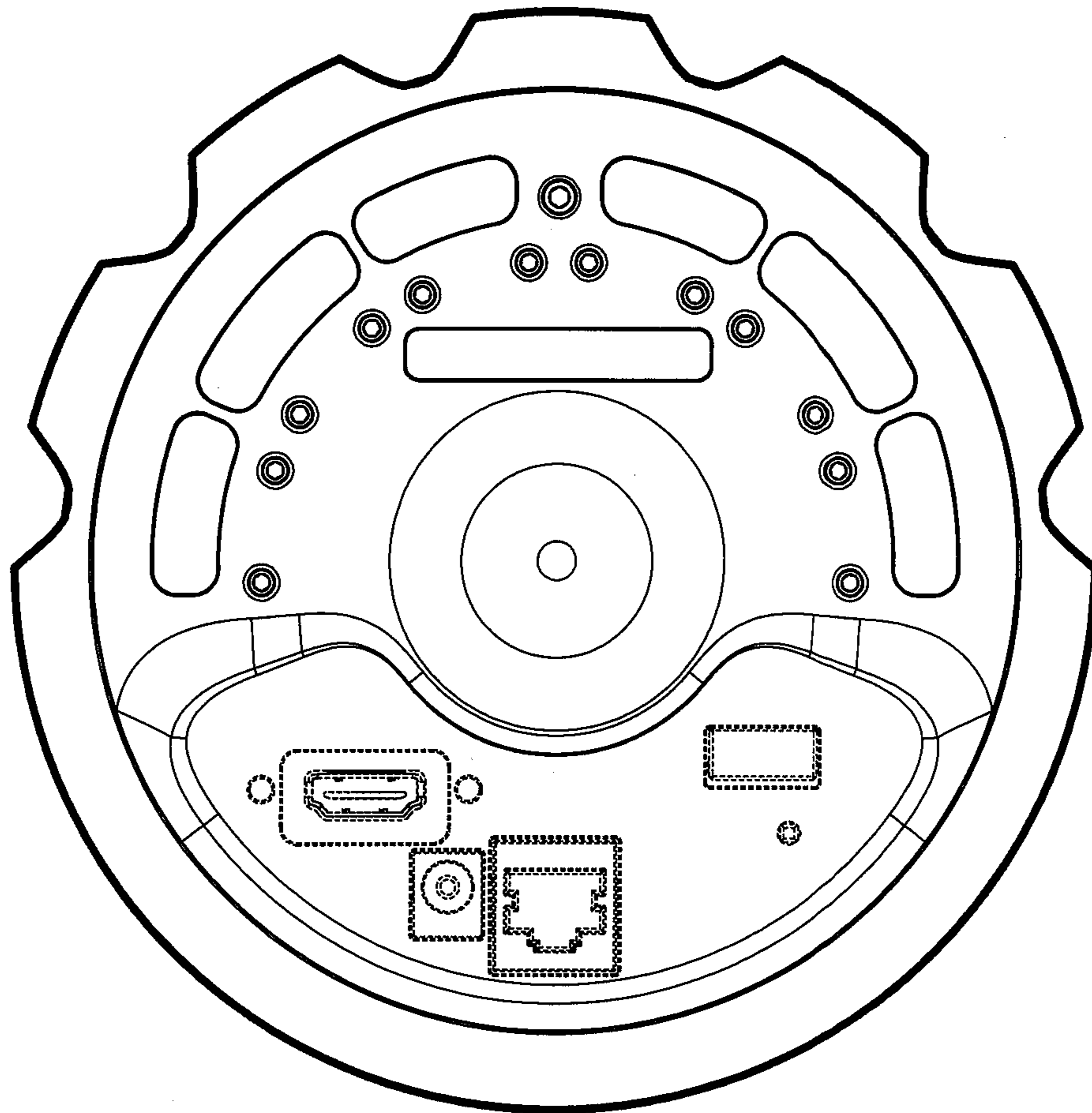


FIG. 6