

US00D734378S

(12) **United States Design Patent**
Tainaka

(10) **Patent No.:** **US D734,378 S**
(45) **Date of Patent:** **** Jul. 14, 2015**

(54) **DIGITAL CAMERA**

(71) Applicant: **OLYMPUS IMAGING CORP.**,
Shibuya-ku, Tokyo (JP)

(72) Inventor: **Daisuke Tainaka**, Hachioji (JP)

(73) Assignee: **OLYMPUS IMAGING CORP.**, Tokyo
(JP)

(**) Term: **14 Years**

(21) Appl. No.: **29/487,808**

(22) Filed: **Apr. 11, 2014**

(30) **Foreign Application Priority Data**

Jan. 27, 2014 (JP) 2014-001434

(51) **LOC (10) Cl.** **16-01**

(52) **U.S. Cl.**
USPC **D16/202**

(58) **Field of Classification Search**
USPC D16/200, 202, 204, 208, 211, 218, 219;
348/373-376; 358/909.1; 396/535-541
See application file for complete search history.

(56) **References Cited**

U.S. PATENT DOCUMENTS

6,727,954 B1 * 4/2004 Okada et al. 348/374
6,912,005 B2 * 6/2005 Senda 348/333.06

D529,257 S * 10/2006 Tanio D16/202
D570,889 S * 6/2008 Nakajima D16/202
D610,179 S * 2/2010 Tajima D16/202
D631,078 S * 1/2011 Nohara D16/202
D648,765 S * 11/2011 Tsukamoto D16/202
D665,003 S * 8/2012 Sakai D16/202
D680,149 S * 4/2013 Nakajima D16/219
D709,937 S * 7/2014 Goldenberg et al. D16/211

* cited by examiner

Primary Examiner — Adir Aronovich

(74) *Attorney, Agent, or Firm* — Holtz, Holtz, Goodman &
Chick PC

(57) **CLAIM**

The ornamental design for a digital camera, as shown and
described.

DESCRIPTION

FIG. 1 is a front, top and right side perspective view of a
digital camera showing my new design;
FIG. 2 is a front elevational view thereof;
FIG. 3 is a rear elevational view thereof, with a rotatable
display portion;
FIG. 4 is a top plan view thereof;
FIG. 5 is a bottom plan view thereof;
FIG. 6 is a right side elevational view thereof;
FIG. 7 is a left side elevational view thereof; and,
FIG. 8 is a rear and left side perspective view thereof, illus-
trating the display portion in a rotated position.

1 Claim, 6 Drawing Sheets

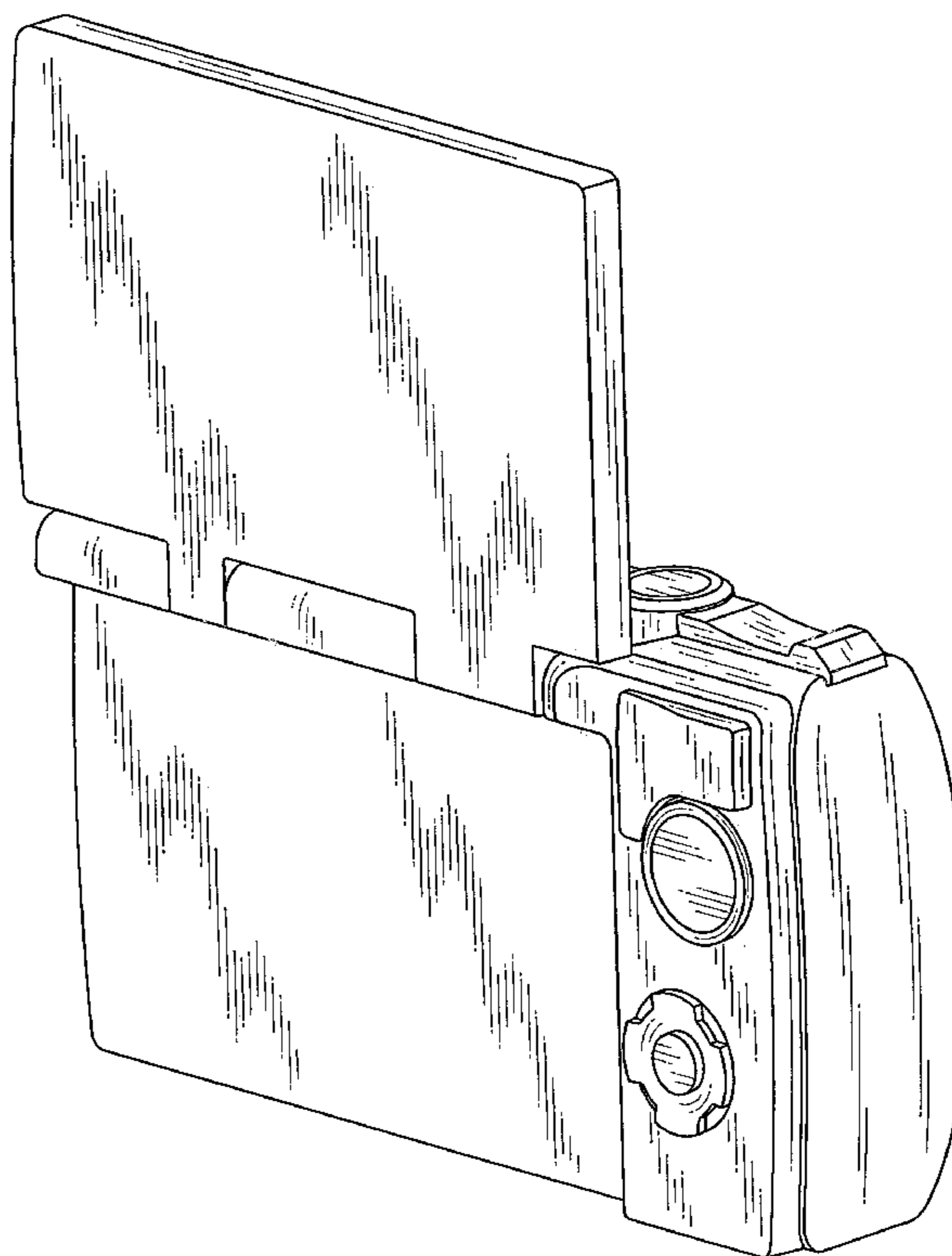
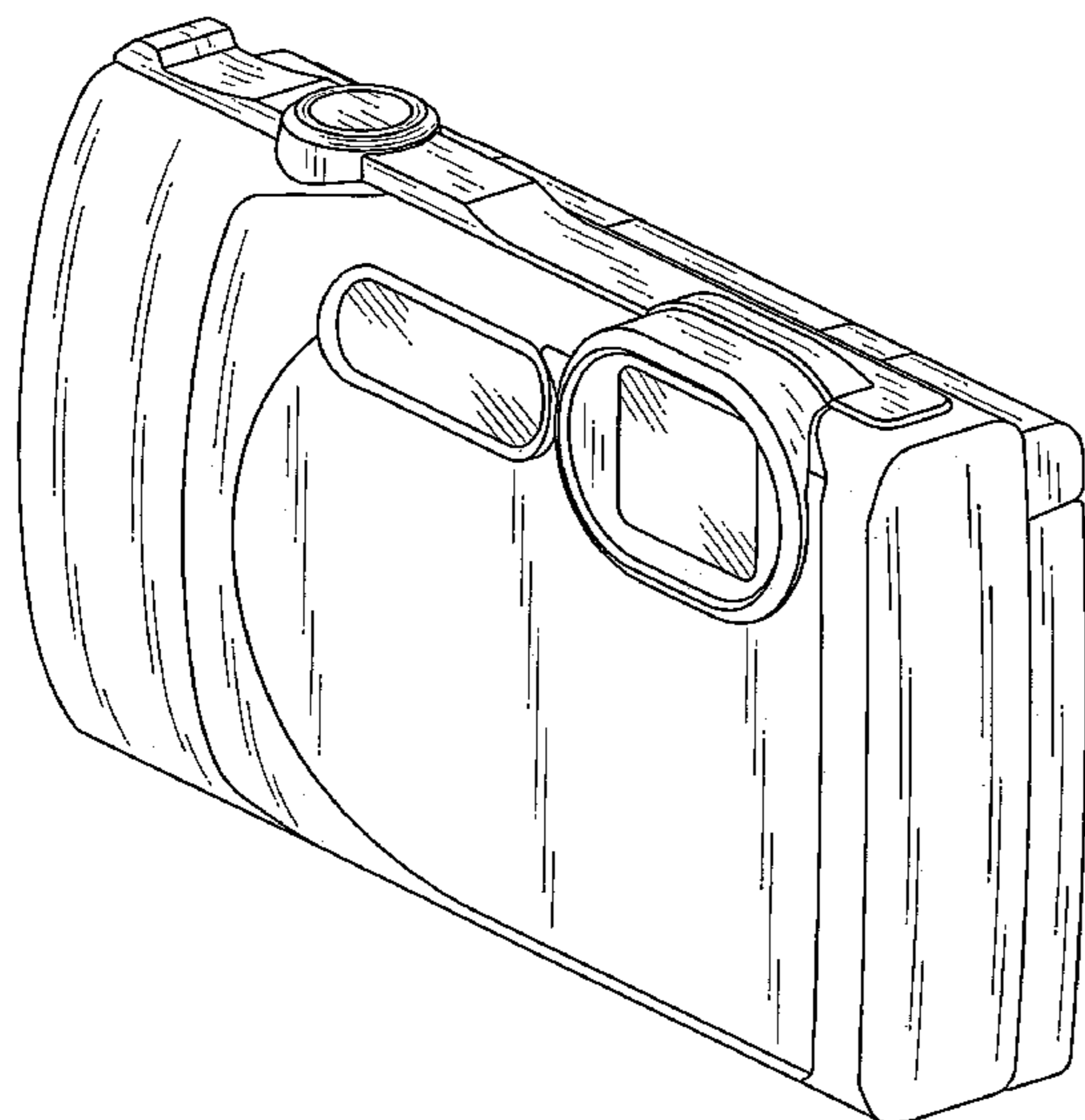


FIG.1

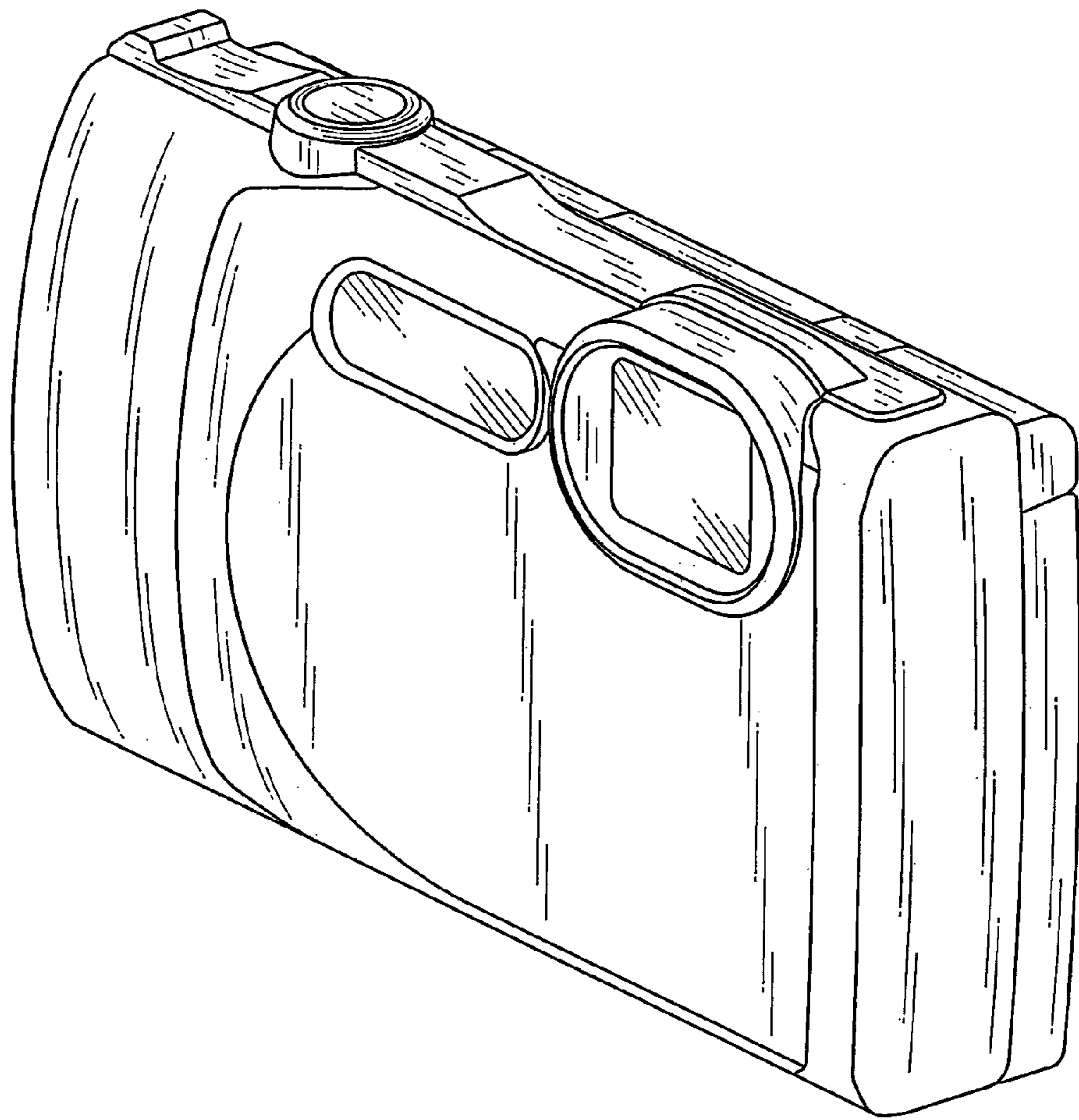


FIG.2

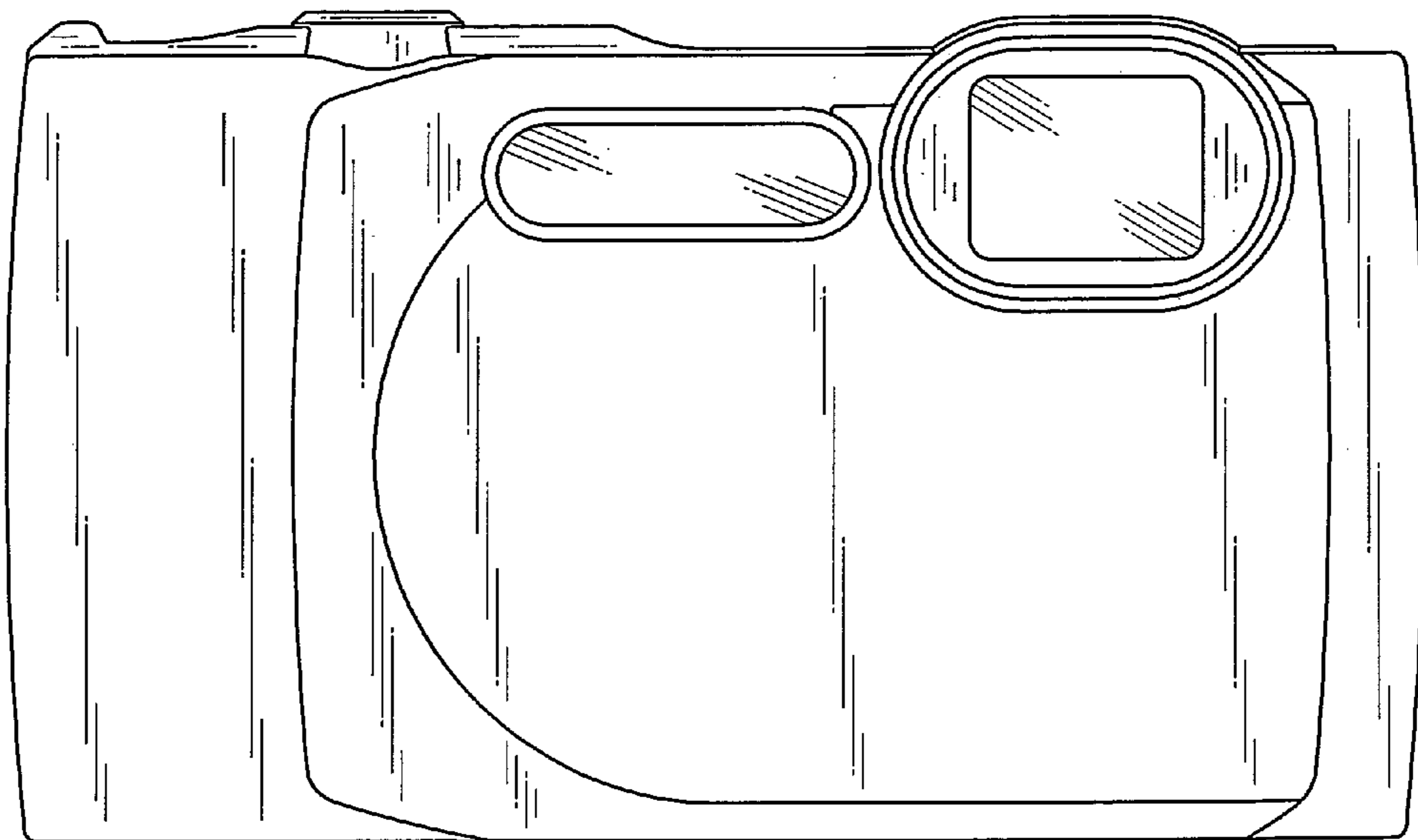


FIG.3

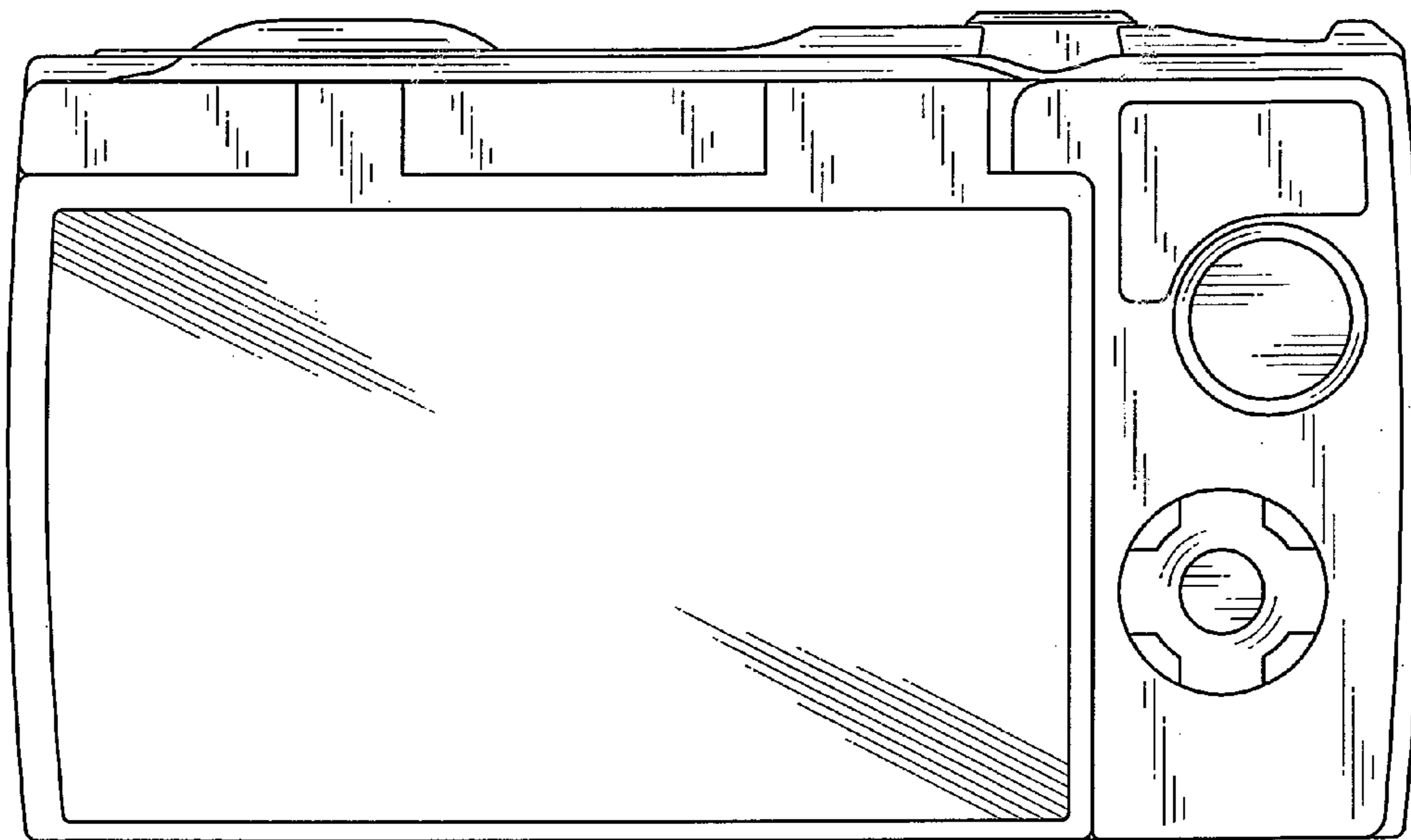


FIG.4

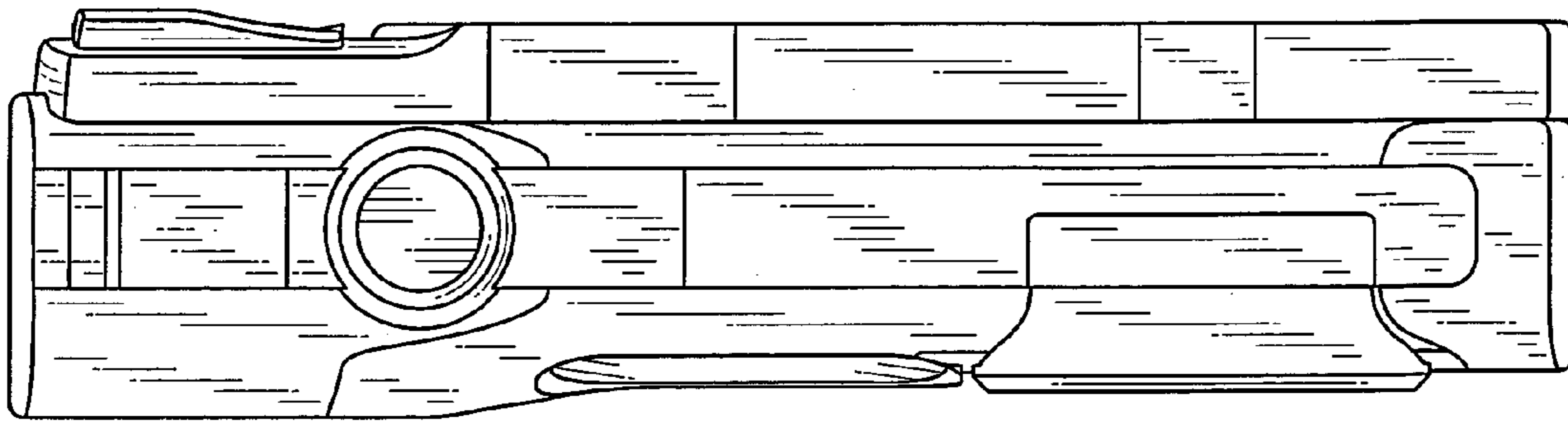


FIG.5

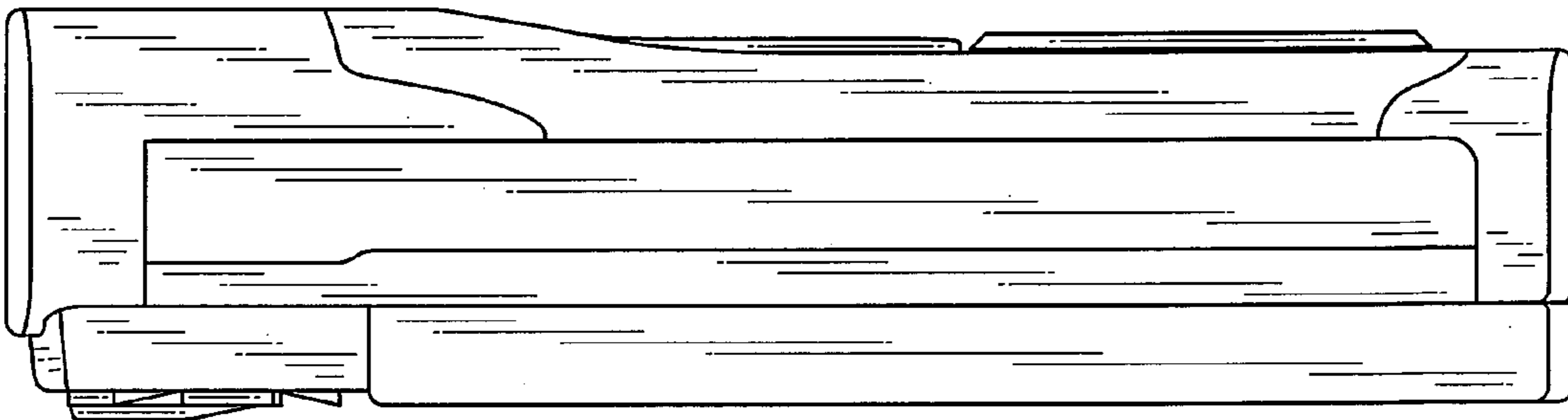


FIG.6

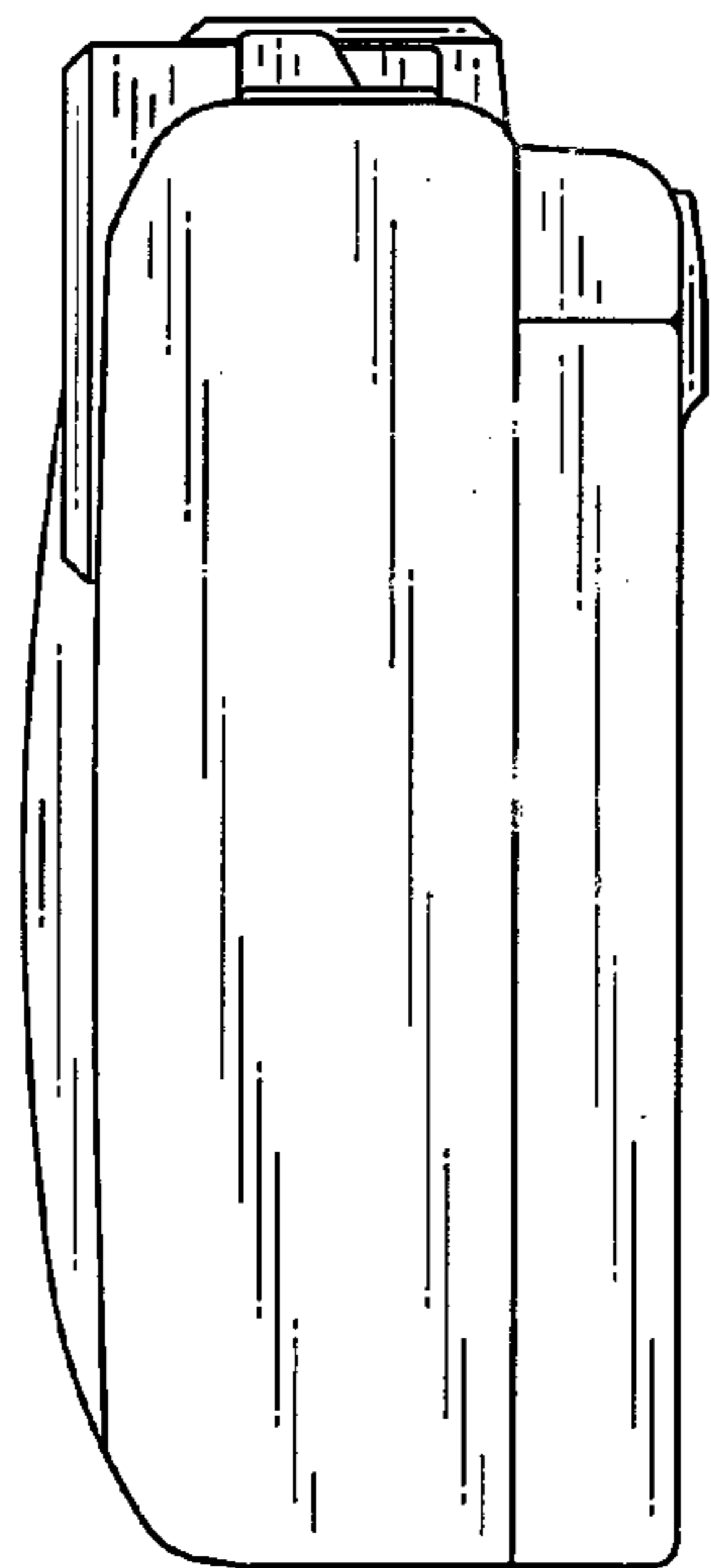


FIG.7

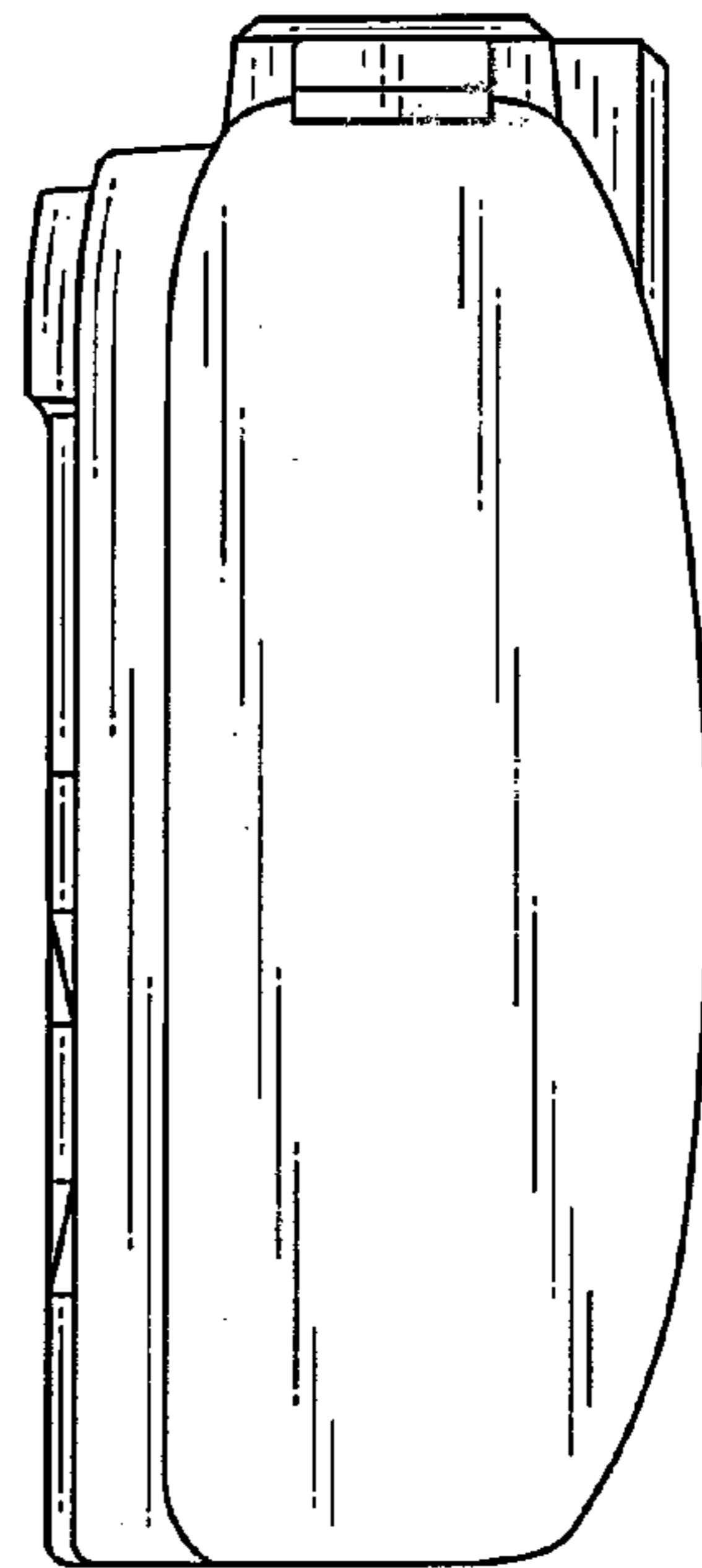


FIG.8

