

US00D734370S

(12) **United States Design Patent**
Dehnke et al.

(10) **Patent No.:** **US D734,370 S**
(45) **Date of Patent:** **** Jul. 14, 2015**

- (54) **SCRAPER PUSH BLOCK**
- (71) Applicant: **Deere & Company**, Moline, IL (US)
- (72) Inventors: **Jason R Dehnke**, Thibodaux, LA (US);
Brian A Rodrigue, Thibodaux, LA (US);
Mathew J Zeringue, Thibodaux, LA (US);
Chad M Webre, Thibodaux, LA (US);
Charles M Verdin, Thibodaux, LA (US)
- (73) Assignee: **DEERE & COMPANY**, Moline, IL (US)

D272,070	S	*	1/1984	Larsson	D15/28
D272,250	S	*	1/1984	Larsson	D15/28
D284,577	S	*	7/1986	DuBose	D15/28
D284,669	S	*	7/1986	Clark et al.	D15/33
D284,767	S	*	7/1986	Clark et al.	D15/33
D289,653	S	*	5/1987	Hamatani	D15/28
D298,018	S	*	10/1988	Cartwright	D12/3
D313,419	S	*	1/1991	Edmisson	D15/28
D313,999	S	*	1/1991	Conti	D15/21
D579,955	S	*	11/2008	Sewell et al.	D15/22
D580,300	S	*	11/2008	Bryant et al.	D12/15
D686,642	S	*	7/2013	Urase et al.	D15/28
D707,731	S	*	6/2014	Healey et al.	D15/32
2009/0146119	A1	*	6/2009	Bailey et al.	254/323

* cited by examiner

(**) Term: **14 Years**

Primary Examiner — Cynthia Ramirez

(21) Appl. No.: **29/482,171**

(22) Filed: **Feb. 14, 2014**

(51) **LOC (10) Cl.** **02-09**

(52) **U.S. Cl.**
USPC **D15/32**

(58) **Field of Classification Search**
USPC D15/10, 11, 13, 27, 28, 32, 33, 21, 22;
172/789, 776, 788, 791, 796, 797;
280/406.1; 298/17 R, 22 P
CPC E02D 7/08; E02D 7/14
See application file for complete search history.

(56) **References Cited**

U.S. PATENT DOCUMENTS

2,774,155	A	*	12/1956	Hipp	172/145
3,234,669	A	*	2/1966	Kachnik et al.	172/445.2
D216,874	S	*	3/1970	Cline	D15/32
D218,516	S	*	8/1970	Lesniewski et al.	D15/32
D251,846	S	*	5/1979	Martin et al.	D15/28
D272,069	S	*	1/1984	Larsson	D15/28

(57) **CLAIM**

The ornamental design for a scraper push block, as shown and described.

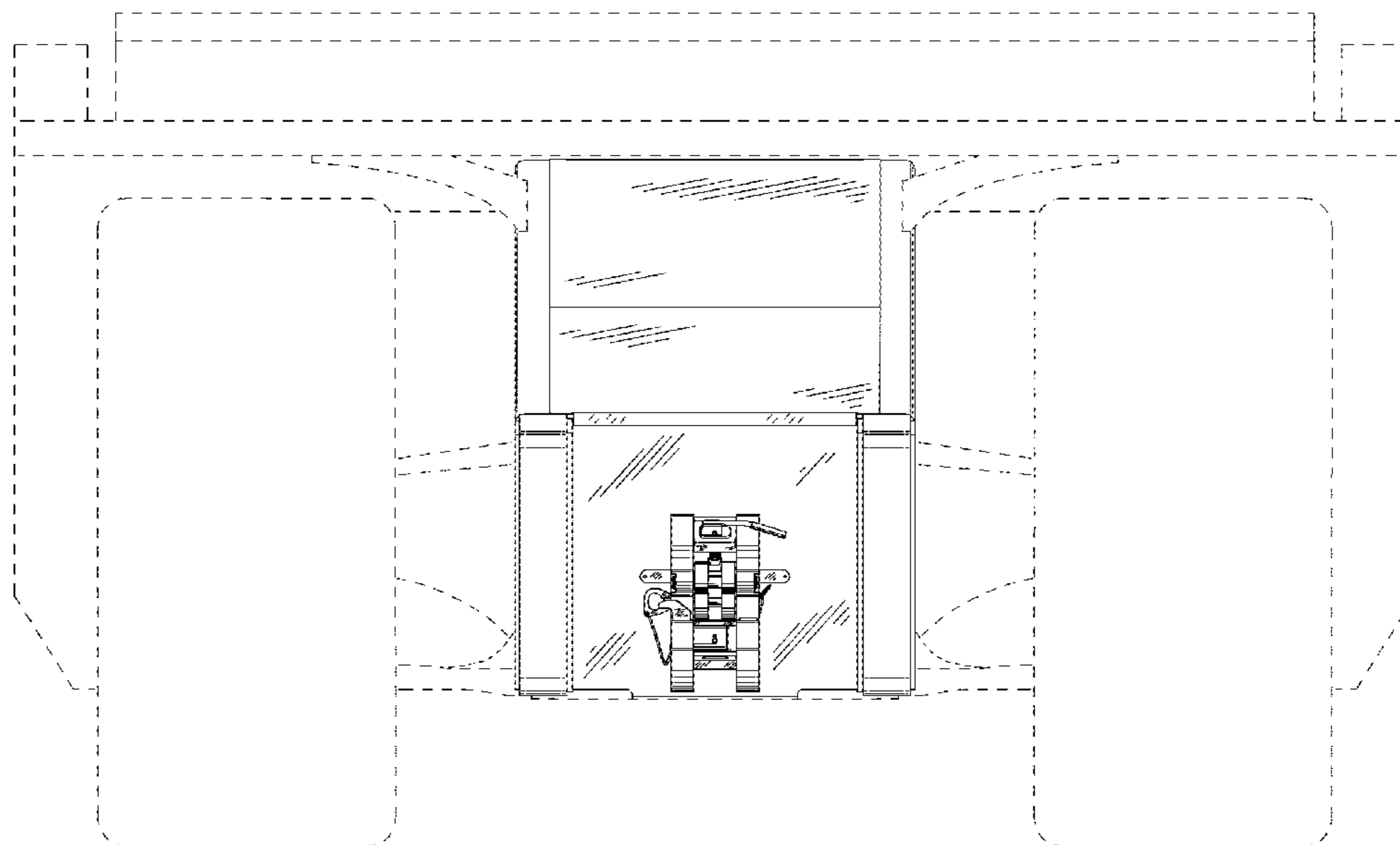
DESCRIPTION

FIG. 1 is a rear view of a scraper push block of the present invention.

FIG. 2 is a right side, rear perspective view of a scraper push block of FIG. 1 with partially sectioned environment; and, FIG. 3 is a top view of a scraper push block of FIG. 1 with partially sectioned environment.

The ornamental design which is claimed is shown in solid lines in the drawings. The portions of the design shown in broken lines are included for the purpose of illustrating environment and form no part of the claimed design. The portions of the design shown in broken lines having unequal segments illustrate the boundary of the claimed design and form no part of the claimed design.

1 Claim, 3 Drawing Sheets



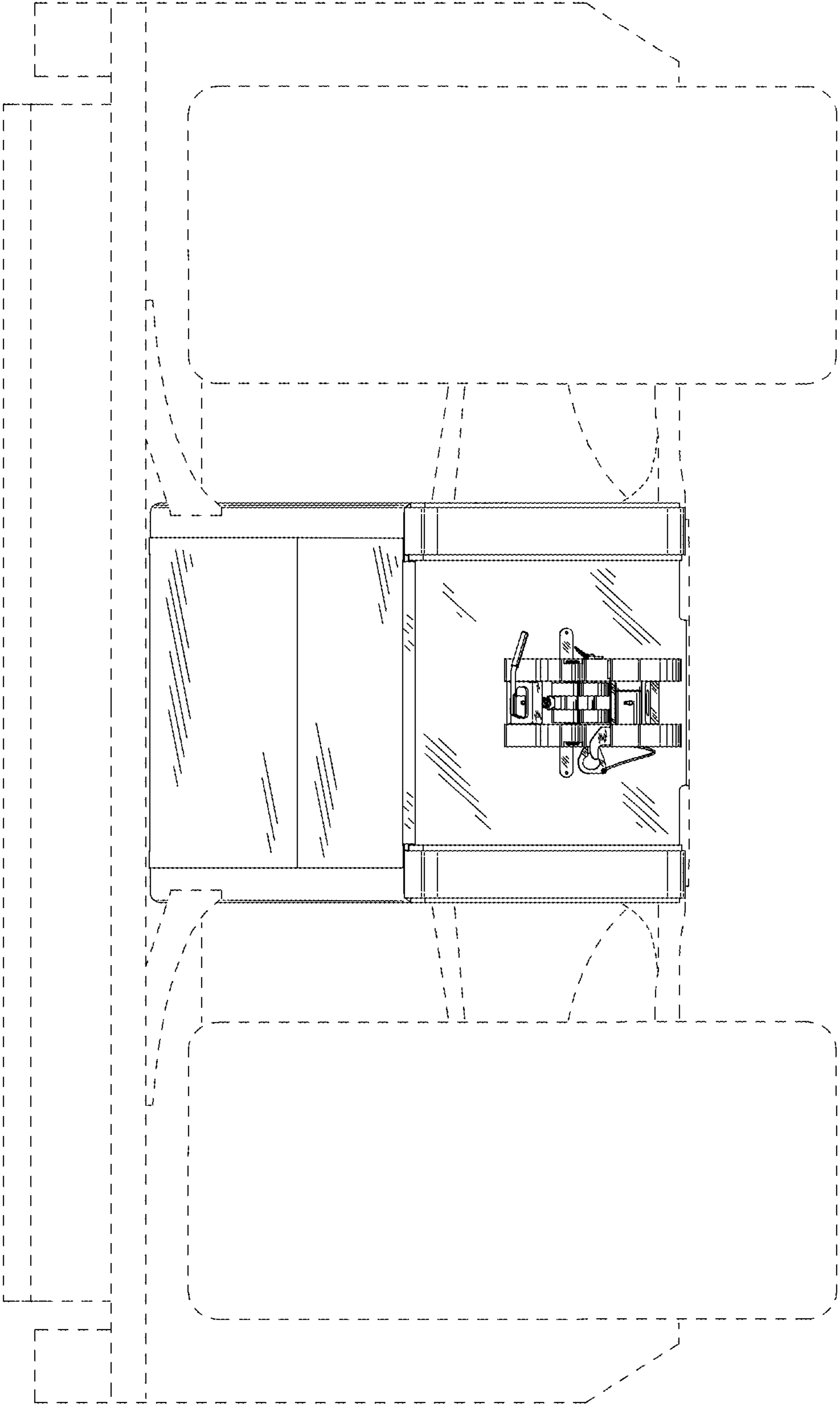


FIG. 1

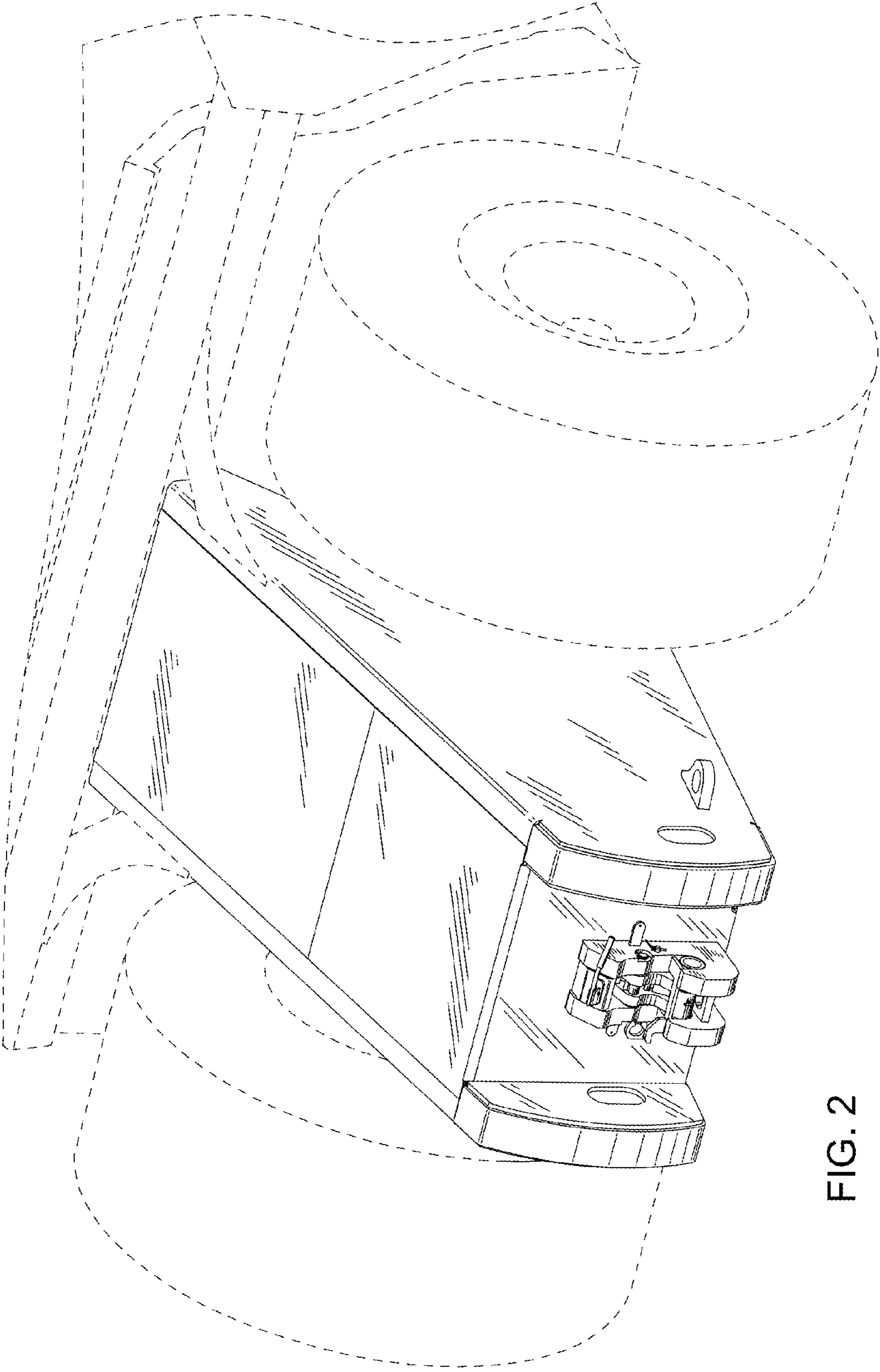


FIG. 2

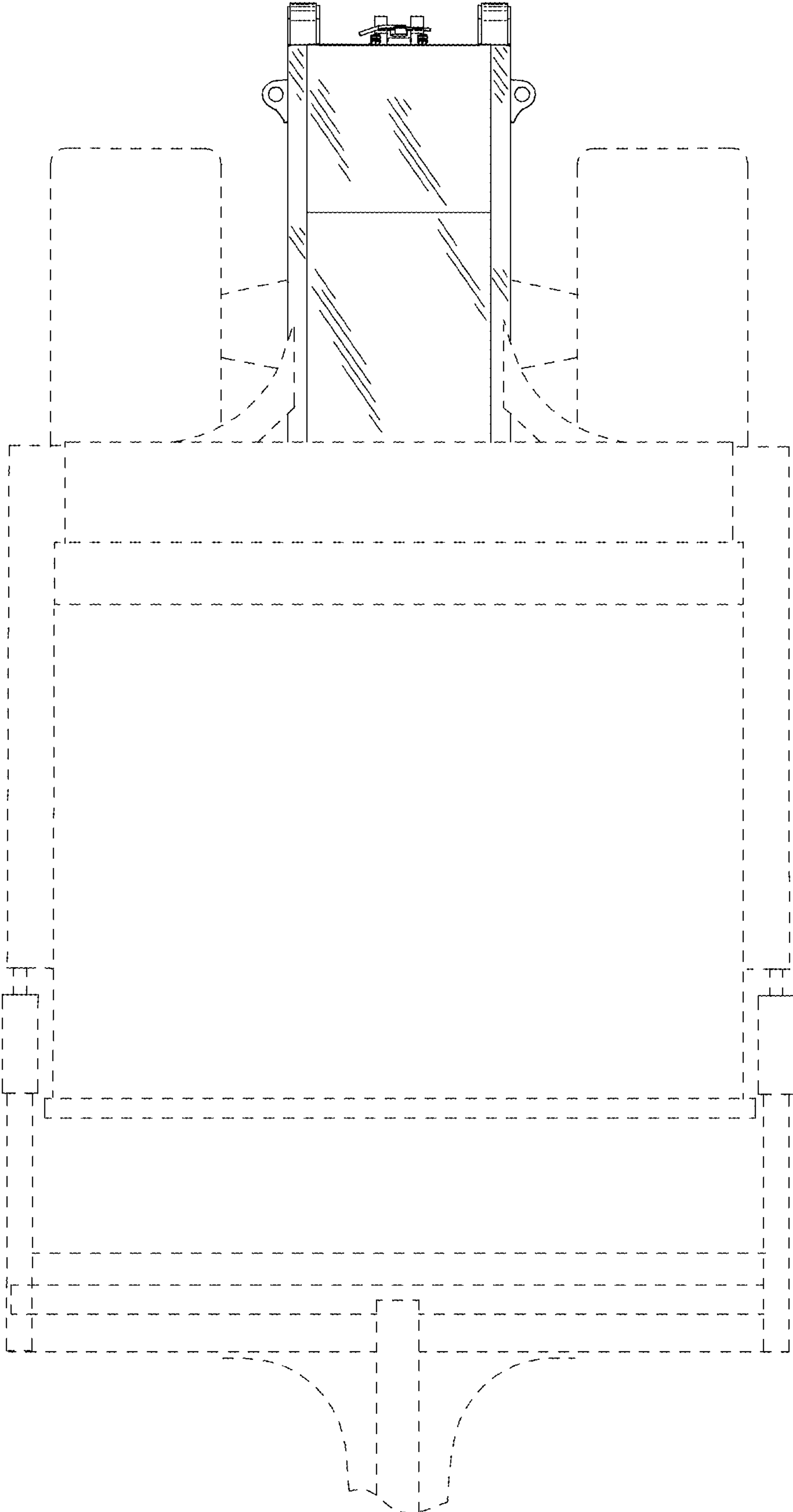


FIG. 3