

US00D734366S

(12) **United States Design Patent**
Höglund et al.

(10) **Patent No.:** **US D734,366 S**
(45) **Date of Patent:** **** Jul. 14, 2015**

(54) **PUMP HEAD**

(71) Applicant: **W-M Alitea AB**, Stockholm (SE)
(72) Inventors: **Niklas Höglund**, Satlsjö-Boo (SE);
Jonas Hersgren, Älta (SE)
(73) Assignee: **W-M Alitea AB**, Stockholm (SE)
(**) Term: **14 Years**
(21) Appl. No.: **29/504,984**
(22) Filed: **Oct. 10, 2014**

(30) **Foreign Application Priority Data**

Apr. 11, 2014 (EM) 002446179
(51) **LOC (10) Cl.** **15-02**
(52) **U.S. Cl.**
USPC **D15/7**
(58) **Field of Classification Search**
USPC D15/7-9; D23/231, 232, 225; 417/60,
417/235, 265, 321, 355, 358, 363, 359,
417/410.1, 415-416, 405, 900; 60/408,
60/412; 184/26-37; 415/140-147;
123/495, 509; 137/565.34
CPC F02M 37/04; F02M 37/14
See application file for complete search history.

(56) **References Cited**

U.S. PATENT DOCUMENTS

D236,163	S	*	7/1975	Manno	D24/111
D303,533	S	*	9/1989	Eberhardt et al.	D15/7
D406,268	S	*	3/1999	Lamond et al.	D15/7
D470,864	S	*	2/2003	Shibukawa et al.	D15/7
D480,402	S	*	10/2003	Wilson et al.	D15/7
D504,900	S	*	5/2005	Wang	D15/7
D505,429	S	*	5/2005	Wang	D15/7
D518,490	S	*	4/2006	Pirzada	D15/7
D618,705	S	*	6/2010	Sadachika	D15/7
D635,588	S	*	4/2011	Sprules	D15/7
D703,241	S	*	4/2014	Eckhardt et al.	D15/9
D710,901	S	*	8/2014	Brokenshire et al.	D15/7

* cited by examiner

Primary Examiner — Ralf Seifert

(74) *Attorney, Agent, or Firm* — Banner & Witcoff, Ltd.

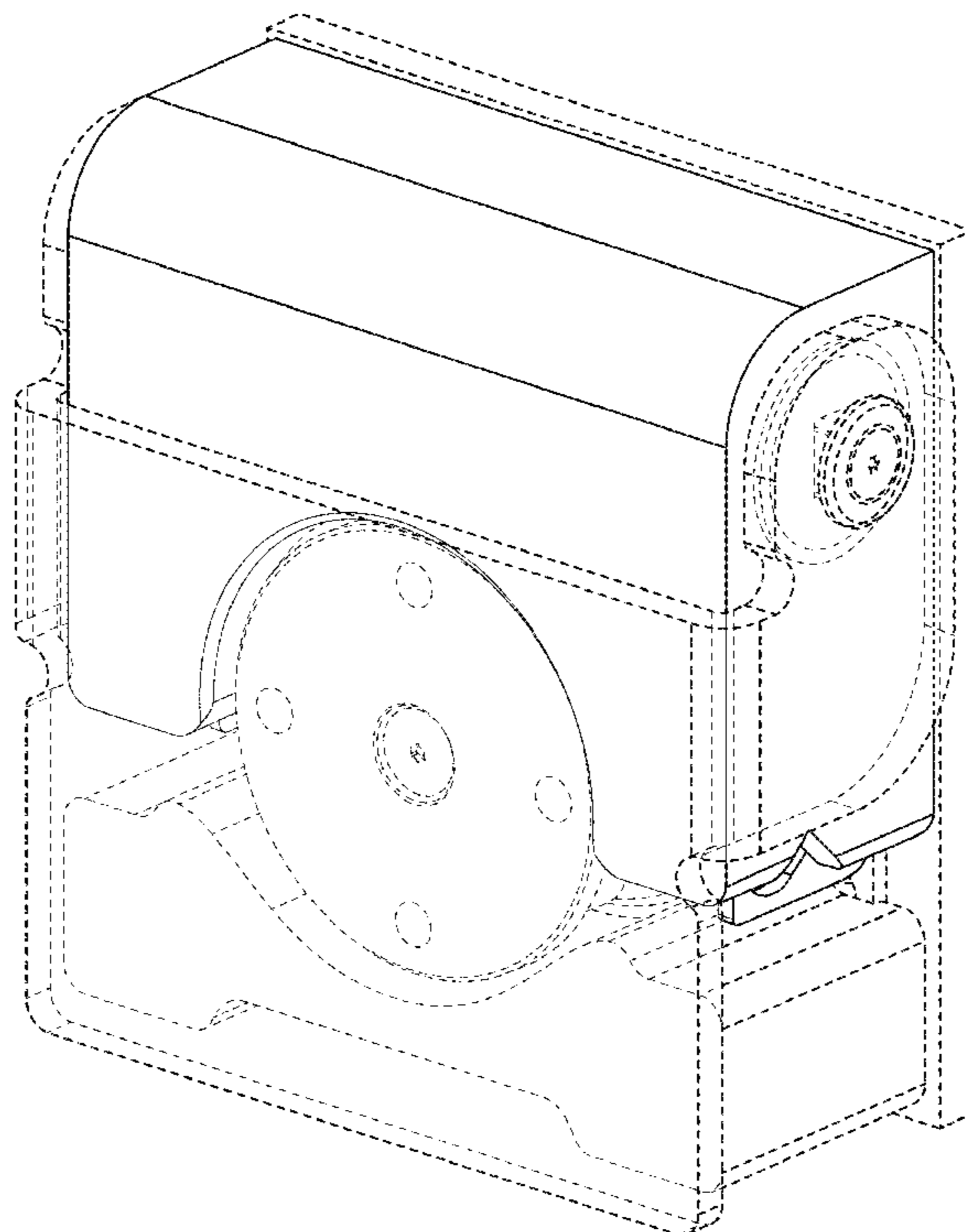
(57) **CLAIM**

The ornamental design for a pump head, as shown and described.

DESCRIPTION

FIG. 1 is a top, front, right perspective view of a pump head showing our new design;
FIG. 2 is a front view thereof;
FIG. 3 is a left side view thereof;
FIG. 4 is a right side view thereof; and,
FIG. 5 is a top view thereof.
The broken lines showing the remainder of the pump head are for environmental purposes only and form no part of the claimed design.

1 Claim, 5 Drawing Sheets



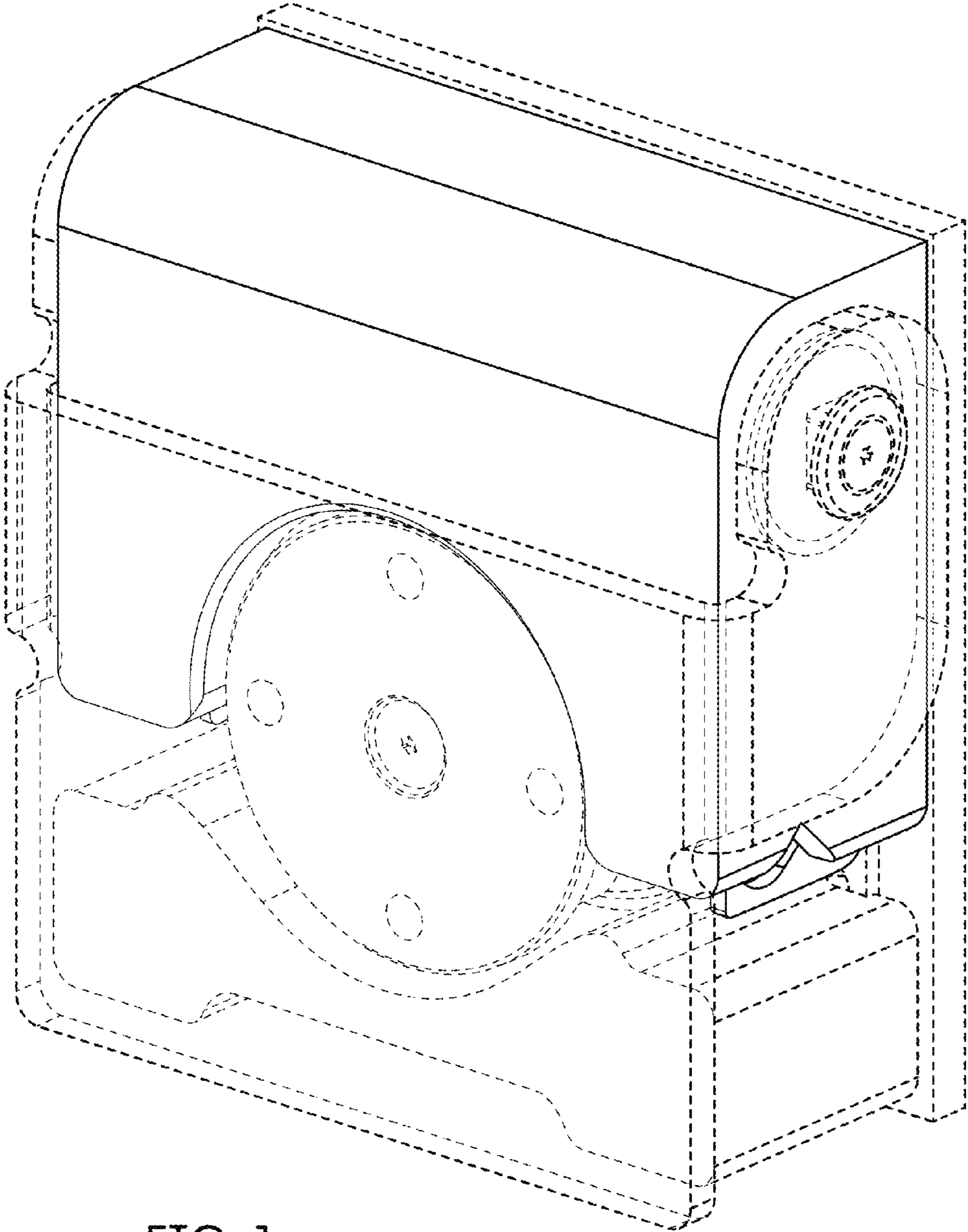


FIG. 1

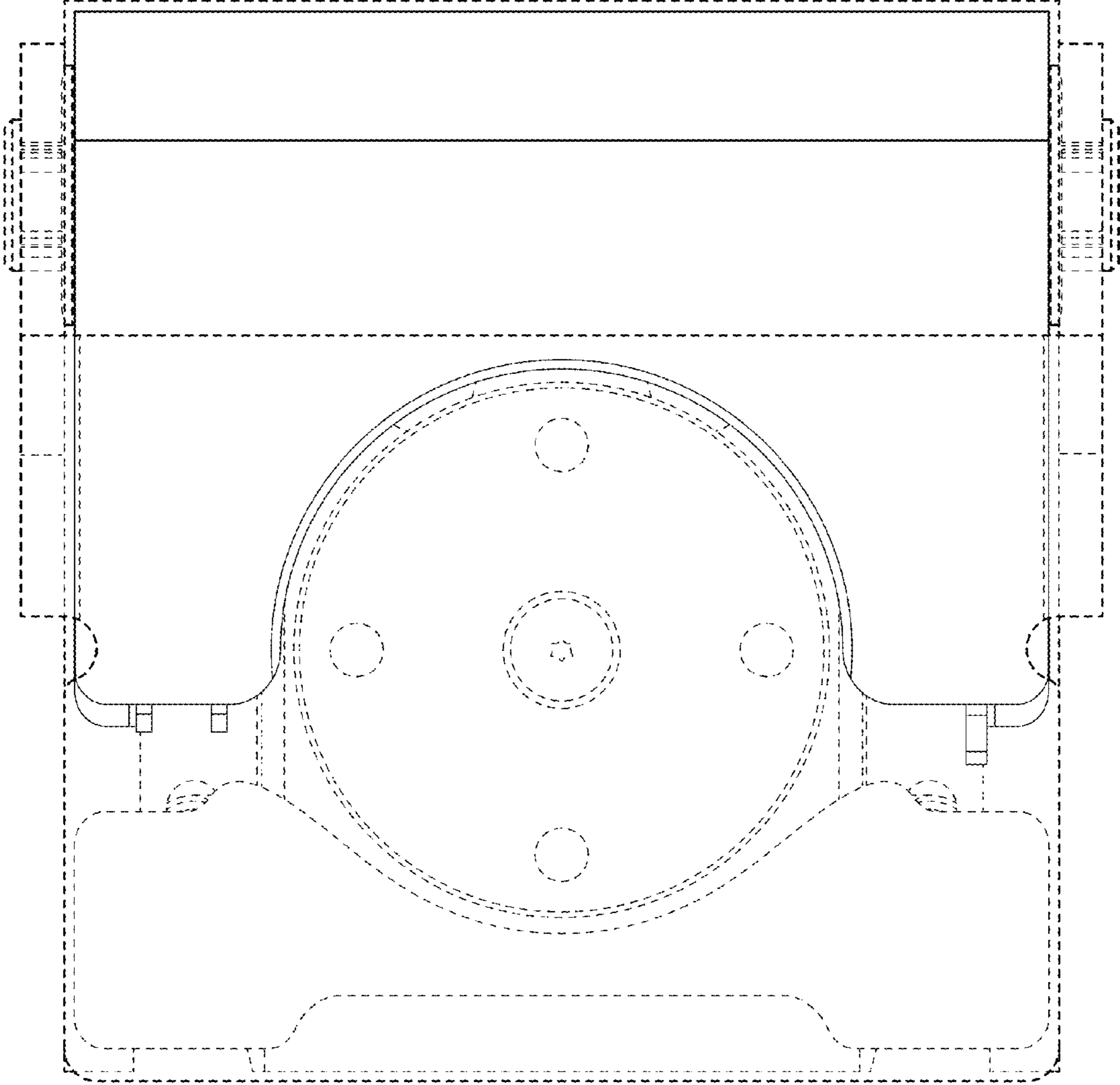


FIG. 2

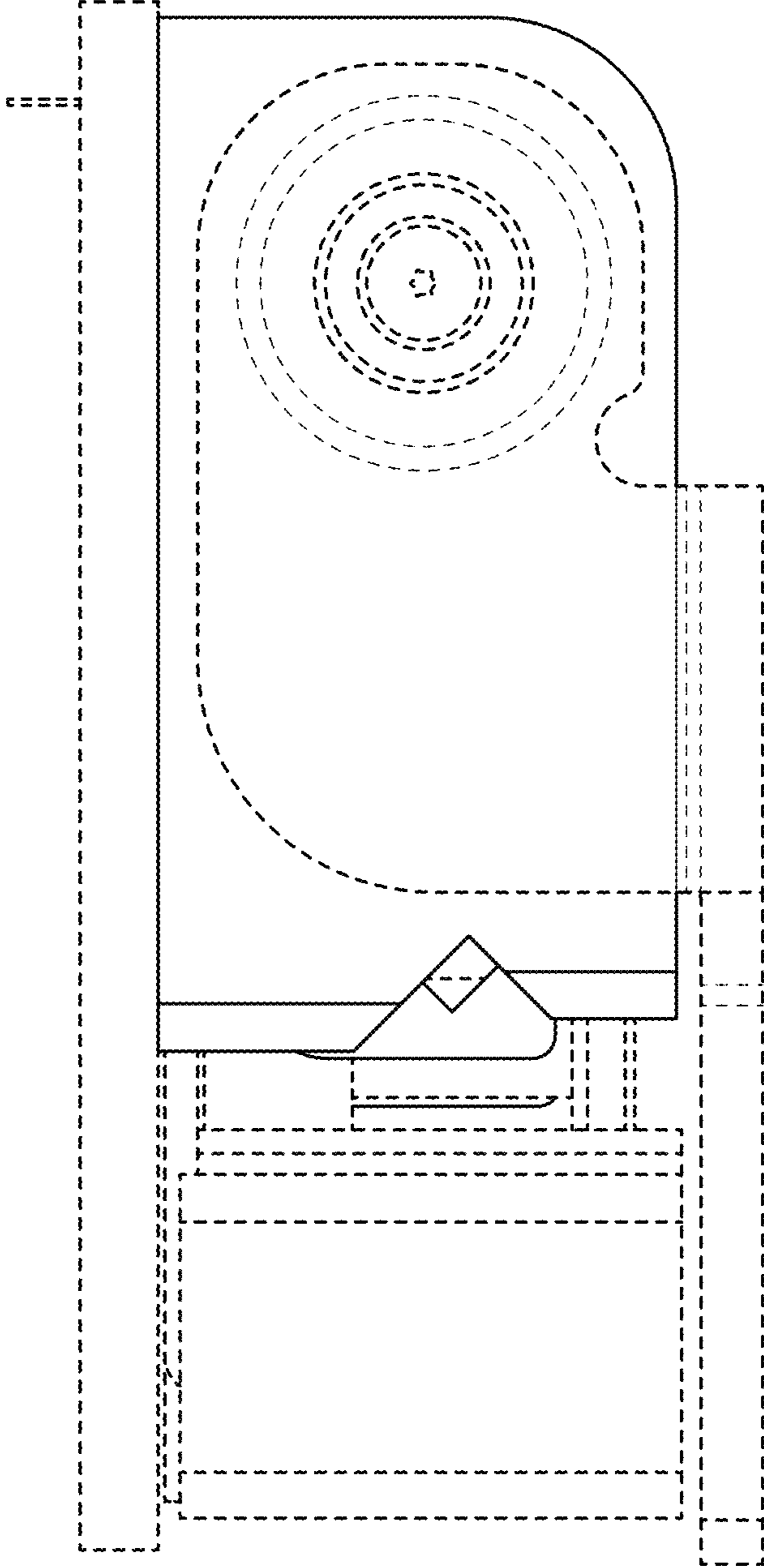


FIG. 3

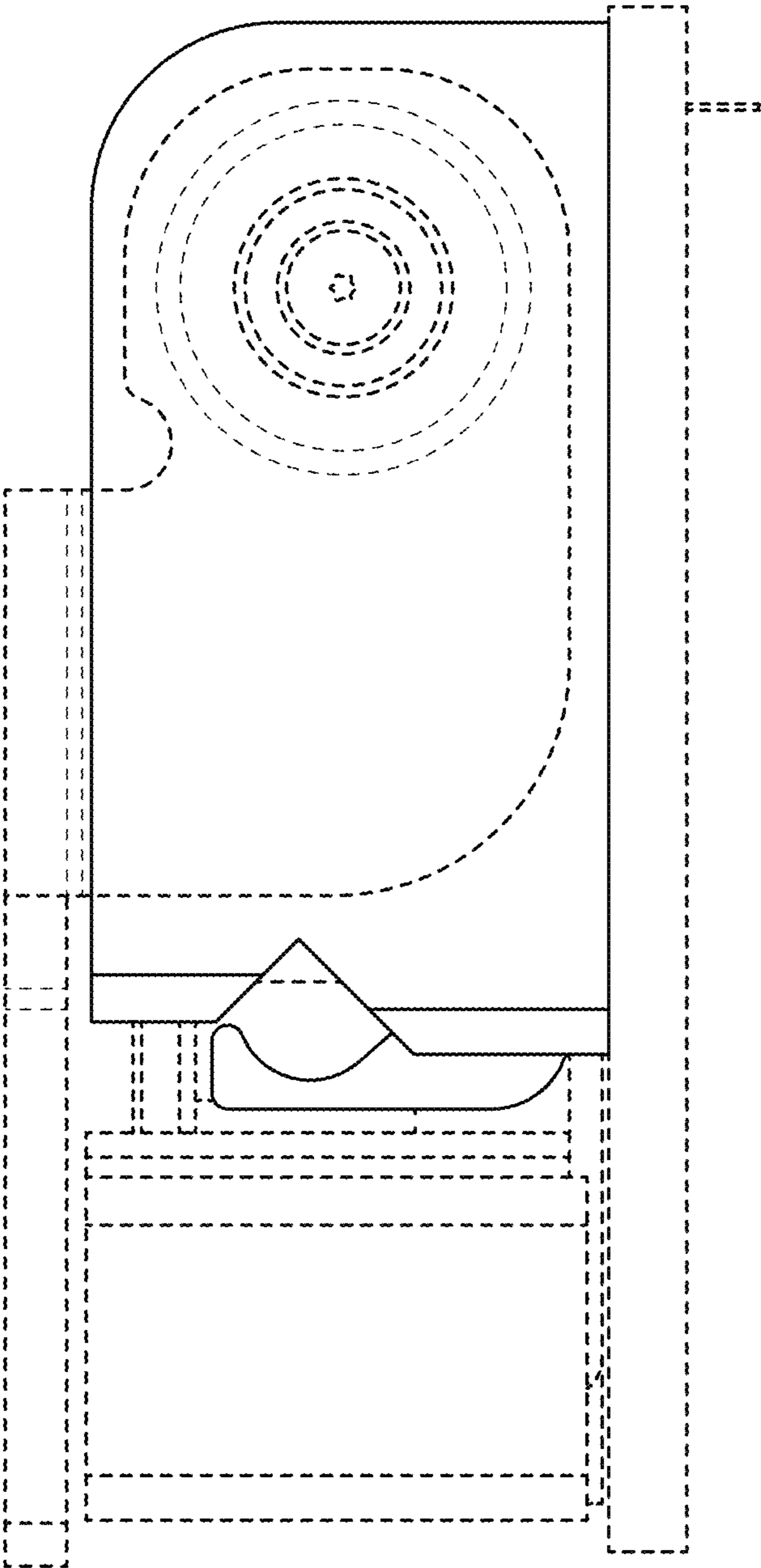


FIG. 4

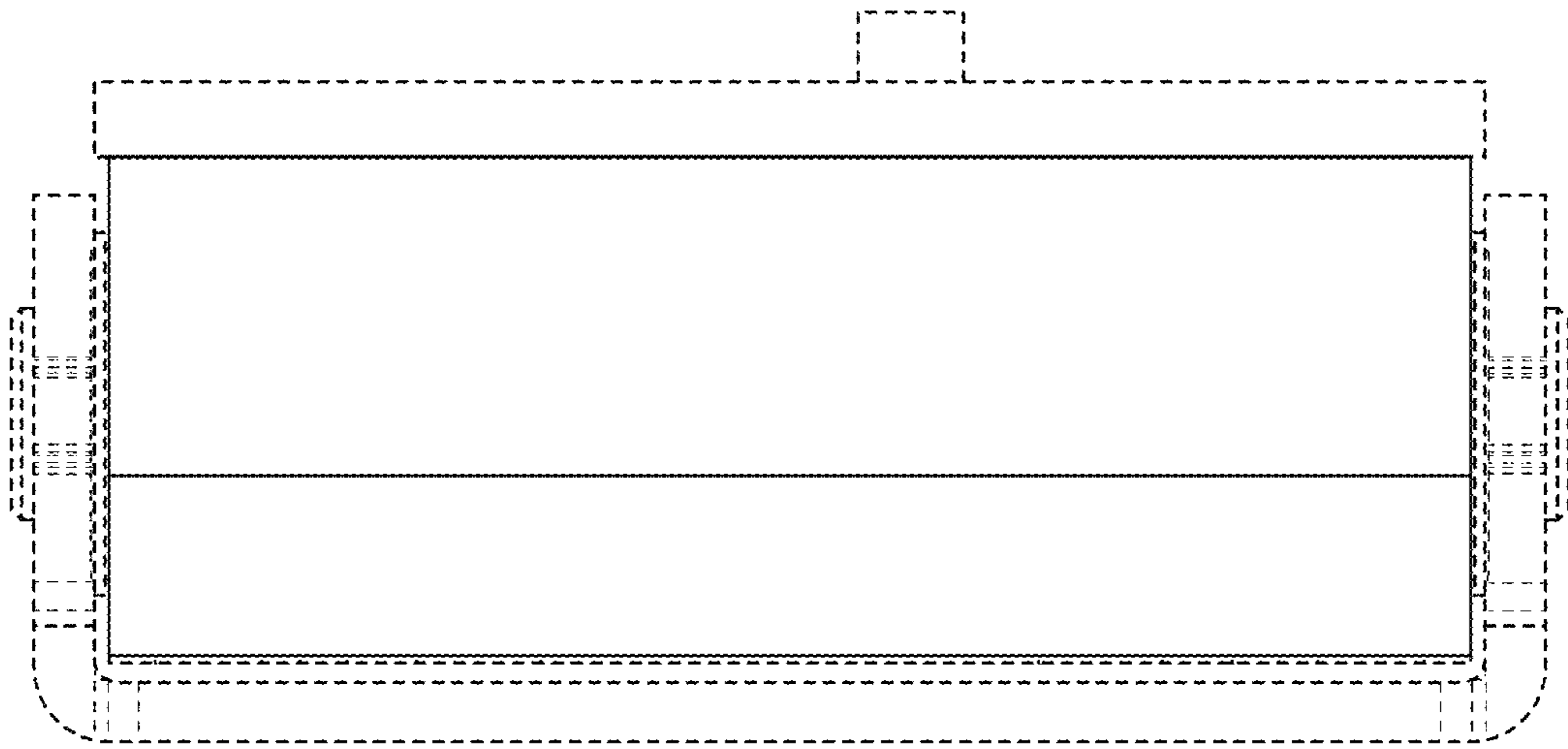


FIG. 5