



US00D734365S

(12) **United States Design Patent**  
**Maholick et al.**

(10) **Patent No.:** **US D734,365 S**

(45) **Date of Patent:** **\*\* Jul. 14, 2015**

(54) **EDUCTOR**

(71) Applicant: **General Electric Company,**  
Schenectady, NY (US)

(72) Inventors: **William Maholick,** White Lake, MI  
(US); **Jaime Jesus Garcia,** Lawrence  
Park, PA (US)

(73) Assignee: **General Electric Company,**  
Schenectady, NY (US)

(\*\*) Term: **14 Years**

(21) Appl. No.: **29/453,827**

(22) Filed: **May 3, 2013**

(51) **LOC (10) Cl.** ..... **15-02**

(52) **U.S. Cl.**  
USPC ..... **D15/7**

(58) **Field of Classification Search**  
USPC ..... D15/7-9; D23/231, 232, 225; 417/60,  
417/235, 265, 321, 355, 358, 363, 359,  
417/410.1, 415-416, 405, 900, 183;  
D8/396; 239/591; 193/25 R; 241/39  
CPC ..... B02C 23/26  
See application file for complete search history.

(56) **References Cited**

**U.S. PATENT DOCUMENTS**

D27,951 S \* 12/1897 Pennell ..... D15/7  
1,806,287 A \* 5/1931 Forrest ..... 417/183  
3,392,921 A \* 7/1968 Demaison ..... 239/589  
3,876,150 A \* 4/1975 Dwyer et al. .... 239/424

D275,451 S \* 9/1984 Galloway ..... D8/396  
5,516,046 A \* 5/1996 Cline et al. .... 239/427  
5,542,609 A \* 8/1996 Myers et al. .... 239/427  
5,609,306 A \* 3/1997 Siegel et al. .... 239/591  
6,402,068 B1 \* 6/2002 Handleman ..... 241/39  
6,427,779 B1 \* 8/2002 Richman ..... 169/30  
D471,563 S \* 3/2003 Selic et al. .... D15/7  
D519,525 S \* 4/2006 Verley ..... D15/7  
7,128,283 B1 \* 10/2006 Shahin ..... 239/600  
7,343,885 B1 \* 3/2008 Marley ..... 123/41.86  
D623,200 S \* 9/2010 Fulkerson et al. .... D15/7  
D678,911 S \* 3/2013 Prevost ..... D15/7  
D685,393 S \* 7/2013 Prevost ..... D15/7

\* cited by examiner

*Primary Examiner* — Ralf Seifert

(74) *Attorney, Agent, or Firm* — GE Global Patent  
Operation; John A. Kramer

(57) **CLAIM**

The ornamental design for an eductor, as shown and  
described.

**DESCRIPTION**

FIG. 1 is a first perspective view of an ornamental design for  
an eductor, according to the invention.

FIG. 2 is a rear view of an eductor of FIG. 1.

FIG. 3 is a front view of an eductor of FIG. 1.

FIG. 4 is a left view of an eductor of FIG. 1.

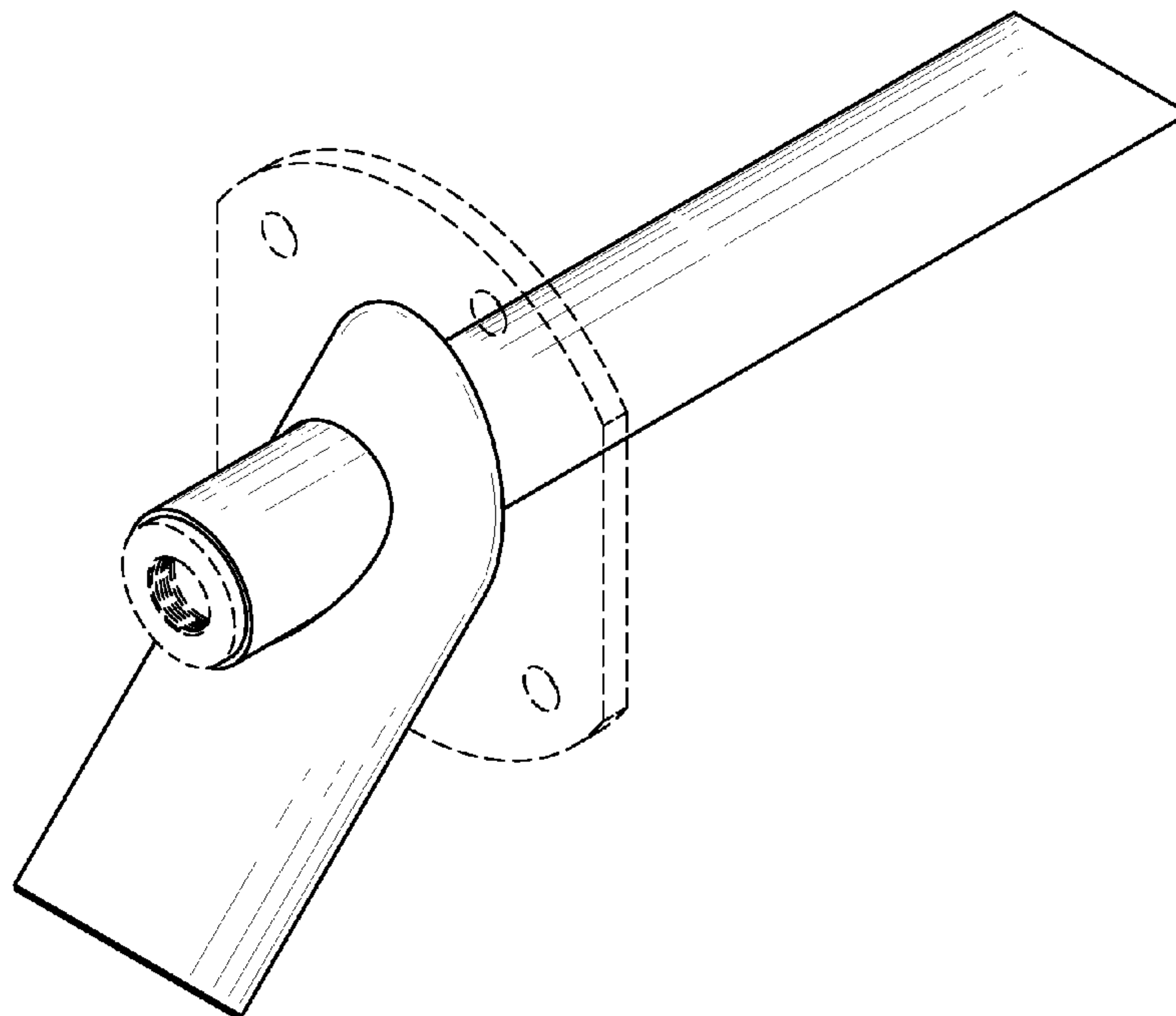
FIG. 5 is a right view of an eductor of FIG. 1.

FIG. 6 is a top view of an eductor of FIG. 1; and,

FIG. 7 is a bottom view of an eductor of FIG. 1.

The shading and contour lines in FIGS. 1-7 are for illustrative  
purposes only and form no part of the claimed design.

**1 Claim, 4 Drawing Sheets**



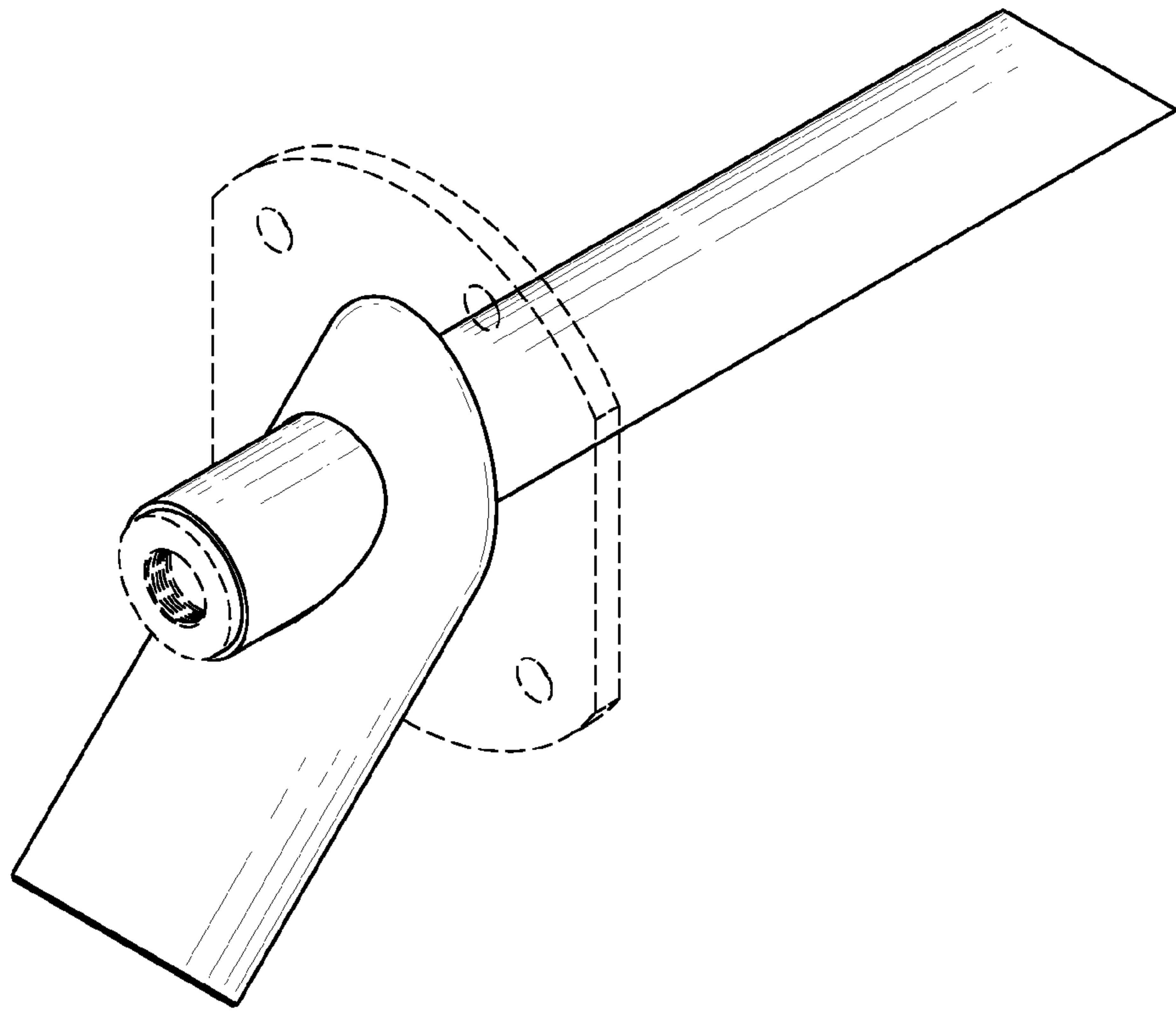


FIG. 1

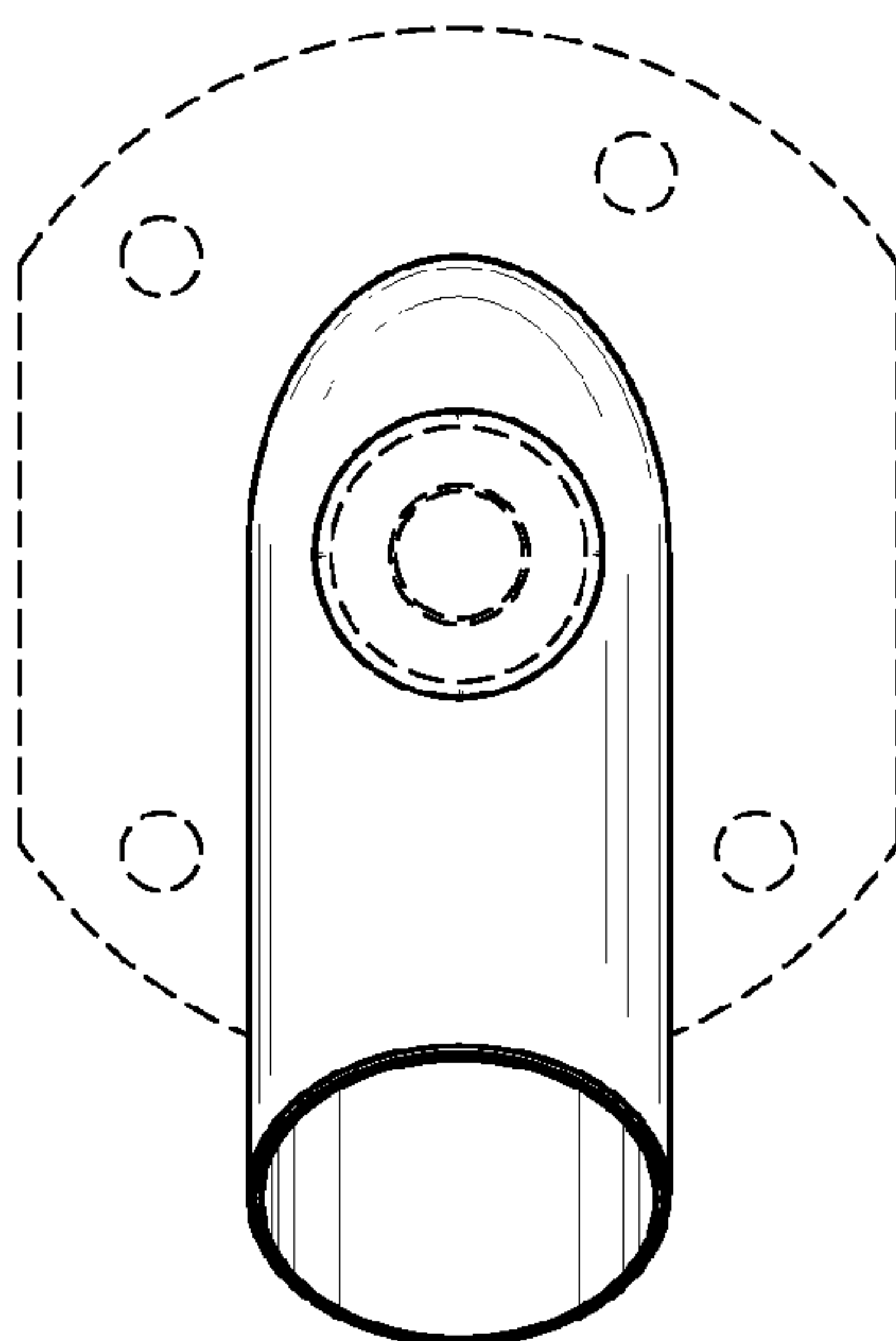


FIG. 2

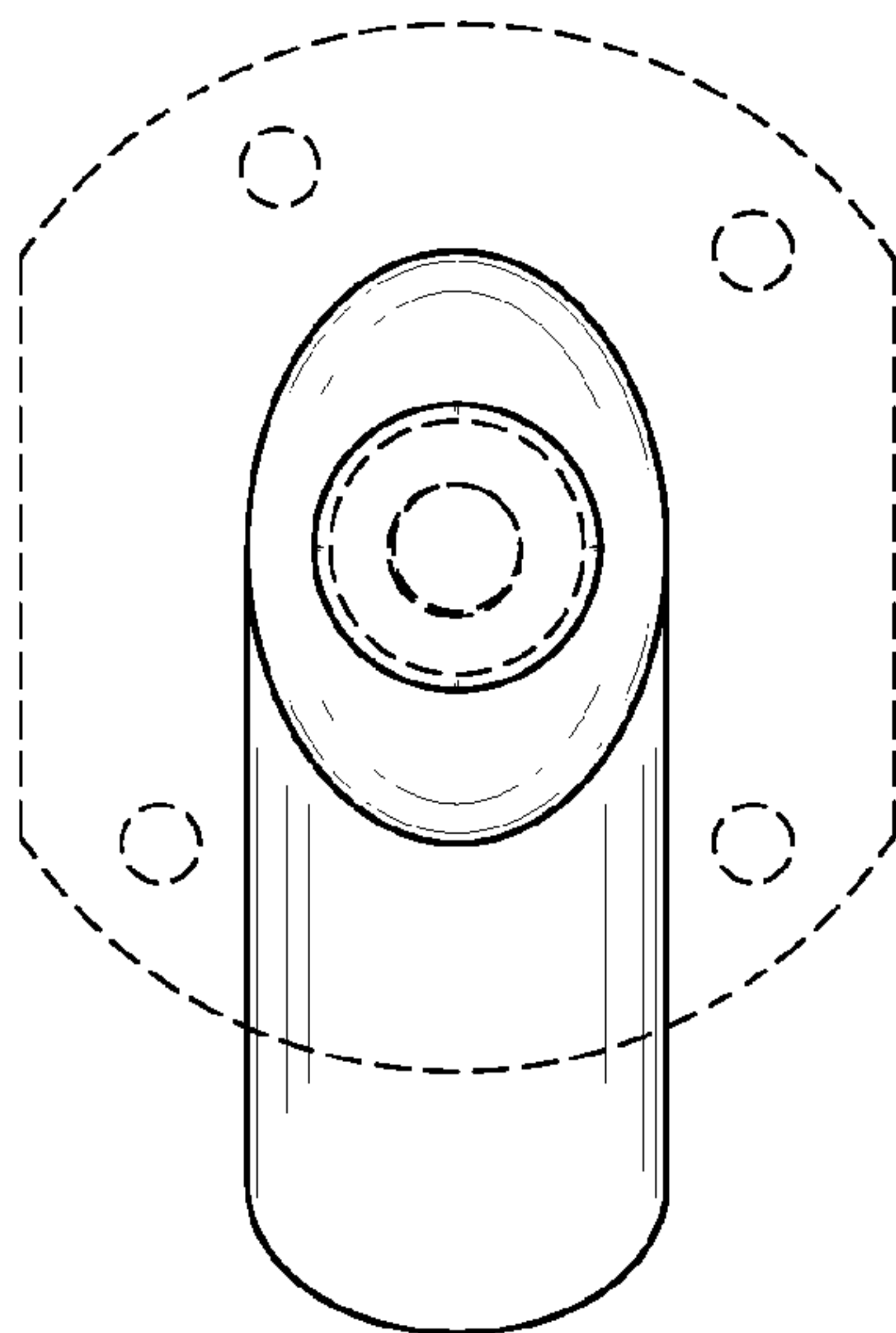


FIG. 3

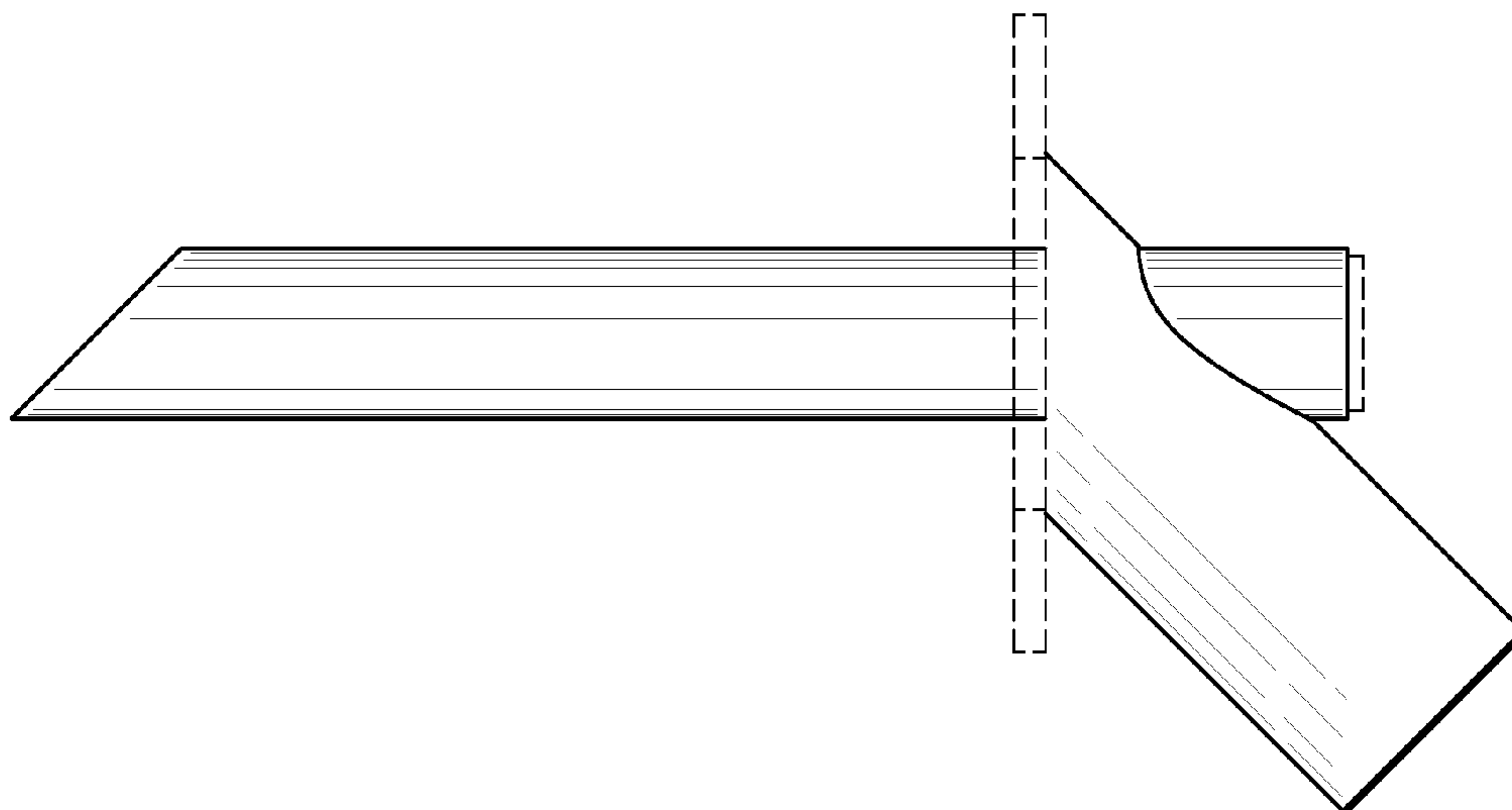


FIG. 4

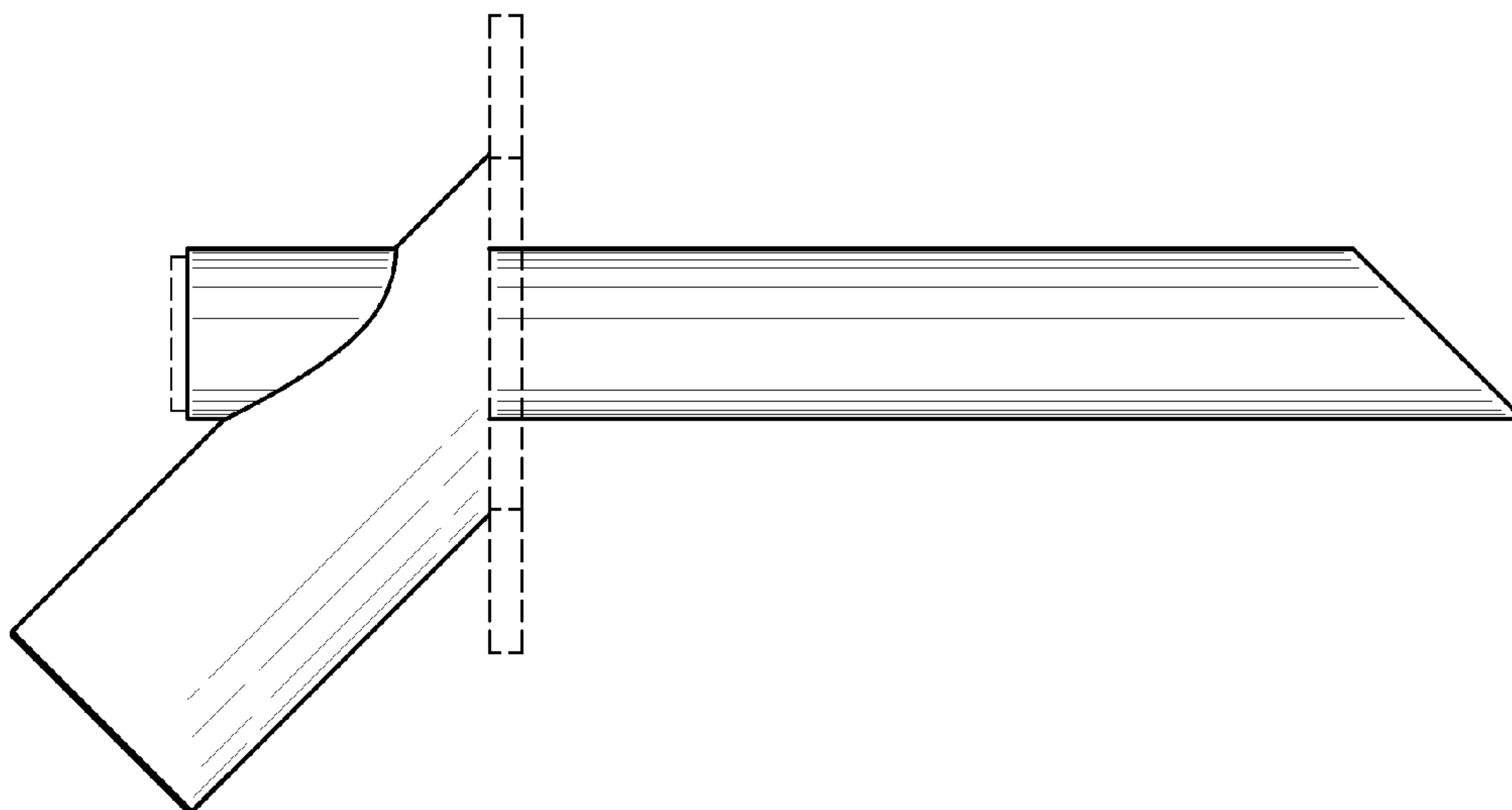


FIG. 5

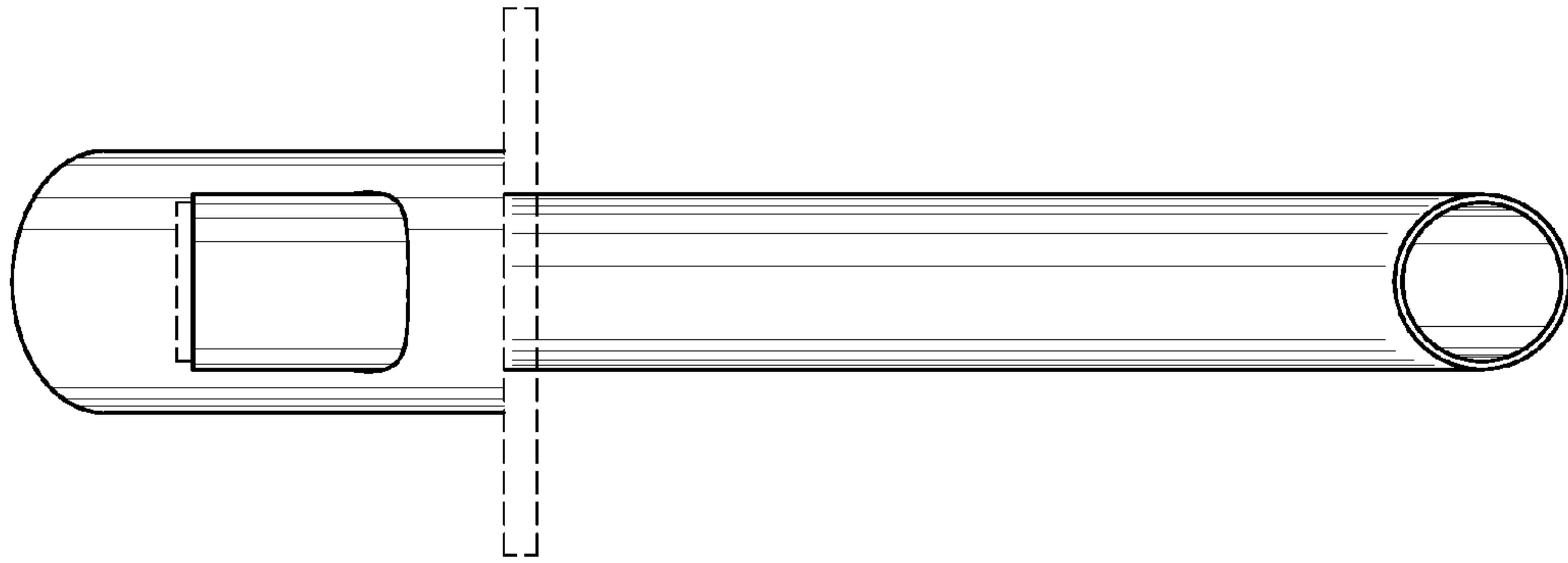


FIG. 6

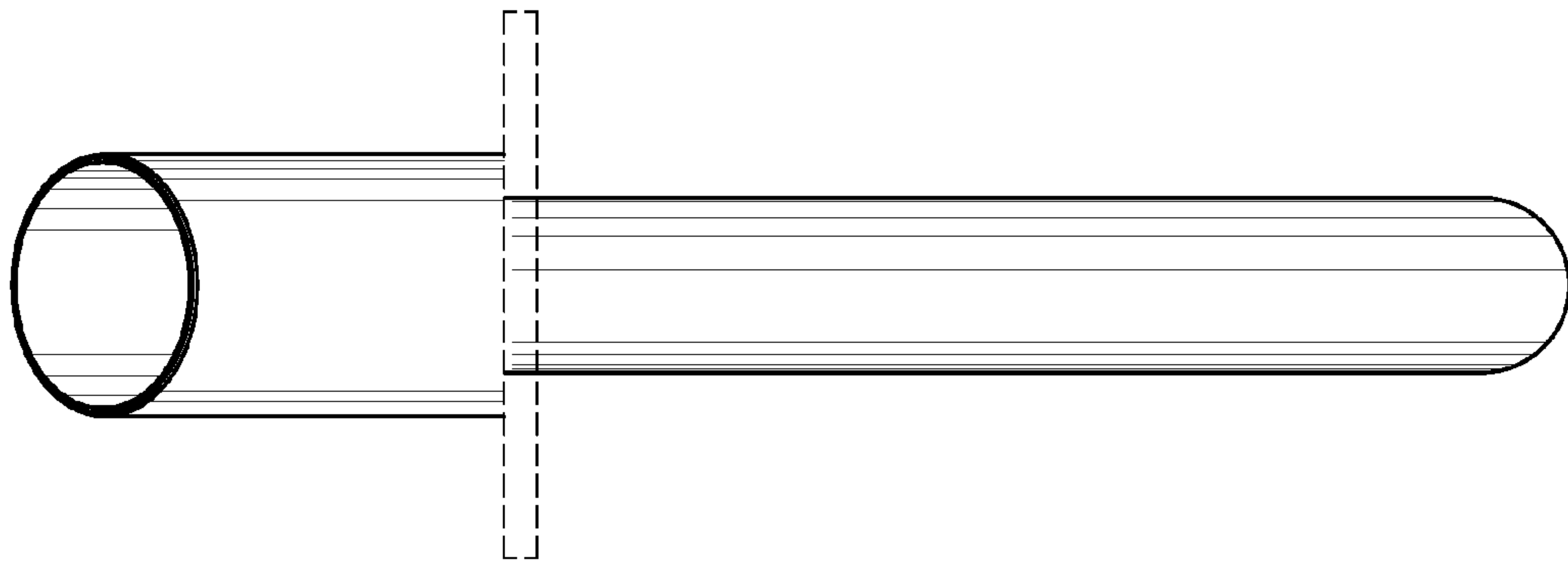


FIG. 7