



US00D734364S

(12) **United States Design Patent**
Blythe et al.

(10) **Patent No.:** **US D734,364 S**
(45) **Date of Patent:** **** Jul. 14, 2015**

(54) **TURBOCHARGER**

- (71) Applicant: **General Electric Company**,
Schenectady, NY (US)
- (72) Inventors: **Neil Xavier Blythe**, Lawrence Park, PA
(US); **Daniel Edward Loring**,
Lawrence Park, PA (US); **Lukas**
William Johnson, Lawrence Park, PA
(US); **Milan Shah**, Lawrence Park, PA
(US)
- (73) Assignee: **General Electric Company**,
Schenectady, NY (US)
- (**) Term: **14 Years**
- (21) Appl. No.: **29/487,204**
- (22) Filed: **Apr. 7, 2014**

Related U.S. Application Data

- (63) Continuation of application No. 29/427,970, filed on Jul. 24, 2012, now abandoned, and a continuation of application No. 13/233,506, filed on Sep. 15, 2011, now Pat. No. 8,959,913.
- (51) **LOC (10) Cl.** **15-01**
- (52) **U.S. Cl.**
USPC **D15/5**
- (58) **Field of Classification Search**
USPC D13/103, 107, 112-118, 147; D15/1, 3,
D15/5, 148, 149, 199; D12/164, 172;
123/58.7, 383, 528, 559.1, 559.3, 560,
123/562, 563, 565, 566, 73 S; 417/406;
477/32, 33; 60/602, 605.1, 612
CPC F05D 2240/10; F05D 2240/12; F05D
2240/40; F05D 2240/50; F05D 2240/53;
F05D 2240/60; F05D 2240/301; F05D
2230/50; F05D 2230/53; F05D 2230/64;
F05D 2230/90

See application file for complete search history.

(56) **References Cited**

U.S. PATENT DOCUMENTS

4,414,725	A	11/1983	Breitweiser et al.	
D368,269	S	3/1996	Chapman	
D413,122	S	8/1999	Chapman	
D466,906	S *	12/2002	Francis	D15/1
D590,419	S *	4/2009	Duffek et al.	D15/5
D611,064	S	3/2010	Takahata	
7,805,938	B2	10/2010	Roh	
D638,035	S *	5/2011	Kosugi et al.	D15/5
8,206,133	B2 *	6/2012	Mudel	417/406
2004/0107948	A1 *	6/2004	Meshenky et al.	123/559.1
2005/0011192	A1 *	1/2005	Ohishi	60/602
2007/0209362	A1 *	9/2007	Sun	60/602
2008/0308078	A1 *	12/2008	Theng	123/559.1
2010/0178164	A1	7/2010	Loring et al.	
2012/0222400	A1	9/2012	Walker et al.	
2012/0260896	A1 *	10/2012	Saeki et al.	123/559.1
2013/0067917	A1	3/2013	Nagurney et al.	
2013/0269339	A1 *	10/2013	Marques et al.	60/605.1
2014/0000570	A1 *	1/2014	Gibby	123/559.1

* cited by examiner

Primary Examiner — Adir Aronovich

Assistant Examiner — Ramzi Almatrahi

(74) *Attorney, Agent, or Firm* — GE Global Patent Operation; John A. Kramer

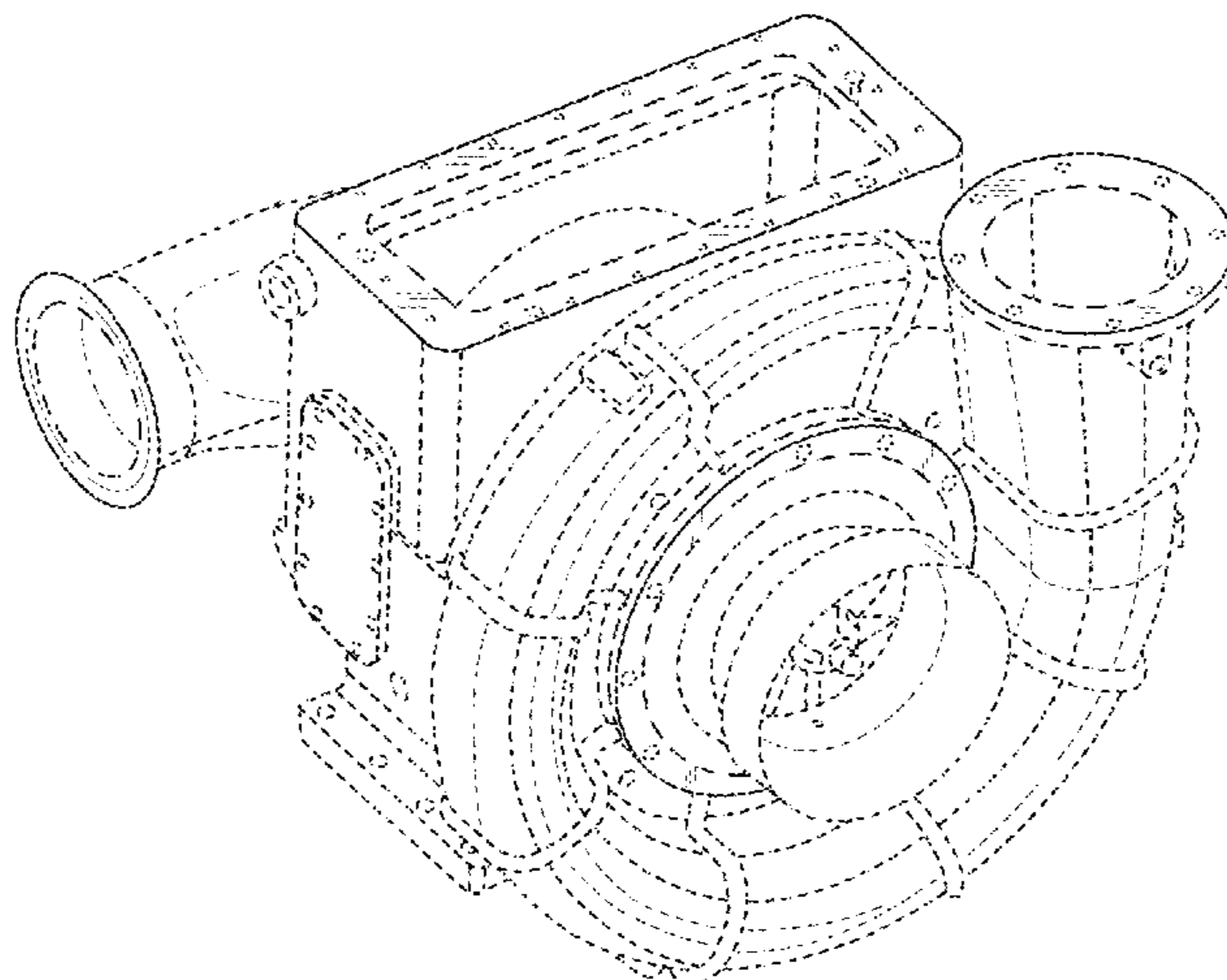
(57) **CLAIM**

The ornamental design for a turbocharger, as shown and described.

DESCRIPTION

FIG. 1 is a top, front and right side perspective view of a turbocharger according to our invention;
 FIG. 2 is a front elevational view thereof;
 FIG. 3 is a rear elevational view thereof;
 FIG. 4 is a left side elevational view thereof;
 FIG. 5 is a right side elevational view thereof;
 FIG. 6 is a top plan view thereof; and,
 FIG. 7 is a bottom plan view thereof.
 The broken lines in the drawing are included for the purpose of illustrating environmental subject matter and form no part of the claimed design.

1 Claim, 4 Drawing Sheets



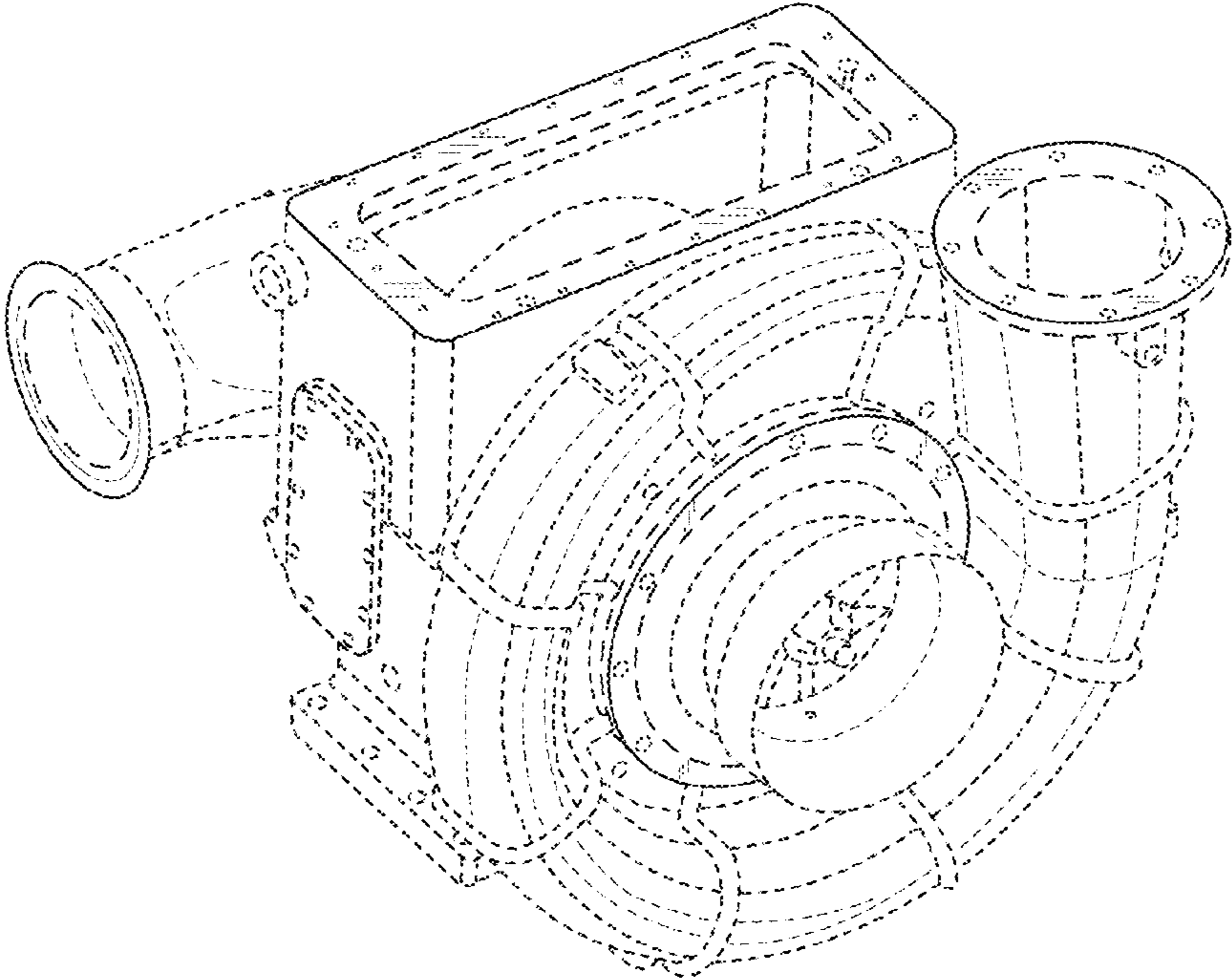


FIG. 1

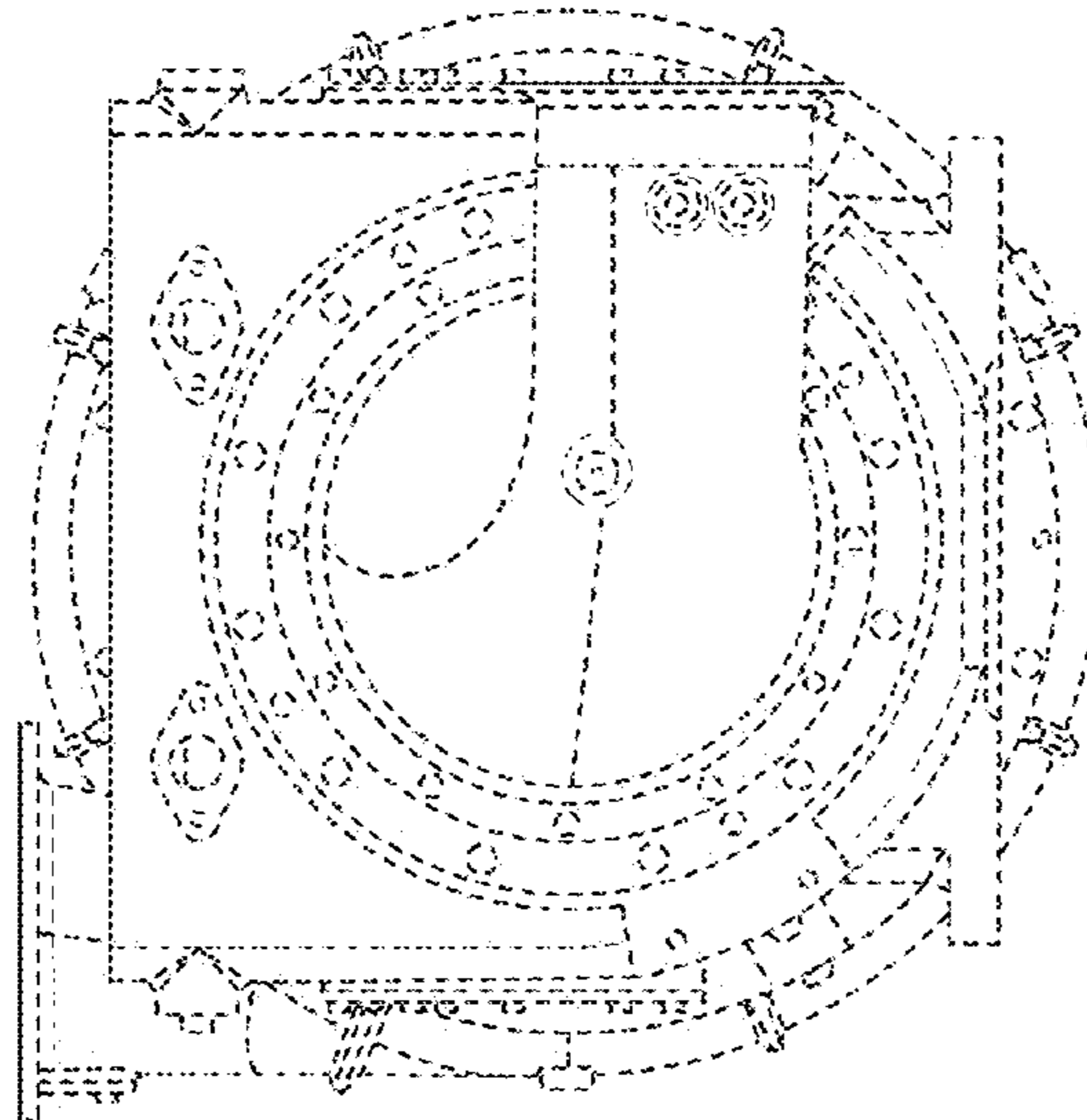


FIG. 2

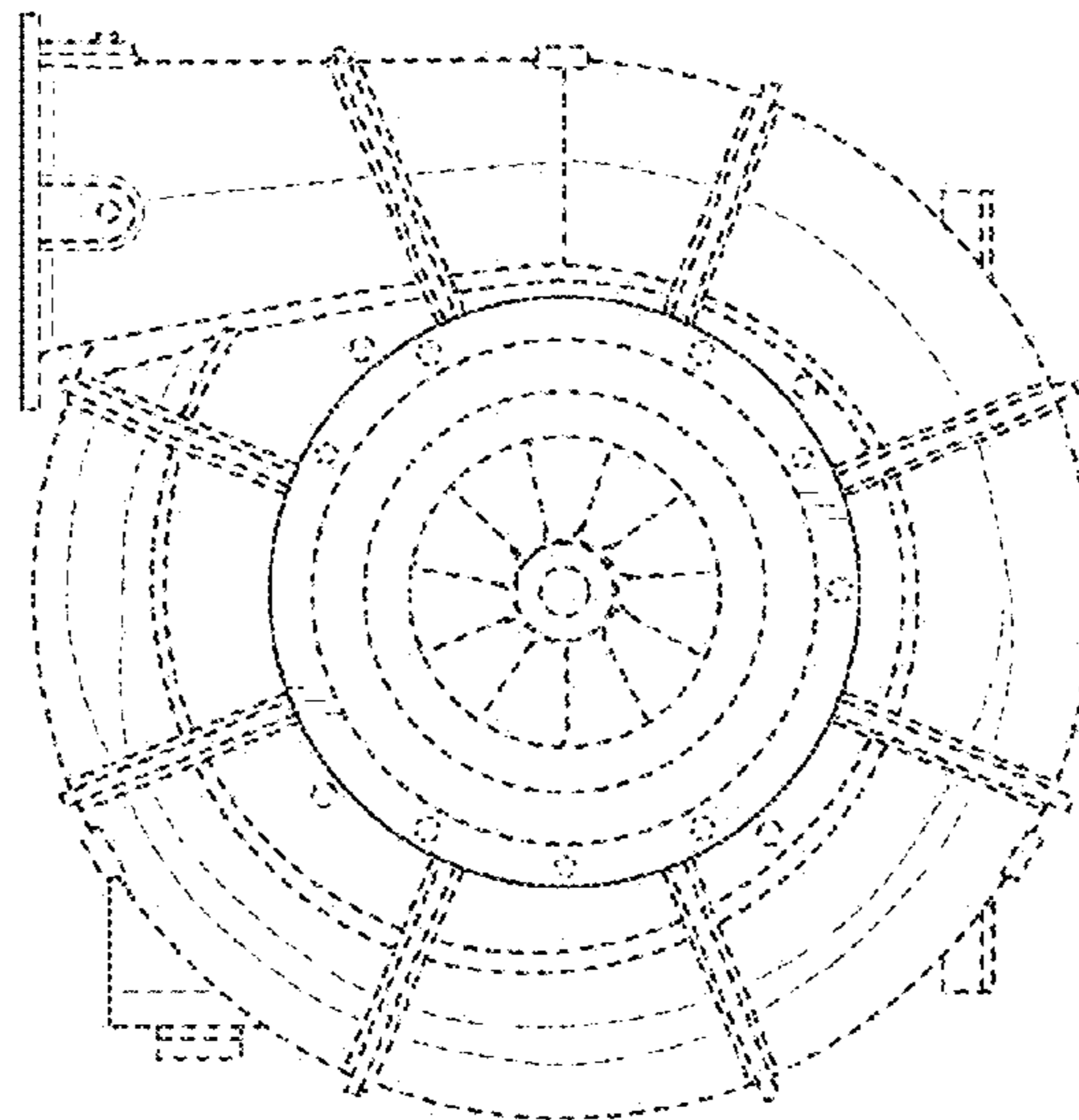


FIG. 3

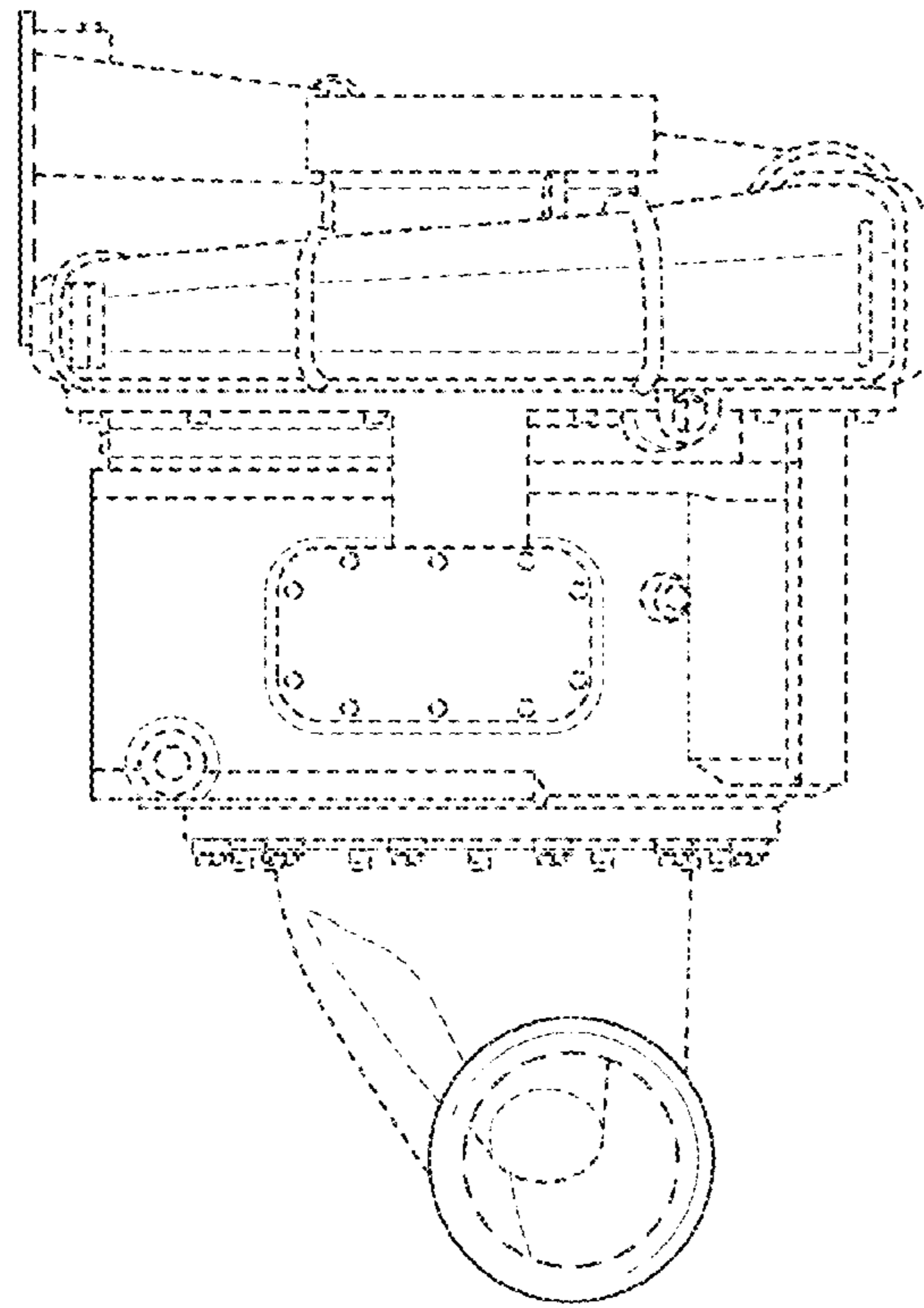


FIG. 4

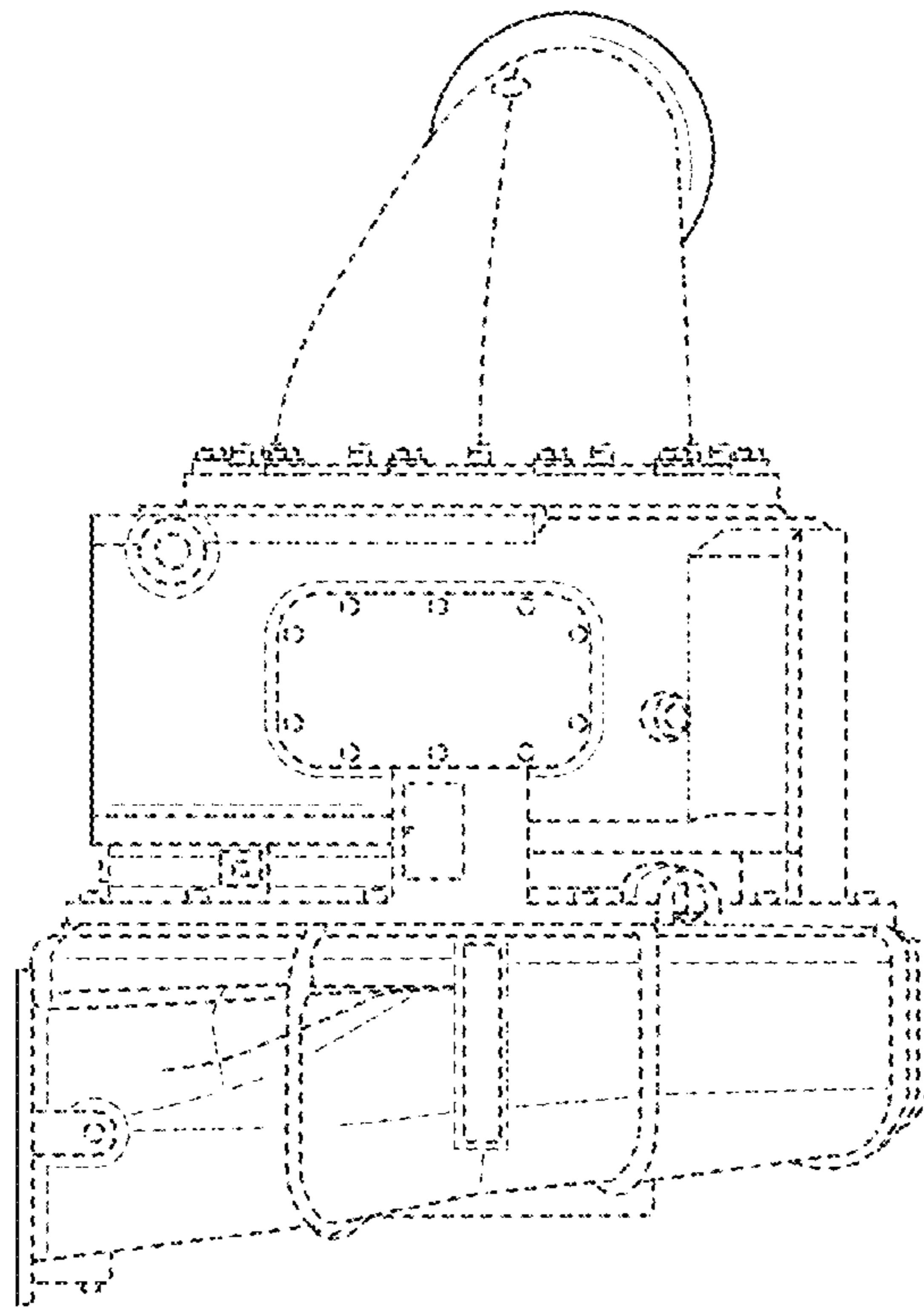


FIG. 5

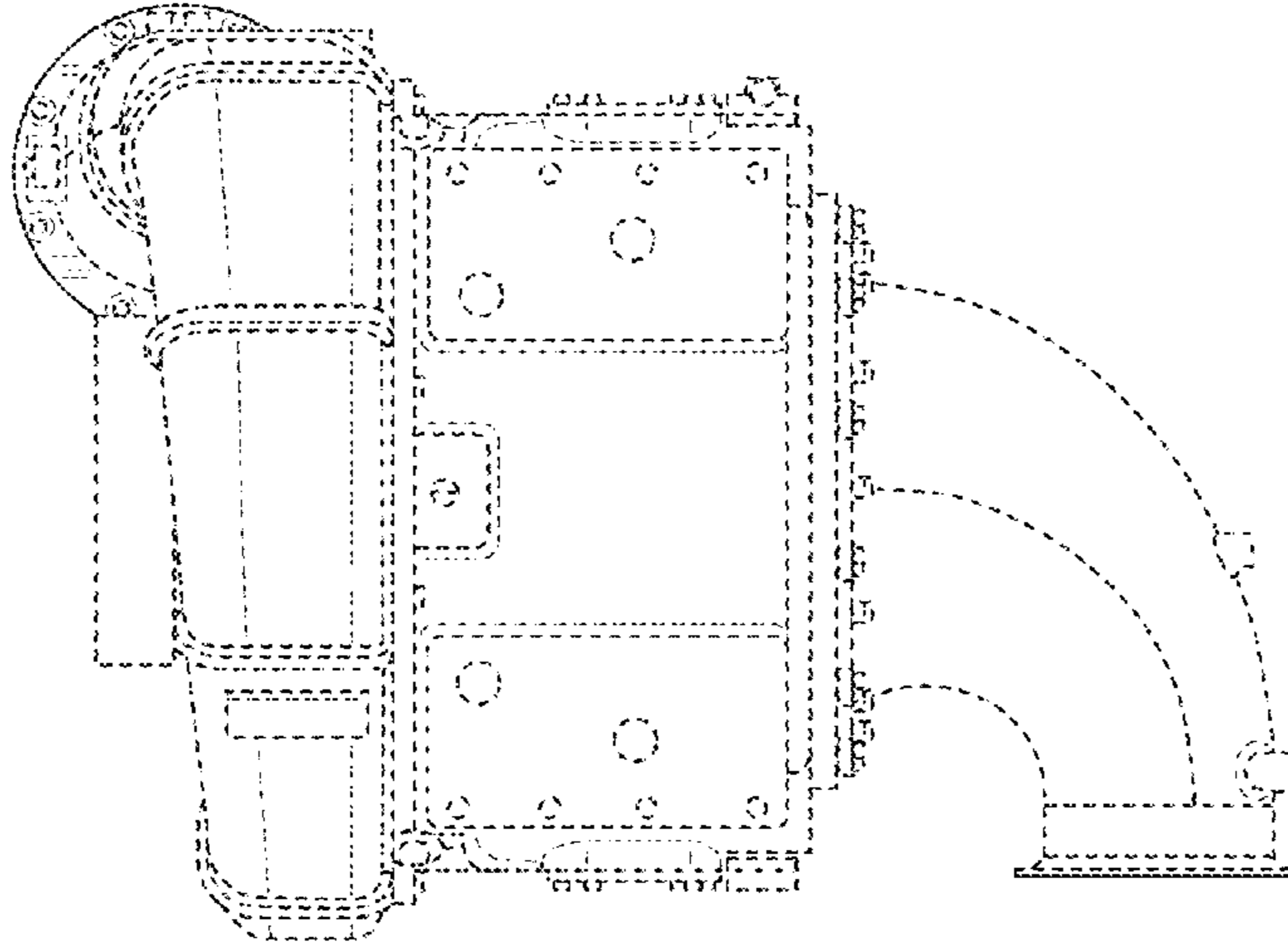


FIG. 7

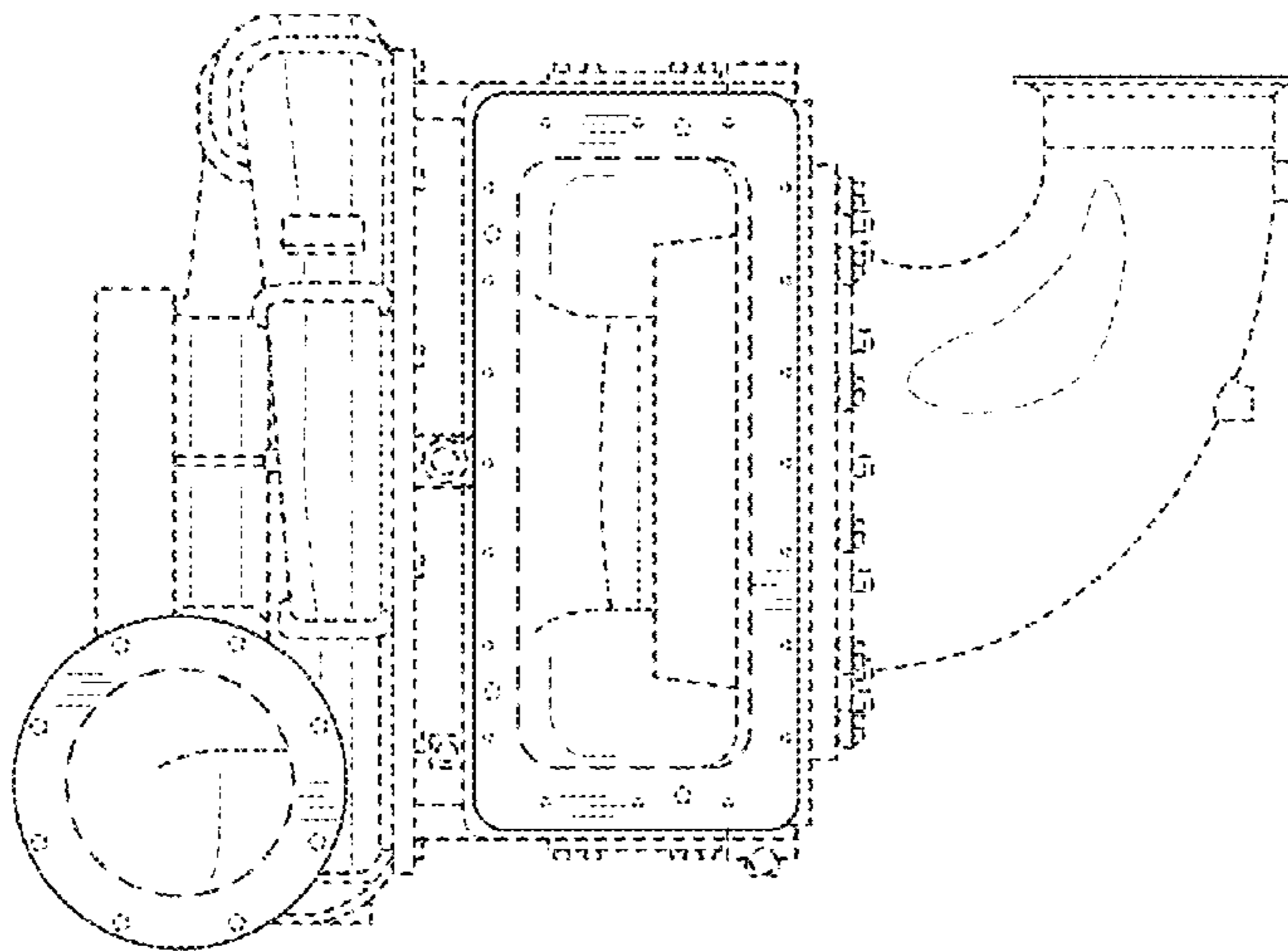


FIG. 6