



US00D734340S

(12) **United States Design Patent**
Kim et al.

(10) **Patent No.:** **US D734,340 S**
(45) **Date of Patent:** **** Jul. 14, 2015**

(54) **CASE FOR ELECTRONIC DEVICE**

- (71) Applicant: **Samsung Electronics Co., Ltd.**,
Suwon-si (KR)
- (72) Inventors: **Kuk-Hwan Kim**, Seoul (KR); **Jae-Ho Baik**, Yongin-Si (KR); **Jung-Min Yeo**,
Seoul (KR); **Min-Hyouk Lee**, Seoul
(KR)
- (73) Assignee: **Samsung Electronics Co., Ltd.**,
Suwon-si (KR)

(**) Term: **14 Years**

(21) Appl. No.: **29/498,397**

(22) Filed: **Aug. 4, 2014**

(30) **Foreign Application Priority Data**

Apr. 29, 2014 (KR) 30-2014-0021752

(51) **LOC (10) Cl.** **14-02**

(52) **U.S. Cl.**
USPC **D14/440**

(58) **Field of Classification Search**
USPC D14/250, 251, 253, 240, 217, 496, 440,
D14/203.3, 203.4, 203.5, 203.8, 341, 318;
D3/218, 215, 201, 294, 289, 900;
220/4.02; 248/309.1; 361/679.56;
379/426, 433.11, 455; 455/575.1,
455/575.8, 457.1; 190/100; 206/305, 320,
206/45.2; D21/469; 312/240
CPC ... G06F 1/1601; G06F 1/1626; G06F 1/1633;
G06F 1/1675; G06F 1/1679; G02F 1/1306;
G02F 1/133; G02F 1/133308; G02F 1/153;
G02F 1/1533; G02F 2001/133317; H04M
1/185; H04M 1/0252; H04B 1/3888

See application file for complete search history.

(56) **References Cited**

U.S. PATENT DOCUMENTS

1,613,536 A * 1/1927 Rose 132/315
D230,376 S * 2/1974 Andrew D19/91

(Continued)

Primary Examiner — Cynthia Underwood
(74) *Attorney, Agent, or Firm* — NSIP Law

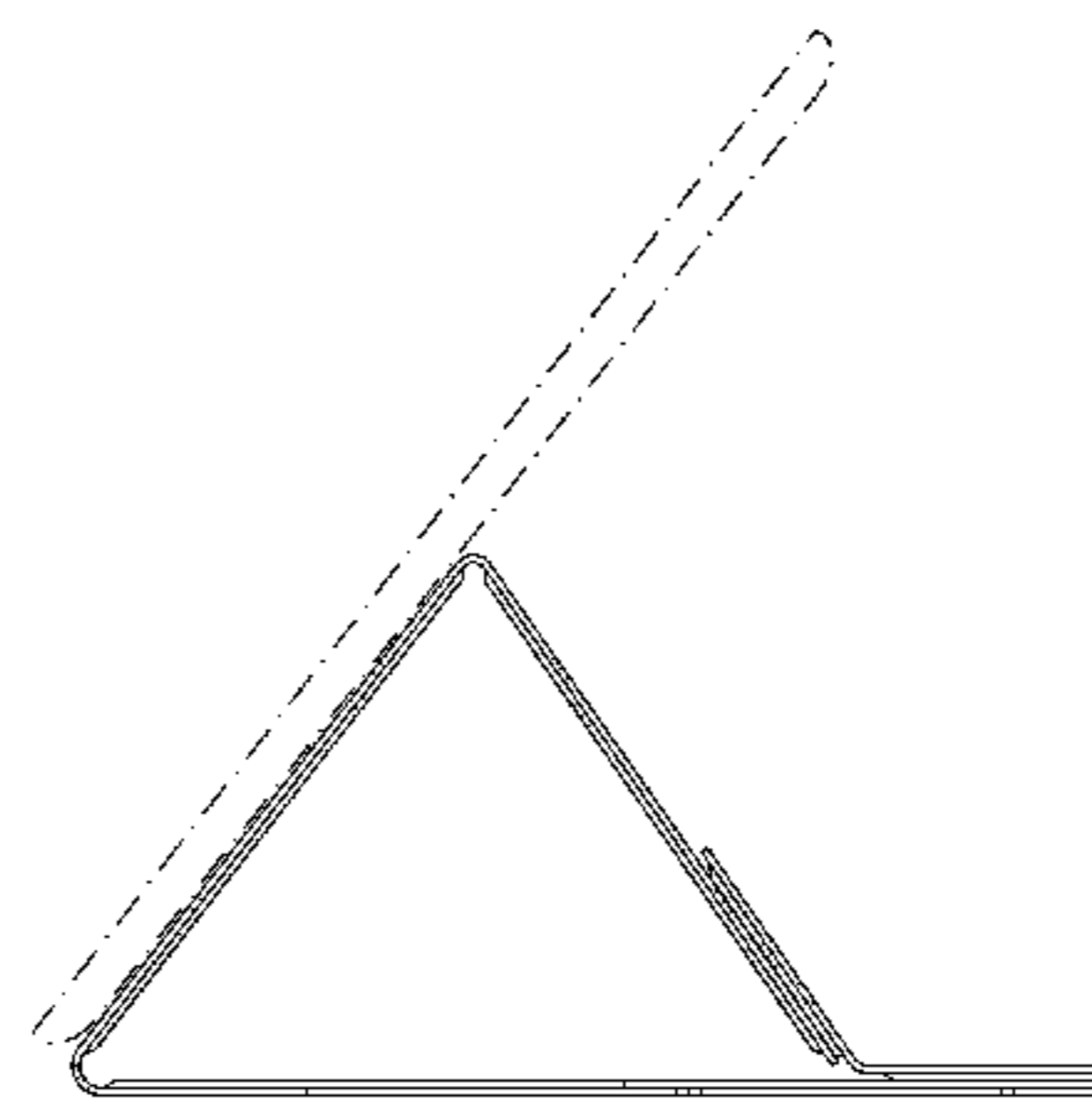
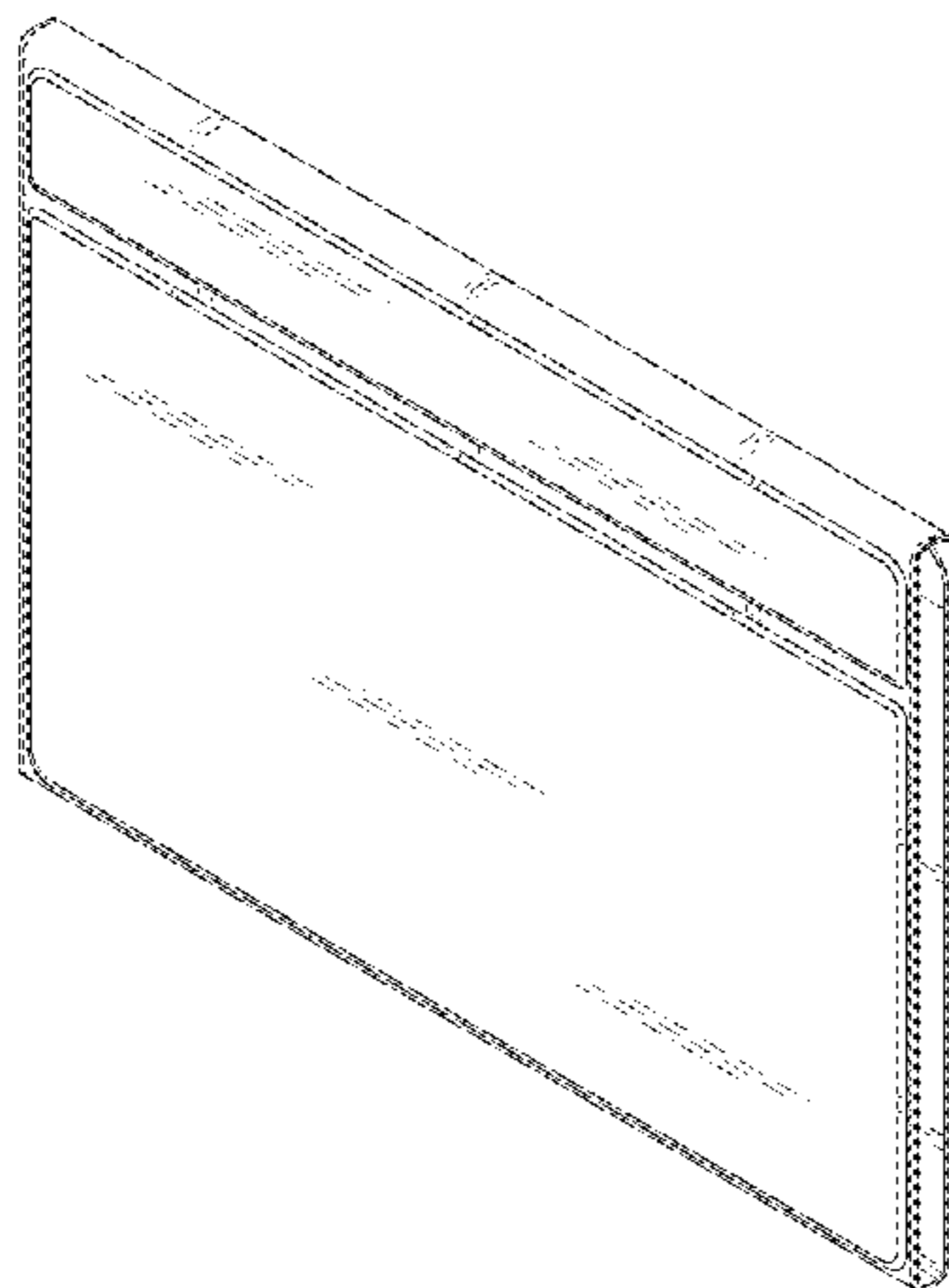
(57) **CLAIM**

We claim the ornamental design for a case for electronic device, as shown and described.

DESCRIPTION

FIG. 1 is a front perspective view of a case for electronic device showing our new design;
FIG. 2 is a front view thereof;
FIG. 3 is a rear view thereof;
FIG. 4 is an enlarged left-side view thereof;
FIG. 5 is an enlarged right-side view thereof;
FIG. 6 is a top view thereof;
FIG. 7 bottom view thereof;
FIG. 8 is another front view, in which the case for electronic device is provided in an open position;
FIG. 9 is an enlarged rear view of FIG. 8;
FIG. 10 is another enlarged right-side view of FIG. 5, in which a mobile terminal in dot-dash broken lines is provided to illustrate an example environment;
FIG. 11 is another enlarged right-side view thereof, in which the case for electronic device is provided in an alternate position;
FIG. 12 is another enlarged right-side view thereof; in which the case for electronic device is provided in another alternate position; and,
FIG. 13 is another enlarged right-side view thereof; in which the case for electronic device is provided in another alternate position.
The broken lines along the perimeter represent stitching and form part of the claim. The broken lines shown on the feet in FIG. 9 are included for illustrative purposes only and form no part of the claim. The dot-dash broken lines shown on FIGS. 8 and 9 are included for illustrative purposes only and form no part of the claim. The dot-dash lines in FIGS. 10-13 represent a mobile terminal and form no part of the claim.

1 Claim, 11 Drawing Sheets



(56)

References Cited

U.S. PATENT DOCUMENTS

| | | | | |
|--------------|------|---------|---------------------------------|------------|
| 4,259,568 | A * | 3/1981 | Dynesen | 235/1 D |
| 6,772,879 | B1 * | 8/2004 | Domotor | 206/45.23 |
| 7,281,698 | B2 * | 10/2007 | Patterson, Jr. | 248/458 |
| 7,414,833 | B2 * | 8/2008 | Kittayapong | 361/679.27 |
| 7,735,644 | B2 * | 6/2010 | Sirichai et al. | 206/320 |
| D658,187 | S * | 4/2012 | Diebel | D14/440 |
| D658,188 | S * | 4/2012 | Diebel | D14/440 |
| D663,304 | S * | 7/2012 | Akana et al. | D14/440 |
| 8,230,992 | B2 * | 7/2012 | Law et al. | 206/320 |
| 8,245,843 | B1 * | 8/2012 | Wu | 206/320 |
| 8,312,991 | B2 * | 11/2012 | Diebel et al. | 206/45.24 |
| D671,948 | S * | 12/2012 | Akana et al. | D14/440 |
| D672,353 | S * | 12/2012 | Liu | D14/440 |
| D672,781 | S * | 12/2012 | Lu | D14/440 |
| D675,625 | S * | 2/2013 | Hasbrook et al. | D14/440 |
| D678,260 | S * | 3/2013 | Bau | D14/250 |
| D679,279 | S * | 4/2013 | Yang et al. | D14/440 |
| D679,715 | S * | 4/2013 | Akana et al. | D14/440 |
| 8,424,830 | B2 * | 4/2013 | Yang et al. | 248/459 |
| D681,641 | S * | 5/2013 | Van Den Nieuwenhuizen et al. | D14/440 |
| D682,836 | S * | 5/2013 | Akana et al. | D14/440 |
| D682,838 | S * | 5/2013 | Akana et al. | D14/440 |
| D683,141 | S * | 5/2013 | Symons | D6/310 |
| D687,438 | S * | 8/2013 | Lu | D14/440 |
| D690,305 | S * | 9/2013 | Wen | D14/440 |
| D690,702 | S * | 10/2013 | Chung | D14/440 |
| D691,142 | S * | 10/2013 | Diebel | D14/440 |
| D692,434 | S * | 10/2013 | Kim | D14/440 |
| D693,823 | S * | 11/2013 | Chen et al. | D14/440 |
| D695,296 | S * | 12/2013 | Hsu | D14/440 |
| D696,253 | S * | 12/2013 | Akana et al. | D14/345 |
| D696,256 | S * | 12/2013 | Piedra et al. | D14/440 |
| D696,669 | S * | 12/2013 | Akana et al. | D14/440 |
| 8,640,864 | B2 * | 2/2014 | Chen et al. | 206/45.2 |
| 8,657,112 | B2 * | 2/2014 | Igarashi | 206/320 |
| D701,205 | S * | 3/2014 | Akana et al. | D14/345 |
| D702,673 | S * | 4/2014 | Murchison et al. | D14/250 |
| D704,689 | S * | 5/2014 | Chang | D14/250 |
| D704,693 | S * | 5/2014 | Kim | D14/250 |
| D706,270 | S * | 6/2014 | Akana et al. | D14/440 |
| D706,783 | S * | 6/2014 | Almodova | D14/440 |
| D707,229 | S * | 6/2014 | Almodova | D14/440 |
| 8,757,375 | B2 * | 6/2014 | Huang | 206/320 |
| D708,838 | S * | 7/2014 | Lee | D3/201 |
| 8,763,795 | B1 * | 7/2014 | Oten et al. | 206/45.23 |
| 8,766,921 | B2 * | 7/2014 | Ballagas et al. | 345/168 |
| 8,773,353 | B2 * | 7/2014 | Wei | 345/156 |
| 8,783,458 | B2 * | 7/2014 | Gallagher et al. | 206/320 |
| D710,859 | S * | 8/2014 | Mecchella et al. | D14/440 |
| 8,797,132 | B2 * | 8/2014 | Childs et al. | 335/219 |
| 2003/0034263 | A1 * | 2/2003 | D'Hoste | 206/320 |
| 2008/0302687 | A1 * | 12/2008 | Sirichai et al. | 206/320 |
| 2009/0159763 | A1 * | 6/2009 | Kim | 248/174 |
| 2011/0266194 | A1 * | 11/2011 | Bau | 206/736 |
| 2011/0290687 | A1 * | 12/2011 | Han | 206/320 |
| 2012/0211377 | A1 * | 8/2012 | Sajid | 206/216 |
| 2012/0211613 | A1 * | 8/2012 | Yang et al. | 248/174 |
| 2012/0305413 | A1 * | 12/2012 | Chung | 206/45.23 |
| 2012/0308981 | A1 * | 12/2012 | Libin et al. | 434/362 |
| 2013/0015088 | A1 * | 1/2013 | Wu | 206/320 |
| 2013/0020216 | A1 * | 1/2013 | Chiou | 206/320 |
| 2013/0140203 | A1 * | 6/2013 | Chiang | 206/320 |
| 2013/0213838 | A1 * | 8/2013 | Tsai et al. | 206/320 |
| 2013/0214661 | A1 * | 8/2013 | McBroom | 312/325 |
| 2013/0241381 | A1 * | 9/2013 | Hyneczek et al. | 312/240 |
| 2013/0264459 | A1 * | 10/2013 | McCosh et al. | 248/688 |

* cited by examiner

FIG. 1

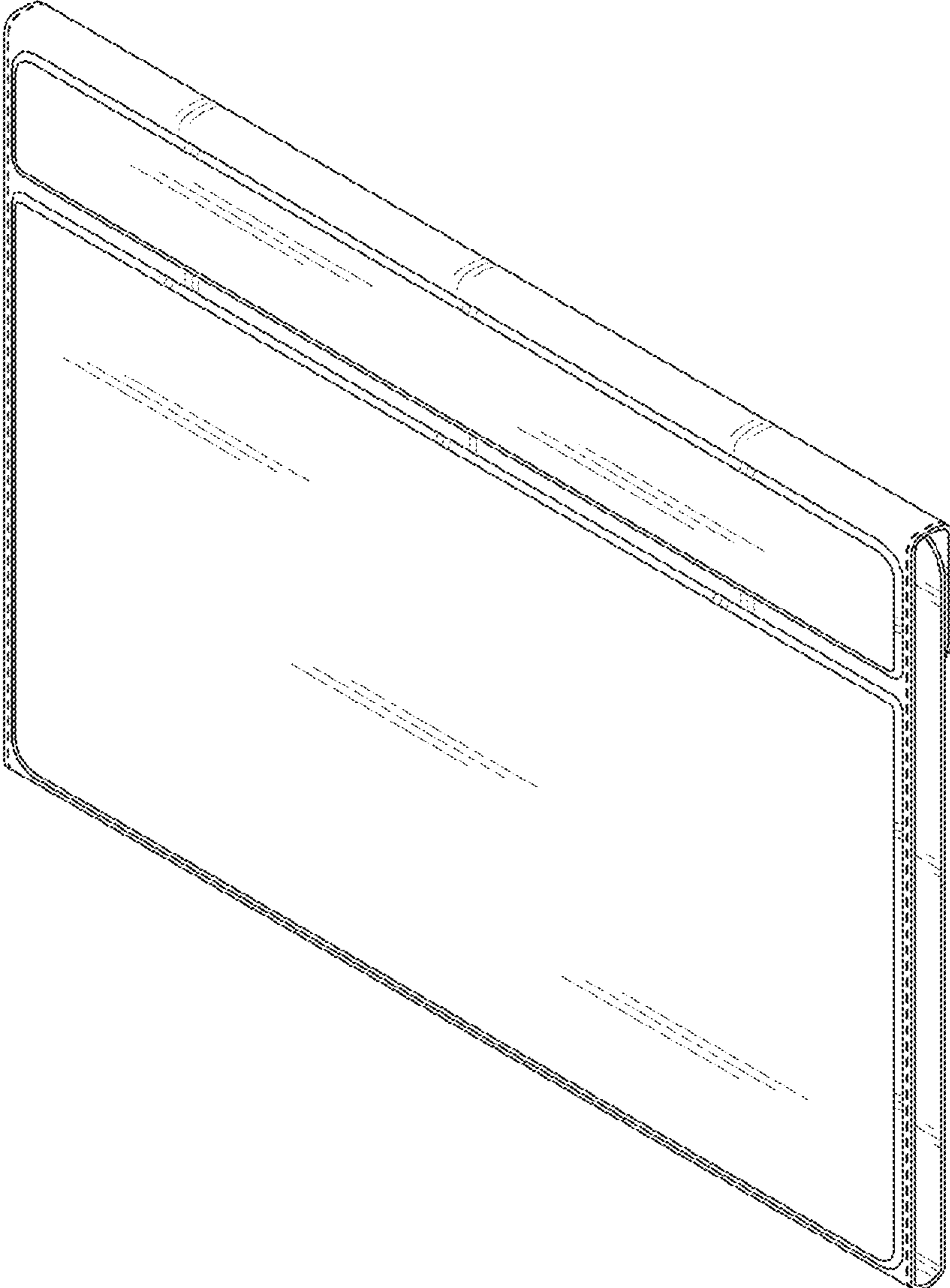


FIG. 2



FIG. 3

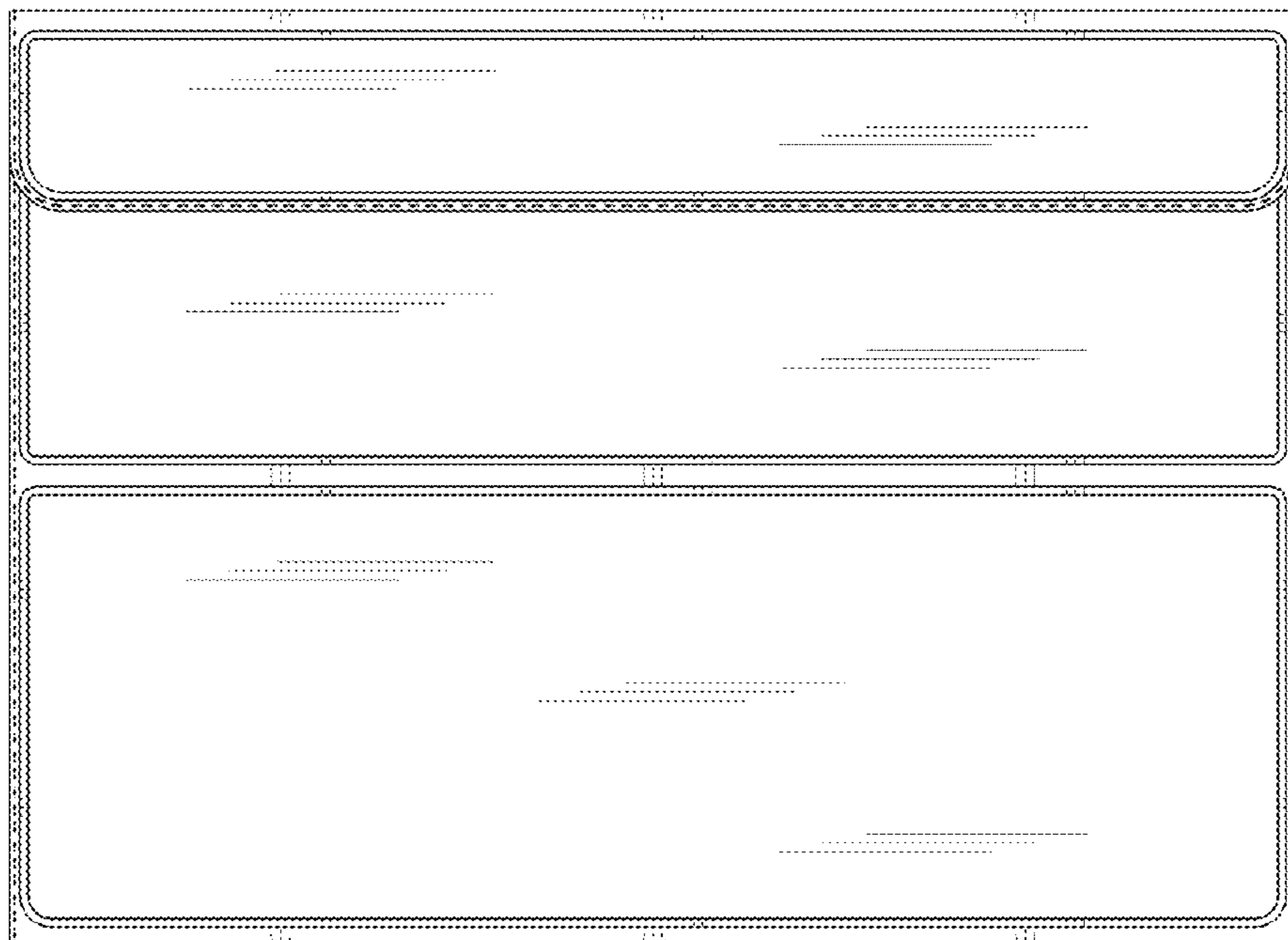


FIG. 4

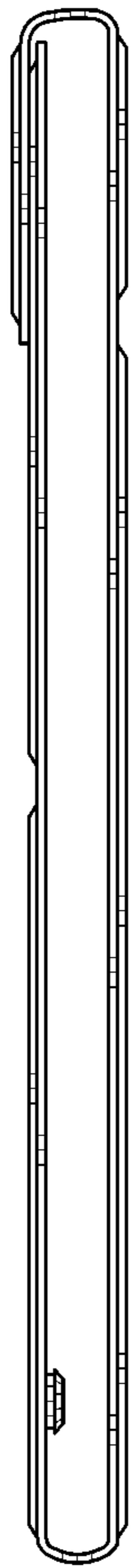


FIG. 5

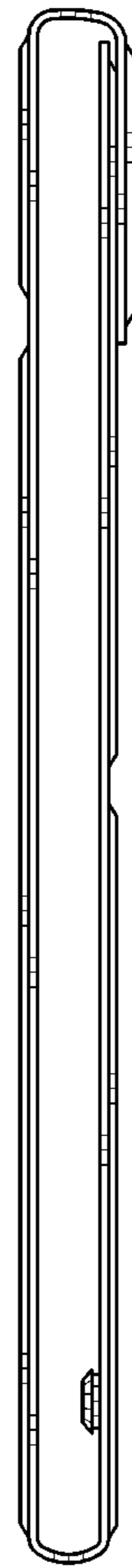


FIG. 6

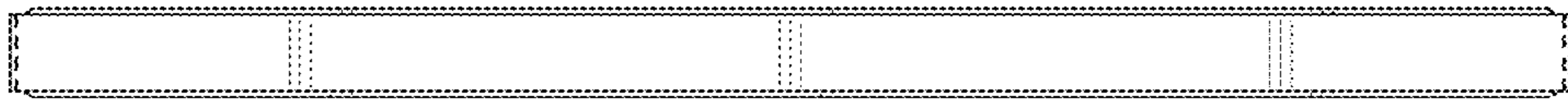


FIG. 7



FIG. 8

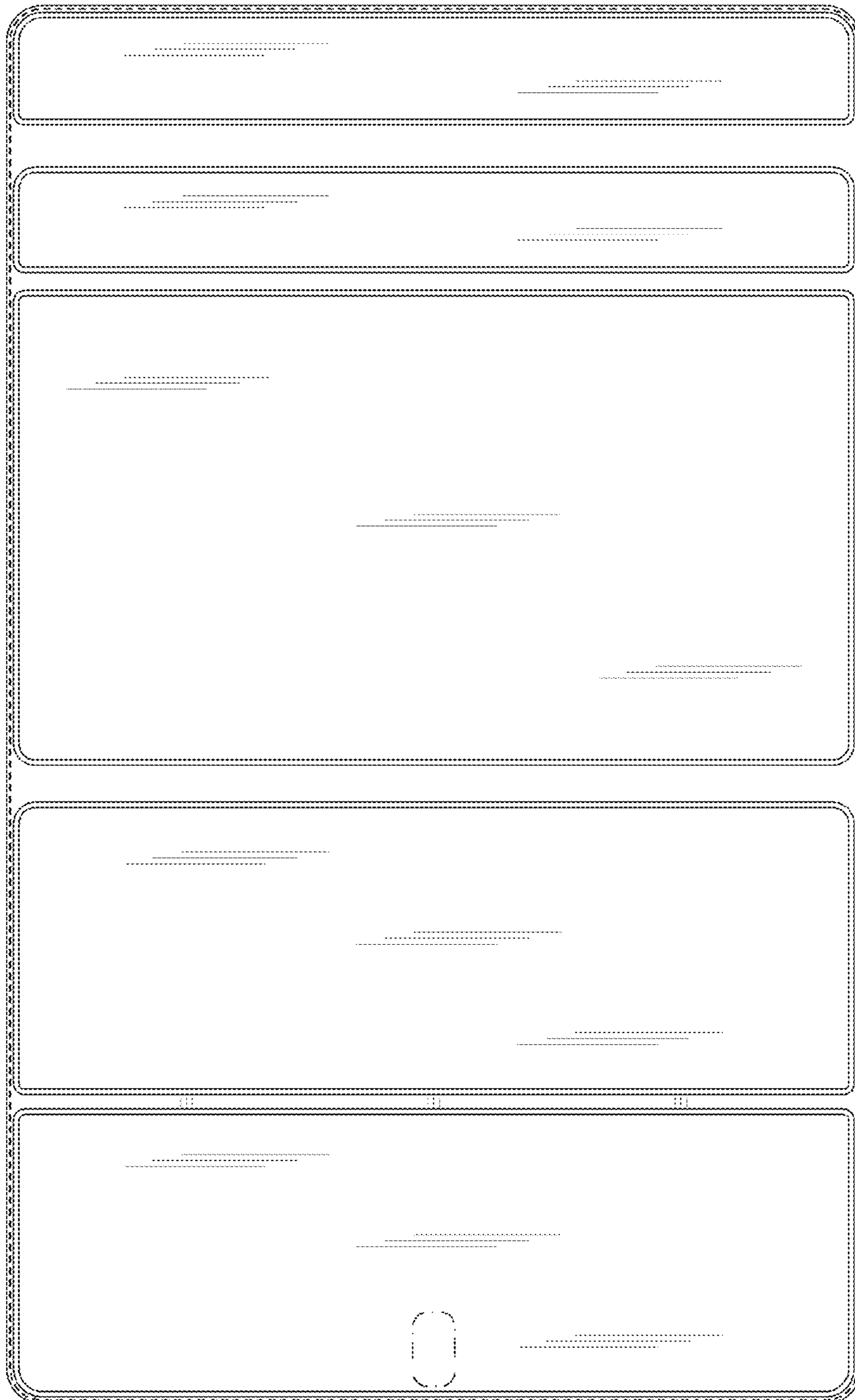


FIG. 9

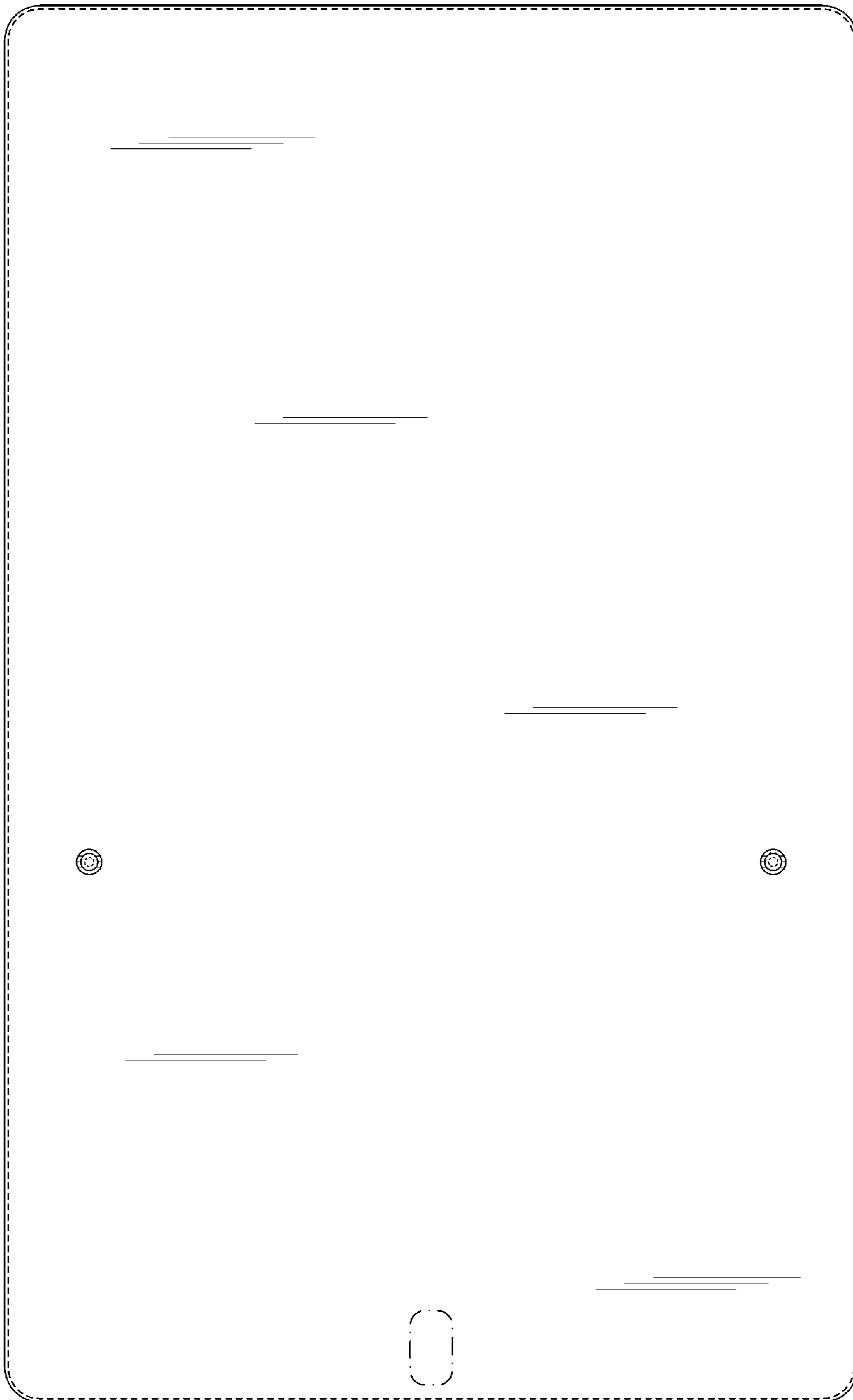


FIG. 10



FIG. 11

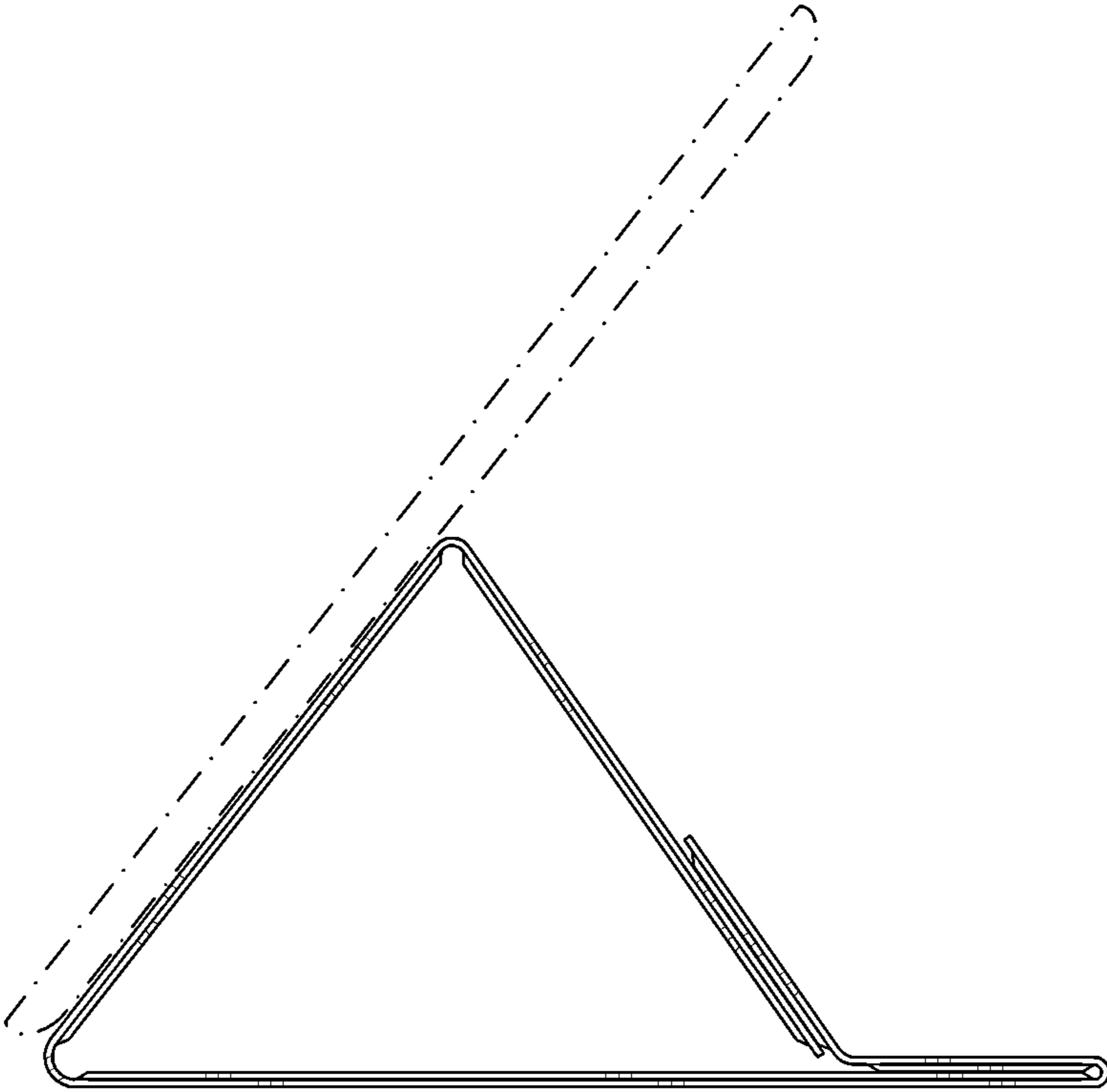


FIG. 12

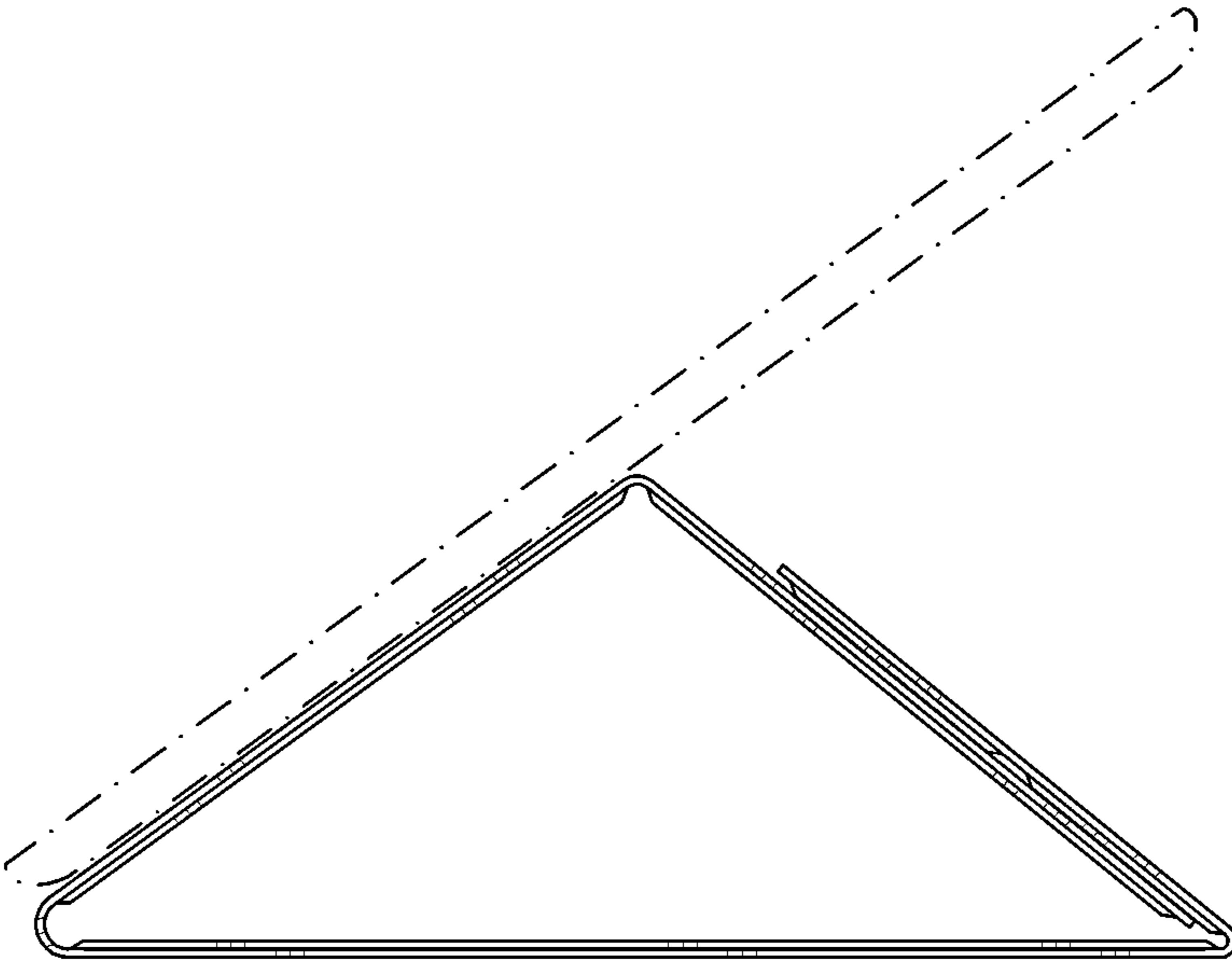


FIG. 13

