



US00D734339S

(12) **United States Design Patent**
Zhou et al.

(10) **Patent No.:** **US D734,339 S**
(45) **Date of Patent:** **** Jul. 14, 2015**

(54) **INDICIA SCANNER**

(71) Applicant: **Hand Held Products, Inc.**, Fort Mill, SC (US)

(72) Inventors: **Peng Zhou**, Suzhou (CN); **Timothy R. Fitch**, Syracuse, NY (US); **Hao Xu**, Suzhou (CN)

(73) Assignee: **Hand Held Products, Inc.**, Fort Mill, SC (US)

(**) Term: **14 Years**

(21) Appl. No.: **29/492,903**

(22) Filed: **Jun. 4, 2014**

(30) **Foreign Application Priority Data**

Dec. 5, 2013 (CN) 2013 3 0600382

(51) **LOC (10) Cl.** **14-02**

(52) **U.S. Cl.**
USPC **D14/428**

(58) **Field of Classification Search**

USPC D14/420, 426-430, 453, 346, 341, 347, D14/412, 138; D13/107, 184; 358/473; 235/462.43, 462.45, 462.47, 462.48, 235/462.44, 462.46, 487, 472.01, 472.02, 235/145 A, 145 R; D10/78; 324/426; D3/273; 710/73; D18/7; 361/679, 728, 361/679.56; 382/313, 321; 455/575.1, 561, 455/572; 345/156, 168, 169, 172, 173, 87; 705/17, 18, 22-25

CPC G06F 1/626; G06F 1/1626; G06F 1/1656; G06F 1/1632; G06F 1/1684; G06F 1/1635; G06F 8/63; G06F 17/30091; G06F 9/4401; G06K 7/10881; G06K 7/1098; G06K 7/10722; G06K 7/1404; G06K 7/0004; G06K 7/10633; G06K 7/10851; G06K 7/1091; G06K 7/1092; G06K 7/1093; G06K 7/10; G06K 7/109; G06K 7/1417; G06K 9/228; G06K 17/0022; G06K 17/00; G06K 2207/1011; G06K 2207/1013; G06K 2207/1016; G06K

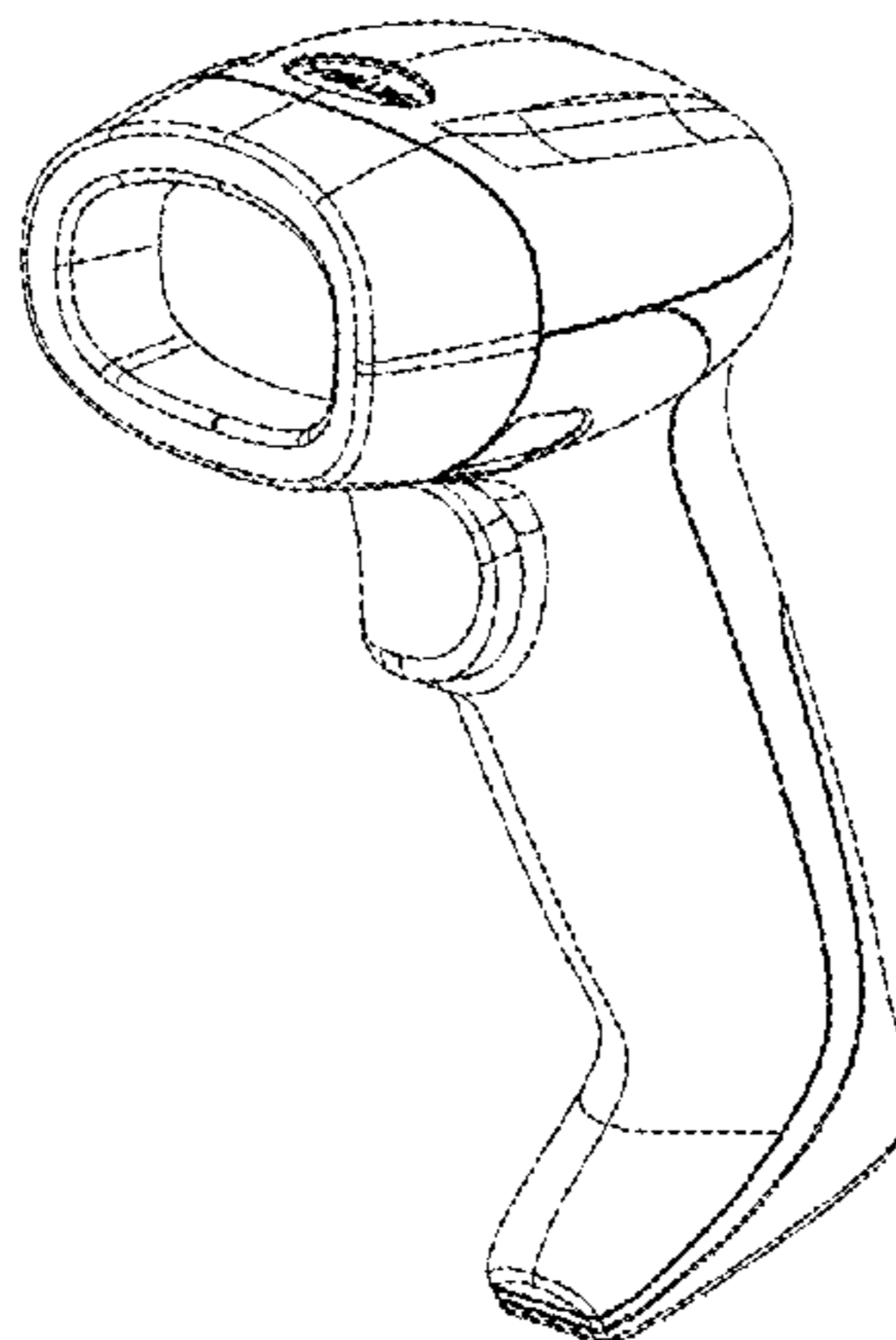
2207/1018; G06K 2017/0051; G06K 2017/0067; G06K 2007/10524; G07G 1/0081; G07G 1/009; G06Q 20/20; G06Q 20/201; G06Q 20/202; G06Q 20/203; G06Q 20/30; G06Q 20/32; G06Q 20/322; G06Q 20/4014; G06Q 10/087; H04N 1/00127; H04N 1/00135; H04N 1/00326; H04N 1/00334; H04N 1/00307; H04N 1/107; H04N 2201/0084; H04N 2101/00; H04M 1/0249; H04M 1/0262; H04M 1/0266; H04M 1/18; H04M 1/23; H04M 1/236; H04B 1/3827; H04B 1/3833; H04B 1/3877; H04B 1/3883; H04B 1/3888; H04B 2001/3894; H01M 2/1066

See application file for complete search history.

(56) **References Cited**

U.S. PATENT DOCUMENTS

D362,435	S	*	9/1995	Charych et al.	D14/428
5,475,206	A	*	12/1995	Reddersen et al.	235/462.39
5,850,078	A	*	12/1998	Giordano et al.	235/462.27
D414,171	S	*	9/1999	Swift et al.	D14/428
6,000,619	A	*	12/1999	Reddersen et al.	235/462.45
D418,500	S	*	1/2000	Giordano et al.	D14/429
D446,524	S	*	8/2001	Bontly et al.	D14/426
6,321,990	B1	*	11/2001	Giordano et al.	235/472.01
6,352,204	B2	*	3/2002	Hattersley et al.	235/472.01
D459,728	S	*	7/2002	Roberts et al.	D14/428
6,442,180	B1	*	8/2002	Gurrieri et al.	372/9
D470,145	S	*	2/2003	Schlieffers et al.	D14/428
6,517,003	B2	*	2/2003	Vassura et al.	235/472.01
D518,057	S	*	3/2006	Johnson et al.	D14/428
D538,285	S	*	3/2007	MacGregor et al.	D14/428
D541,283	S	*	4/2007	MacGregor et al.	D14/428
D556,761	S	*	12/2007	MacGregor et al.	D14/428
D562,825	S	*	2/2008	Fitch et al.	D14/426
D570,843	S	*	6/2008	Mazzone et al.	D14/428
D574,832	S	*	8/2008	MacGregor et al.	D14/428
7,461,790	B2	*	12/2008	McQueen et al.	235/454
D588,596	S	*	3/2009	Mazzone et al.	D14/428
D603,408	S	*	11/2009	Fitch	D14/426
D606,544	S	*	12/2009	Di Bari et al.	D14/428
D614,625	S	*	4/2010	Fitch et al.	D14/426
8,028,913	B2	*	10/2011	Liu et al.	235/455
8,186,597	B1	*	5/2012	Fletcher	235/472.01
8,296,754	B2	*	10/2012	Fitch	717/168
8,376,233	B2	*	2/2013	Horn et al.	235/462.25
D677,258	S	*	3/2013	Mistkawi	D14/428
8,390,909	B2	*	3/2013	Plesko	359/199.3



8,421,604	B2 *	4/2013	Bellows et al.	340/12.51	2012/0097744	A1 *	4/2012	Drzymala et al.	235/462.21
8,424,768	B2 *	4/2013	Rueblinger et al.	235/462.48	2012/0111946	A1 *	5/2012	Golant	235/470
D682,277	S *	5/2013	Tasselli et al.	D14/428	2012/0228382	A1 *	9/2012	Havens et al.	235/462.1
D683,764	S *	6/2013	Ridl et al.	D14/492	2012/0287332	A1 *	11/2012	Fjellstad et al.	348/362
8,469,275	B2 *	6/2013	Dahari	235/462.08	2012/0319645	A1 *	12/2012	O'Donnell et al.	320/108
D687,856	S *	8/2013	Haug	D14/489	2013/0001290	A1 *	1/2013	Trajkovic et al.	235/375
D692,004	S *	10/2013	Man	D14/428	2013/0043312	A1 *	2/2013	Van Horn	235/462.1
D692,892	S *	11/2013	Mistkawi	D14/426	2013/0070322	A1 *	3/2013	Fritz et al.	359/201.1
8,657,199	B2 *	2/2014	Barkan et al.	235/462.42	2013/0200158	A1 *	8/2013	Feng et al.	235/462.36
D702,238	S *	4/2014	Alegiani et al.	D14/428	2013/0214048	A1 *	8/2013	Wilz, Sr.	235/462.1
8,833,660	B1 *	9/2014	Slutsky et al.	235/462.25	2013/0292474	A1 *	11/2013	Xian et al.	235/462.26
8,870,074	B1 *	10/2014	Gannon	235/472.01	2013/0292478	A1 *	11/2013	Wang et al.	235/472.01
8,910,872	B2 *	12/2014	Barkan et al.	235/462.42	2013/0306730	A1 *	11/2013	Brady et al.	235/455
2001/0045466	A1 *	11/2001	Bontly	235/472.01	2013/0306734	A1 *	11/2013	Xian et al.	235/462.33
2002/0056755	A1 *	5/2002	Canini et al.	235/462.48	2013/0313325	A1 *	11/2013	Wilz et al.	235/462.25
2002/0096566	A1 *	7/2002	Schwartz et al.	235/462.42	2013/0327834	A1 *	12/2013	Hennick et al.	235/462.36
2002/0125323	A1 *	9/2002	Marrs et al.	235/462.45	2014/0048684	A1 *	2/2014	Barkan et al.	250/208.1
2002/0148902	A1 *	10/2002	Schlieffers	235/472.01	2014/0059414	A1 *	2/2014	He et al.	715/222
2004/0094627	A1 *	5/2004	Parker et al.	235/472.01	2014/0089121	A1 *	3/2014	Kaminsky et al.	705/23
2004/0134990	A1 *	7/2004	Fitch et al.	235/472.01	2014/0091147	A1 *	4/2014	Evans et al.	235/472.02
2005/0023358	A1 *	2/2005	Byun et al.	235/462.45	2014/0117092	A1 *	5/2014	Vinogradov et al.	235/462.21
2006/0027657	A1 *	2/2006	Ninnink et al.	235/454	2014/0144978	A1 *	5/2014	Sun et al.	235/375
2006/0131419	A1 *	6/2006	Nunnink	235/472.02	2014/0361082	A1 *	12/2014	Xian et al.	235/455
2007/0091332	A1 *	4/2007	Nunnink	358/1.6	2015/0034724	A1 *	2/2015	He	235/462.08
2007/0119939	A1 *	5/2007	Epshteyn et al.	235/462.08					
2007/0176003	A1 *	8/2007	Brock	235/462.24					
2007/0199996	A1 *	8/2007	He et al.	235/462.43					
2008/0156880	A1 *	7/2008	Vinogradov	235/462.42					
2008/0179402	A1 *	7/2008	Barkan et al.	235/462.41					
2008/0191022	A1 *	8/2008	Barkan et al.	235/462.01					
2008/0265035	A1 *	10/2008	Vinogradov et al.	235/462.41					
2008/0290169	A1 *	11/2008	Gurevich et al.	235/462.2					
2009/0050701	A1 *	2/2009	Wang et al.	235/462.41					
2009/0078773	A1 *	3/2009	Carlson et al.	235/462.24					
2009/0078774	A1 *	3/2009	He	235/462.41					
2009/0084847	A1 *	4/2009	He et al.	235/455					
2009/0084849	A1 *	4/2009	He et al.	235/462.01					
2009/0140052	A1 *	6/2009	Liu et al.	235/462.42					
2009/0218403	A1 *	9/2009	Joseph et al.	235/462.21					
2009/0218405	A1 *	9/2009	Joseph et al.	235/462.42					
2009/0272807	A1 *	11/2009	Vinogradov	235/462.01					
2010/0308116	A1 *	12/2010	Sani et al.	235/472.01					
2011/0069877	A1 *	3/2011	Vincenzi	382/135					
2011/0073658	A1 *	3/2011	Vassura et al.	235/472.01					
2011/0121077	A1 *	5/2011	Joseph et al.	235/462.11					
2011/0127334	A1 *	6/2011	Shi et al.	235/462.35					
2011/0127335	A1 *	6/2011	He et al.	235/462.41					
2011/0290886	A1 *	12/2011	Carlson	235/462.24					
2011/0290889	A1 *	12/2011	Tamburrini et al.	235/470					
2011/0297853	A1 *	12/2011	Liu et al.	250/566					
2012/0029994	A1 *	2/2012	Barkan et al.	705/14.25					
2012/0048940	A1 *	3/2012	Chaumont et al.	235/462.21					

* cited by examiner

Primary Examiner — Susan Moon Lee
(74) Attorney, Agent, or Firm — Additon, Higgins & Pendleton, P.A.

(57) **CLAIM**

The ornamental design for an indicia scanner, as shown and described.

DESCRIPTION

FIG. 1 is a perspective view of an indicia scanner;
FIG. 2 is a front elevation view thereof;
FIG. 3 is a rear elevation view thereof;
FIG. 4 is a left side elevation view thereof;
FIG. 5 is a right side elevation view thereof;
FIG. 6 is a top plan view thereof;
FIG. 7 is a bottom plan view thereof;
FIG. 8 is another perspective view thereof;
FIG. 9 is another perspective view thereof; and,
FIG. 10 is another perspective view thereof.

1 Claim, 10 Drawing Sheets

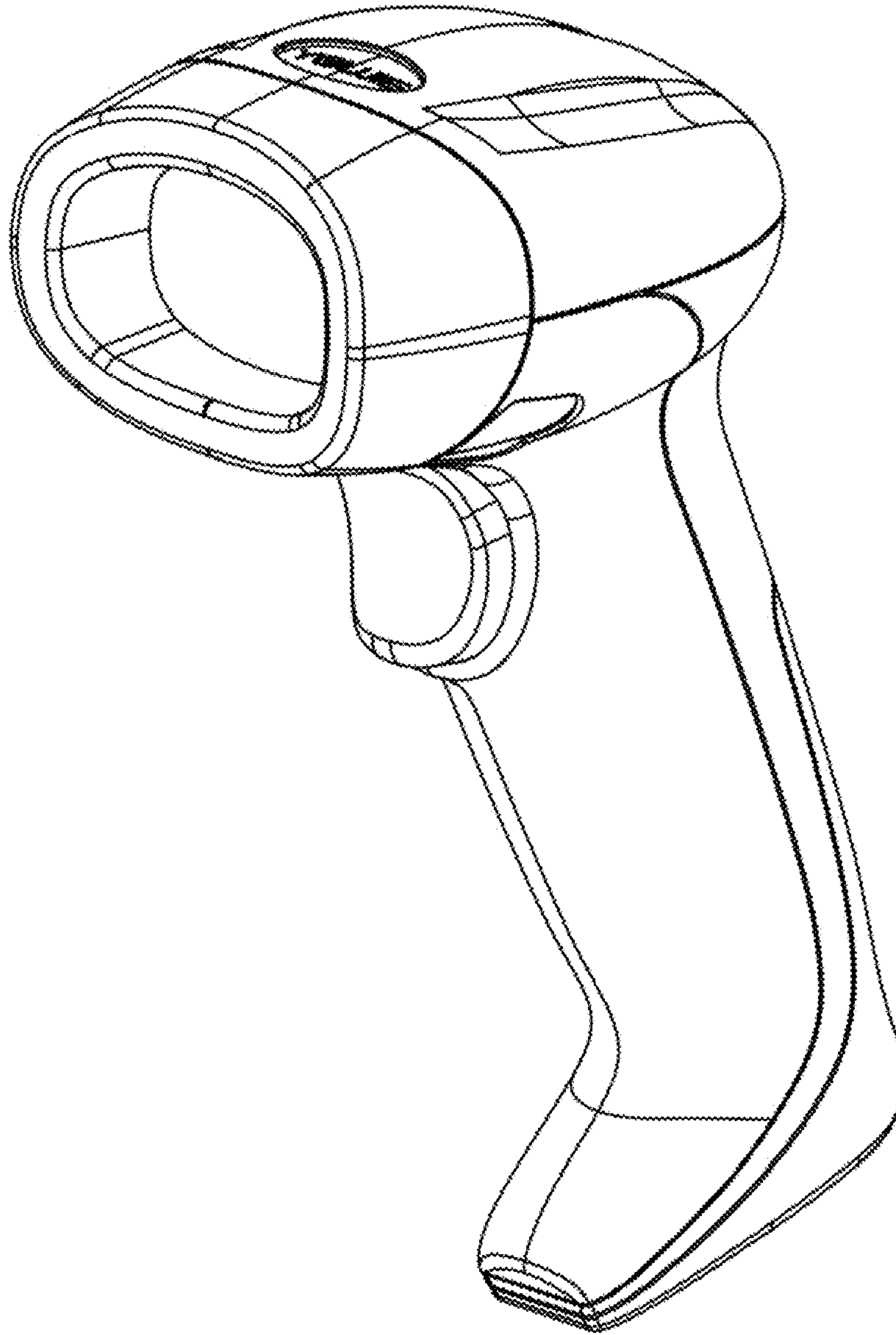


Figure 1

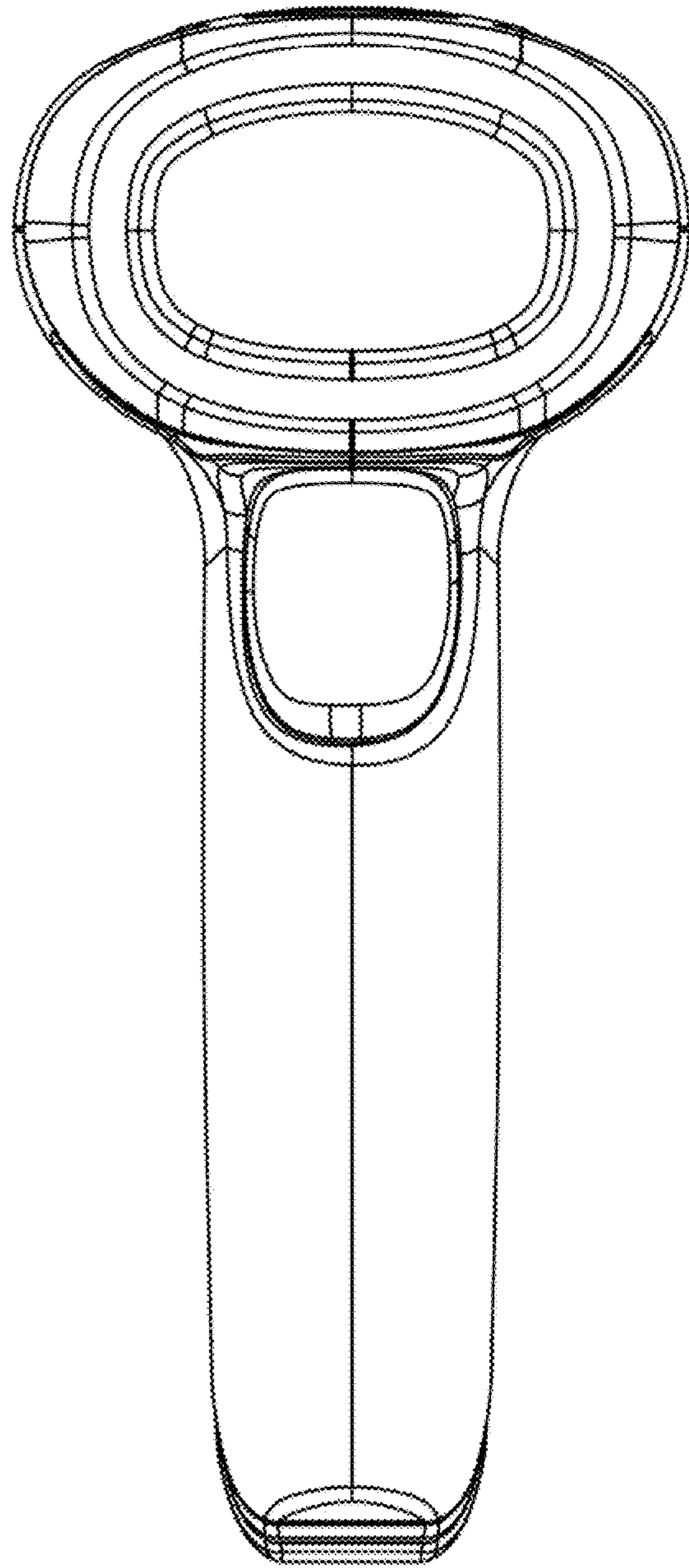


Figure 2

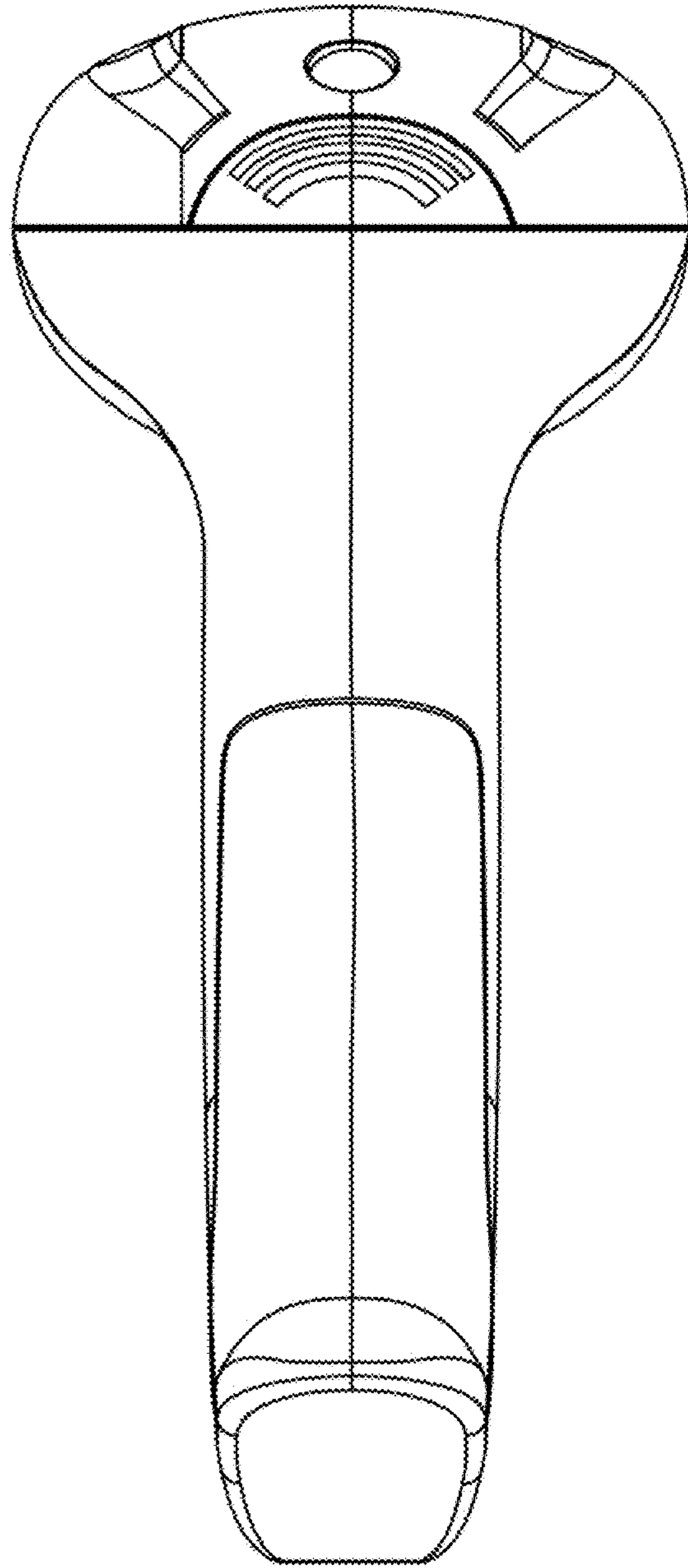


Figure 3

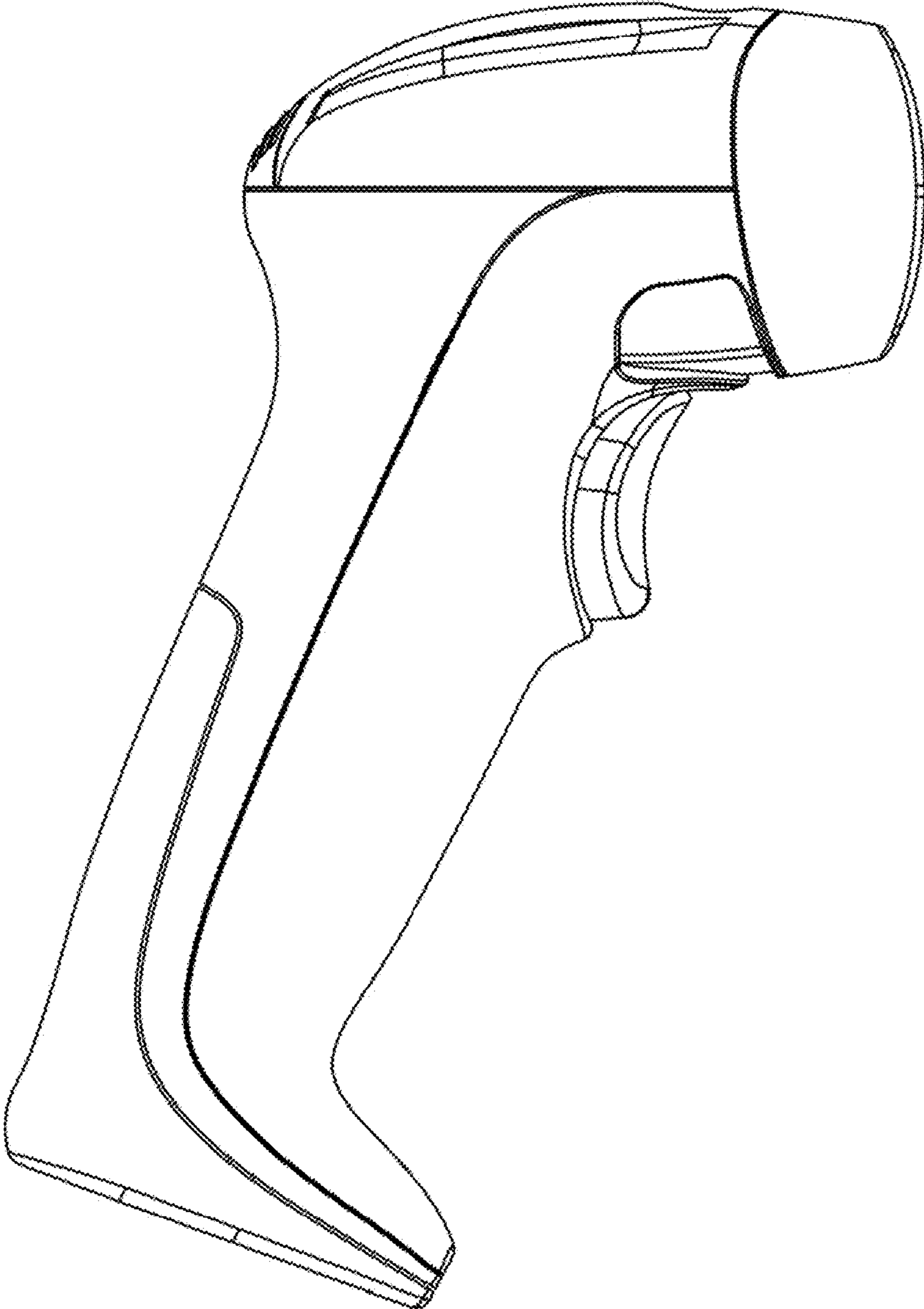


Figure 4

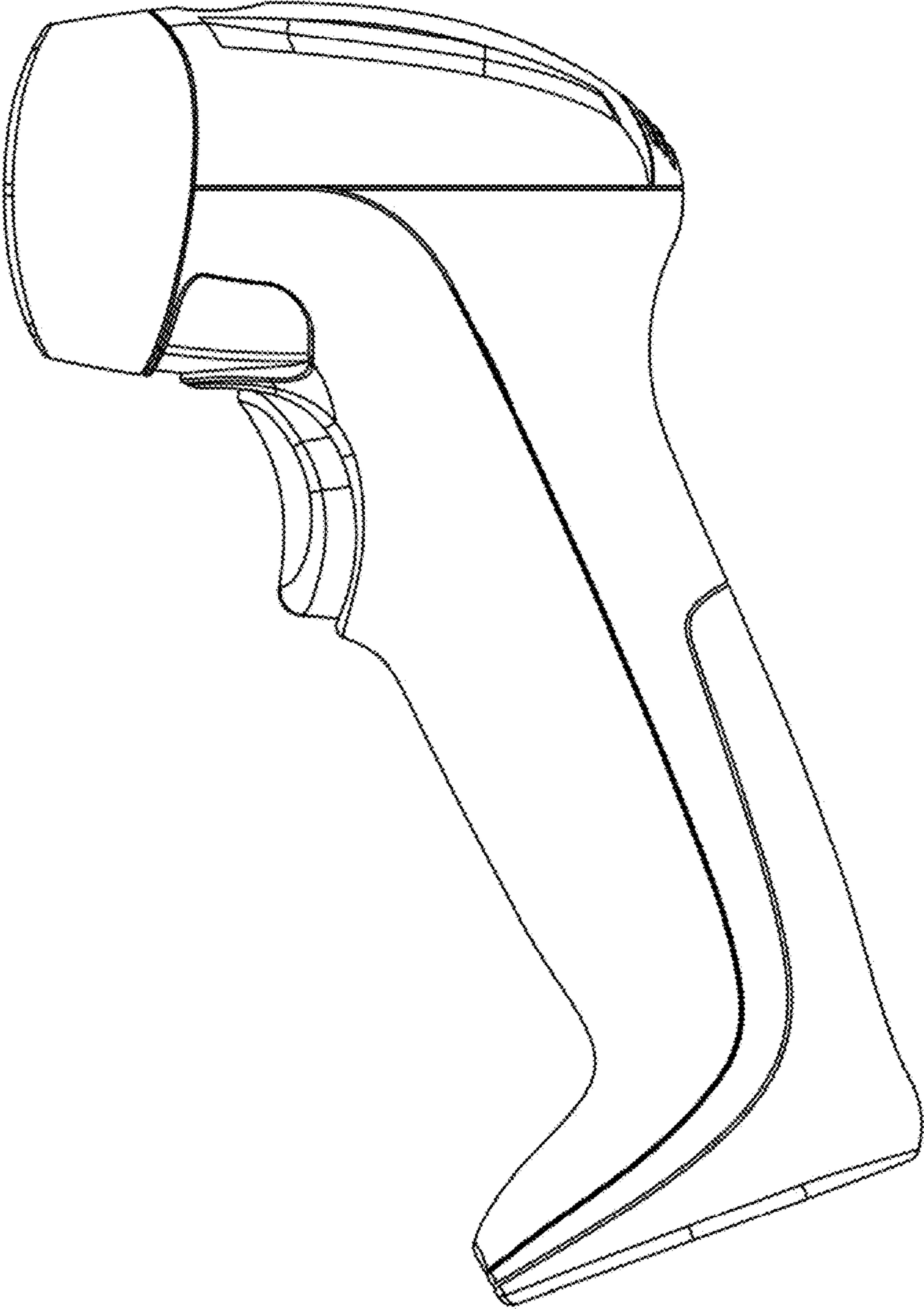


Figure 5

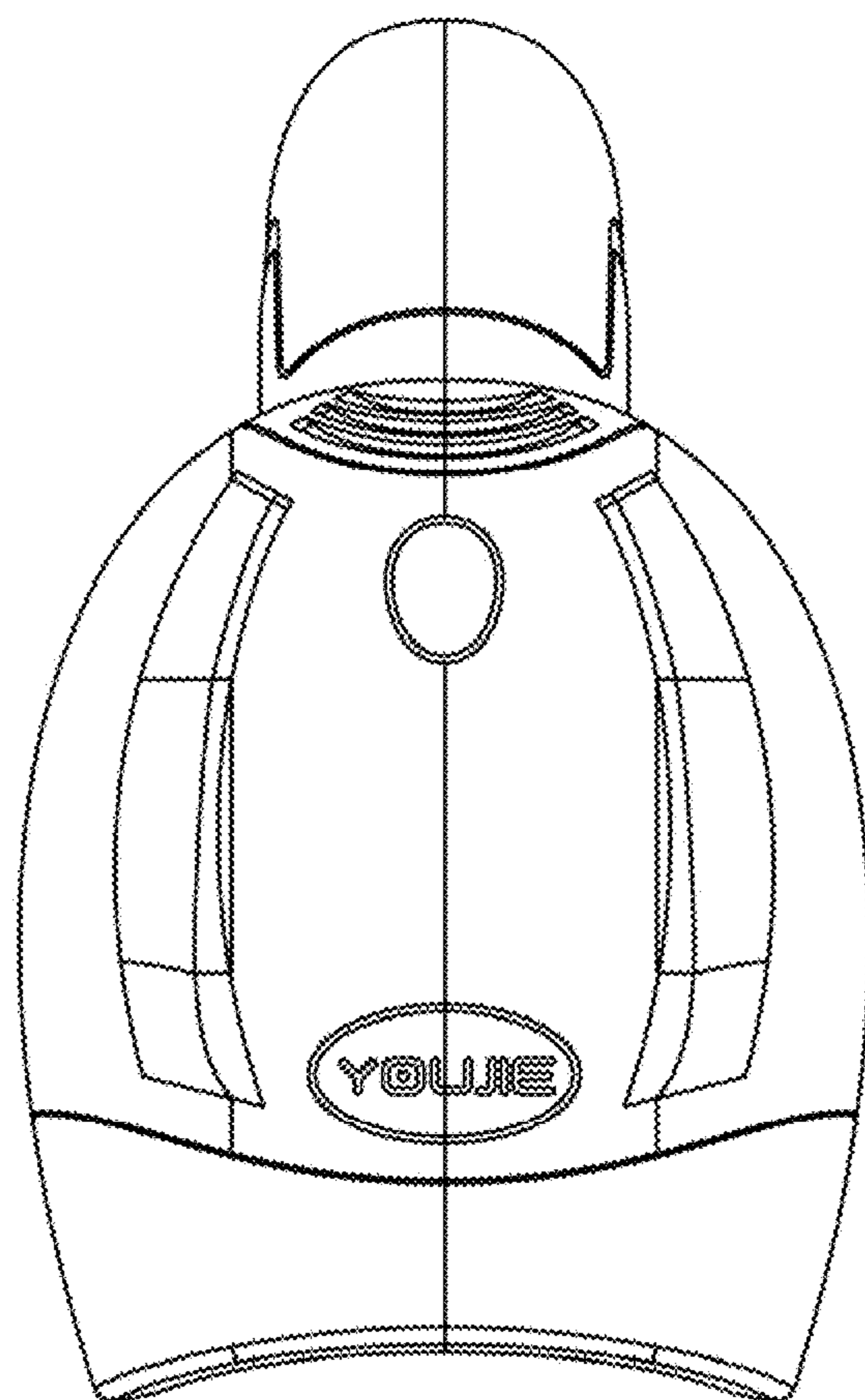


Figure 6

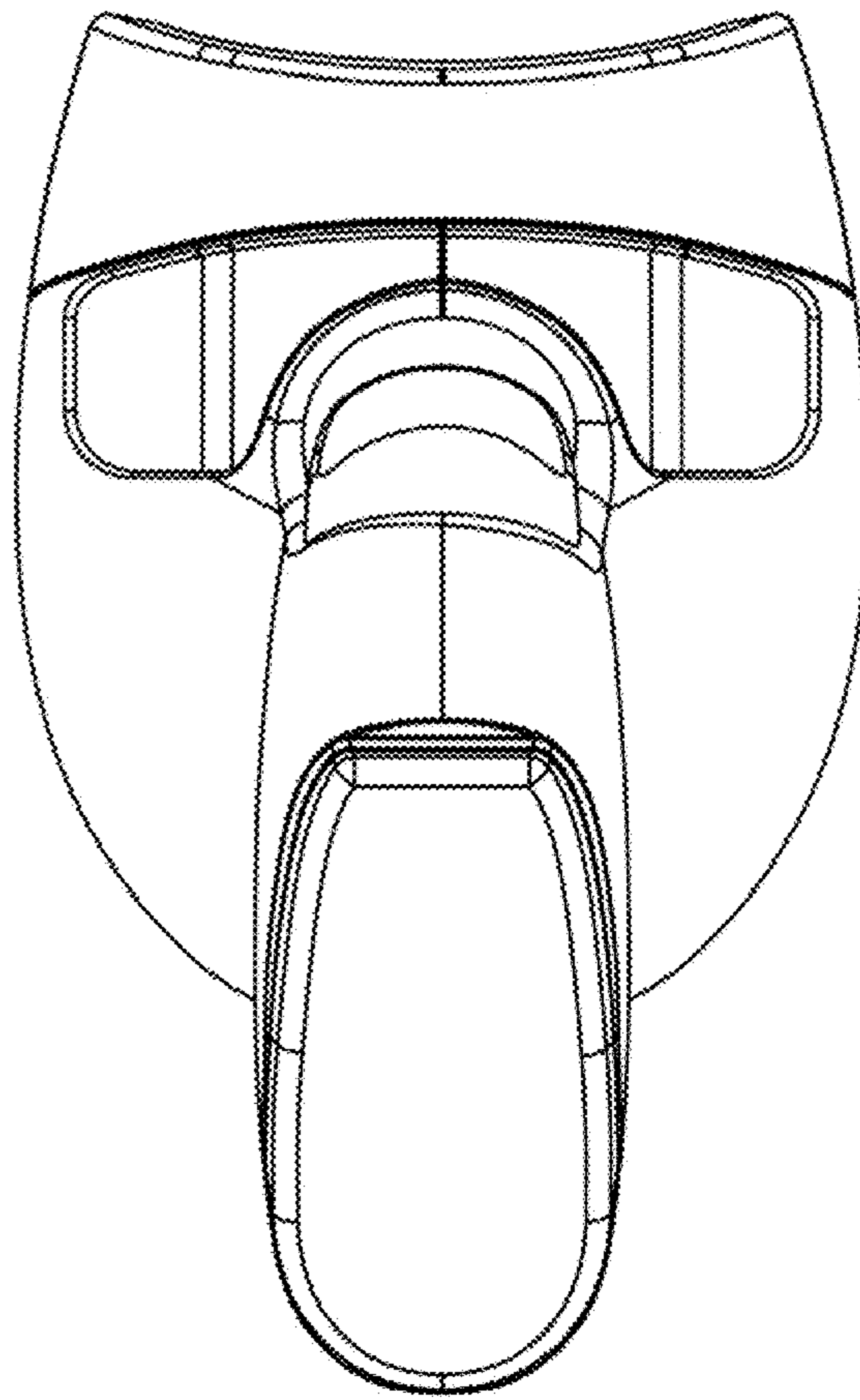


Figure 7

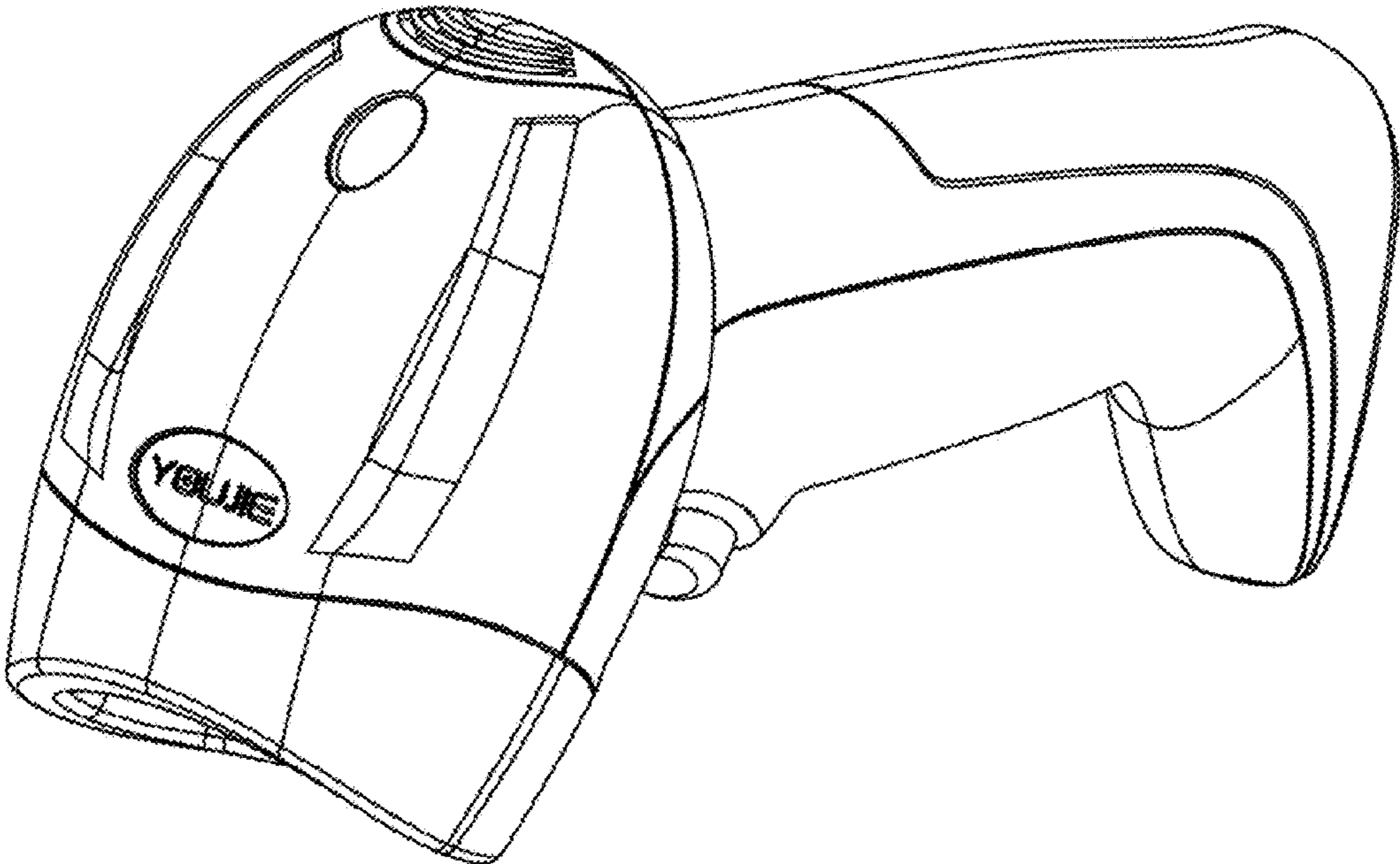


Figure 8

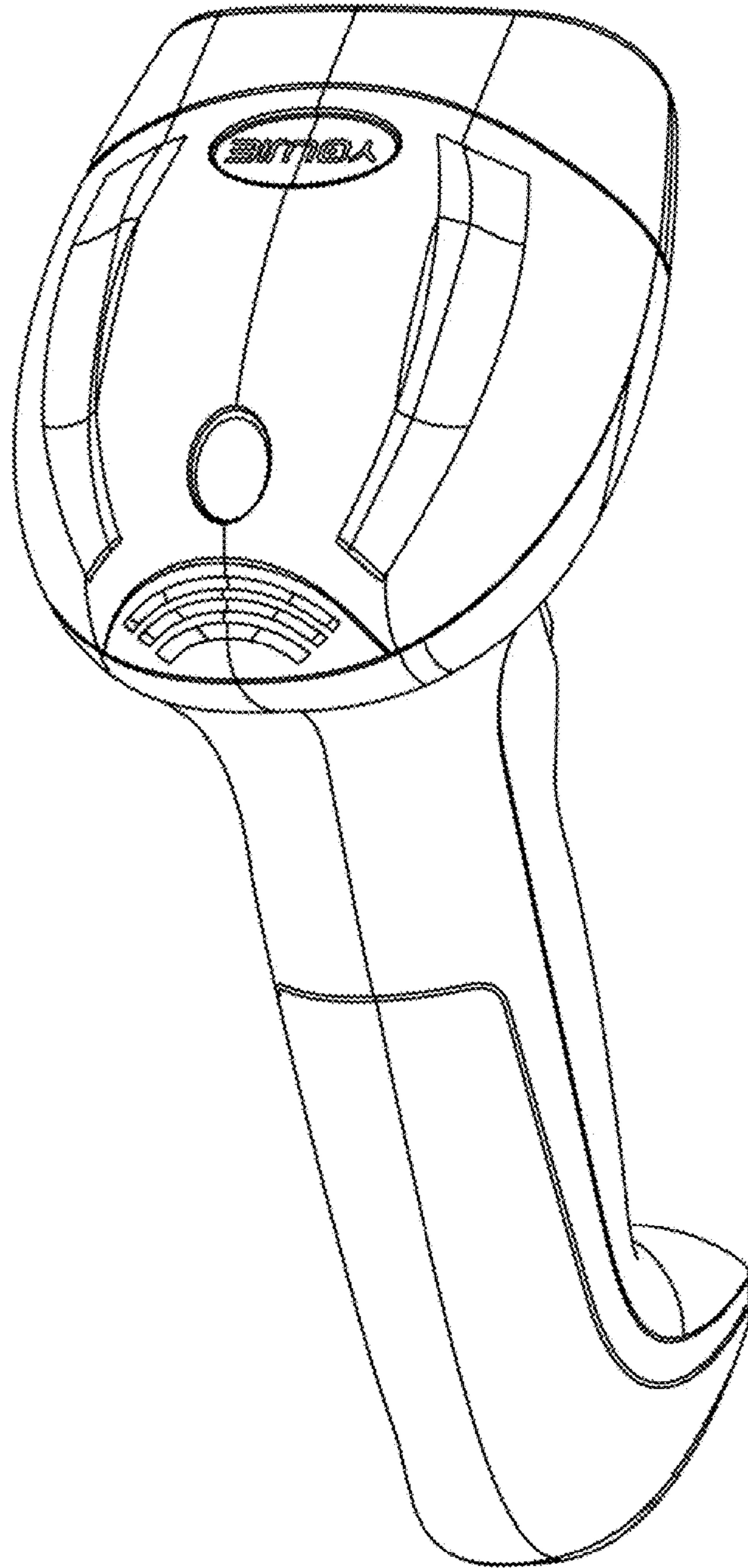


Figure 9

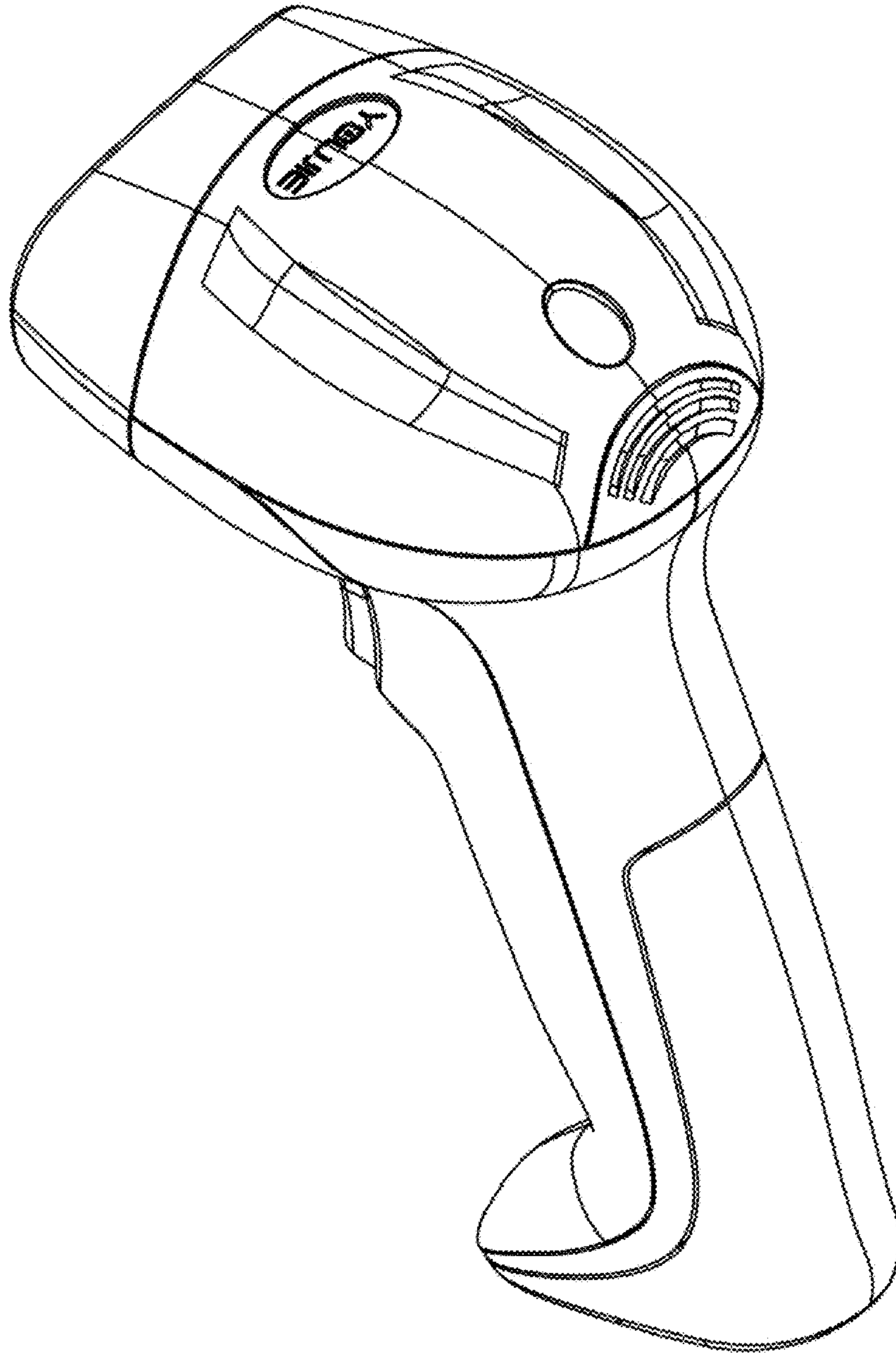


Figure 10