



US00D734338S

(12) **United States Design Patent**
Nakagawa

(10) **Patent No.:** **US D734,338 S**
(45) **Date of Patent:** **** Jul. 14, 2015**

(54) **SCANNER**

(71) Applicant: **BROTHER INDUSTRIES, LTD.**,
Nagoya-shi, Aichi-ken (JP)

(72) Inventor: **Ryoichi Nakagawa**, Kiyosu (JP)

(73) Assignee: **BROTHER INDUSTRIES, LTD.**,
Nagoya (JP)

(**) Term: **14 Years**

(21) Appl. No.: **29/491,323**

(22) Filed: **May 20, 2014**

(30) **Foreign Application Priority Data**

Apr. 4, 2014 (JP) 2014-7438

(51) **LOC (10) Cl.** **14-02**

(52) **U.S. Cl.**
USPC **D14/421**

(58) **Field of Classification Search**
USPC D14/421-425; D18/55, 49, 46, 40,
D18/36-39, 41, 44, 45, 47, 48, 50-54, 56;
235/462, 455, 470, 462.43, 482, 483;
358/474, 486, 488, 496, 497, 498, 452,
358/449, 451, 453, 1.13; 318/685, 696;
355/81, 75; 399/405, 367, 379, 380;
382/217; 715/209, 222, 226, 274;
400/613, 613.1-613.4, 690.1-690.4,
400/691-694

CPC H04N 1/00; H04N 1/12; H04N 1/00013;
H04N 1/00015; H04N 1/00018; H04N
1/00026; H04N 1/00557; H04N 1/00564;
H04N 1/00567; H04N 1/0057; H04N 1/00572;
H04N 1/00586; H04N 1/00588; H04N
1/00591; H04N 1/00594; H04N 1/00596;
H04N 1/00604; H04N 1/00519; H04N
1/00559; H04N 1/1013; H04N 1/10; H04N
1/00551; H04N 1/00278; H04N 2201/0456;
H04N 2201/0446; H04N 2201/00; H04N
2201/0094; G03G 15/0142; G03G 15/605;
G03G 15/602; B65H 5/26; B65H 5/30;

B65H 5/36; B65H 7/00; B65H 2402/515;
B65H 2402/31; B65H 2511/20; B65H
2511/414; B65H 2513/42; B65H 2801/39;
B65H 2801/31; B65H 2215/00189; B65H
2215/00194; B65H 2215/00198; B65H
2215/00202; B65H 2215/00206; B65H
2215/20; B65H 2301/00; B65H 2220/04;
B65H 3/5261

See application file for complete search history.

(56) **References Cited**

U.S. PATENT DOCUMENTS

D194,815 S * 3/1963 Graves D18/36
3,155,031 A * 11/1964 Ingves et al. 101/19

(Continued)

FOREIGN PATENT DOCUMENTS

JP D-1386502 7/2011

OTHER PUBLICATIONS

U.S. Appl. No. 29/491,324, filed May 20, 2014 in the name of
Ryoichi Nakagawa et al.

(Continued)

Primary Examiner — Susan Moon Lee
(74) *Attorney, Agent, or Firm* — Oliff PLC

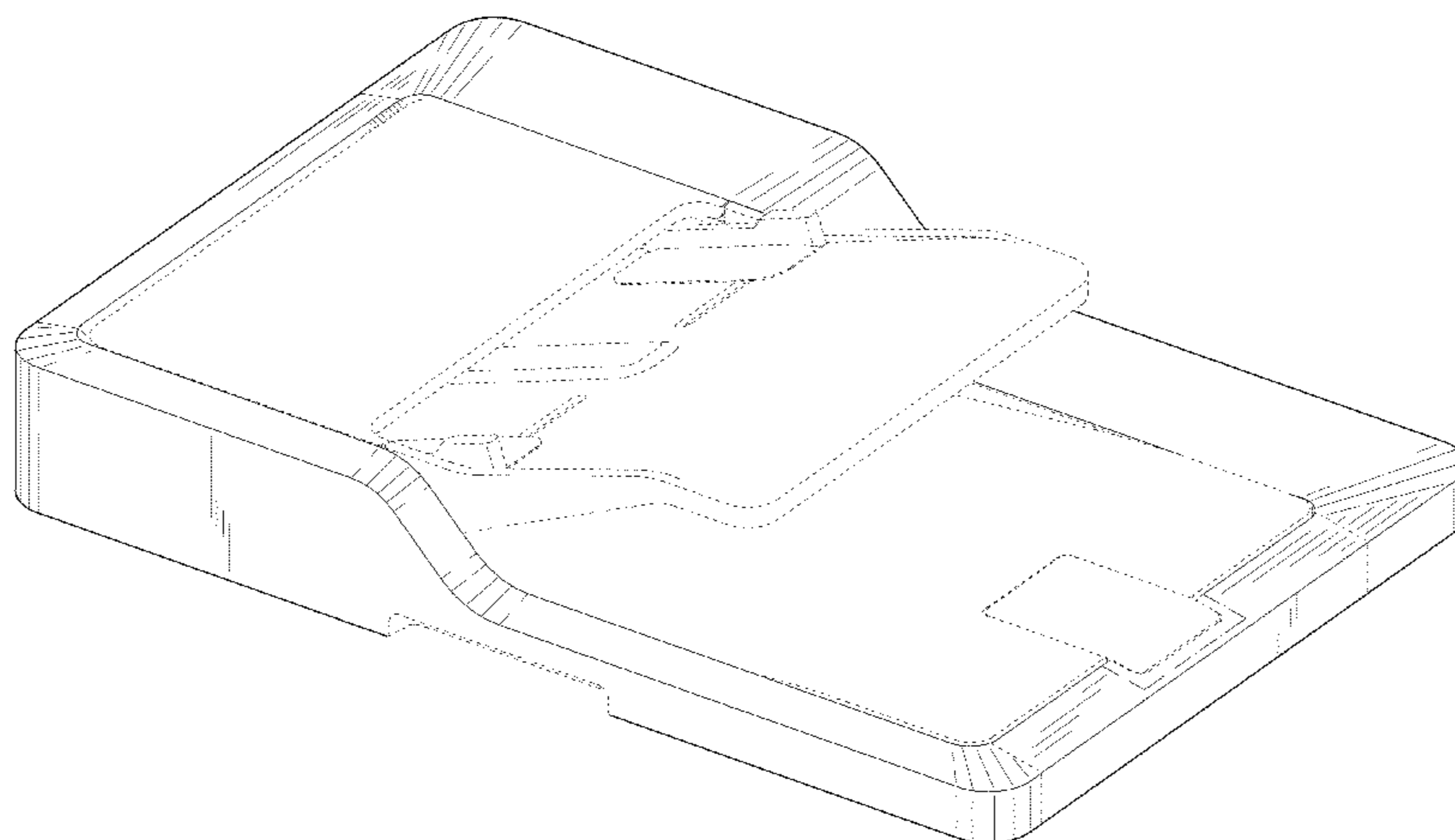
(57) **CLAIM**

The ornamental design for a scanner, as shown and
described..

DESCRIPTION

FIG. 1 is a perspective view of a scanner;
FIG. 2 is a front view thereof;
FIG. 3 is a top view thereof;
FIG. 4 is a right-side view thereof;
FIG. 5 is a left-side view thereof;
FIG. 6 is a rear view thereof; and,
FIG. 7 is a bottom view thereof.
Broken lines and entirely unshaded portions contained within
broken lines are not claimed. Dot-dash boundary lines indi-
cate the border at which disclaimed portions terminate and
claimed portions begin.

1 Claim, 6 Drawing Sheets



(56)

References Cited

U.S. PATENT DOCUMENTS

D227,034	S	*	5/1973	Derby et al.	D18/49
D234,005	S	*	12/1974	Yagi et al.	D18/49
D263,962	S	*	4/1982	Kurozumi	D18/49
D265,655	S	*	8/1982	Goto	D18/38
D272,830	S	*	2/1984	Hara et al.	D18/49
D276,238	S	*	11/1984	Kosako et al.	D18/49
D278,347	S	*	4/1985	Kawazu	D18/49
D279,783	S	*	7/1985	Jordan et al.	D18/55
D280,906	S	*	10/1985	Imada	D18/37
D282,667	S	*	2/1986	Hara et al.	D18/49
D283,625	S	*	4/1986	Goto	D18/49
4,674,735	A	*	6/1987	DuBois et al.	271/10.13
D295,185	S	*	4/1988	Tokuda	D18/49
D298,948	S	*	12/1988	Ishii et al.	D18/49
D299,833	S	*	2/1989	Hirata	D18/49
D303,547	S	*	9/1989	Katada	D18/49
D310,238	S	*	8/1990	Hirata	D18/49
D310,239	S	*	8/1990	Hirata	D18/49
4,955,595	A	*	9/1990	Kawano et al.	271/9.09
D311,755	S	*	10/1990	Aoyama et al.	D18/49
D311,909	S	*	11/1990	Chen	D14/420
D314,789	S	*	2/1991	Hirata et al.	D18/49
D316,268	S	*	4/1991	Miyajima et al.	D18/49
D319,072	S	*	8/1991	Tanizawa et al.	D18/49
D322,626	S	*	12/1991	Imai	D18/49
D324,536	S	*	3/1992	Isomoto et al.	D18/49
D326,867	S	*	6/1992	Kwak	D18/55
D328,758	S	*	8/1992	Isomoto	D18/49
D329,869	S	*	9/1992	Suzuki	D18/49
D337,605	S	*	7/1993	Tashiro et al.	D18/49
D337,606	S	*	7/1993	Khovaylo	D18/49
D344,095	S	*	2/1994	Isomoto et al.	D18/49
D350,765	S	*	9/1994	Hiroki et al.	D18/36
D350,769	S	*	9/1994	Hattori et al.	D18/49
D354,078	S	*	1/1995	Hiroki	D18/49
D354,307	S	*	1/1995	Yamamoto	D18/49
D367,495	S	*	2/1996	Chen et al.	D18/49
D374,457	S	*	10/1996	Naruki	D18/49
D380,204	S	*	6/1997	Kogoh et al.	D14/425
D384,693	S	*	10/1997	Kenmochi et al.	D18/49
D403,696	S	*	1/1999	Kobayashi et al.	D18/40
D403,698	S	*	1/1999	Kobayashi et al.	D18/49
D404,421	S	*	1/1999	Takeuchi	D18/49
D405,110	S	*	2/1999	Yamamoto et al.	D18/54
D421,043	S	*	2/2000	Shibata et al.	D18/39
D421,622	S	*	3/2000	Khovaylo et al.	D18/49
D430,595	S	*	9/2000	Khovaylo et al.	D18/49
D435,859	S	*	1/2001	Khovaylo et al.	D18/49
D436,122	S	*	1/2001	Isomoto	D18/49
D436,369	S	*	1/2001	Sasaki et al.	D18/39
D437,348	S	*	2/2001	Hirose et al.	D18/55
D437,878	S	*	2/2001	Nakada et al.	D18/40
D449,063	S	*	10/2001	Khovaylo et al.	D18/49
D453,785	S	*	2/2002	Grossmann	D18/48
D465,801	S	*	11/2002	Falk et al.	D18/39
D472,266	S	*	3/2003	Khovaylo et al.	D18/49
D478,082	S	*	8/2003	Khovaylo et al.	D14/425
D483,401	S	*	12/2003	LaBarbera	D18/53
D483,402	S	*	12/2003	LaBarbera et al.	D18/53
D493,817	S	*	8/2004	Yoshida et al.	D18/39
D494,211	S	*	8/2004	Yoshida et al.	D18/39
D497,942	S	*	11/2004	Yoshida et al.	D18/53
D497,943	S	*	11/2004	LaBarbera	D18/53
D502,210	S	*	2/2005	Katori et al.	D18/39
D515,131	S	*	2/2006	Hwang et al.	D18/55
D516,081	S	*	2/2006	Takimoto	D14/463
D528,154	S	*	9/2006	Hattori	D18/54
D528,155	S	*	9/2006	Katayama	D18/55
D530,737	S	*	10/2006	Lim et al.	D18/50
D531,175	S	*	10/2006	Moskaluk et al.	D14/300
D532,043	S	*	11/2006	Park et al.	D18/50
D532,449	S	*	11/2006	Tjin Wong Joe et al.	D18/55
D532,450	S	*	11/2006	Smith et al.	D18/55
D532,451	S	*	11/2006	Ito et al.	D18/55
D533,218	S	*	12/2006	Gant et al.	D18/55
D534,175	S	*	12/2006	Orihashi et al.	D14/463
D534,578	S	*	1/2007	Katayama et al.	D18/55
D535,686	S	*	1/2007	Ishio	D18/39
D536,372	S	*	2/2007	Lim et al.	D18/53
D539,283	S	*	3/2007	McIntyre	D14/425
D539,839	S	*	4/2007	Brinkly et al.	D18/49
D544,532	S	*	6/2007	Matsumoto et al.	D18/50
D545,357	S	*	6/2007	Hattori et al.	D18/55
D550,768	S	*	9/2007	Hoshiya et al.	D18/55
D551,700	S	*	9/2007	Park et al.	D18/55
D555,194	S	*	11/2007	Smith et al.	D18/55
D555,195	S	*	11/2007	Park et al.	D18/55
D556,256	S	*	11/2007	Matsumoto	D18/55
D556,257	S	*	11/2007	Yamaguchi	D18/55
D557,737	S	*	12/2007	Falk et al.	D18/53
D557,738	S	*	12/2007	Falk	D18/53
D558,823	S	*	1/2008	Alfonso et al.	D18/55
D558,824	S	*	1/2008	Alfonso et al.	D18/55
D559,897	S	*	1/2008	Suzuki et al.	D18/49
D559,898	S	*	1/2008	Suzuki et al.	D18/49
D561,248	S	*	2/2008	Lee et al.	D18/50
D561,250	S	*	2/2008	Smith et al.	D18/55
D561,251	S	*	2/2008	Tjin Wong Joe et al.	D18/55
D561,824	S	*	2/2008	Park et al.	D18/55
D564,018	S	*	3/2008	Ishii et al.	D18/49
7,338,043	B2	*	3/2008	Sorenson et al.	271/162
D573,633	S	*	7/2008	Laidlaw et al.	D18/55
D574,886	S	*	8/2008	Mase et al.	D18/55
D575,330	S	*	8/2008	Egami et al.	D18/55
D576,201	S	*	9/2008	Yamagata et al.	D18/49
D576,203	S	*	9/2008	Laidlaw et al.	D18/55
D578,568	S	*	10/2008	Chiba et al.	D18/50
D579,490	S	*	10/2008	Laidlaw et al.	D18/55
D579,973	S	*	11/2008	Park et al.	D18/55
D580,483	S	*	11/2008	Park et al.	D18/39
D581,976	S	*	12/2008	Park et al.	D18/55
D584,344	S	*	1/2009	Lee et al.	D18/43
D584,766	S	*	1/2009	Tani	D18/55
D586,384	S	*	2/2009	Yamaguchi et al.	D18/55
D586,385	S	*	2/2009	Kim et al.	D18/55
D589,084	S	*	3/2009	Suzuki et al.	D18/36
D591,302	S	*	4/2009	Yagi et al.	D14/421
D594,508	S	*	6/2009	Joe et al.	D18/55
D595,347	S	*	6/2009	Tjin Wong Joe et al.	D18/55
D596,226	S	*	7/2009	Yamaguchi	D18/55
D596,227	S	*	7/2009	Larson et al.	D18/55
D600,277	S	*	9/2009	Hisatsune	D18/55
D605,222	S	*	12/2009	Yoshioka et al.	D18/55
D606,115	S	*	12/2009	Sato	D18/55
D607,505	S	*	1/2010	Sasaki et al.	D18/55
D608,823	S	*	1/2010	Tomono	D18/55
D609,270	S	*	2/2010	Kato et al.	D18/55
D611,091	S	*	3/2010	Ishikawa et al.	D18/55
D613,791	S	*	4/2010	Yoshioka et al.	D18/55
D613,792	S	*	4/2010	Suzuki et al.	D18/55
D614,235	S	*	4/2010	Nakata	D18/55
D614,693	S	*	4/2010	Kato et al.	D18/50
D616,927	S	*	6/2010	Suzuki et al.	D18/55
D619,645	S	*	7/2010	Sato	D18/49
D619,646	S	*	7/2010	Brown et al.	D18/49
D620,046	S	*	7/2010	Brinkly	D18/49
D621,443	S	*	8/2010	Nishiguchi	D18/53
D622,272	S	*	8/2010	Machida et al.	D14/421
D622,762	S	*	8/2010	Egami et al.	D18/55
D626,588	S	*	11/2010	Kim et al.	D18/39
D633,555	S	*	3/2011	Egami	D18/50
D633,556	S	*	3/2011	Park et al.	D18/55
D634,360	S	*	3/2011	Brown et al.	D18/55
D639,849	S	*	6/2011	Sato et al.	D18/50
D639,851	S	*	6/2011	Penke et al.	D18/55
7,970,337	B2	*	6/2011	Uchida et al.	399/367
D641,778	S	*	7/2011	Lee et al.	D18/55
D642,212	S	*	7/2011	Terenzio et al.	D18/55
D643,464	S	*	8/2011	Sato et al.	D18/55
D645,896	S	*	9/2011	Iwai et al.	D18/50
D647,133	S	*	10/2011	Sato et al.	D18/55
D647,958	S	*	11/2011	Yoshioka et al.	D18/50
D648,376	S	*	11/2011	Asano et al.	D18/50
D649,183	S	*	11/2011	Miyauchi et al.	D18/50

(56)

References Cited

U.S. PATENT DOCUMENTS

8,154,770 B2 * 4/2012 Shiraki et al. 358/401
 D660,350 S * 5/2012 Falk et al. D18/53
 D660,351 S * 5/2012 Larson et al. D18/55
 D661,345 S * 6/2012 Asano et al. D18/50
 D661,728 S * 6/2012 Suzuki et al. D18/50
 D662,130 S * 6/2012 Kitazawa et al. D18/50
 D662,974 S * 7/2012 Suzuki et al. D18/55
 D665,013 S * 8/2012 Ishikawa et al. D18/50
 D666,239 S * 8/2012 Larson et al. D18/55
 D667,035 S * 9/2012 Rapp D15/145
 D667,486 S * 9/2012 Inoue et al. D18/50
 D667,488 S * 9/2012 Inoue et al. D18/55
 D670,326 S * 11/2012 Yoshida D18/55
 D670,328 S * 11/2012 Suzuki et al. D18/55
 D673,213 S * 12/2012 Kim et al. D18/55
 D673,603 S * 1/2013 Suzuki et al. D18/55
 D674,011 S * 1/2013 Sato D18/55
 D674,435 S * 1/2013 Inoue et al. D18/55
 D675,673 S * 2/2013 Sato D18/50
 D676,483 S * 2/2013 Kim et al. D18/50
 D680,163 S * 4/2013 Lim et al. D18/55
 D680,581 S * 4/2013 Nakata et al. D18/50
 D681,721 S * 5/2013 Iwai et al. D18/50
 D681,722 S * 5/2013 Seki et al. D18/50
 D681,723 S * 5/2013 Gilbert et al. D18/55
 D681,726 S * 5/2013 Yonekawa D18/55
 D682,928 S * 5/2013 Kim et al. D18/55
 D683,394 S * 5/2013 Suzuki et al. D18/50
 D685,411 S * 7/2013 Tanaka et al. D18/49
 D685,412 S * 7/2013 Jihoon et al. D18/50
 D685,414 S * 7/2013 Jeong et al. D18/53
 D686,658 S * 7/2013 Matsuno et al. D18/50
 D686,659 S * 7/2013 Tanaka et al. D18/55
 D687,092 S * 7/2013 Suzuki et al. D18/49
 D687,093 S * 7/2013 Klocke et al. D18/50
 D688,742 S * 8/2013 Kim et al. D18/55
 D689,542 S * 9/2013 Klocke et al. D18/50
 D689,543 S * 9/2013 Seki et al. D18/50

8,542,415 B2 * 9/2013 Takeuchi et al. 358/498
 8,542,416 B2 * 9/2013 Takeuchi 358/498
 D691,570 S * 10/2013 Fleischer et al. 1/1
 D692,477 S * 10/2013 Kim et al. D18/53
 D694,316 S * 11/2013 Jihoon et al. D18/50
 D695,339 S * 12/2013 Fukasawa et al. D18/55
 D697,550 S * 1/2014 Nanno et al. D18/50
 D697,966 S * 1/2014 Fukasawa et al. D18/55
 D697,967 S * 1/2014 Fukasawa et al. D18/55
 D698,389 S * 1/2014 Fukasawa et al. D18/55
 D699,725 S * 2/2014 Sato et al. D14/421
 D701,561 S * 3/2014 Jihoon et al. D18/50
 D702,760 S * 4/2014 Kim et al. D18/55
 D705,781 S * 5/2014 Yin et al. D14/421
 D714,861 S * 10/2014 Tsuruoka et al. D18/50
 D718,313 S * 11/2014 Goh et al. D14/421
 D718,383 S * 11/2014 Lo et al. D18/55
 D720,754 S * 1/2015 Chin et al. D14/422
 D721,131 S * 1/2015 Inada D18/50
 2002/0113979 A1 * 8/2002 Rahgozar et al. 358/1.6
 2003/0063332 A1 * 4/2003 Sato 358/474
 2003/0164957 A1 * 9/2003 Komaki 358/1.6
 2003/0179390 A1 * 9/2003 Kitozaki 358/1.6
 2004/0217537 A1 * 11/2004 Ohama 271/3.14
 2006/0023267 A1 * 2/2006 Ikeno et al. 358/474
 2007/0001015 A1 * 1/2007 Suzuki et al. 235/472.02
 2007/0201109 A1 * 8/2007 Osakabe et al. 358/474
 2007/0287566 A1 * 12/2007 Osakabe 475/162
 2009/0315253 A1 * 12/2009 Osakabe et al. 271/121
 2010/0020370 A1 * 1/2010 Ishikawa 358/498
 2011/0157662 A1 * 6/2011 Kozaki 358/488
 2012/0038955 A1 * 2/2012 Ooshio 358/474
 2012/0081761 A1 * 4/2012 Nakamura et al. 358/474
 2013/0114116 A1 * 5/2013 Ikeno et al. 358/474
 2014/0151959 A1 * 6/2014 Oyamada et al. 271/264

OTHER PUBLICATIONS

U.S. Appl. No. 29/491,334, filed May 20, 2014 in the name of Ryoichi Nakagawa.

* cited by examiner

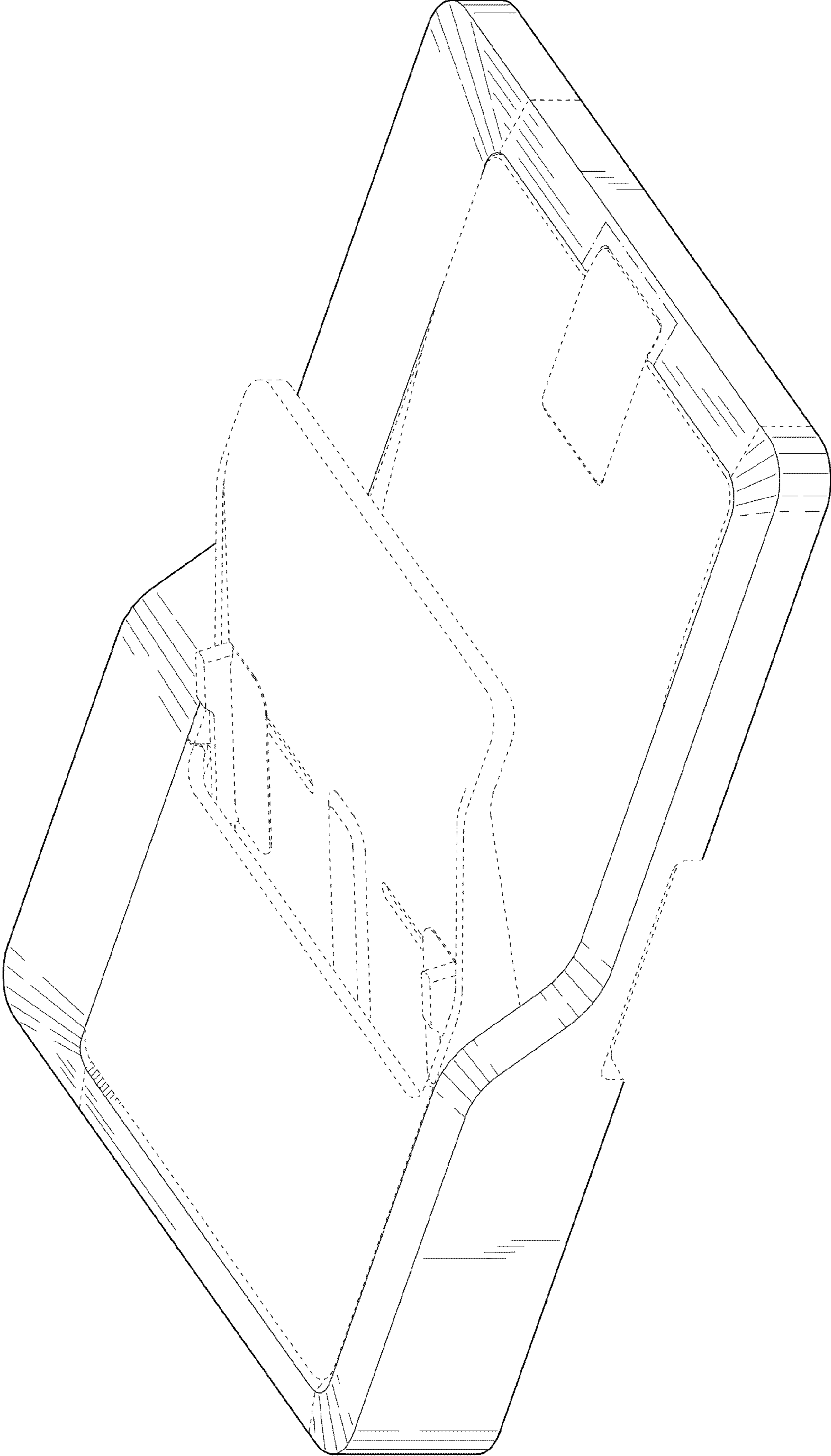


FIG. 1

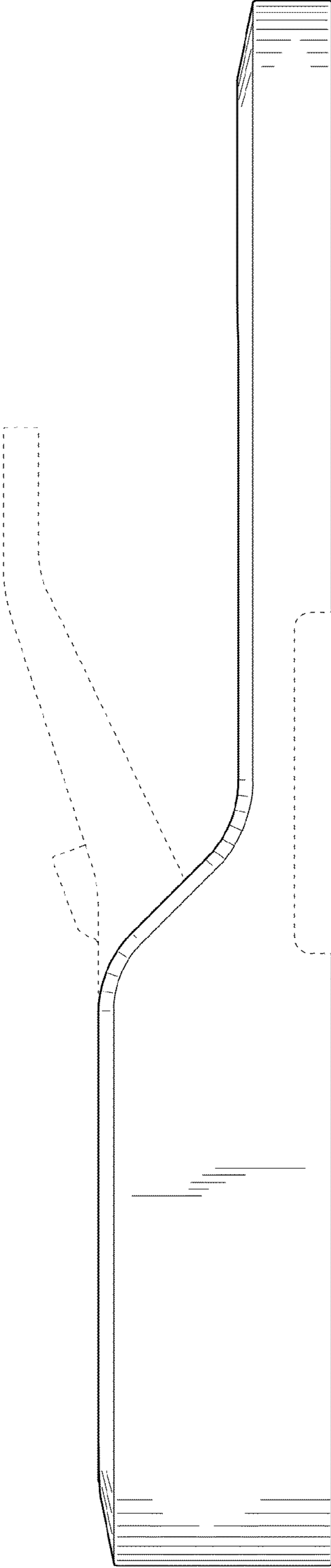


FIG. 2

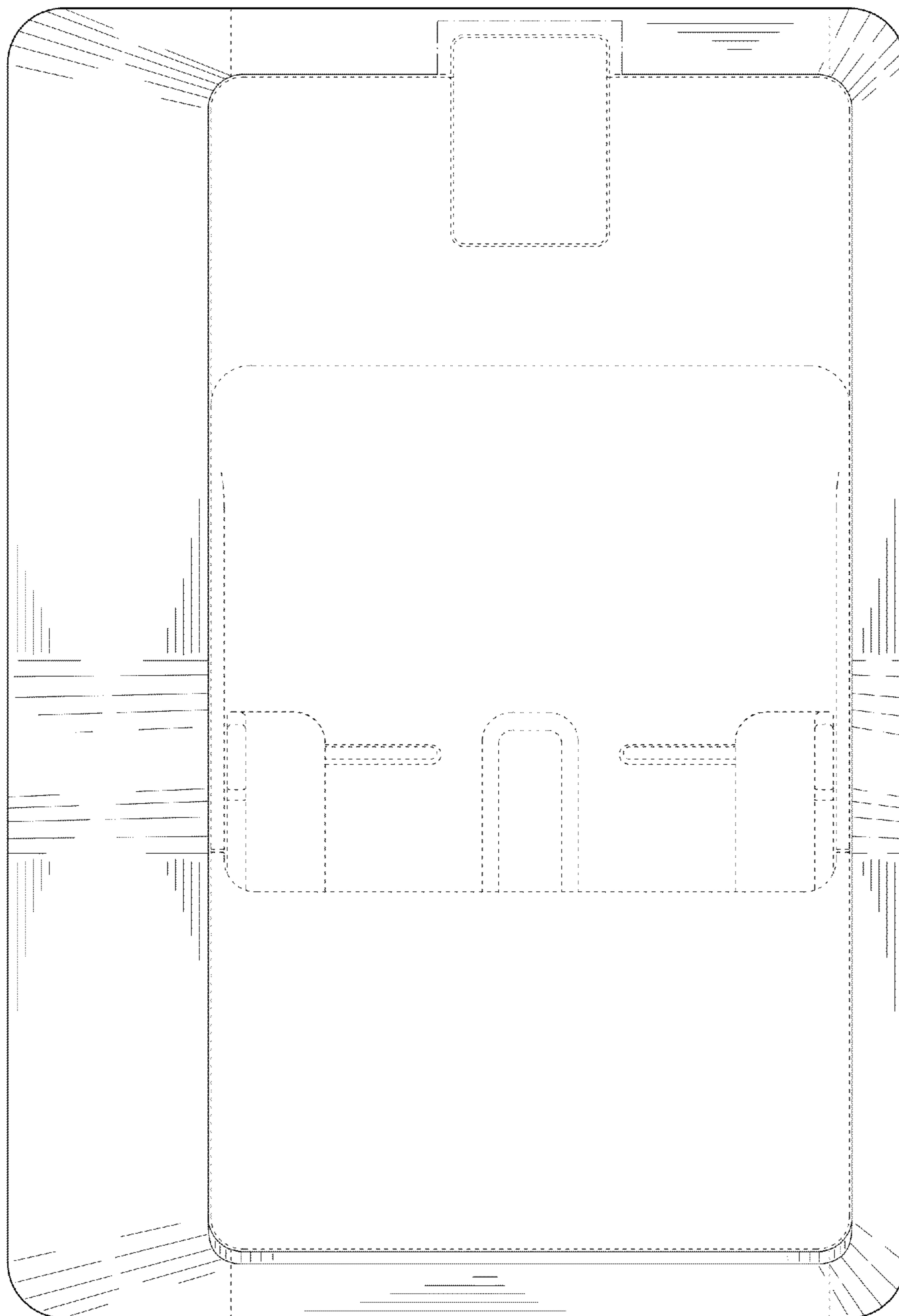


FIG. 3

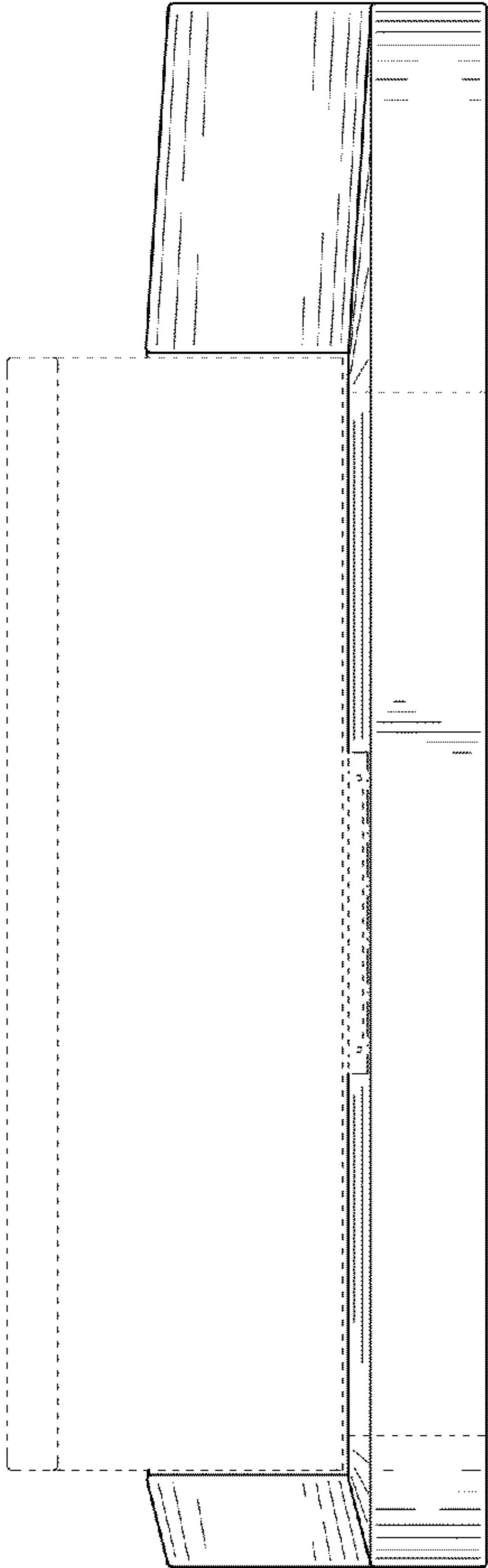


FIG. 4

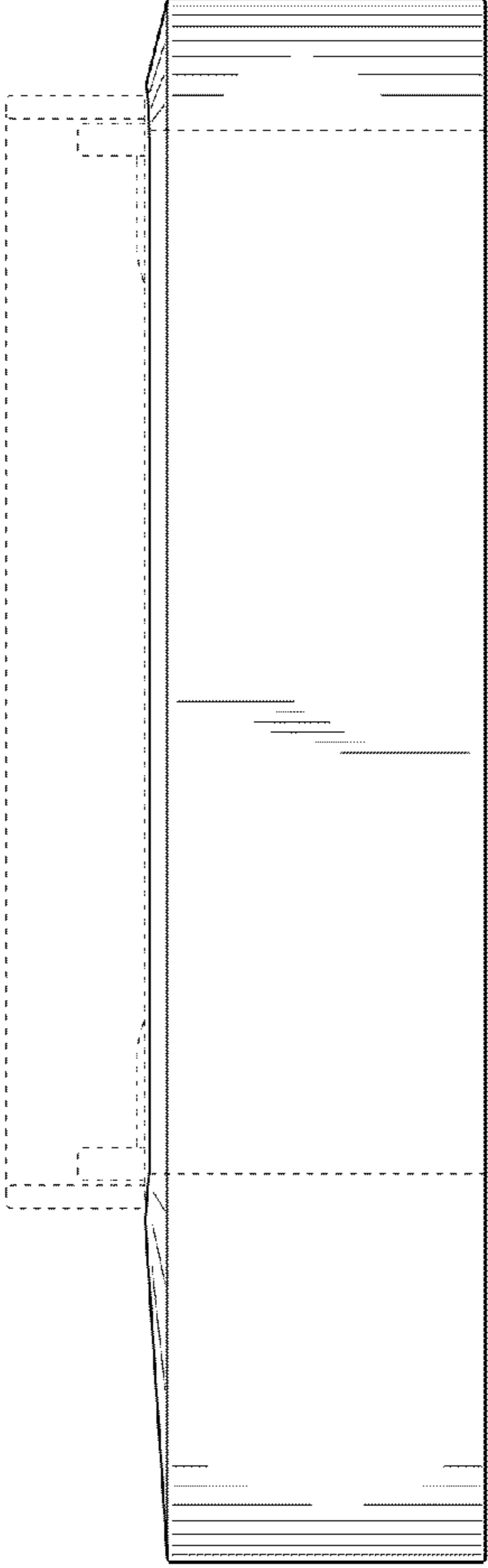


FIG. 5

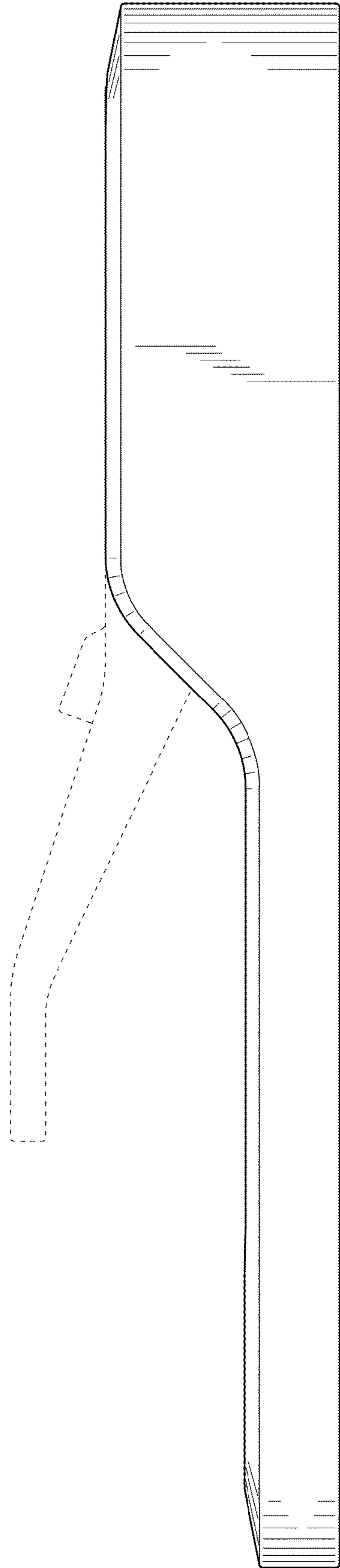


FIG. 6

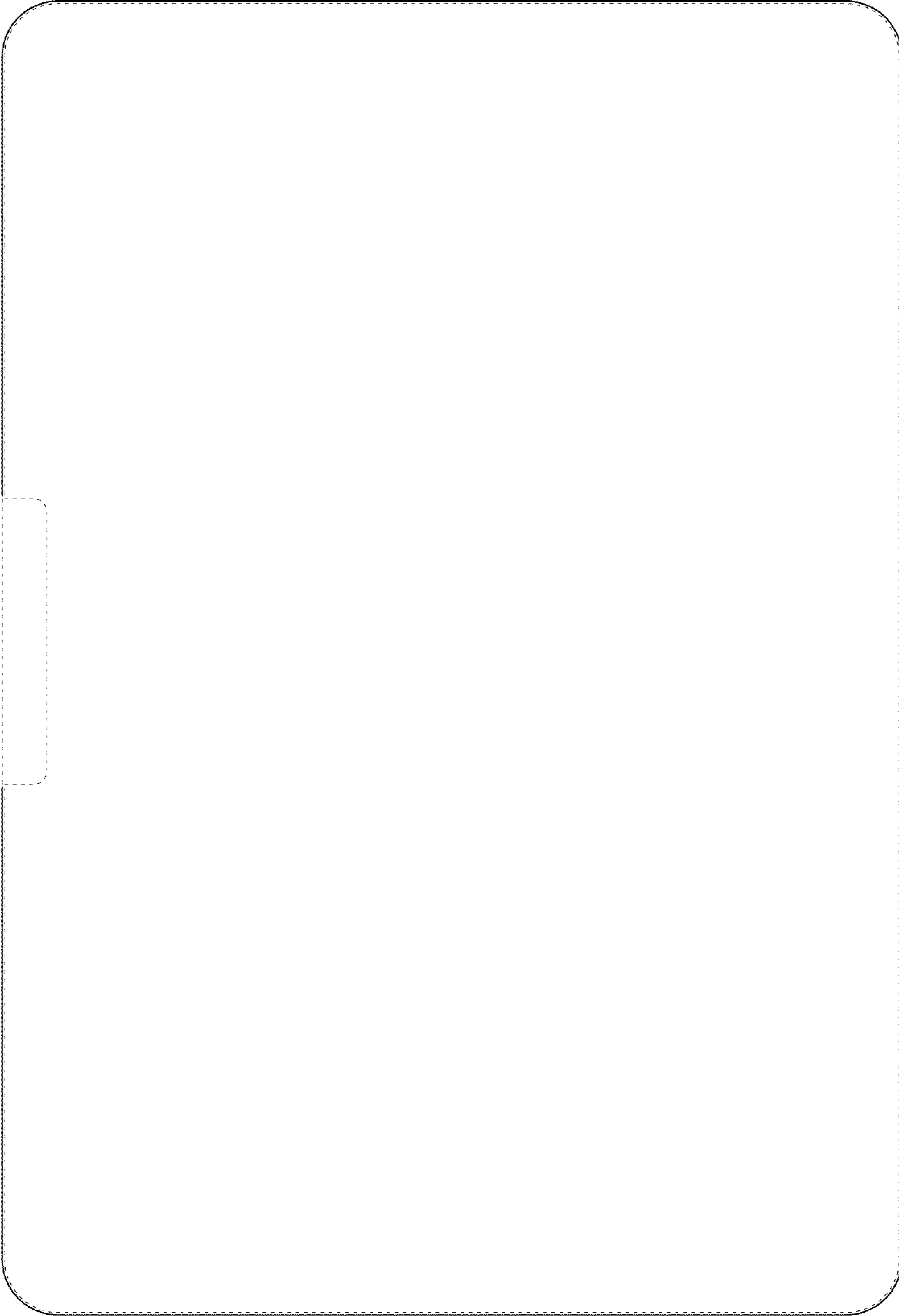


FIG. 7