



US00D734337S

(12) **United States Design Patent**
Volta et al.

(10) **Patent No.:** **US D734,337 S**
(45) **Date of Patent:** **** Jul. 14, 2015**

- (54) **CODED INFORMATION READER**
- (71) Applicant: **Datalogic IP Tech S.r.l.**, Lippo di Calderara di Reno (IT)
- (72) Inventors: **Romano Volta**, Bologna (IT); **Monica Alegiani**, Silvi (IT)
- (73) Assignee: **DATALOGIC IP TECH S.R.L.**, Lippo di Calderara di Reno (BO) (IT)
- (**) Term: **14 Years**
- (21) Appl. No.: **29/503,080**
- (22) Filed: **Sep. 23, 2014**
- (30) **Foreign Application Priority Data**
 - Apr. 1, 2014 (EM) 002437681
 - Jul. 8, 2014 (EM) 002498865
- (51) **LOC (10) Cl.** **14-02**
- (52) **U.S. Cl.**
USPC **D14/420**
- (58) **Field of Classification Search**
USPC D14/420, 426-430, 453; 235/462.01, 235/462.11, 462.43, 462.45, 462.49, 235/472.01, 385, 454; 382/313, 321, 318; 358/473; 250/215, 216; D26/37-50, D26/24; 362/157, 158, 171-174, 183-208; 396/427
CPC G06K 7/10584; G06K 7/10613; G06K 7/10881; G06K 7/109; G06K 7/10693; G06K 7/10871; G06K 7/1096; G06K 7/10; G06K 7/10564; G06K 7/10594; G06K 7/10603; G06K 7/10663; G06K 7/10673; G06K 7/10702; G06K 7/10792; G06K 7/10633; G06K 7/10653; G06K 7/10891; G06K 7/14; G06K 7/1443; G06K 7/10801; G06K 7/10811; G06K 7/10851; G06K 7/10861; G06K 2207/1011; G06K 2207/1012; G06K 2207/1013; G06K 2207/1016; G06K 2207/1017; G06K 2207/1018; G06K 2207/10534; G06K 17/0022; A47F 9/046;

A47F 9/047; G07G 1/0045; G04N 5/23238; G04N 5/2252; G04N 5/2251; G03B 17/02; B25H 5/00; B66F 7/28; G02B 26/10; G02B 26/106; G07F 11/002; G07F 11/02; G06Q 20/343; G06F 2203/0331
See application file for complete search history.

(56) **References Cited**

U.S. PATENT DOCUMENTS

5,198,650 A * 3/1993 Wike, Jr. 235/462.45
D340,253 S * 10/1993 Fedorczak D16/203

(Continued)

OTHER PUBLICATIONS

Datalogic Gryphon™ | GPS4400 On-Counter Presentation Scanner, Dec. 2013, 52 pages.

(Continued)

Primary Examiner — Susan Moon Lee

(74) *Attorney, Agent, or Firm* — Duane Morris LLP

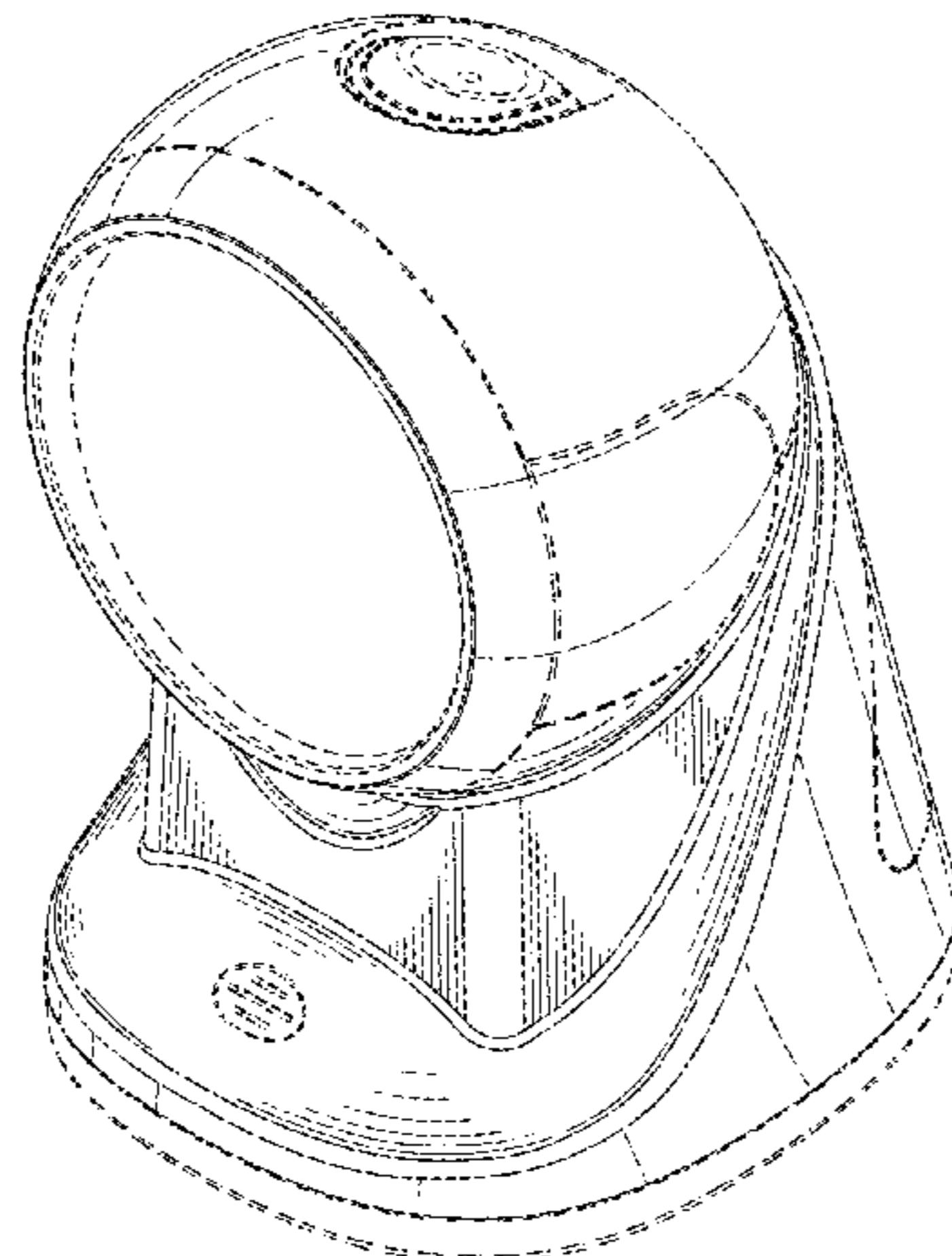
(57) **CLAIM**

We claim the ornamental design for an coded information reader, as shown and described.

DESCRIPTION

FIG. 1 is a perspective front view of a coded information reader according to the present invention.
FIG. 2 is a front elevation view of the coded information reader of FIG. 1.
FIG. 3 is a rear elevation view of the coded information reader of FIG. 1.
FIG. 4 is a top view of the coded information reader of FIG. 1.
FIG. 5 is a bottom view of the coded information reader of FIG. 1.
FIG. 6 is a right side elevation view of the coded information reader of FIG. 1; and,
FIG. 7 is a left side elevation view of the coded information reader of FIG. 1.
Broken lines and entirely unshaded portions contained within broken line are not claimed.

1 Claim, 7 Drawing Sheets



(56)

References Cited

U.S. PATENT DOCUMENTS

D351,149 S * 10/1994 Bontly et al. D14/423
 D359,483 S * 6/1995 Saunders et al. D14/420
 D378,587 S * 3/1997 Kanno et al. D14/420
 D402,677 S * 12/1998 Hiraguchi D16/203
 D408,806 S 4/1999 Schmidt et al.
 D430,587 S * 9/2000 Summit D16/202
 D433,432 S * 11/2000 Prather et al. D16/202
 6,147,701 A * 11/2000 Tamura et al. 348/36
 6,257,492 B1 * 7/2001 Bressler et al. 235/462.43
 6,503,000 B1 * 1/2003 Kim 396/427
 D502,196 S * 2/2005 Miyazaki D16/202
 D511,181 S * 11/2005 Huang et al. D16/202
 D517,585 S * 3/2006 Iino et al. D16/203
 D550,738 S * 9/2007 Hsia et al. D16/203
 D554,171 S * 10/2007 Deng D16/203
 D558,249 S * 12/2007 Hsia D16/203
 D562,372 S * 2/2008 Takahashi D16/202
 D573,622 S * 7/2008 Fisher et al. D16/202
 D583,845 S * 12/2008 Hayashi et al. D16/203
 7,719,610 B2 * 5/2010 Kung et al. 348/373
 D626,580 S * 11/2010 Tzeng D16/202
 D633,931 S * 3/2011 Ham D16/203
 D644,259 S * 8/2011 Barley et al. D16/203
 D660,339 S * 5/2012 Yoshida D16/202
 D690,344 S * 9/2013 Hollinger D16/200
 8,538,254 B2 * 9/2013 Tamura et al. 396/535
 8,764,318 B2 * 7/2014 Wada et al. 396/427
 D719,202 S * 12/2014 Lee D16/202
 D720,752 S * 1/2015 Bleads D14/420
 D721,371 S * 1/2015 Rivera et al. D14/420
 2002/0030107 A1 * 3/2002 Byun et al. 235/462.45
 2003/0097236 A1 * 5/2003 James 702/151
 2005/0040238 A1 * 2/2005 Byun et al. 235/462.43

2005/0206779 A1 * 9/2005 Aoki et al. 348/373
 2006/0017842 A1 * 1/2006 Jun 348/373
 2006/0023113 A1 * 2/2006 Lin 348/373
 2007/0041726 A1 * 2/2007 Lee 396/427
 2007/0292121 A1 * 12/2007 Sato 396/144
 2008/0008467 A1 * 1/2008 Liu 396/427
 2008/0056709 A1 * 3/2008 Huang 396/427
 2008/0231699 A1 * 9/2008 Konishi et al. 348/143
 2009/0251538 A1 * 10/2009 Wada et al. 348/143
 2011/0115973 A1 * 5/2011 Tatewaki 348/373
 2012/0262573 A1 * 10/2012 Bridges 348/135
 2014/0197240 A1 * 7/2014 Mistkawi 235/470

OTHER PUBLICATIONS

Datalogic Magellan™ 800i On Counter Presentation Omnidirectional Bar Code Reader Quick Reference Guide, Oct. 2013, 24 pages.
 Datalogic Magellan™ 1100i Omni-Directional Imaging Scanner Quick Reference Guide, Oct. 2013, 48 pages.
 Opticon OPM2000 Scanner laser omnidirezionale product information, 2 pages (undated).
 Datalogic Magellan™ 1400i Omni-Directional Imaging Scanner Quick Reference Guide, Jan. 2012, 12 pages.
 Datalogic Magellan™ 2200VS Quick Reference Guide, May 2013, 52 pages.
 Datalogic Magellan™ 3200VSi Omni-Directional Imaging Scanner, Jun. 2013, 28 pages.
 Angel POS Omni-Directional Laser Barcode Scanner, http://www.angelpos.ca/Omni-Directional-Laser-Barcode-Scanner_p_66.html, accessed on Sep. 18, 2014.
 MOTOROLA DS9208 Omni-Directional Hands-Free Presentation Imager Product Spec Sheet, Apr. 2012, 4 pages.

* cited by examiner

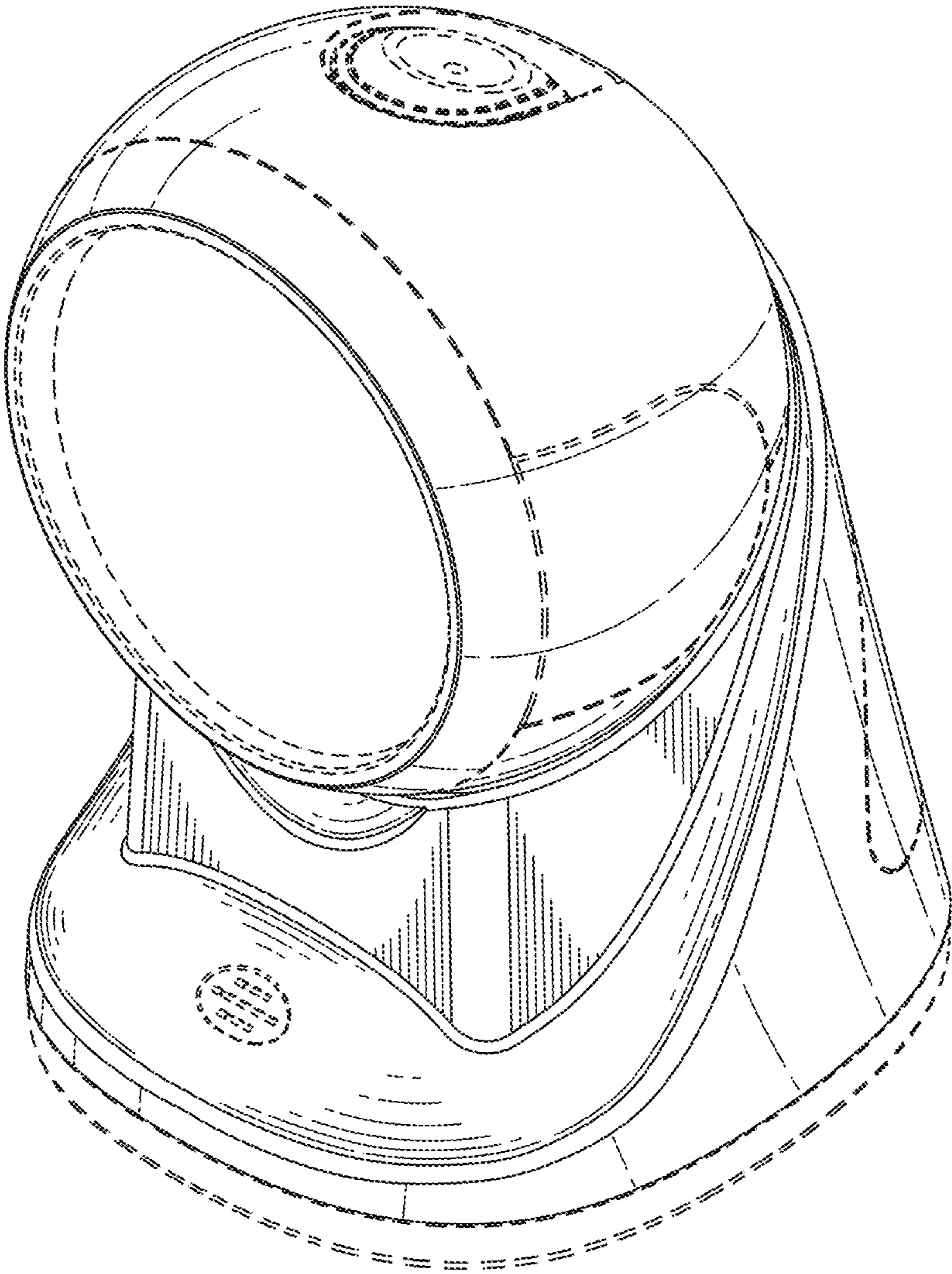


FIG. 1

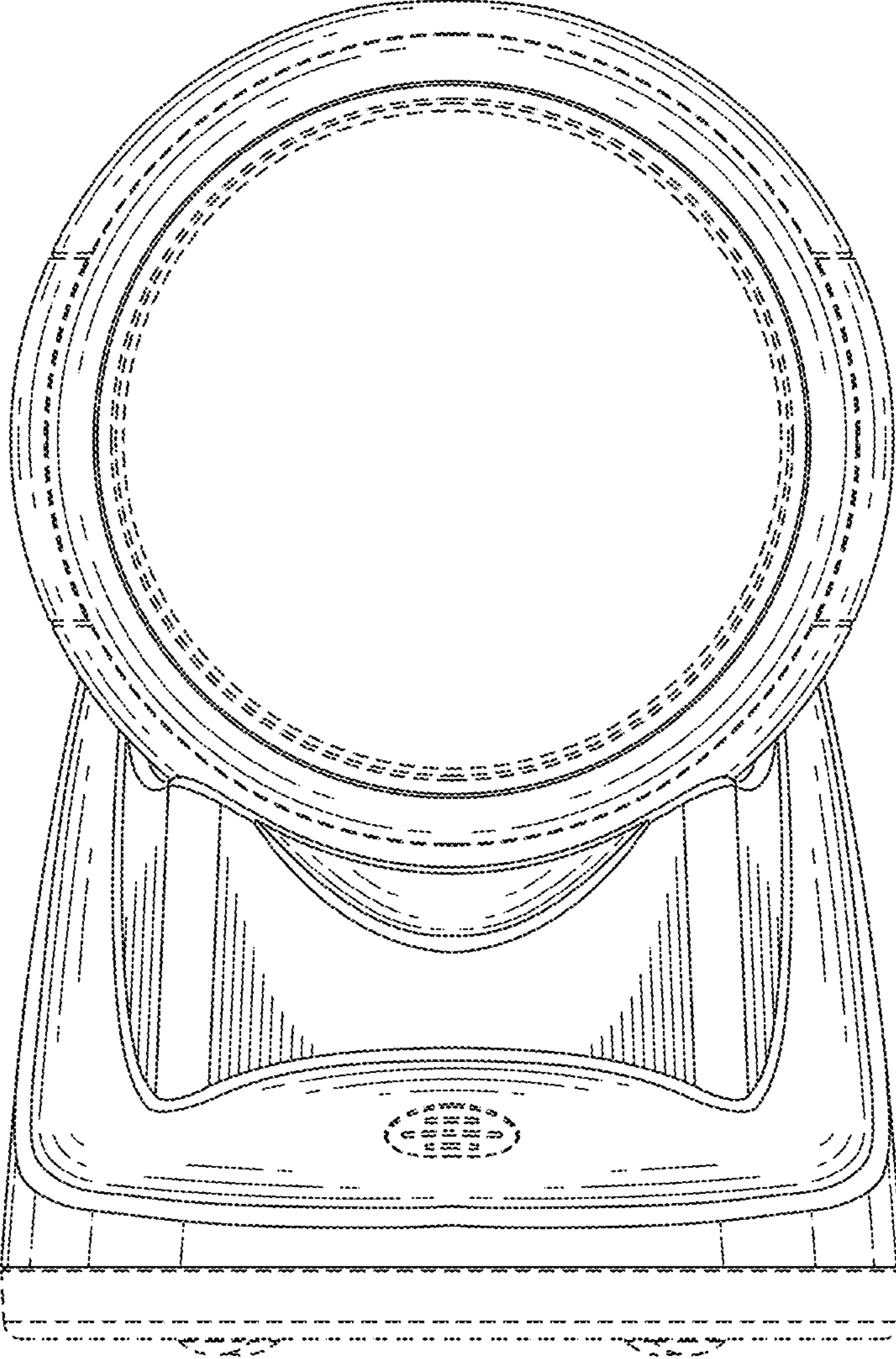


FIG. 2

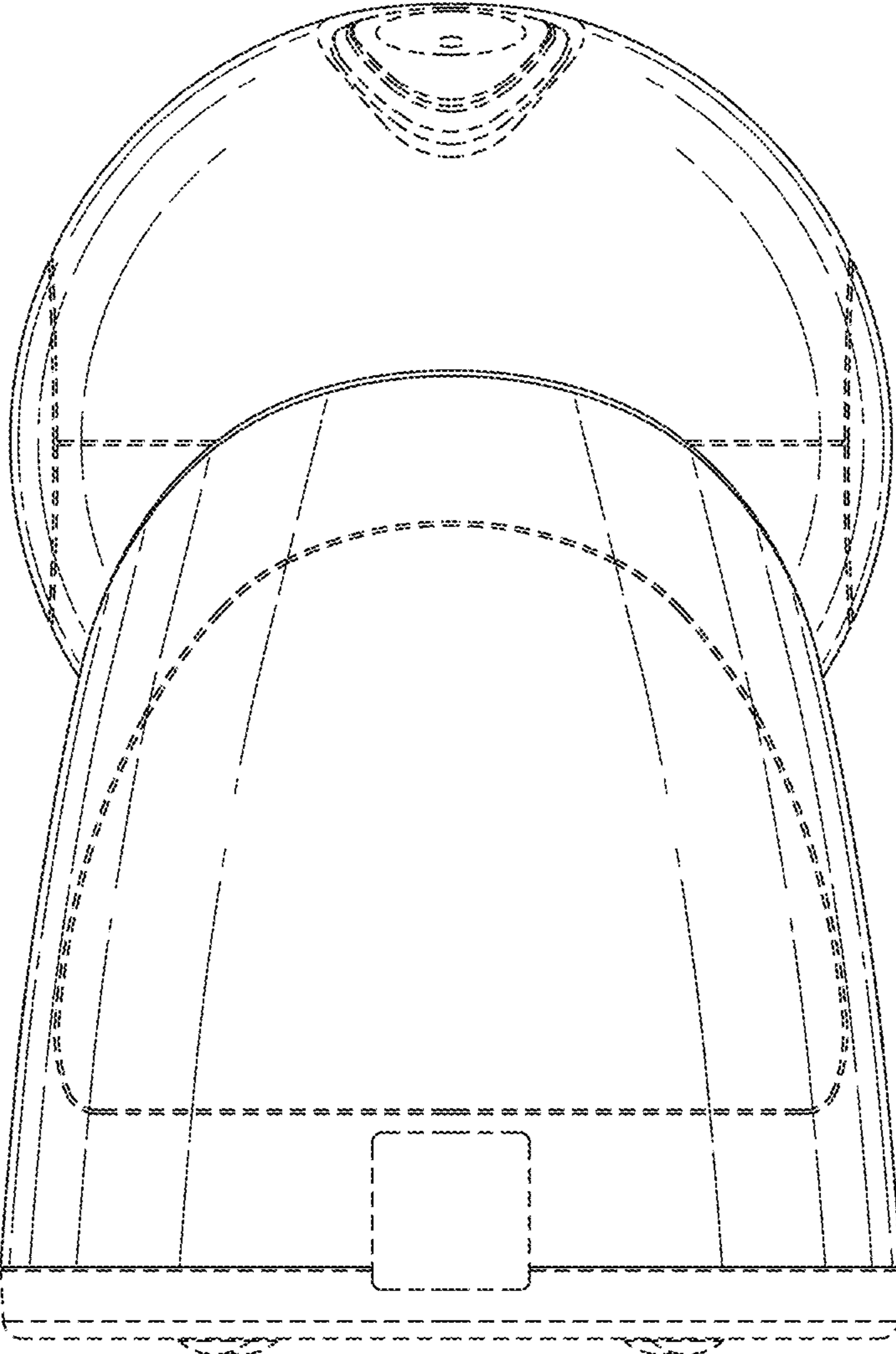


FIG. 3

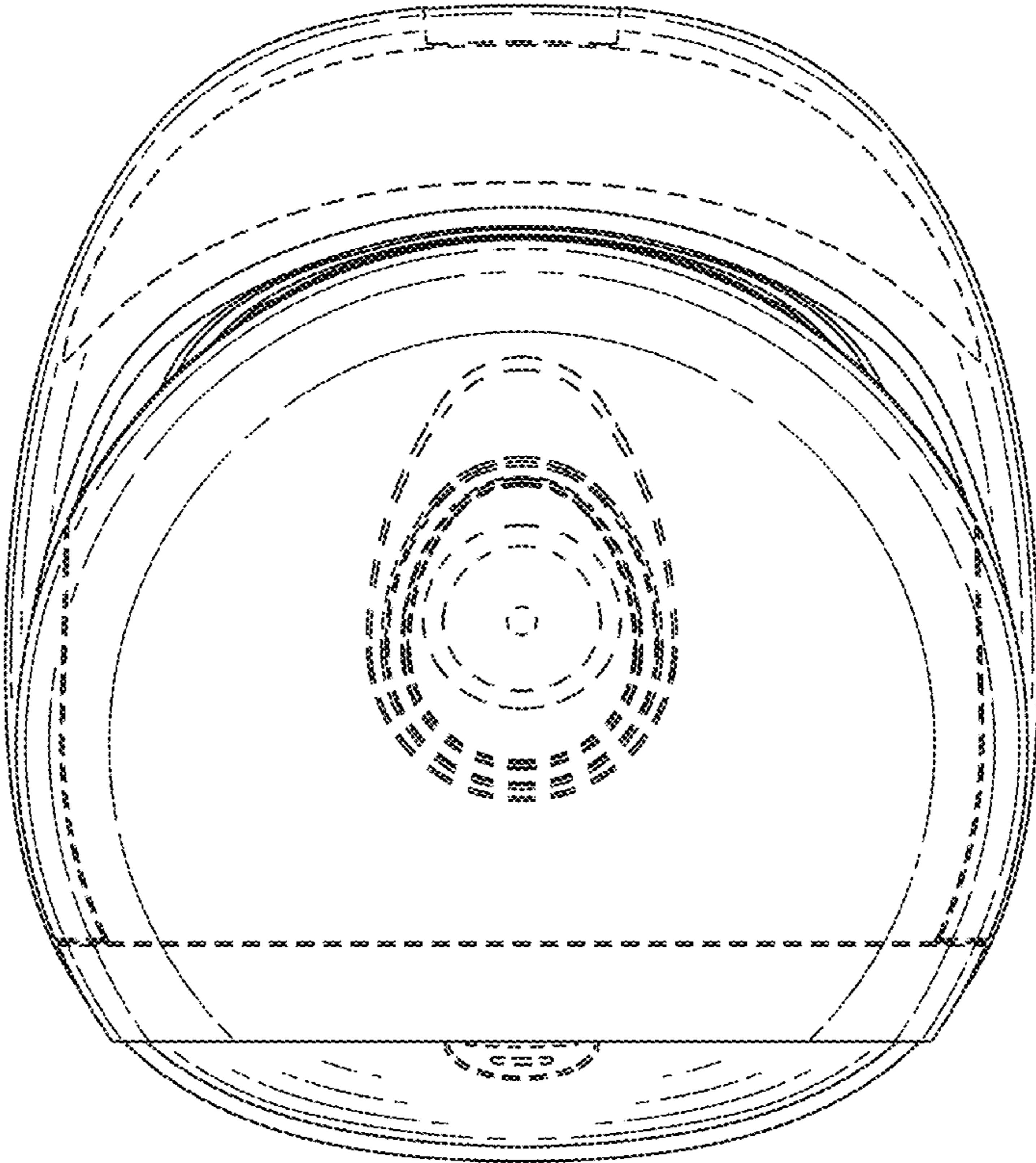


FIG. 4

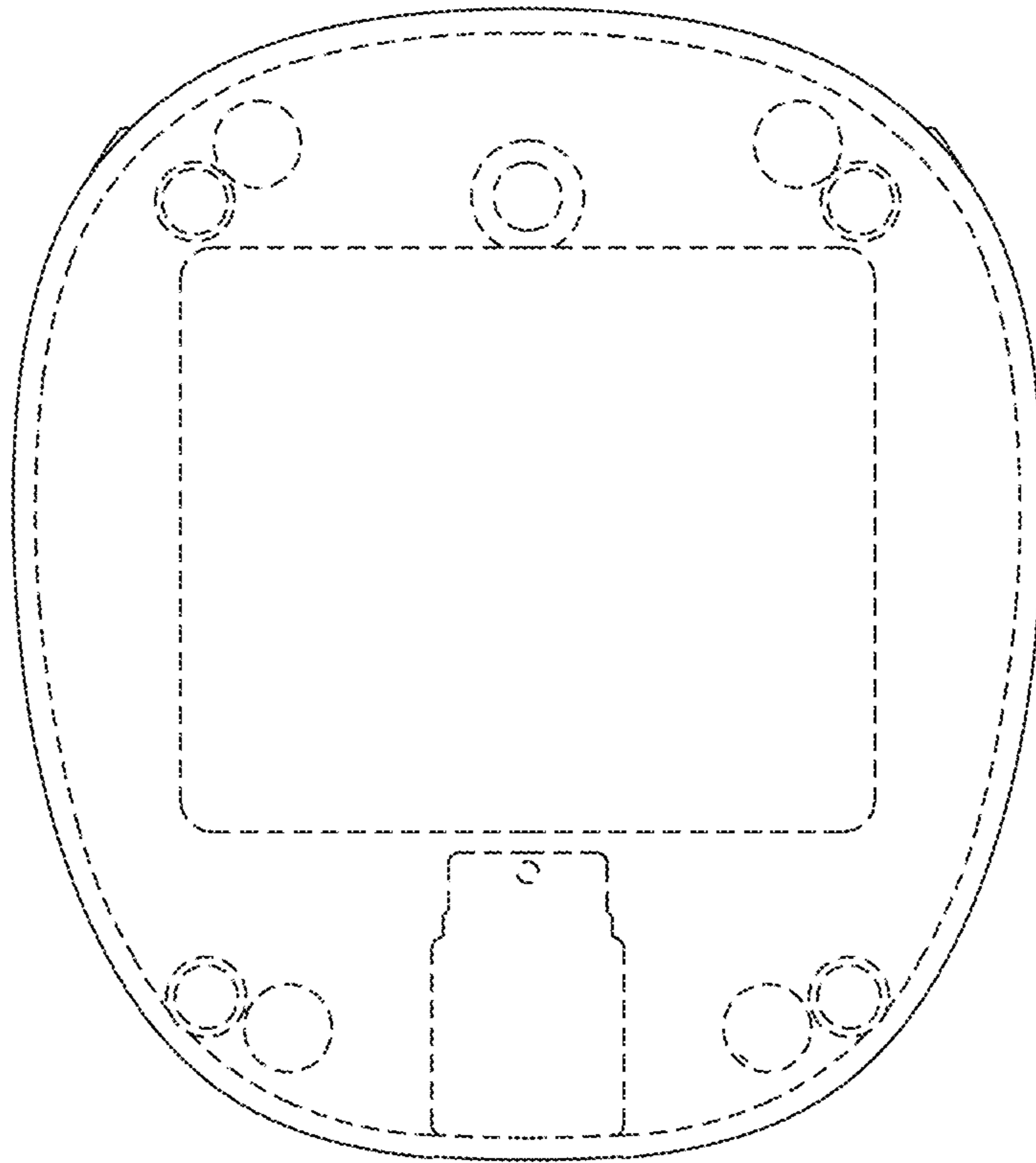


FIG. 5

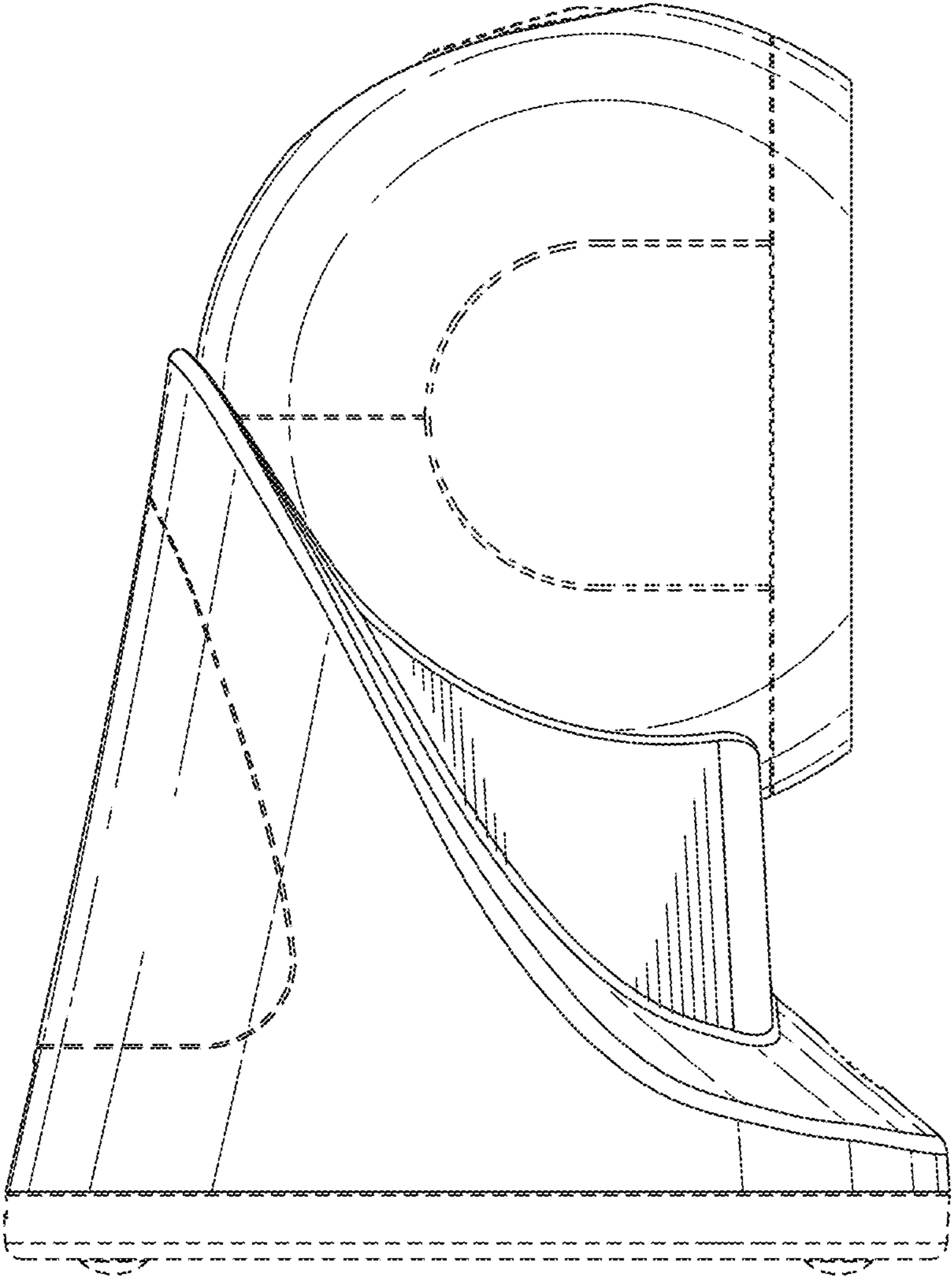


FIG. 6

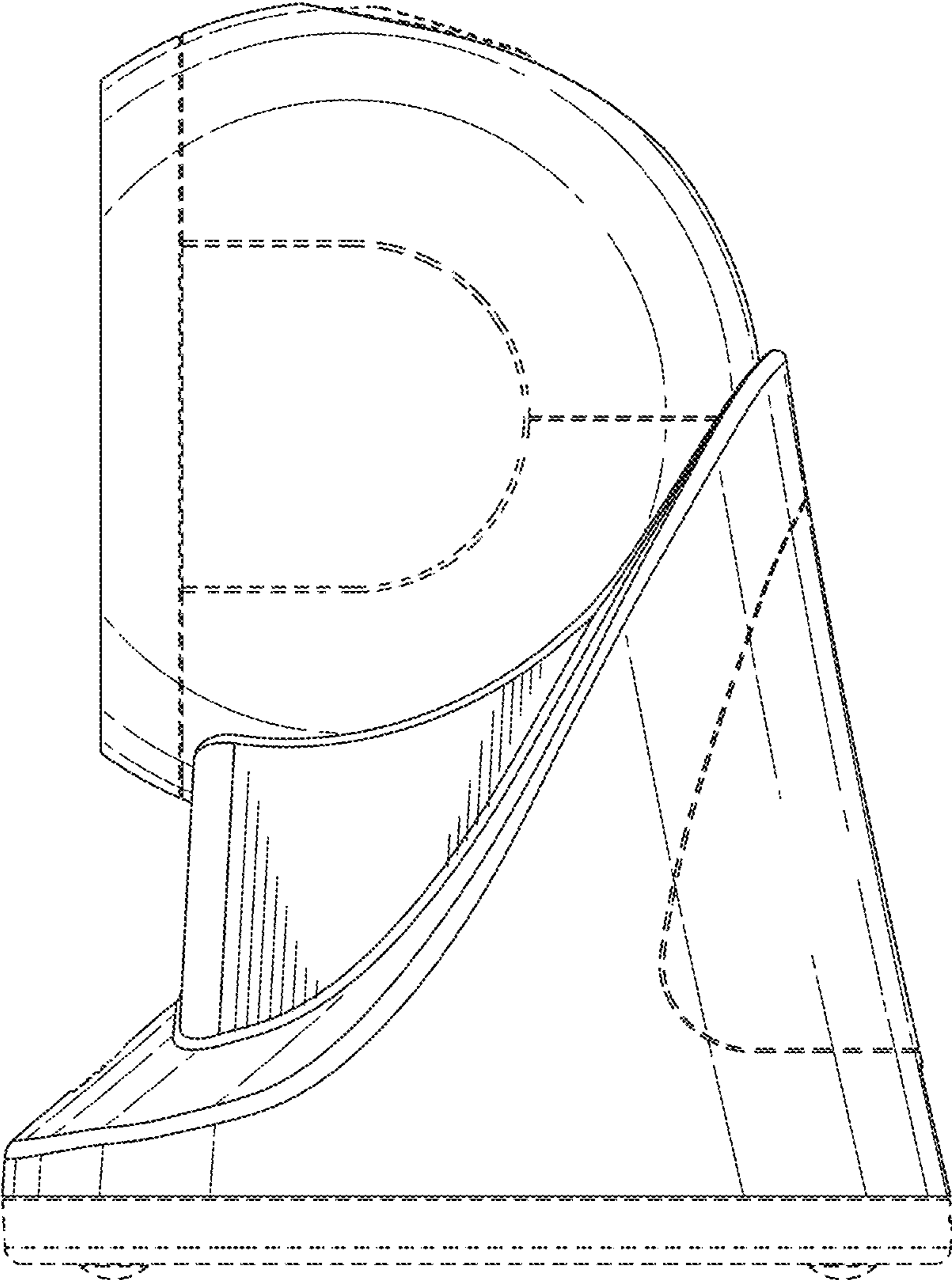


FIG. 7