



US00D734332S

(12) **United States Design Patent**
Olsson et al.

(10) **Patent No.:** **US D734,332 S**
(45) **Date of Patent:** **** Jul. 14, 2015**

- (54) **WEARABLE DISPLAY DEVICE**
- (71) Applicant: **Google Inc.**, Mountain View, CA (US)
- (72) Inventors: **Maj Isabelle Olsson**, San Francisco, CA (US); **Matthew Wyatt Martin**, Ross, CA (US)
- (73) Assignee: **Google Inc.**, Mountain View, CA (US)
- (**) Term: **14 Years**
- (21) Appl. No.: **29/500,760**
- (22) Filed: **Aug. 28, 2014**

D533,893 S	12/2006	Canavan et al.
D559,250 S	1/2008	Pombo
D565,082 S	3/2008	McClure et al.
D566,744 S	4/2008	Travers et al.
D579,014 S	10/2008	Travers et al.
D602,064 S	10/2009	Mitsui et al.
7,631,968 B1	12/2009	Dobson et al.
7,753,520 B2	7/2010	Fuziak, Jr.
D647,123 S	10/2011	Cho
D649,177 S	11/2011	Cho et al.
D659,137 S	5/2012	Matsumoto
D659,739 S	5/2012	Olsson et al.
D659,740 S	5/2012	Olsson et al.
D659,741 S	5/2012	Heinrich et al.
D660,341 S	5/2012	Olsson et al.
D662,964 S	7/2012	Olsson et al.
D664,184 S	7/2012	Olsson et al.
D664,185 S	7/2012	Heinrich et al.
D664,586 S	7/2012	Olsson
D665,008 S	8/2012	Olsson et al.
D666,237 S	8/2012	Olsson et al.
D669,066 S	10/2012	Olsson et al.
D671,589 S	11/2012	Olsson
D680,152 S	4/2013	Olsson et al.
D688,727 S	8/2013	Olsson
D691,602 S	10/2013	Sugihara et al.
D692,424 S	10/2013	Pombo et al.
D694,311 S	11/2013	Cho et al.
D695,738 S *	12/2013	Kumagai et al. D14/372
D695,739 S *	12/2013	Kumagai et al. D14/372
D696,712 S	12/2013	Armstrong et al.
D697,962 S	1/2014	Olsson
D701,506 S	3/2014	Pombo
D703,724 S	4/2014	Olsson
D704,247 S *	5/2014	Olsson et al. D16/300
D708,181 S	7/2014	Olsson et al.
D711,373 S	8/2014	Lee et al.
D711,374 S *	8/2014	Lee et al. D14/372
D711,375 S	8/2014	Lee et al.
D711,376 S	8/2014	Lee et al.
D715,295 S	10/2014	Lee et al.
D716,299 S	10/2014	Olsson et al.
D717,796 S *	11/2014	Olsson D14/372
D717,797 S *	11/2014	Olsson D14/372
D718,304 S *	11/2014	Heinrich D14/372
D718,305 S *	11/2014	Olsson et al. D14/372
D718,765 S *	12/2014	Olsson D14/372
D719,156 S *	12/2014	Lee et al. D14/372
D723,553 S *	3/2015	Choo et al. D14/372
D723,555 S *	3/2015	Choo et al. D14/372
D723,556 S *	3/2015	Choo et al. D14/372
8,968,012 B2 *	3/2015	Olsson et al. 439/131

Related U.S. Application Data

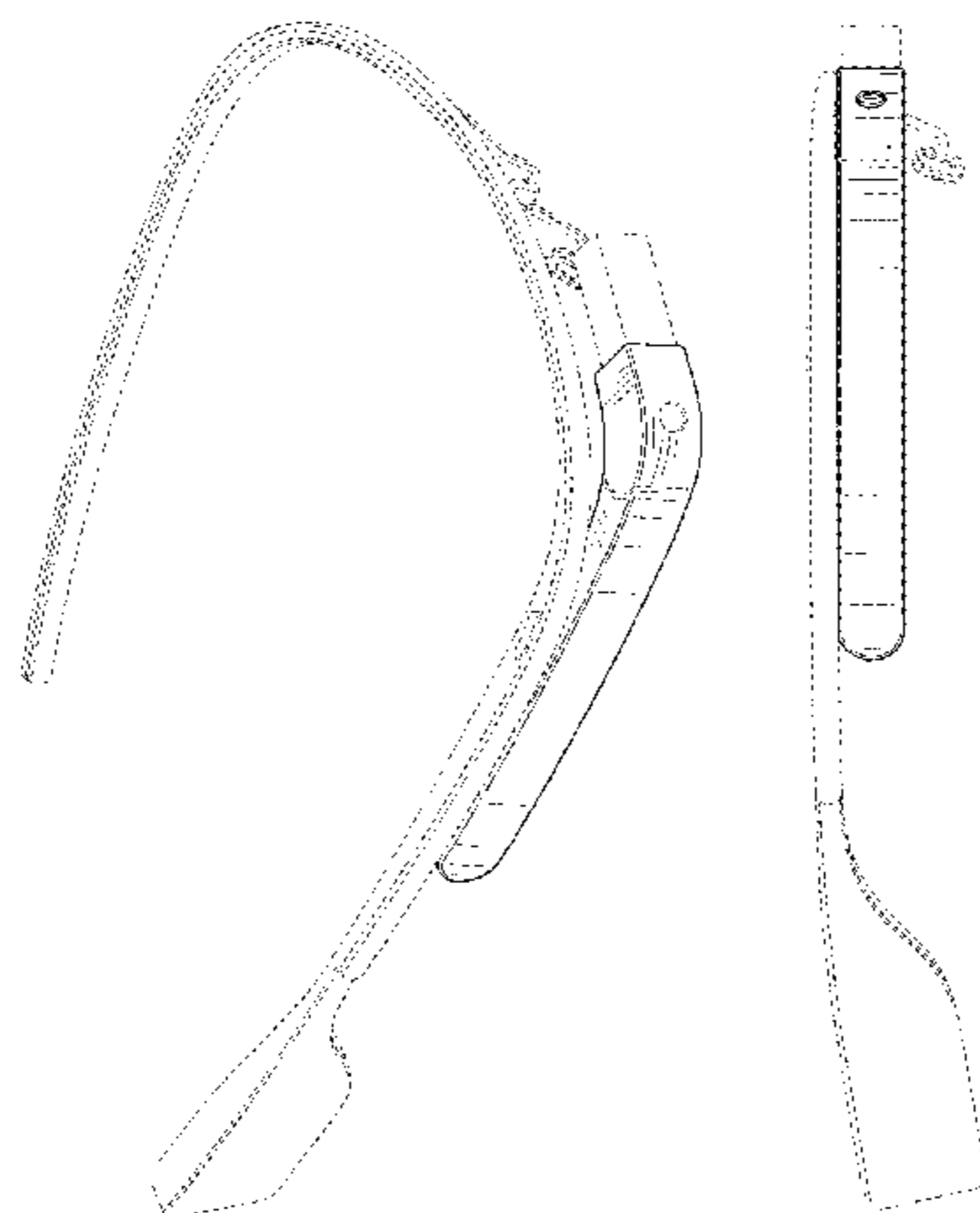
- (62) Division of application No. 29/416,454, filed on Mar. 22, 2012, now Pat. No. Des. 716,299.
- (51) **LOC (10) Cl.** **14-02**
- (52) **U.S. Cl.**
USPC **D14/372**
- (58) **Field of Classification Search**
USPC D14/372, 496, 432, 371, 125, 126, 129, D14/299; D16/300-342; 351/158, 153, 144; 345/7-9, 905; 455/344; 348/115, 53, 348/121, 739
CPC G02B 27/017; G02B 27/0158; G02B 27/0161; G02B 27/0181; G02B 27/0185; G02B 27/0189
See application file for complete search history.

(56) **References Cited**

U.S. PATENT DOCUMENTS

D327,079 S	6/1992	Allen
D334,557 S	4/1993	Hunter et al.
D337,320 S	7/1993	Hunter et al.
D402,651 S	12/1998	Depay et al.
D429,253 S	8/2000	Robertson et al.
D436,960 S	1/2001	Budd et al.
6,747,611 B1	6/2004	Budd et al.
D512,985 S	12/2005	Travers et al.
D521,493 S	5/2006	Wai
D523,461 S	6/2006	Jannard et al.

* cited by examiner



Primary Examiner — Austin Murphy

(74) *Attorney, Agent, or Firm* — Lerner, David, Littenberg, Krumholz & Mentlik, LLP

(57) **CLAIM**

The ornamental design for a wearable display device, as shown and described.

DESCRIPTION

FIG. 1 is a front perspective view of a wearable display device according to a first embodiment of our design;

FIG. 2 is a front elevation view of the wearable display device of FIG. 1;

FIG. 3 is a back elevation view of the wearable display device of FIG. 1;

FIG. 4 is a right elevation view of the wearable display device of FIG. 1;

FIG. 5 is a left elevation view of the wearable display device of FIG. 1;

FIG. 6 is a top elevation view of the wearable display device of FIG. 1;

FIG. 7 is a bottom elevation view of the wearable display device of FIG. 1;

FIG. 8 is a front perspective view of a wearable display device according to a second embodiment of our design in a first configuration thereof;

FIG. 9 is a front elevation view of the wearable display device of FIG. 8;

FIG. 10 is a rear elevation view of the wearable display device of FIG. 8;

FIG. 11 is a right side elevation view the wearable display device of FIG. 8;

FIG. 12 is a left side elevation view of the wearable display device of FIG. 8;

FIG. 13 is a top elevation view of the wearable display device of FIG. 8;

FIG. 14 is a bottom elevation view of the wearable display device of FIG. 8;

FIG. 15 is a front perspective view of the wearable display device according to the second embodiment of our design in a second configuration thereof;

FIG. 16 is a top elevation view of the wearable display device of FIG. 15;

FIG. 17 is a front perspective view of the wearable display device according to the second embodiment of our design in a third configuration thereof;

FIG. 18 is a top elevation view of the wearable display device of FIG. 17;

FIG. 19 is a rear perspective view of a wearable display device according to a third embodiment of our design;

FIG. 20A is a right elevation view of the wearable display device of FIG. 19 of which front, back, left, top, and bottom views are identical to the views shown in FIGS. 2, 3, and 5-7;

FIG. 20B is a detail view of the area indicated in FIG. 20A showing, in dotted phantom line, a feature that can be included along any portion of the surface on which it is shown;

FIG. 21 is a rear perspective view of a wearable display device according to a fourth embodiment of our design;

FIG. 22A is a right elevation view of the wearable display device of FIG. 21 of which front, back, left, top, and bottom views are identical to the views shown in FIGS. 2, 3, and 5-7;

FIG. 22B is a detail view of the area indicated in FIG. 22A showing, in dotted phantom line, a feature that can be included along any portion of the surface on which it is shown;

FIG. 23 is a rear perspective view of a wearable display device according to a fifth embodiment of our design;

FIG. 24A is a right elevation view of the wearable display device of FIG. 23 of which front, back, left, top, and bottom views are identical to the views shown in FIGS. 2, 3, and 5-7;

FIG. 24B is a detail view of the area indicated in FIG. 24A showing, in an un-outlined stipple-fill area, a feature that can be present as a light source visible through a translucent portion of the wearable display device;

FIG. 25 is a rear perspective view of a wearable display device according to a sixth embodiment of our design;

FIG. 26A is a right elevation view of the wearable display device of FIG. 25 of which front, back, left, top, and bottom views are identical to the views shown in FIGS. 2, 3, and 5-7;

FIG. 26B is a detail view of the area indicated in FIG. 26A showing, in an un-outlined stipple-fill area, a feature that can be present as a light source visible through a translucent portion of the wearable display device;

FIG. 27 is a front perspective view of a wearable display device according to a seventh embodiment of our design;

FIG. 28 is a front elevation view of the wearable display device of FIG. 27;

FIG. 29 is a left elevation view of the wearable display device of FIG. 27 of which back, right, top and bottom elevation views are identical to the views shown in FIGS. 3, 4, 6 and 7;

FIG. 30 is a front perspective view of a wearable display device according to an eighth embodiment of our design;

FIG. 31 is a front elevation view of the wearable display device of FIG. 30; and,

FIG. 32 is a left elevation view of the wearable display device of FIG. 30 of which back, right, top and bottom elevation views are identical to the views shown in FIGS. 3, 4, 6 and 7.

Broken lines are environmental only and form no part of the claimed design.

Broken lines adjacent unshaded areas represent bounds of associated portions of the claimed design and form no part of the claimed design.

1 Claim, 26 Drawing Sheets

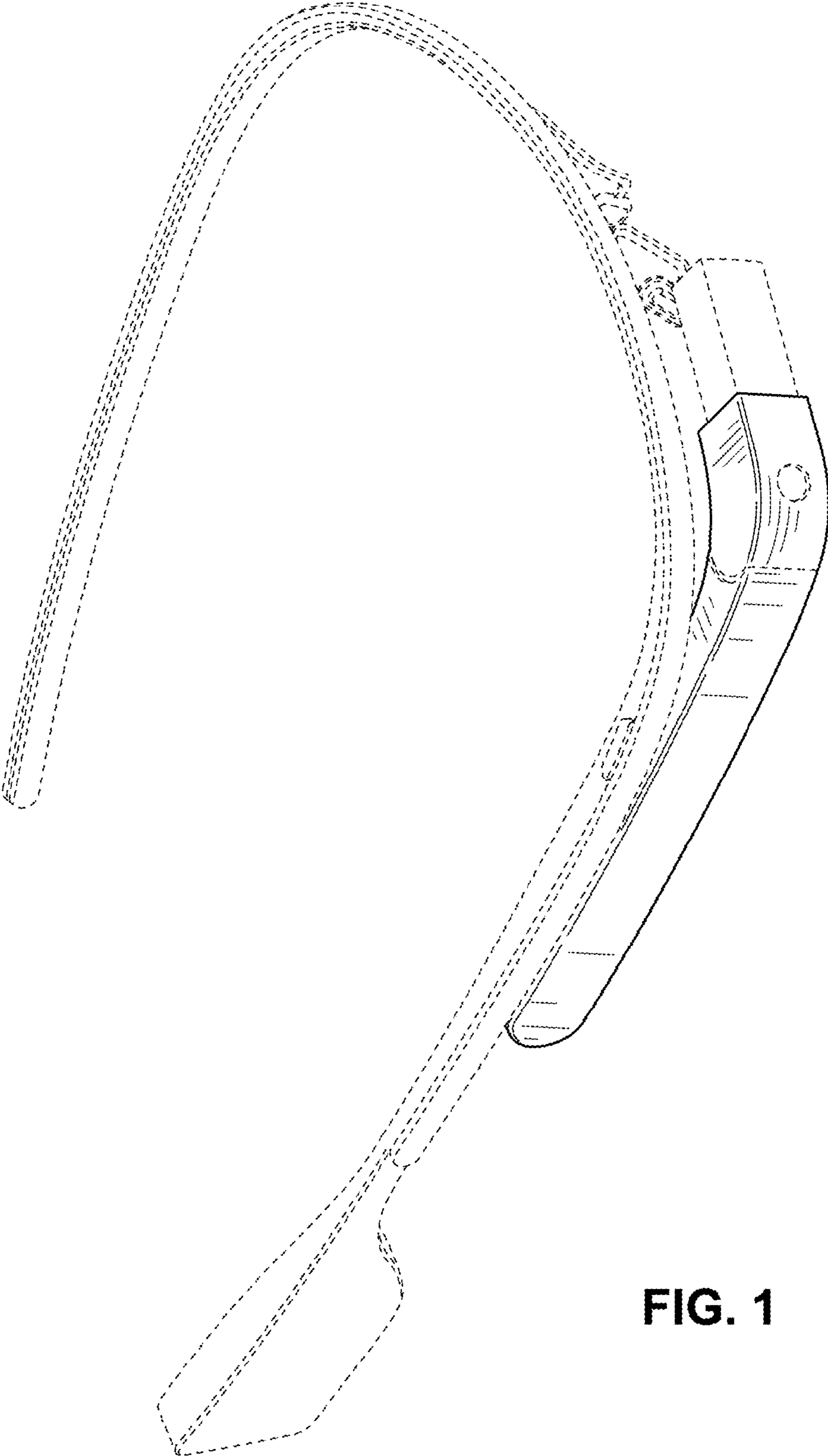


FIG. 1

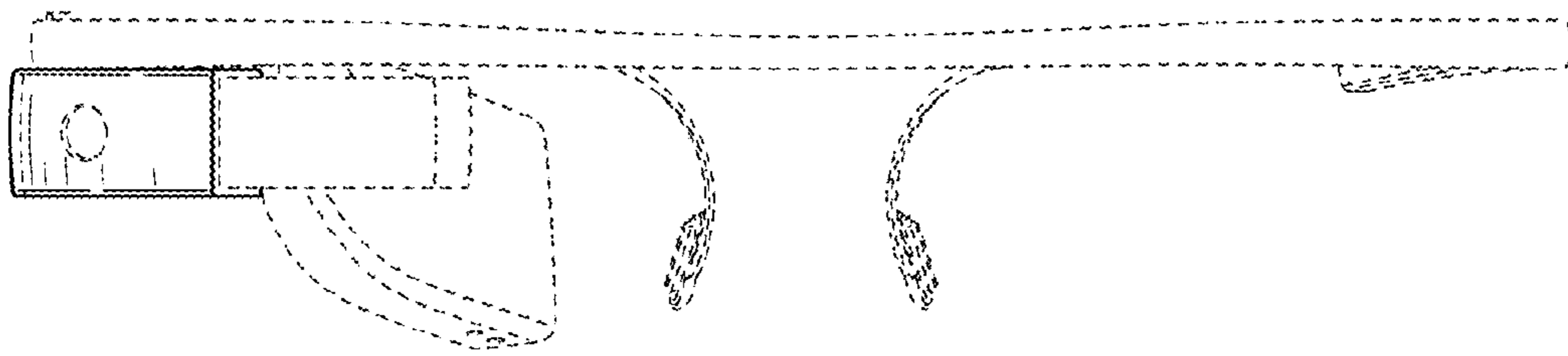


FIG. 2

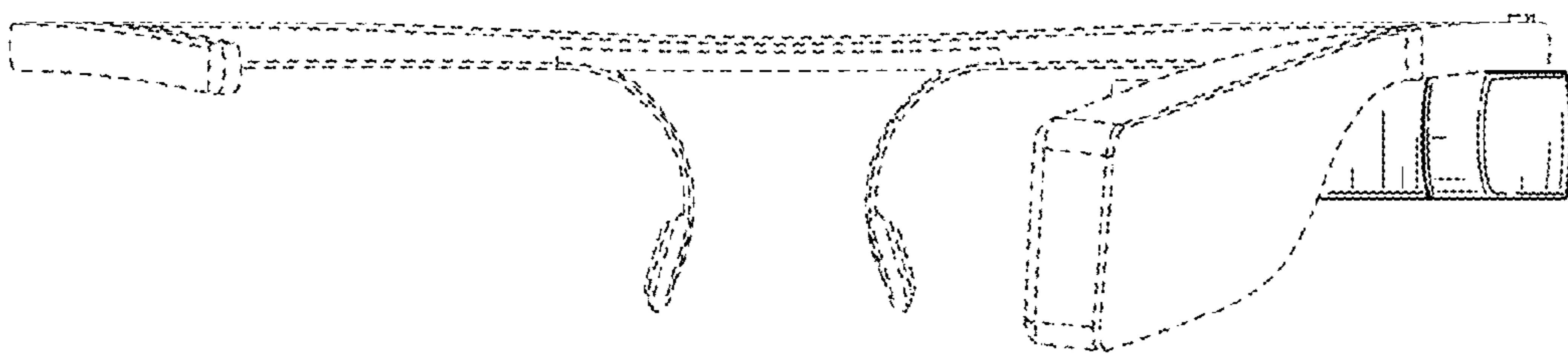


FIG. 3

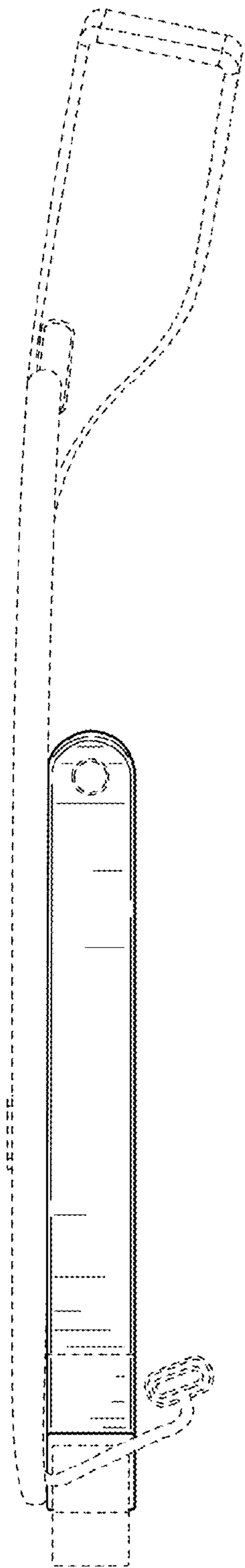


FIG. 4

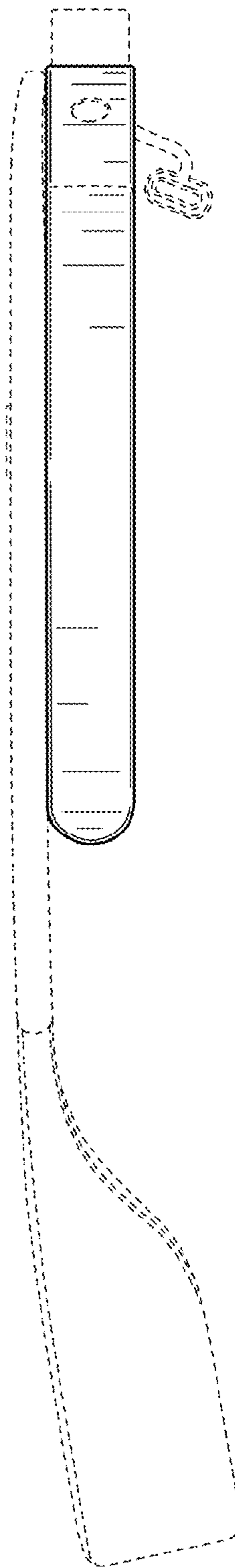


FIG. 5

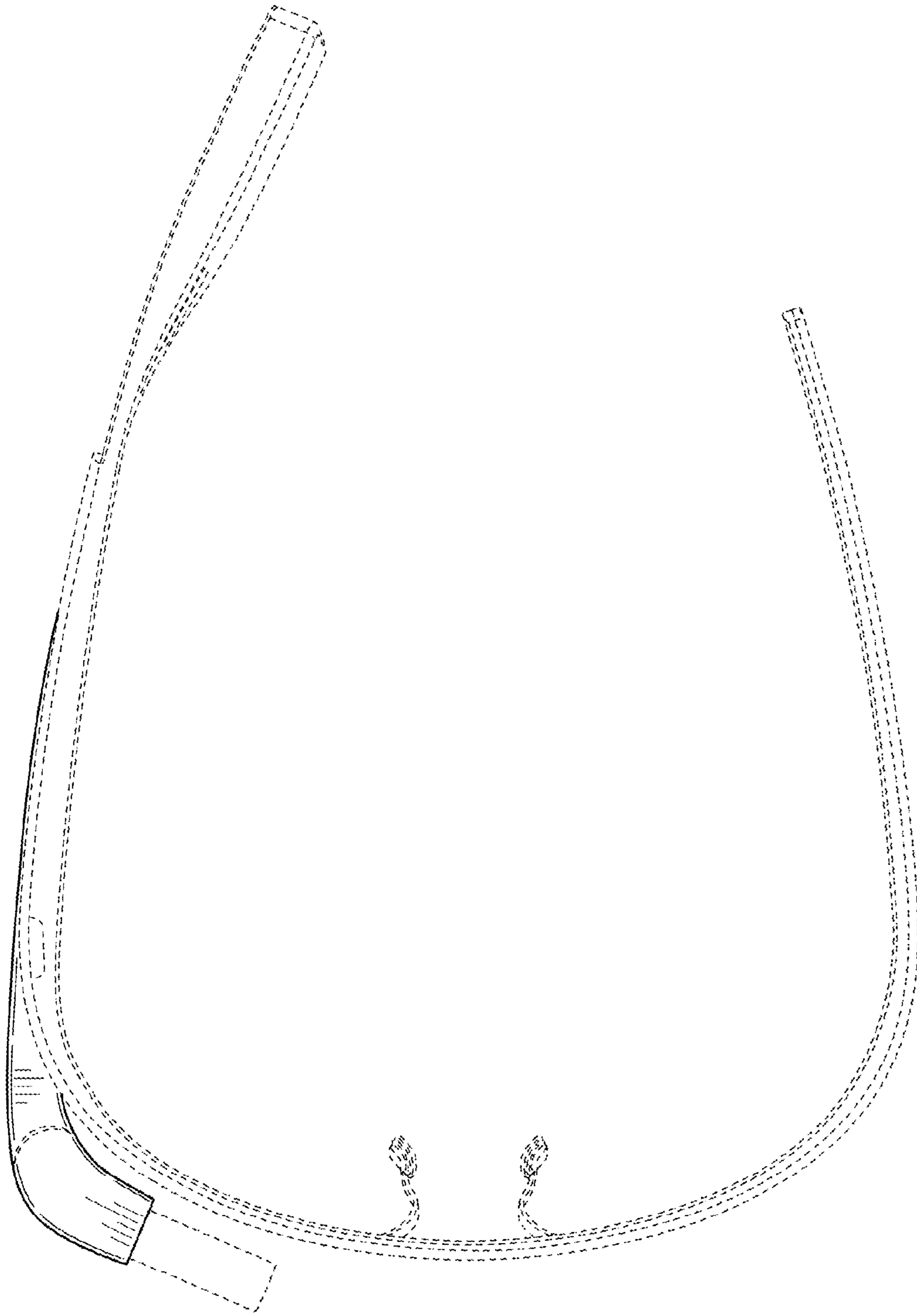


FIG. 6

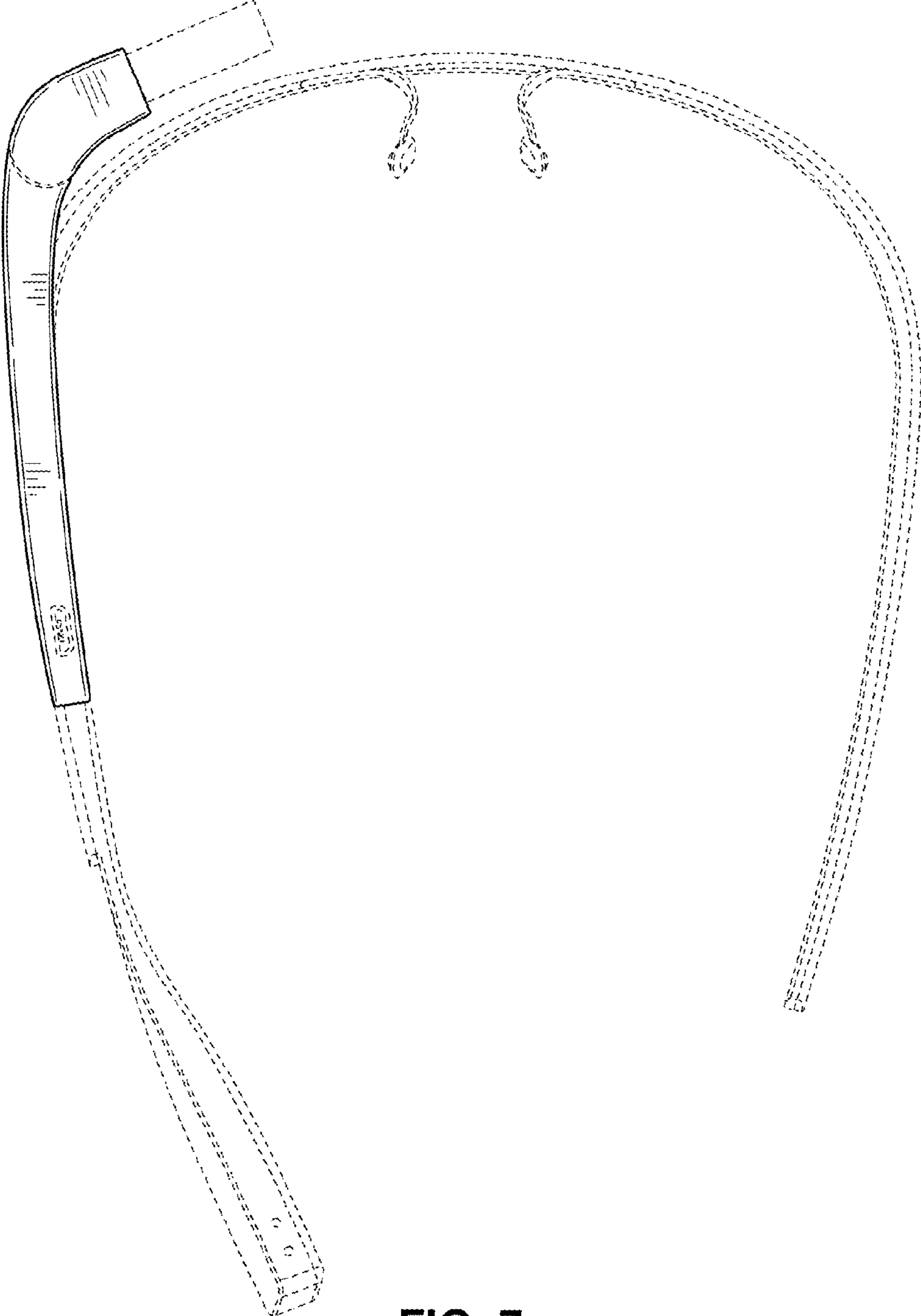


FIG. 7

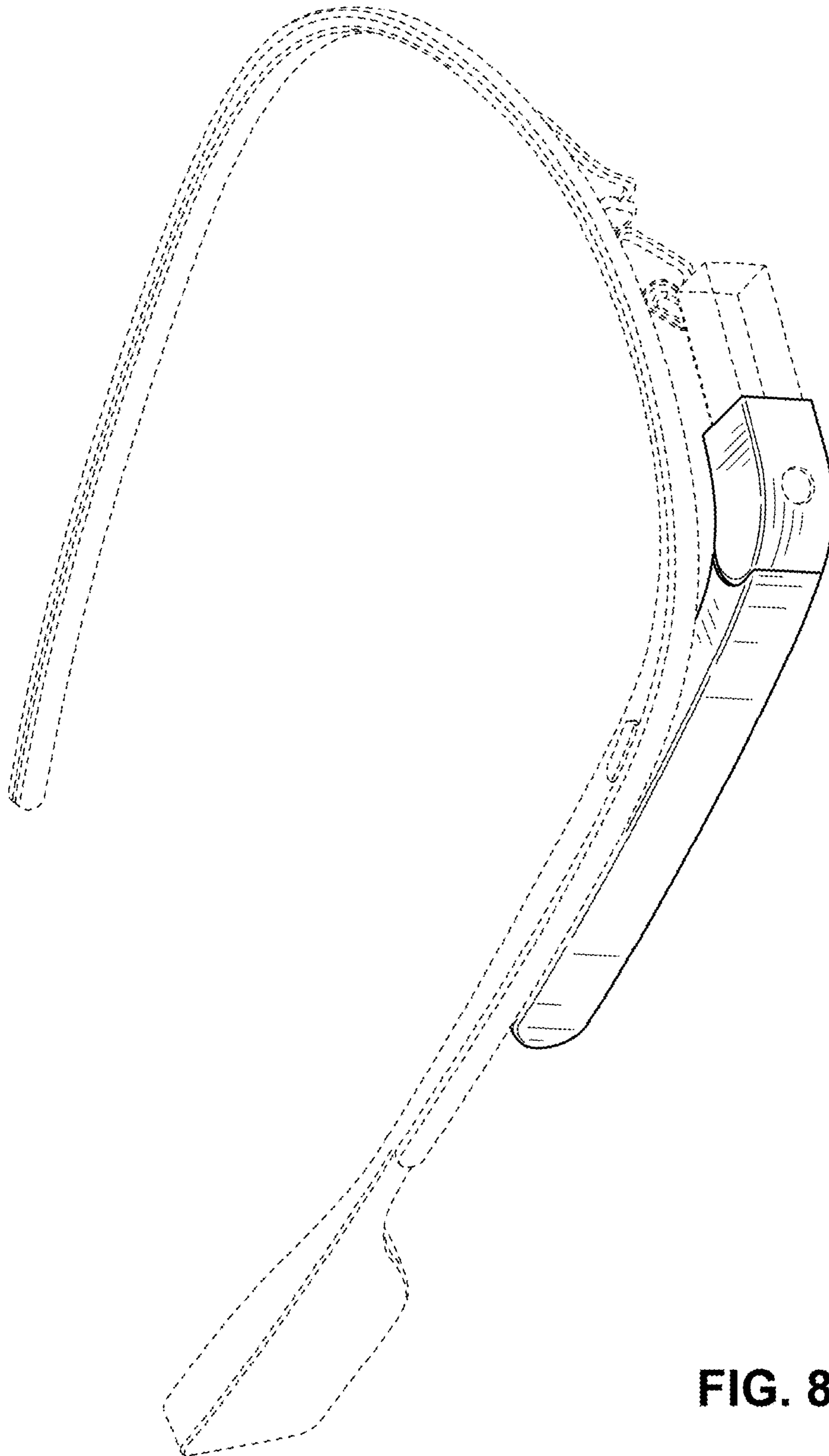


FIG. 8

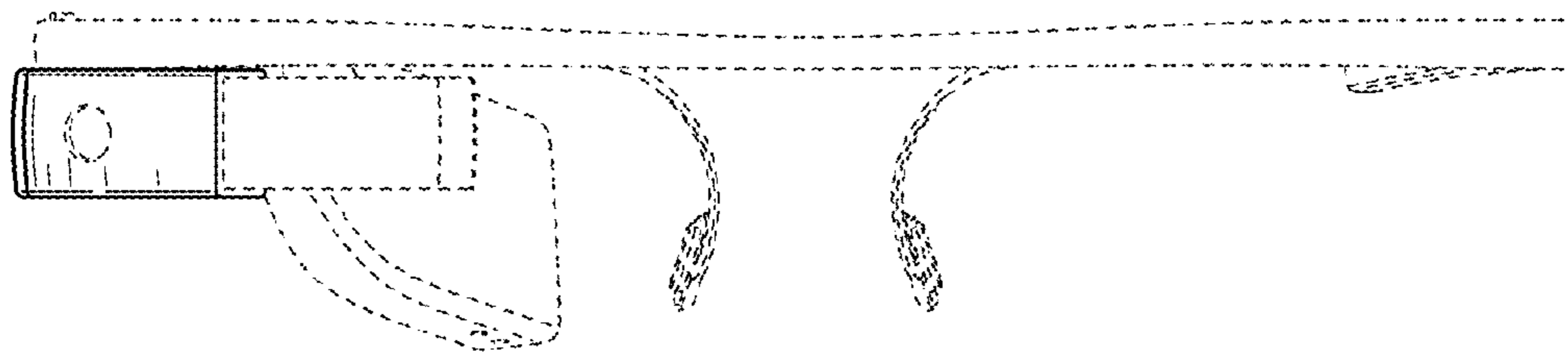


FIG. 9

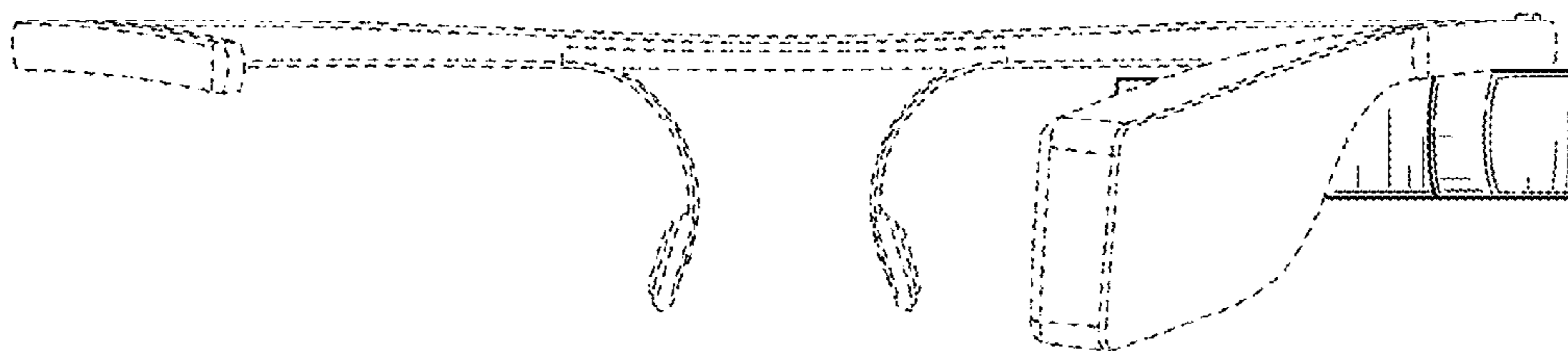


FIG. 10

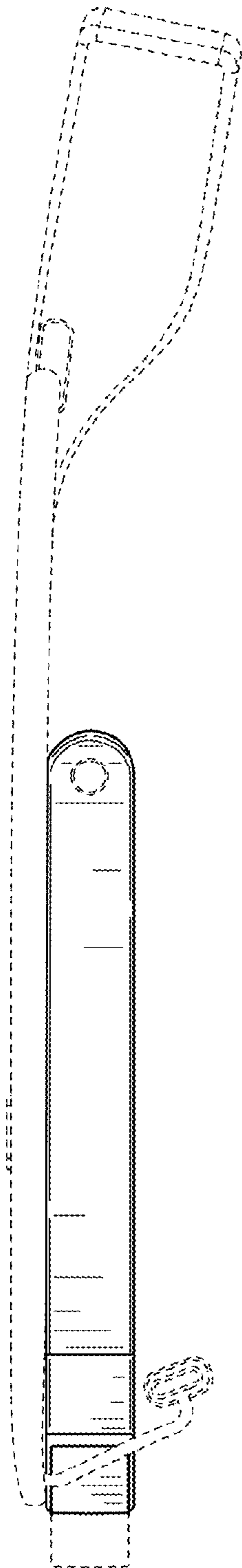


FIG. 11

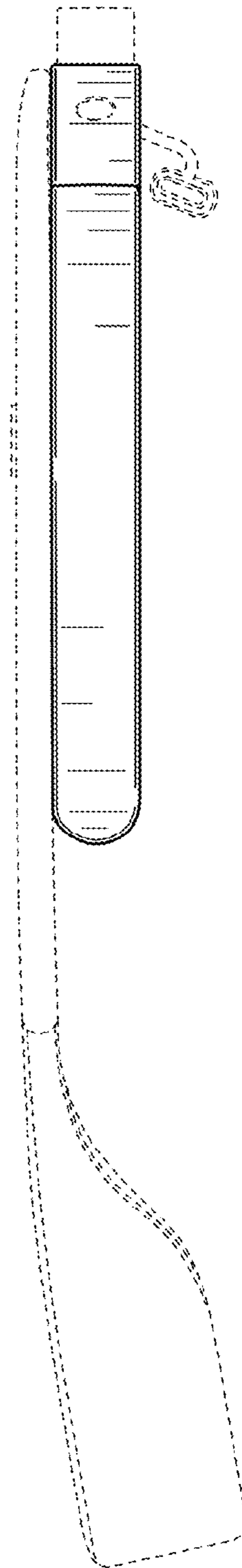


FIG. 12

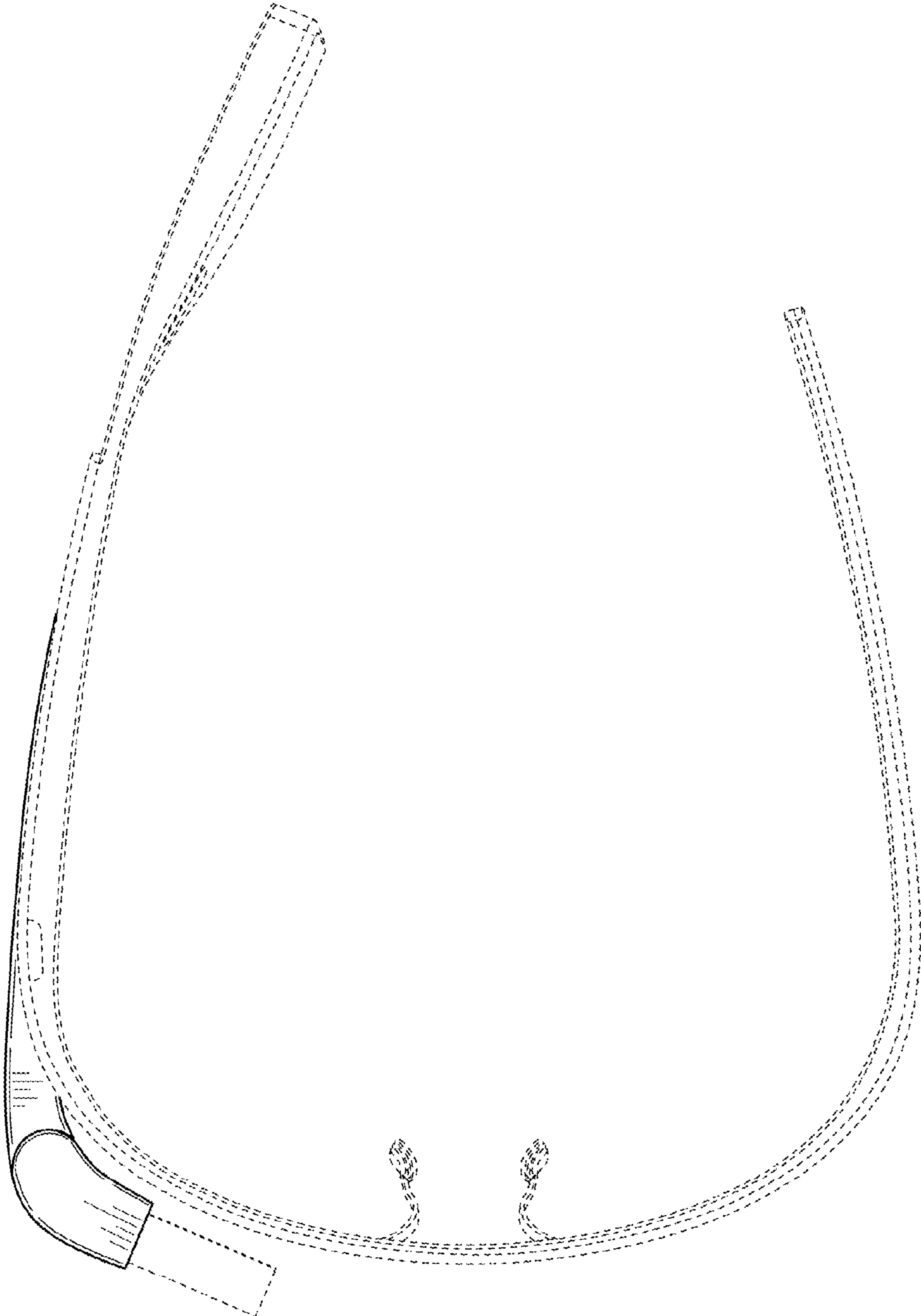


FIG. 13

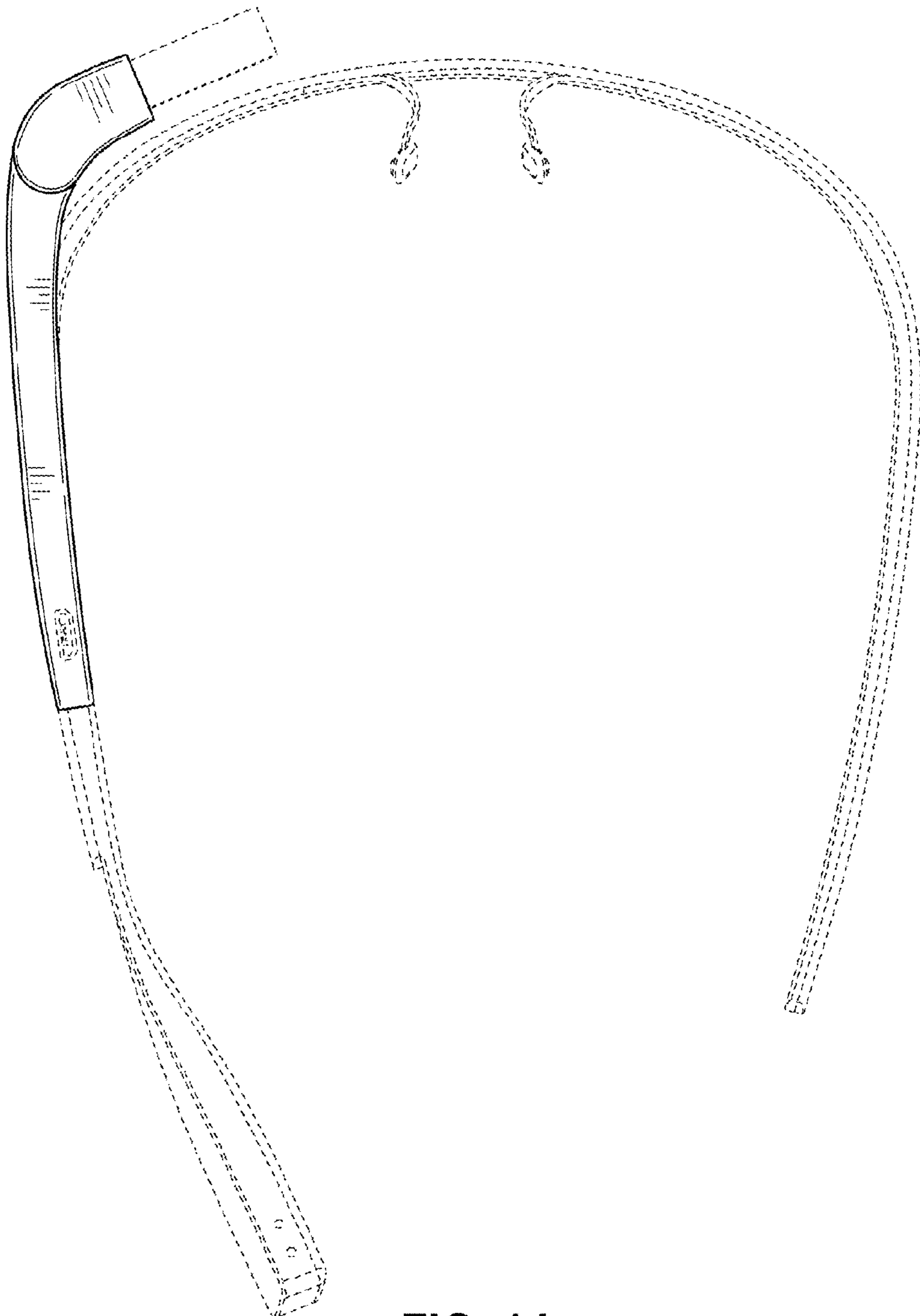


FIG. 14

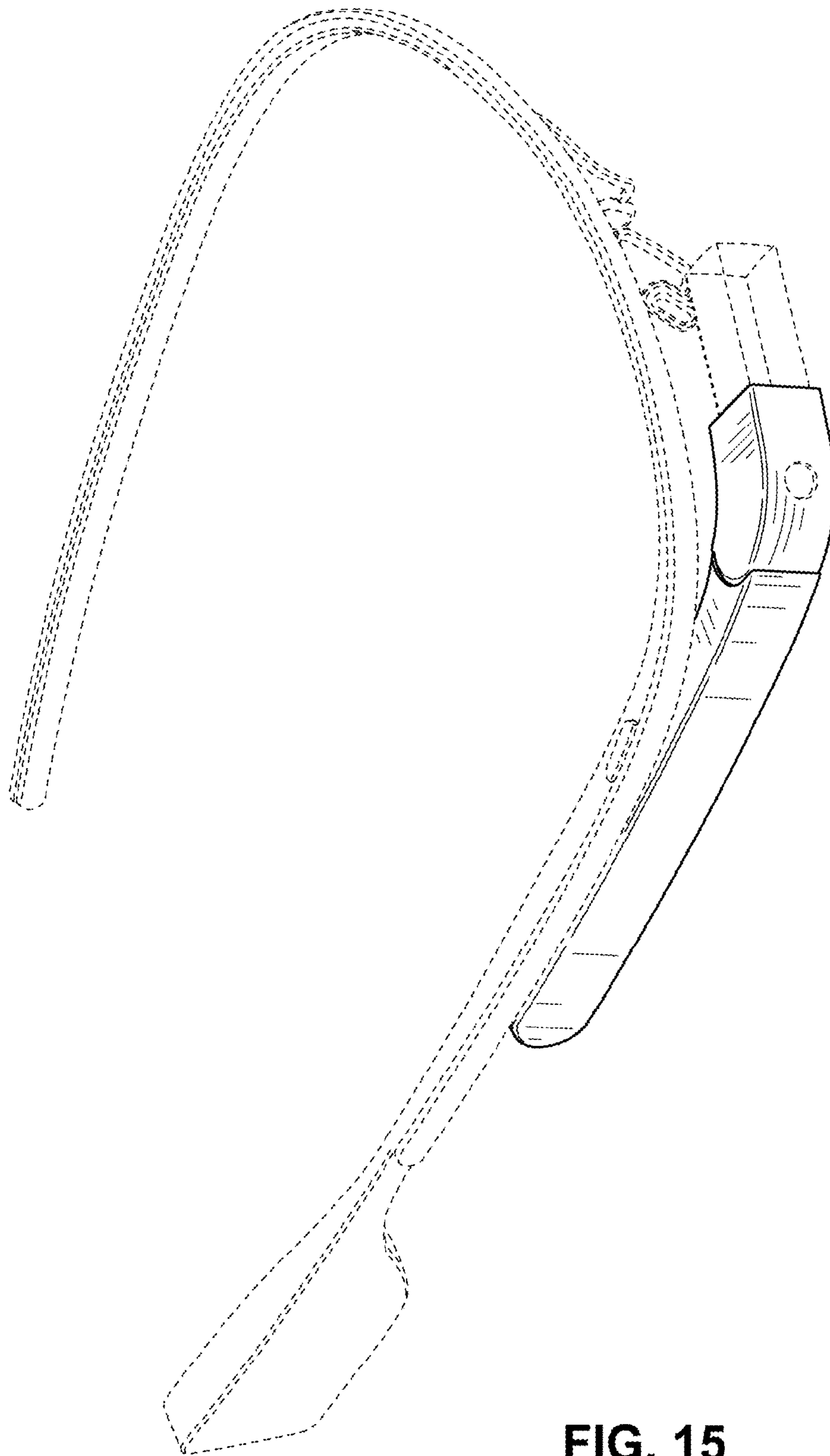


FIG. 15

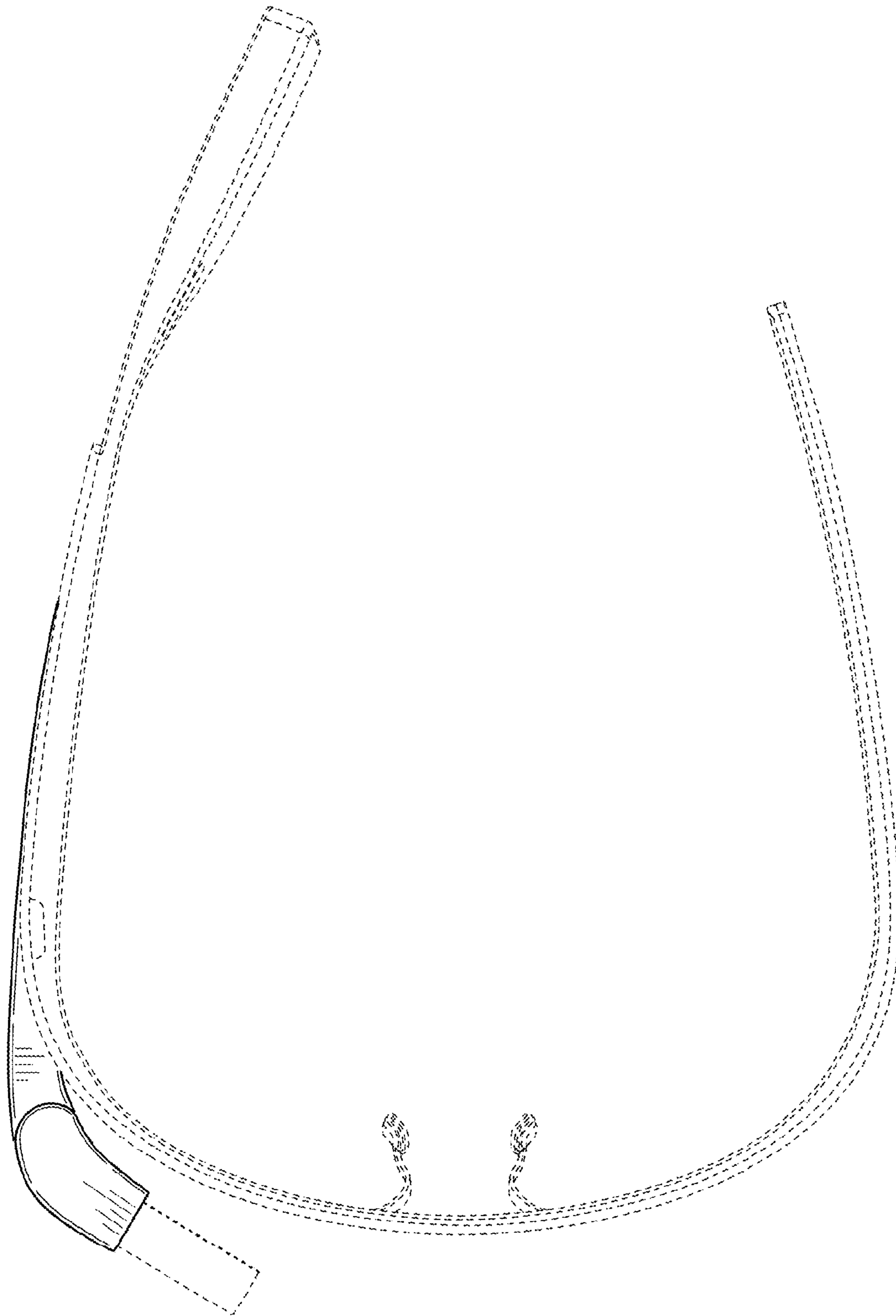


FIG. 16

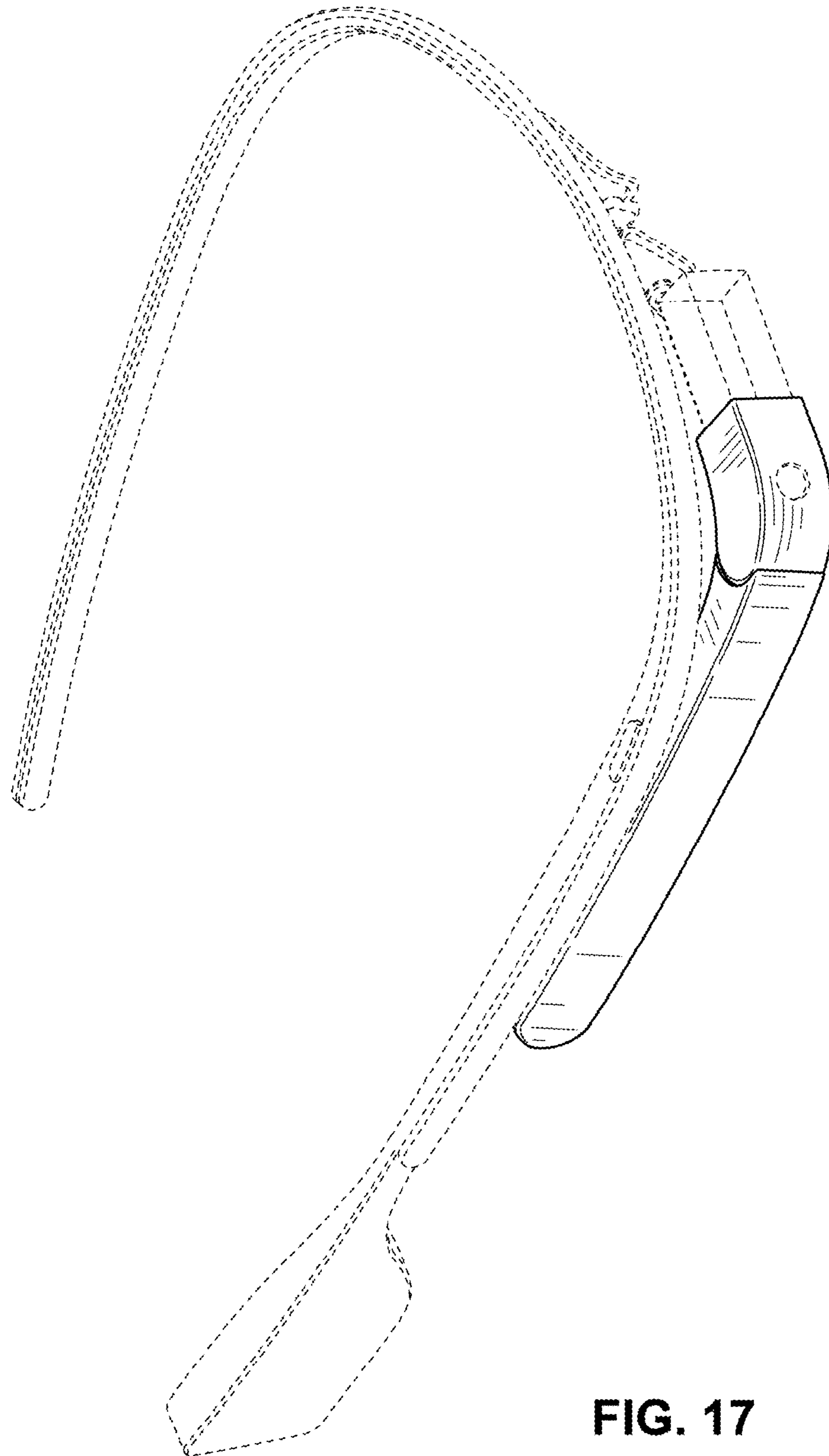


FIG. 17

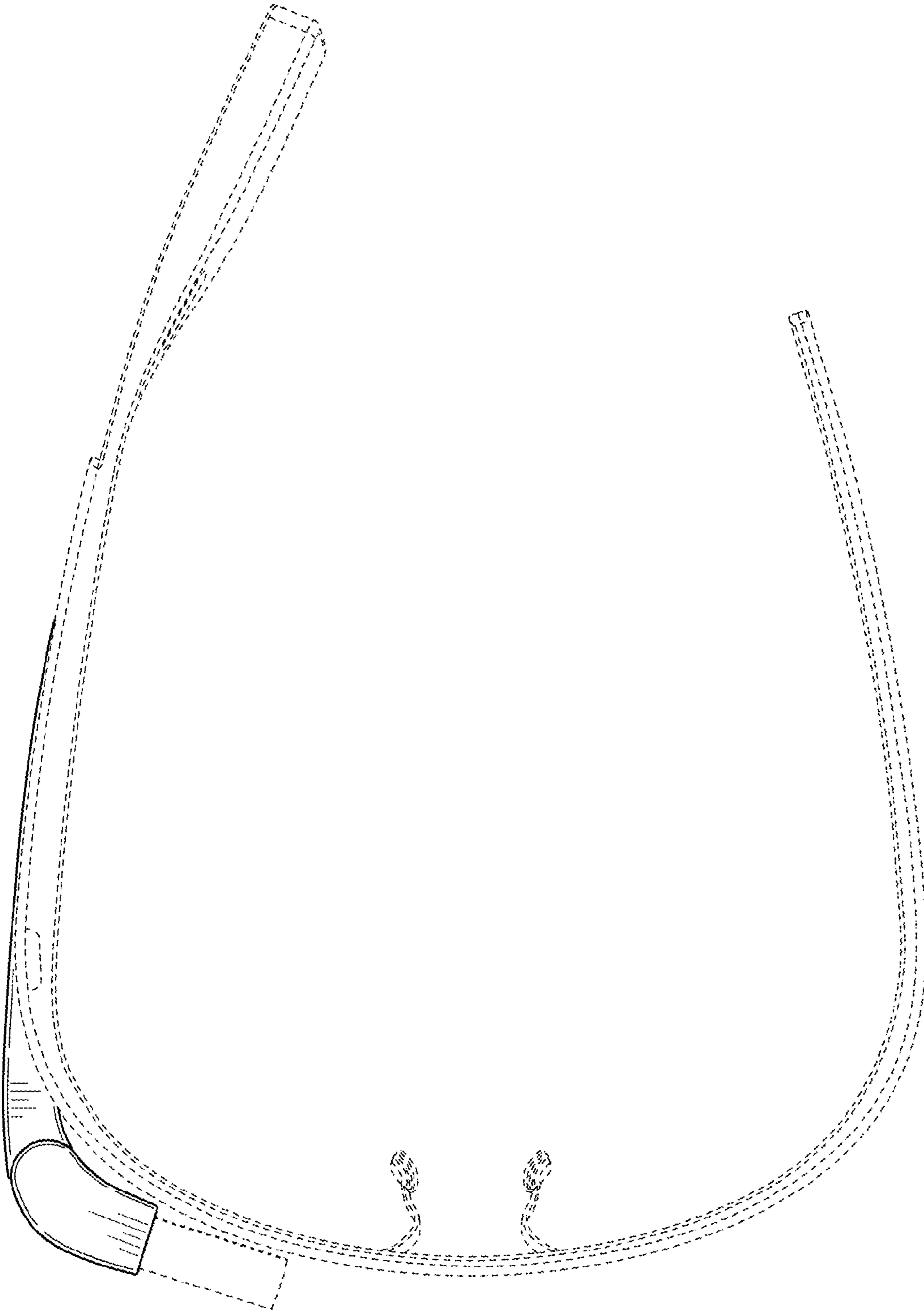


FIG. 18

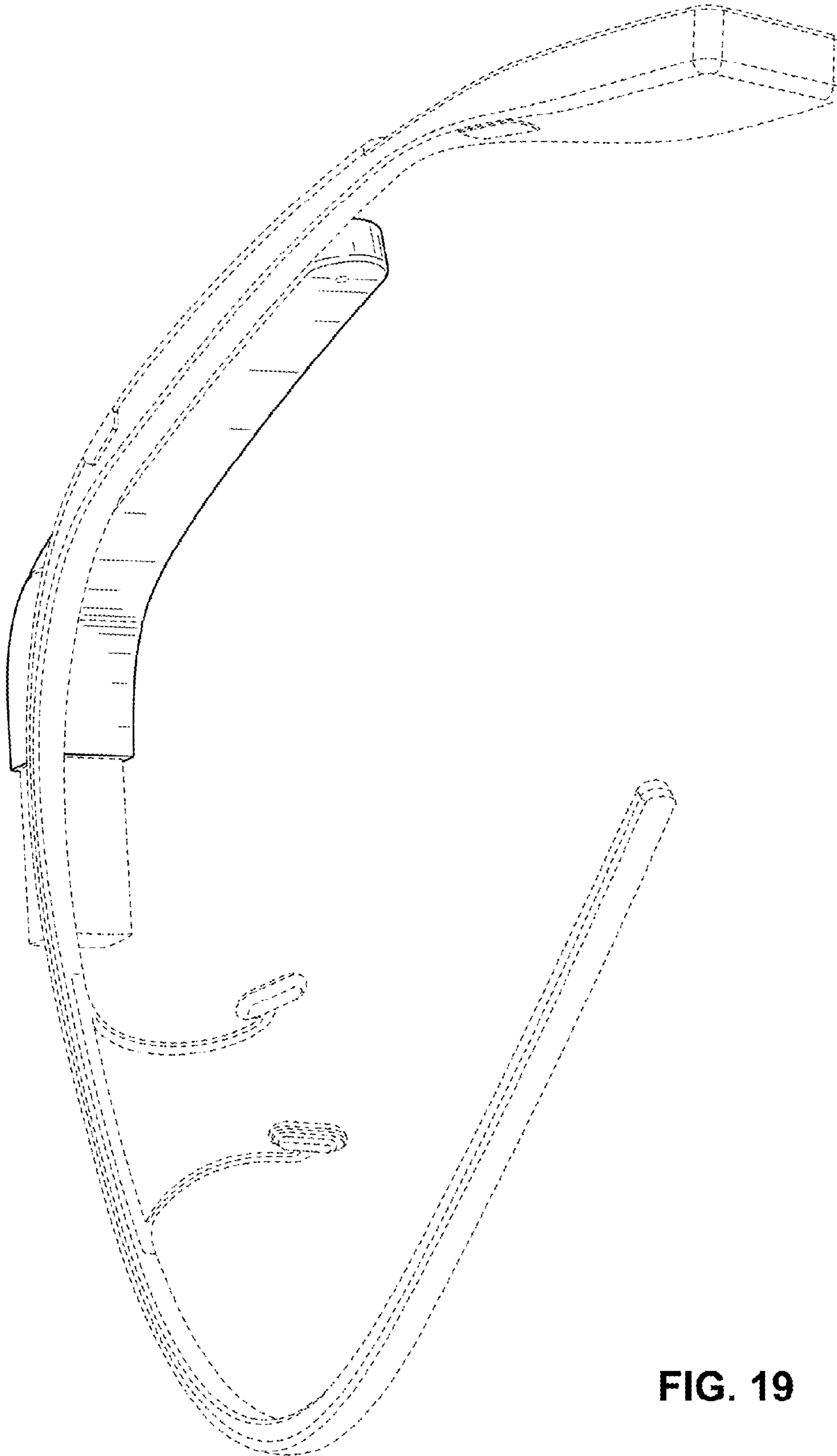


FIG. 19

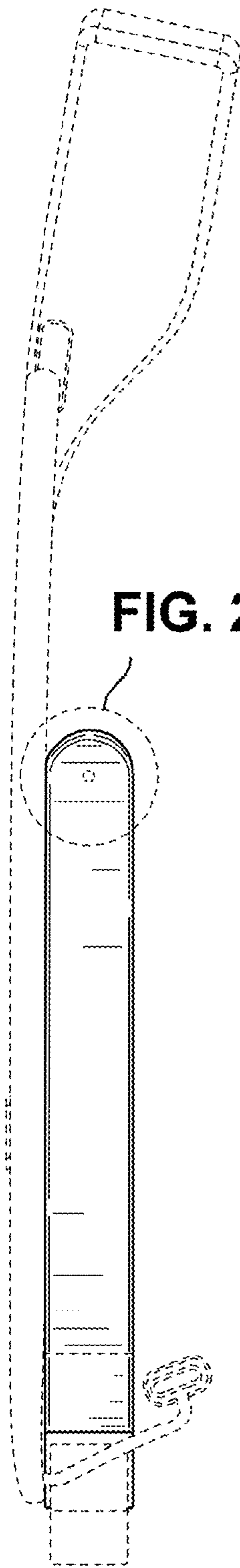


FIG. 20B

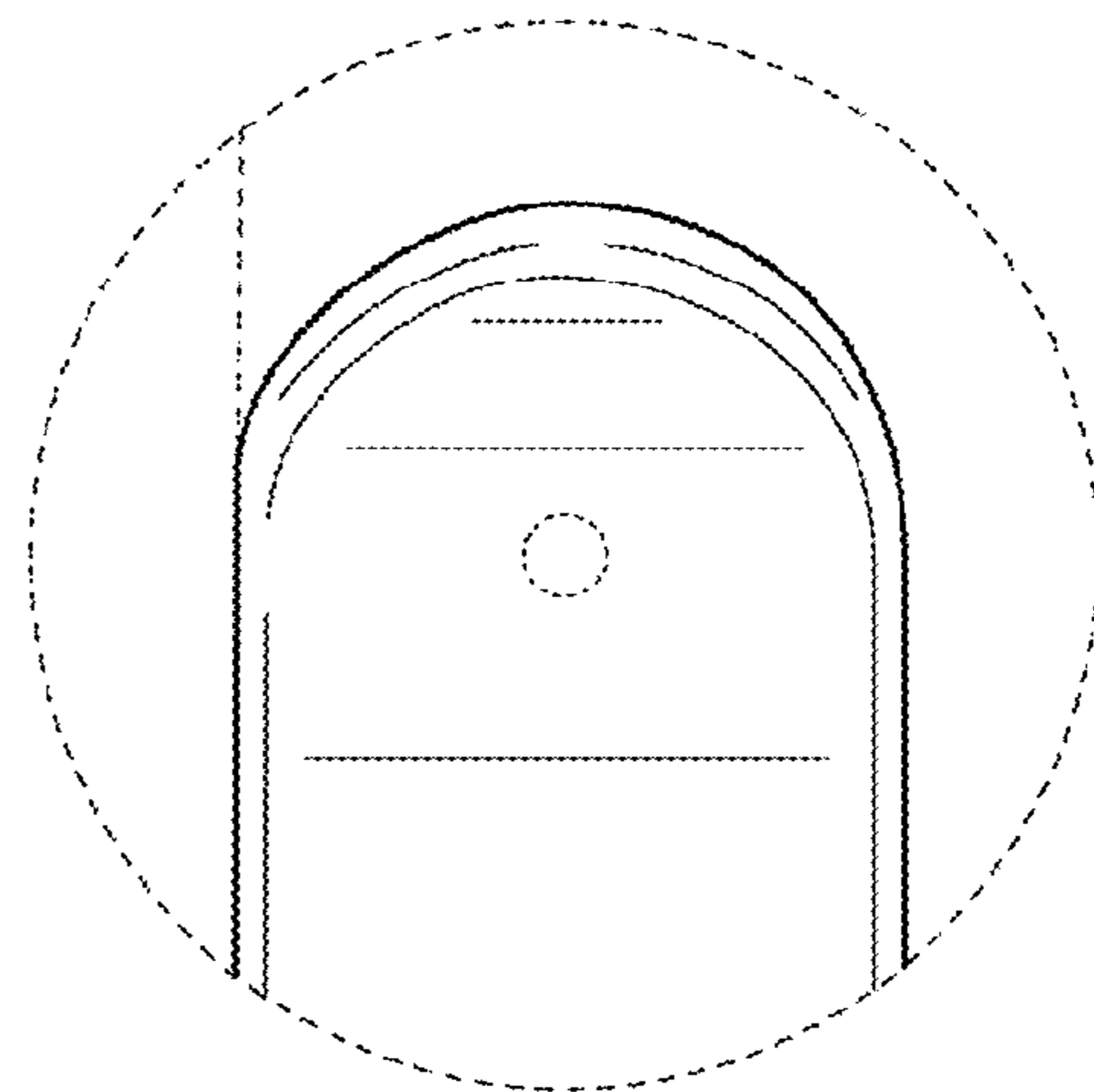


FIG. 20B

FIG. 20A

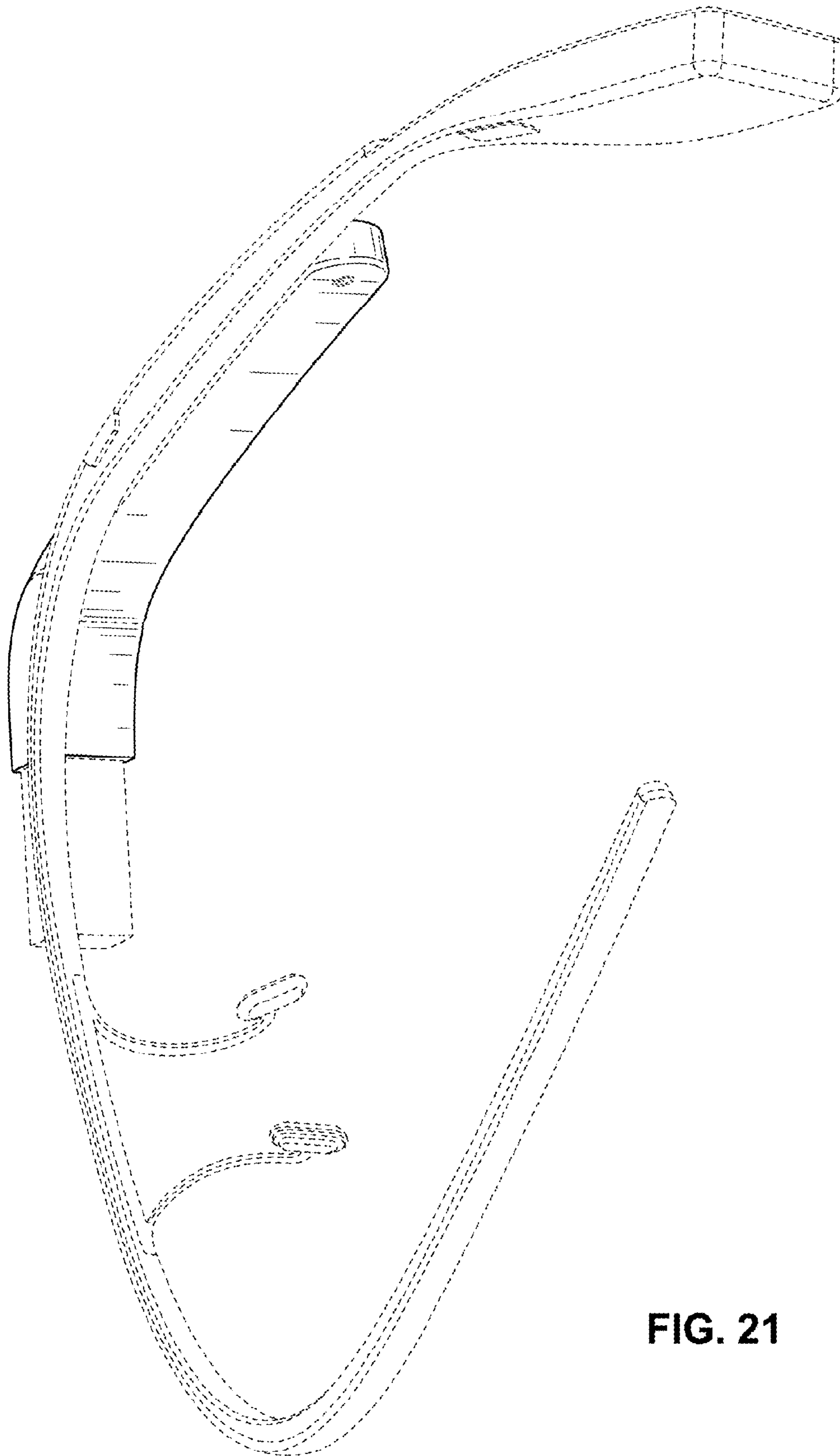


FIG. 21

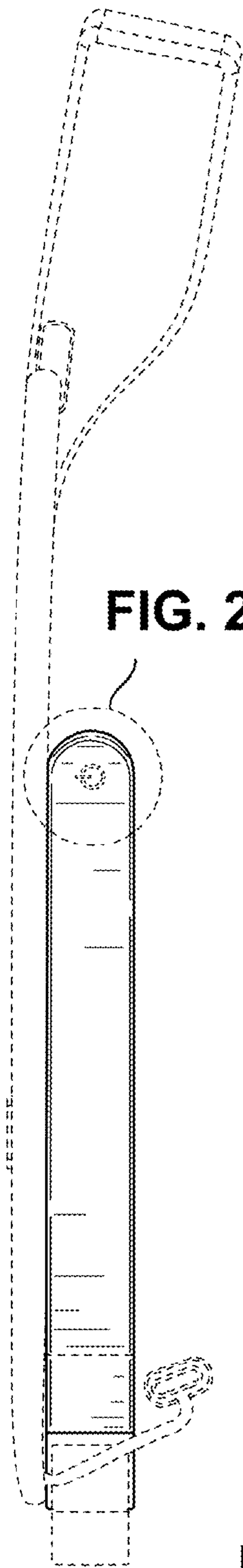


FIG. 22B

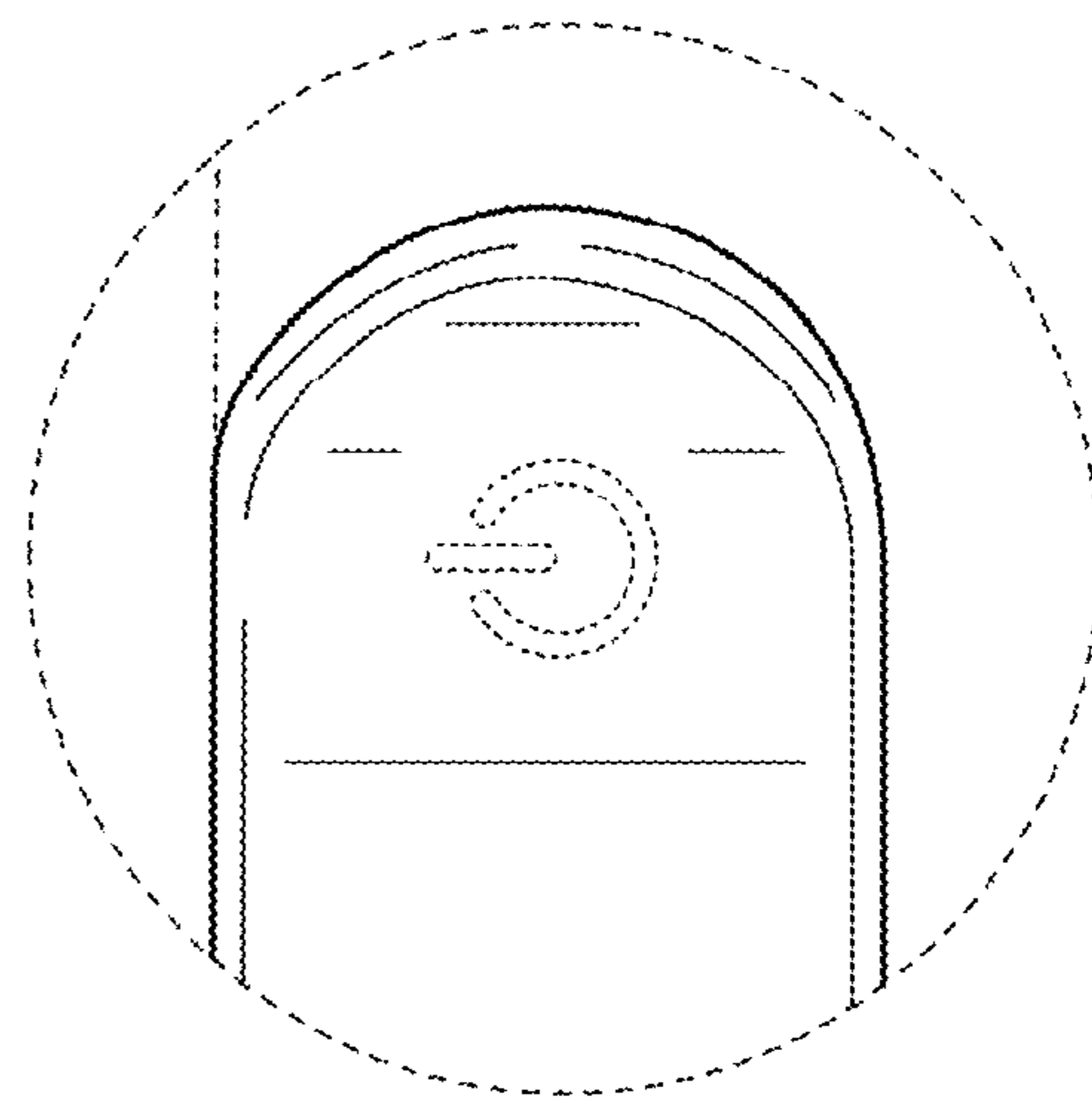


FIG. 22B

FIG. 22A

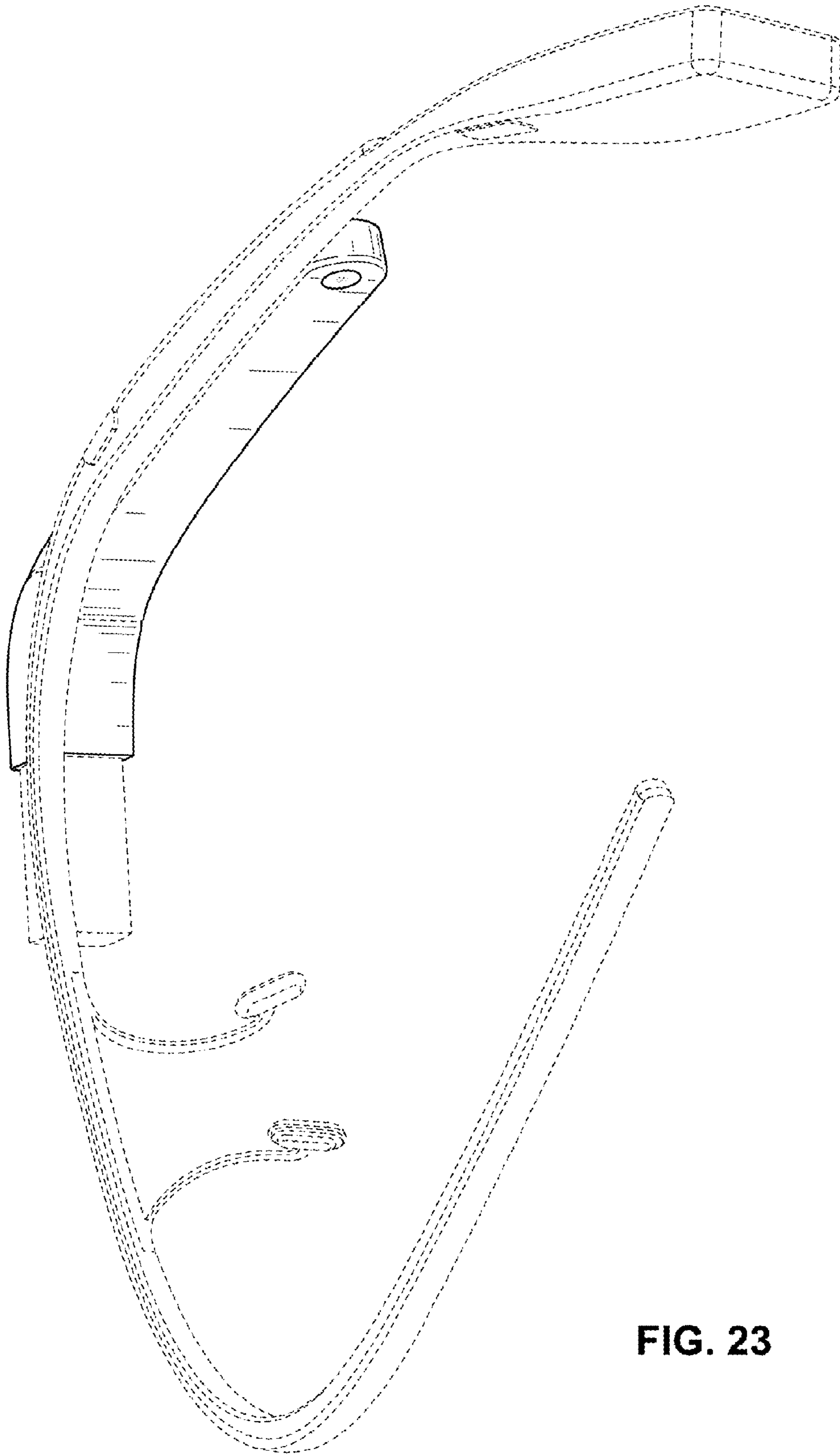


FIG. 23

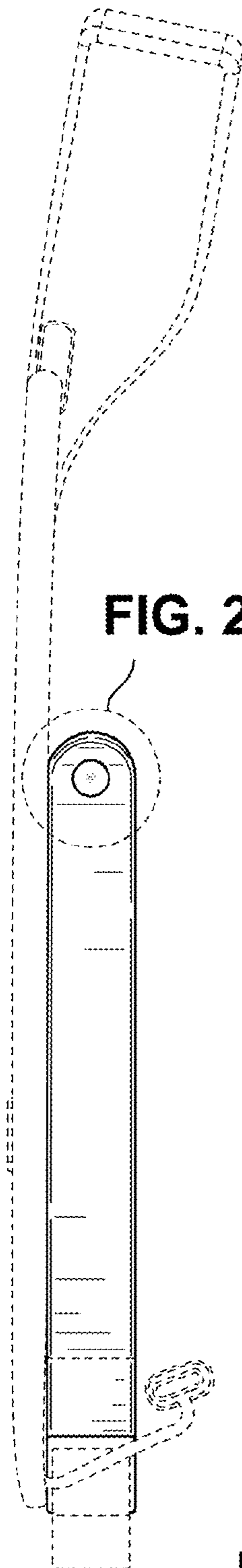


FIG. 24B

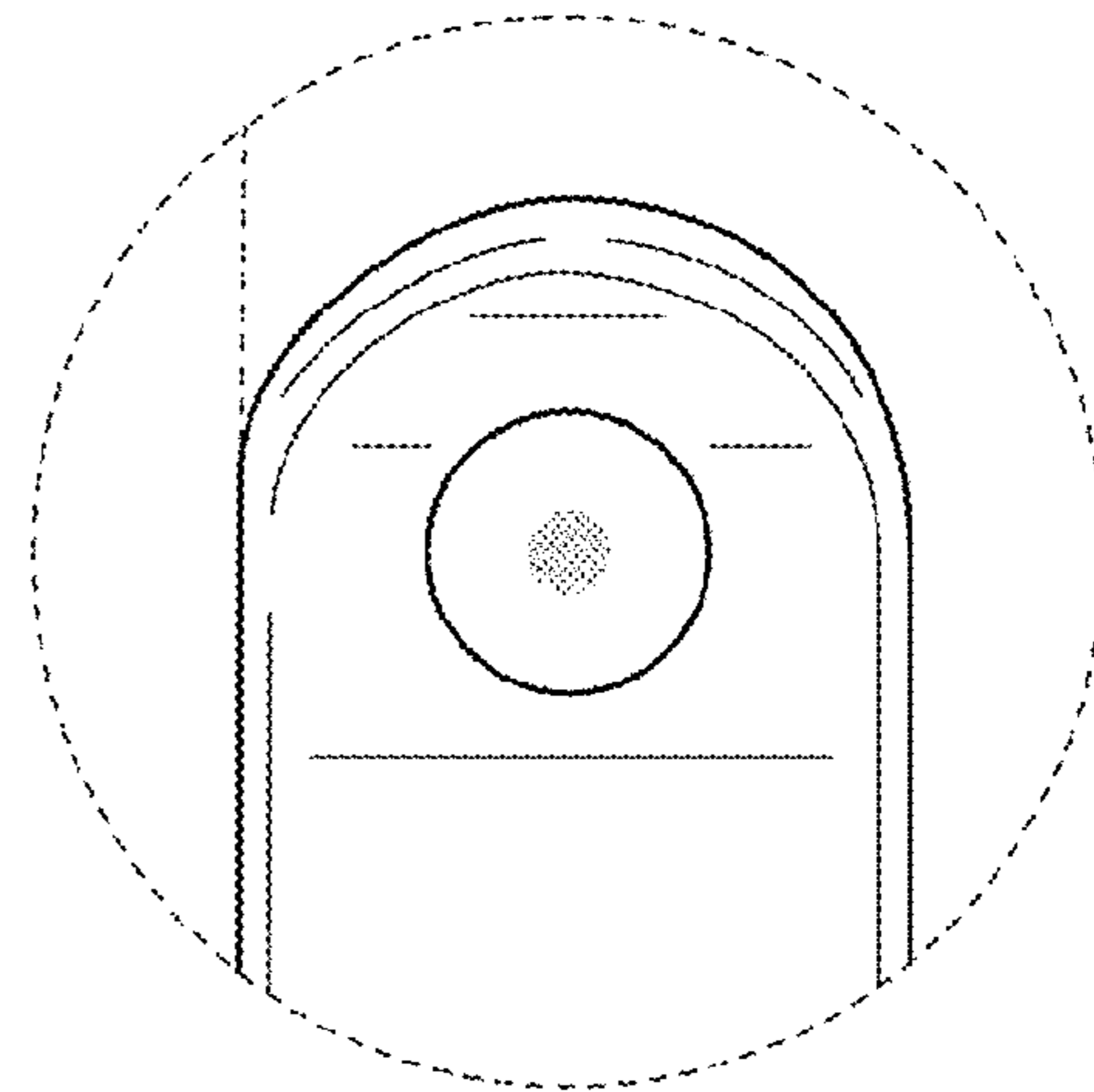


FIG. 24B

FIG. 24A

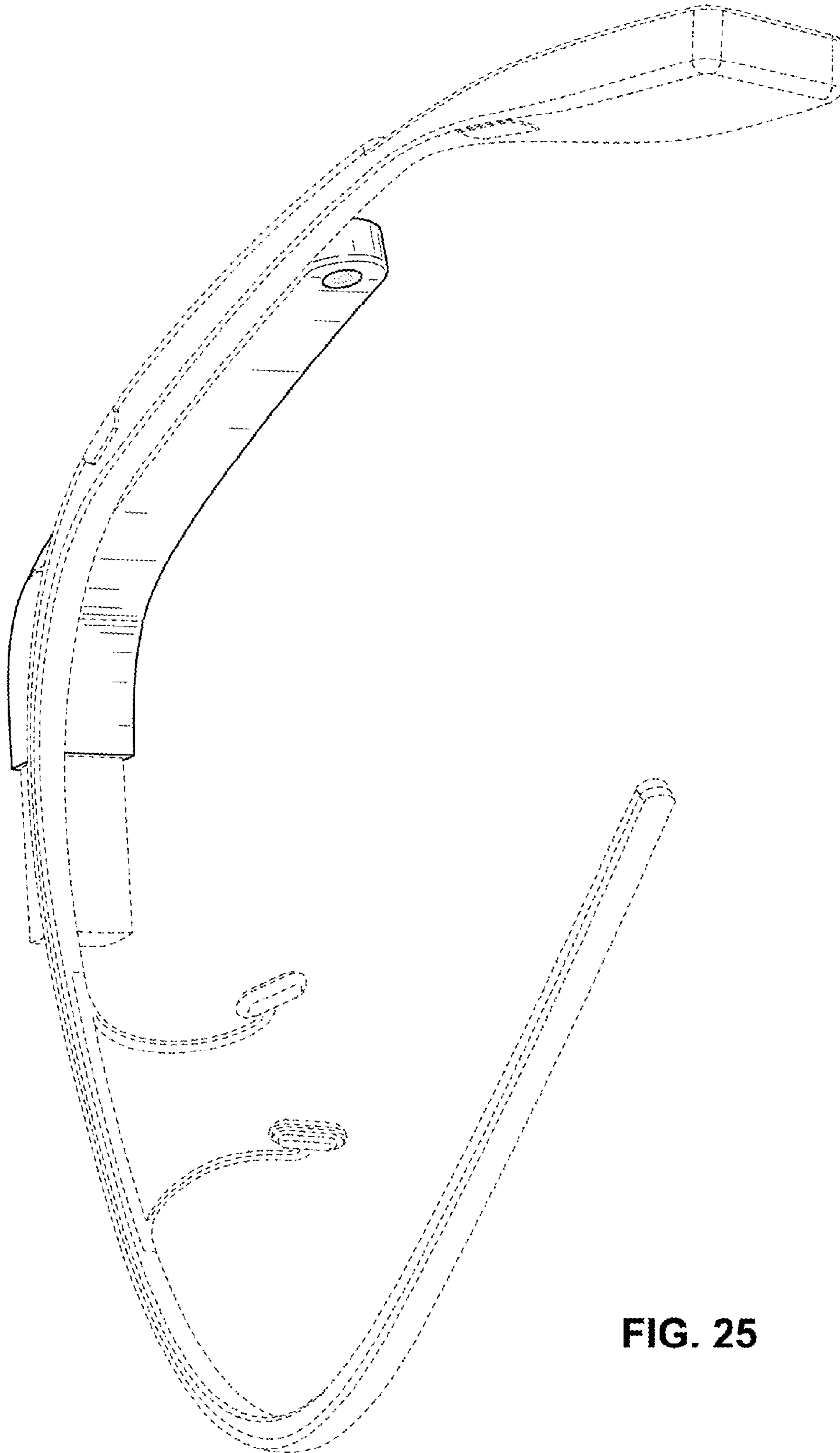


FIG. 25

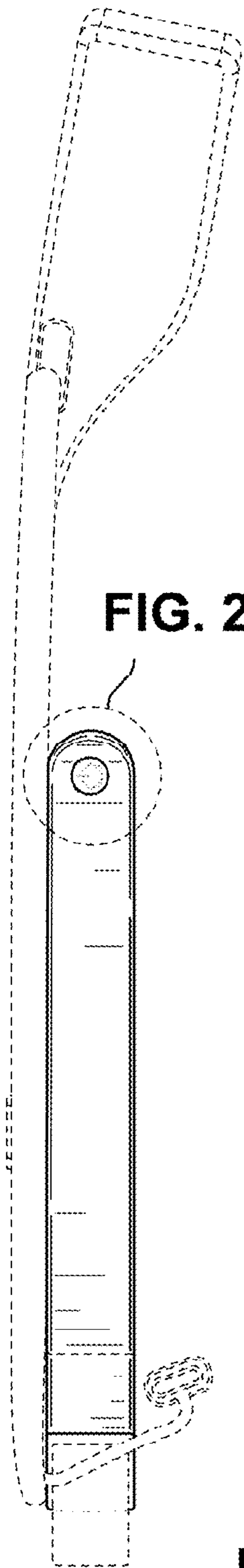


FIG. 26B

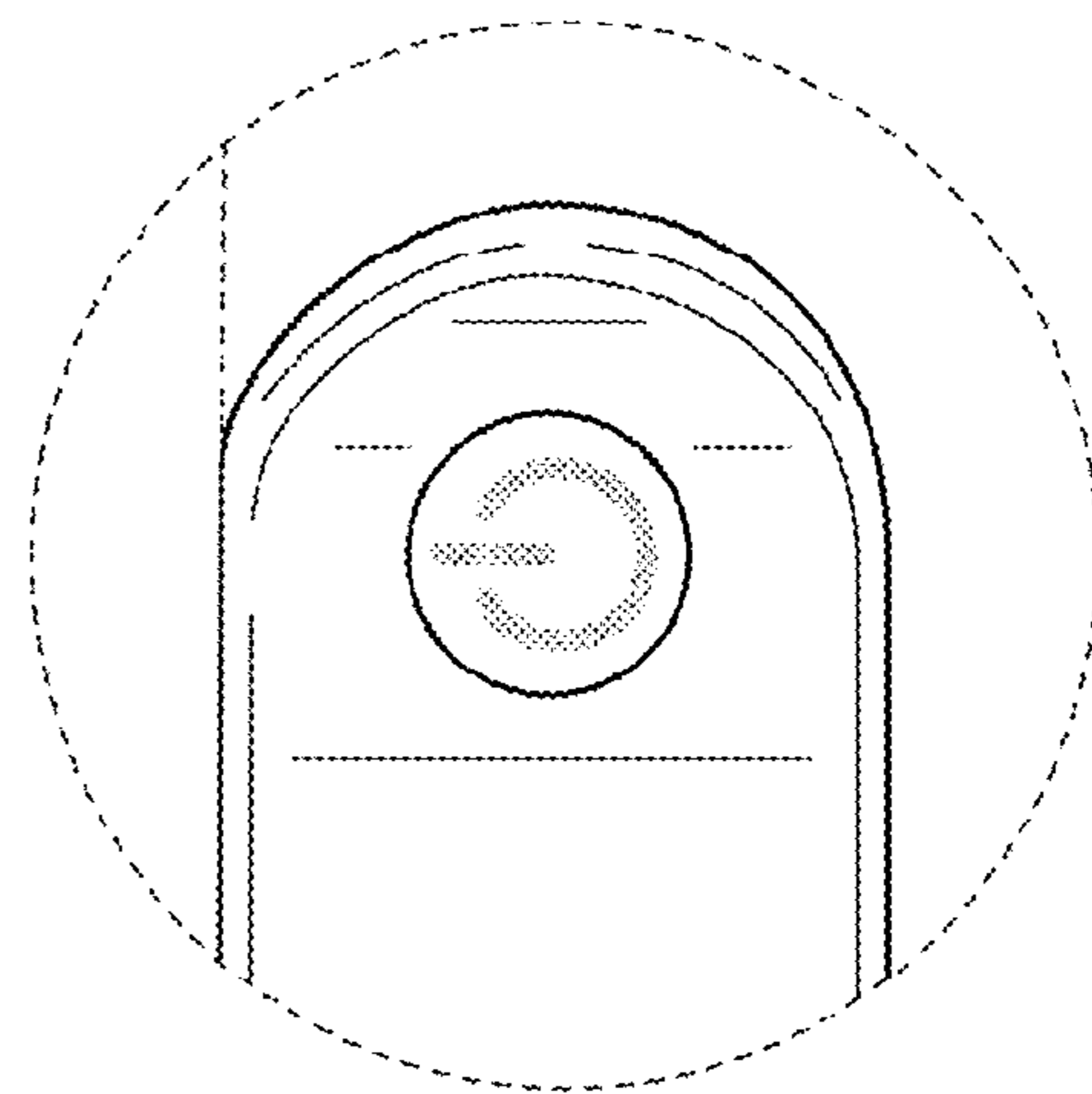


FIG. 26B

FIG. 26A

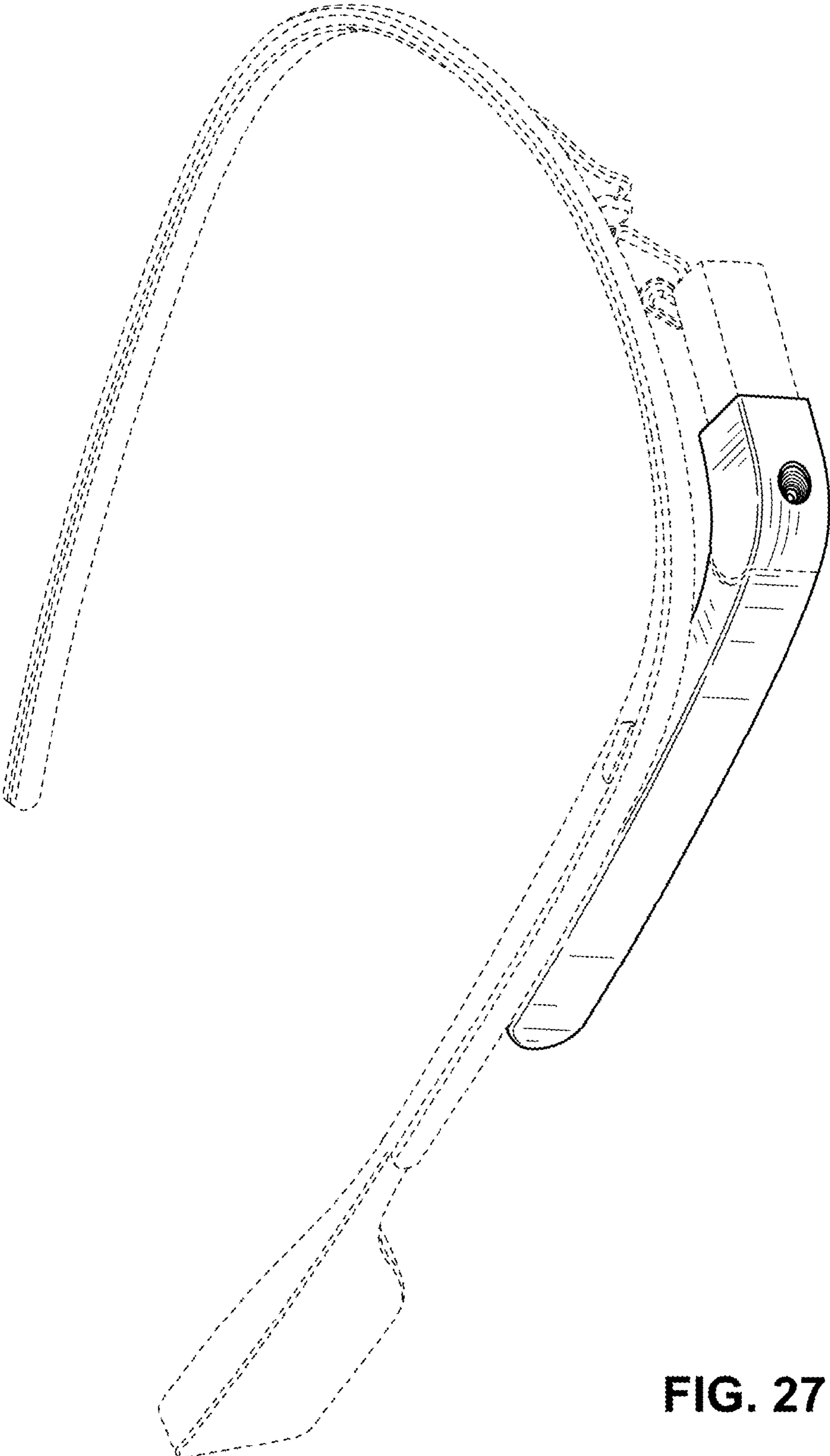


FIG. 27

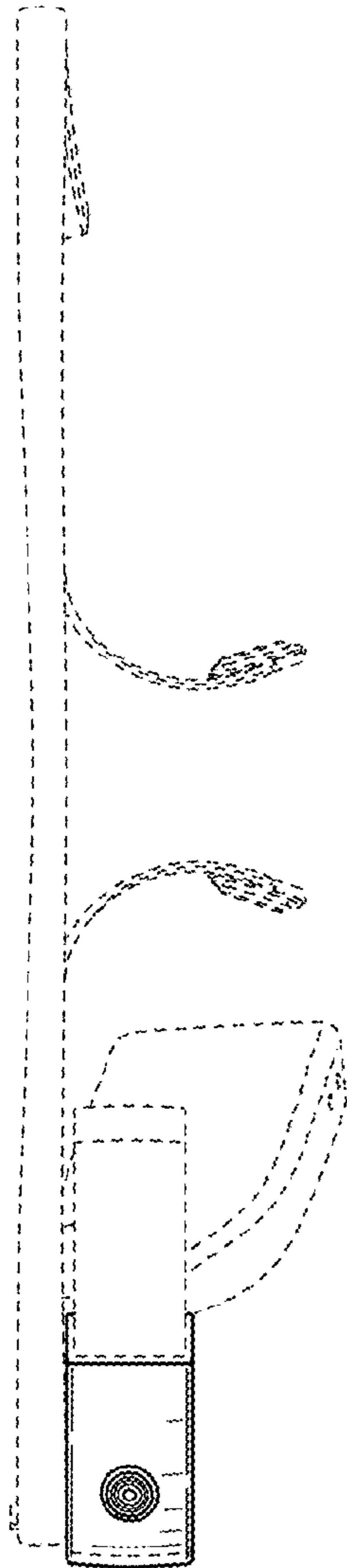


FIG. 28

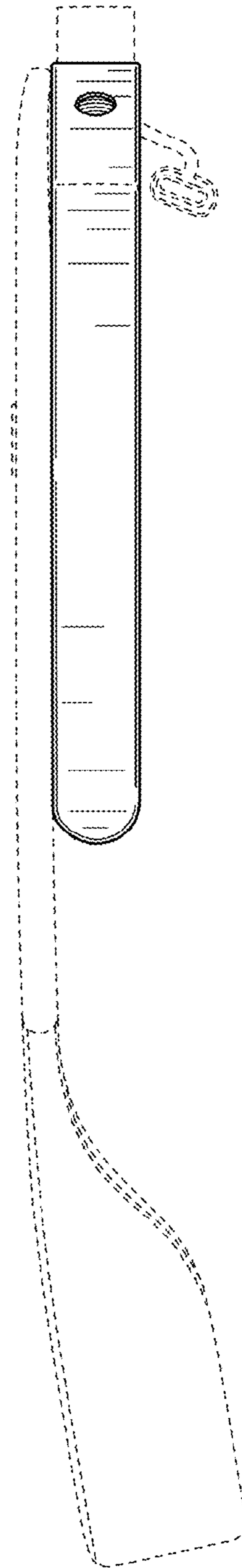


FIG. 29

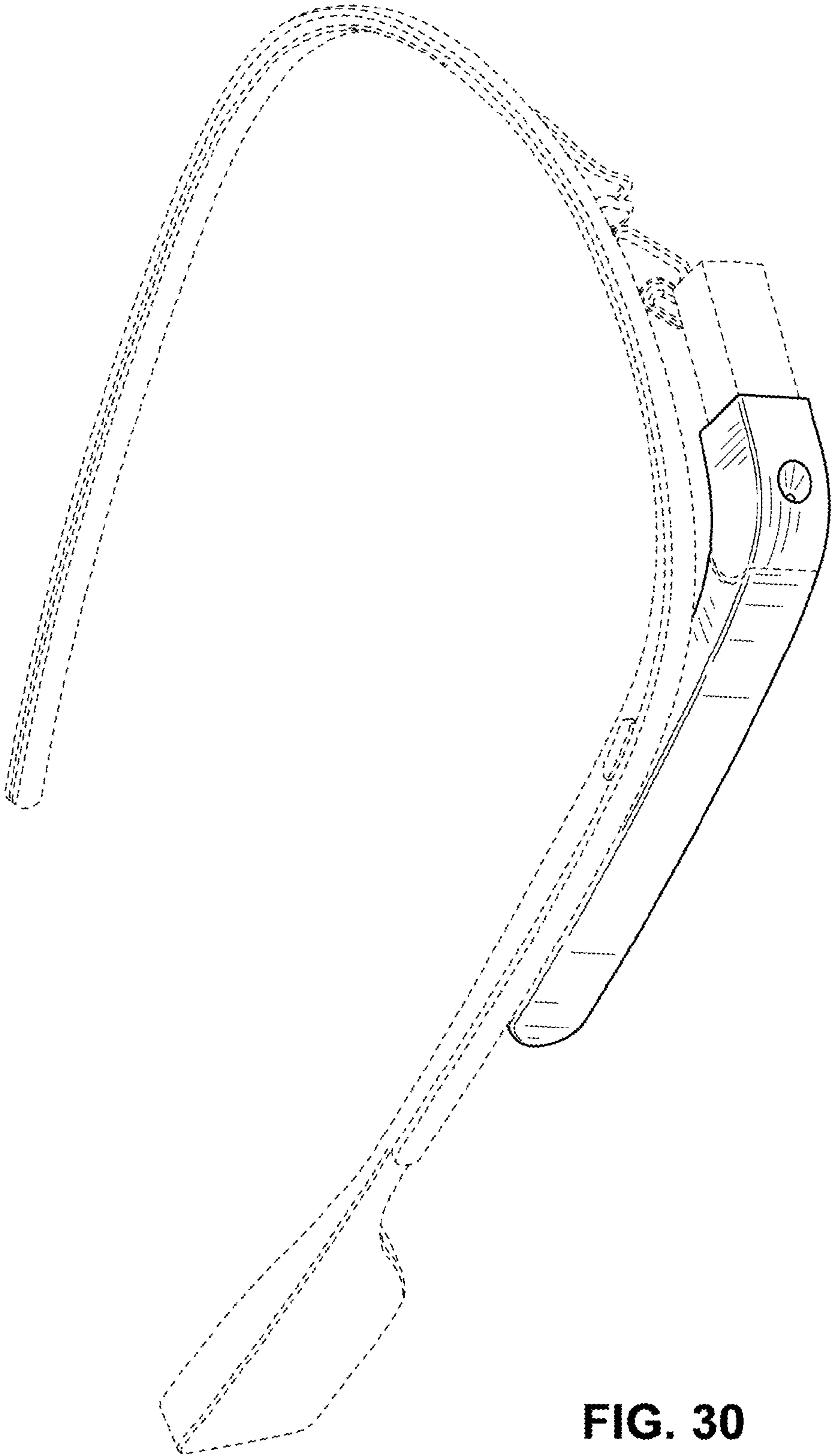


FIG. 30

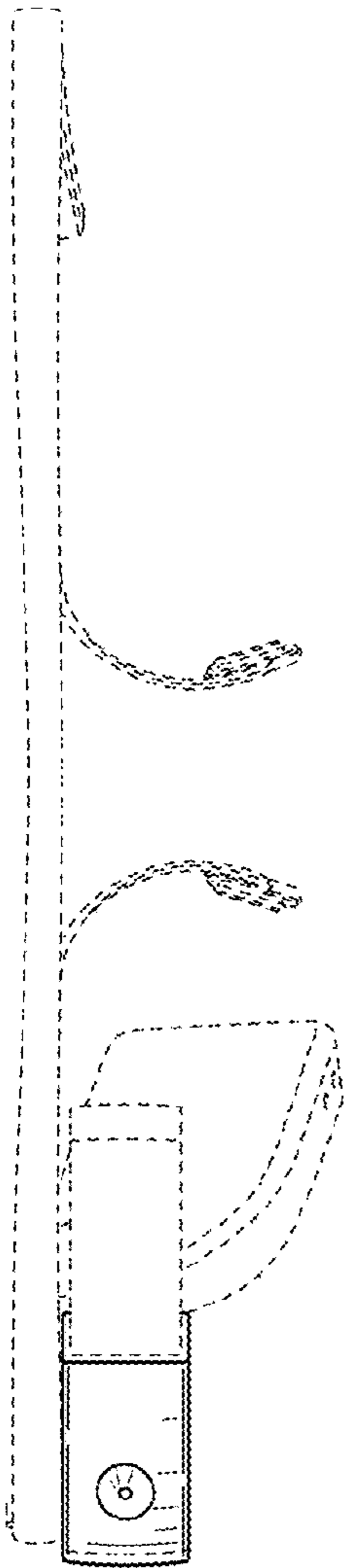


FIG. 31

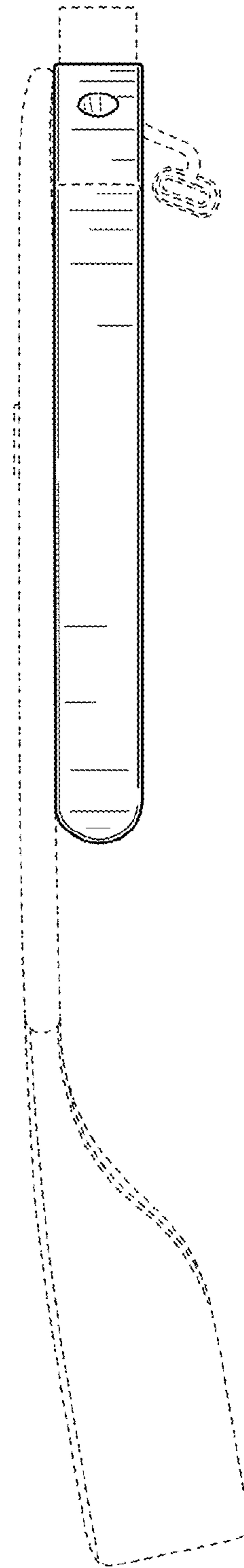


FIG. 32