



US00D734331S

(12) **United States Design Patent**  
**Wu et al.**

(10) **Patent No.:** **US D734,331 S**  
(45) **Date of Patent:** **\*\* Jul. 14, 2015**

(54) **WEARABLE DEVICE**

(71) Applicants: **Ting-Wei Wu**, Taipei (TW); **Pei-Jen Lin**, Taipei (TW); **Chang-Hua Wei**, Taipei (TW); **Pei-Pin Huang**, Taipei (TW); **Hong-Tien Wang**, Taipei (TW)

(72) Inventors: **Ting-Wei Wu**, Taipei (TW); **Pei-Jen Lin**, Taipei (TW); **Chang-Hua Wei**, Taipei (TW); **Pei-Pin Huang**, Taipei (TW); **Hong-Tien Wang**, Taipei (TW)

(73) Assignee: **COMPAL ELECTRONICS, INC.**, Taipei (TW)

(\*\*) Term: **14 Years**

(21) Appl. No.: **29/479,335**

(22) Filed: **Jan. 15, 2014**

(51) **LOC (10) Cl.** ..... **14-02**

(52) **U.S. Cl.**  
USPC ..... **D14/344**

(58) **Field of Classification Search**  
USPC ..... D14/138 A, 138 R, 218, 240, 341, 342, D14/343, 344, 345, 346, 347, 358, 420, 426, D14/427, 496; D10/30, 31, 32, 37, 38, 39, D10/65, 70, 98; 368/281, 282, 294, 295, 368/296; D11/2, 3, 4, 5; 379/433.1; D24/165, 167, 186

See application file for complete search history.

(56) **References Cited**

**U.S. PATENT DOCUMENTS**

D249,244 S *	9/1978	Salter	.....	D10/32
D584,170 S *	1/2009	Morrison	.....	D10/32
D589,375 S *	3/2009	Tang	.....	D10/32
D594,000 S *	6/2009	Yeon	.....	D14/226
D637,918 S *	5/2011	Cobbett et al.	.....	D10/31
D660,726 S *	5/2012	Register et al.	.....	D10/38
D667,126 S *	9/2012	Cho et al.	.....	D24/186
D672,255 S *	12/2012	Zanella et al.	.....	D10/32
D688,582 S *	8/2013	Wilson	.....	D10/128
D693,251 S *	11/2013	Anderssen et al.	.....	D10/70

D719,123 S *	12/2014	Park et al.	.....	D14/138 R
D720,074 S *	12/2014	Suvilaakso et al.	.....	D24/167
2013/0001263 A1*	1/2013	Kai	.....	224/219

\* cited by examiner

*Primary Examiner* — Barbara Fox

*Assistant Examiner* — Chelsea Sealey

(74) *Attorney, Agent, or Firm* — Jianq Chyun IP Office

(57) **CLAIM**

The ornamental design for a wearable device, as shown and described.

**DESCRIPTION**

FIG. 1 is a perspective view of a wearable device showing our new design;

FIG. 2 is a front view thereof;

FIG. 3 is a rear view thereof;

FIG. 4 is a left side view thereof;

FIG. 5 is a right side view thereof;

FIG. 6 is a top view thereof;

FIG. 7 is a bottom view thereof;

FIG. 8 is an exploded perspective view thereof;

FIG. 9 is a perspective view of the strap thereof, shown separately for ease of illustration;

FIG. 10 is a front view thereof;

FIG. 11 is a rear view thereof;

FIG. 12 is a left side view thereof;

FIG. 13 is a right side view thereof;

FIG. 14 is a top view thereof;

FIG. 15 is a bottom view thereof;

FIG. 16 is a perspective view of the electronic device portion of FIG. 1, shown separately for ease of illustration;

FIG. 17 is a front view thereof;

FIG. 18 is a rear view thereof;

FIG. 19 is a left side view thereof;

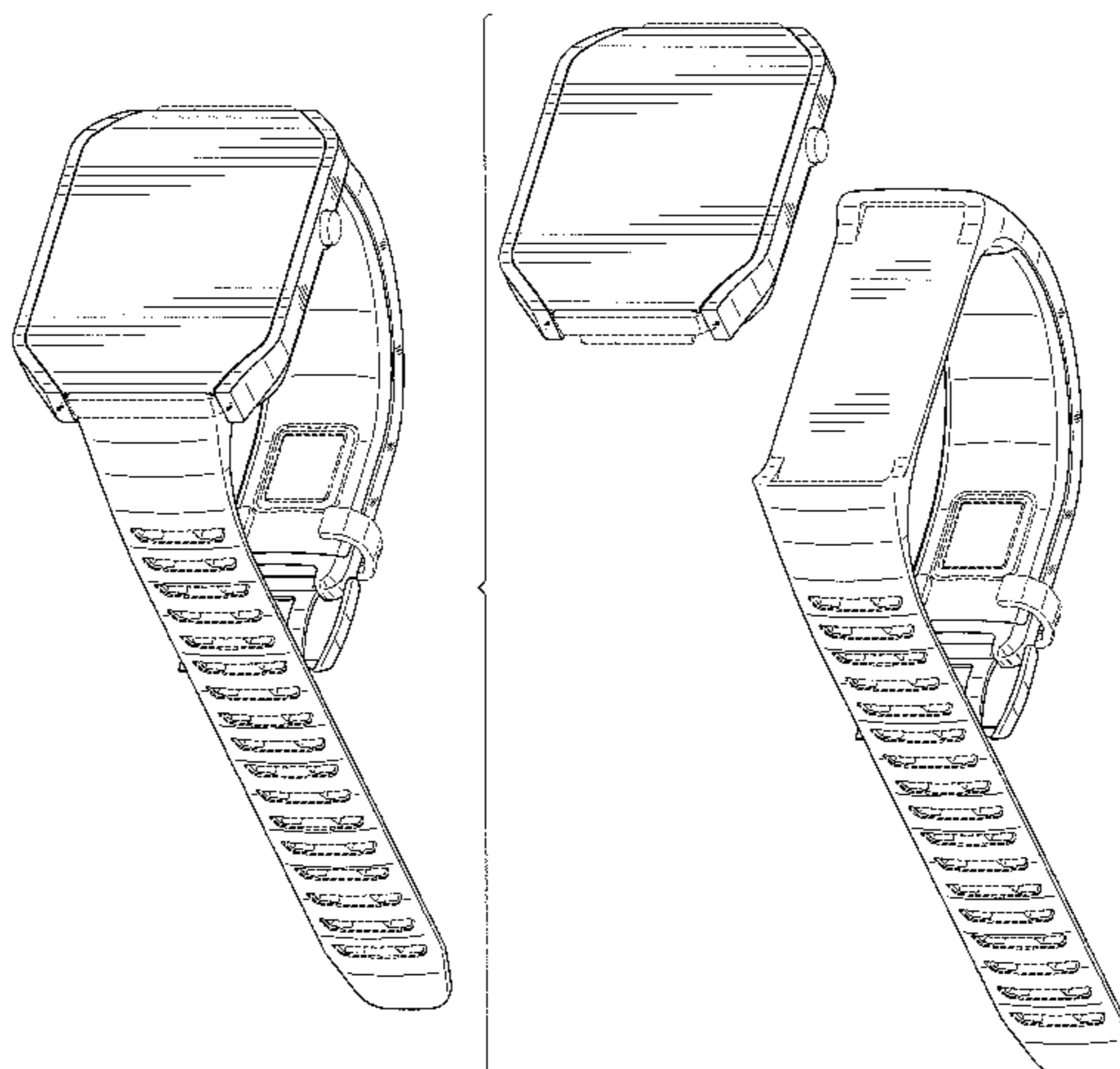
FIG. 20 is a right side view thereof;

FIG. 21 is a top view thereof; and,

FIG. 22 is a bottom view thereof.

The broken lines indicate portions of the wearable device that form no part of the claimed design.

**1 Claim, 19 Drawing Sheets**



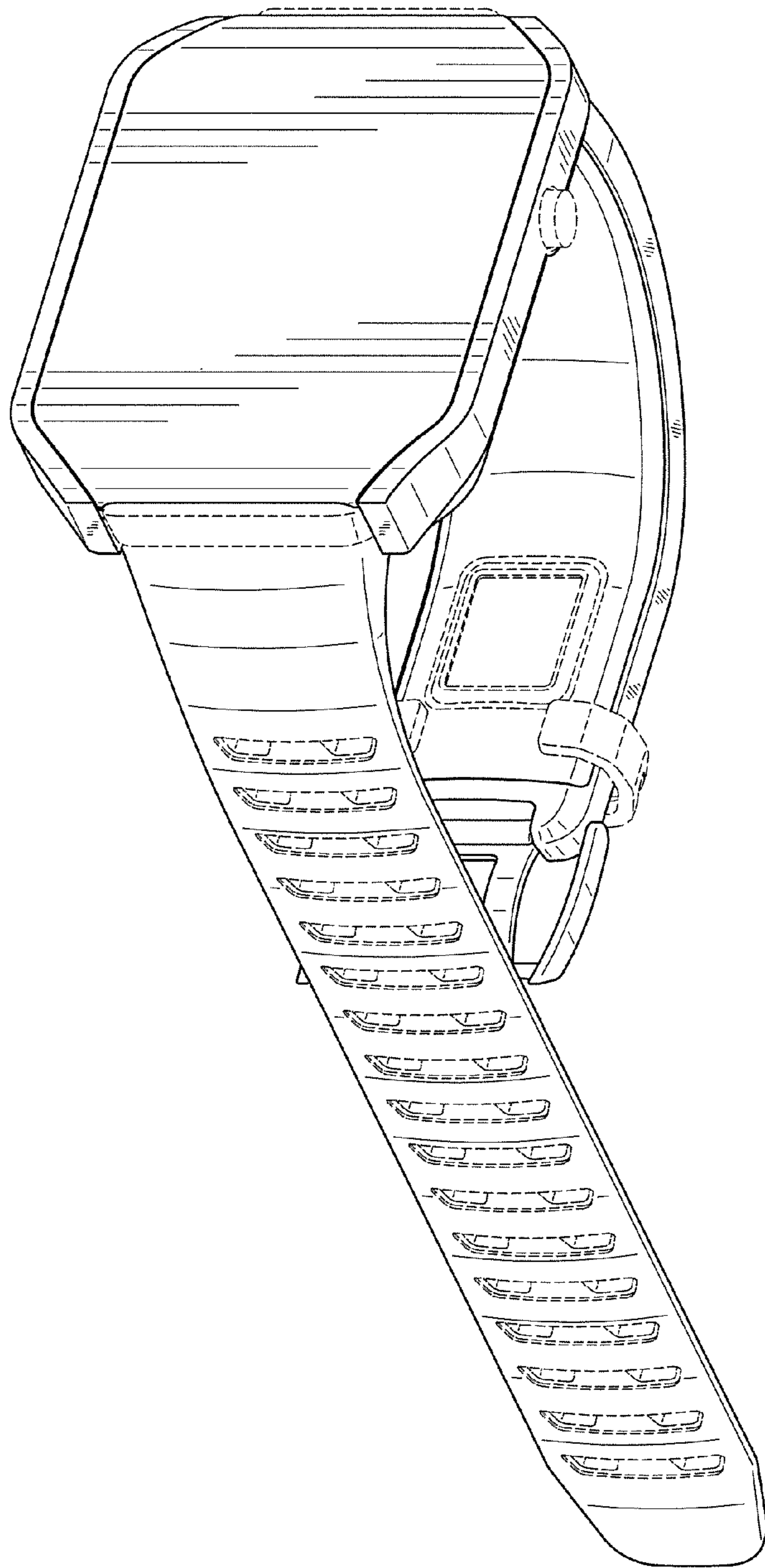


FIG. 1

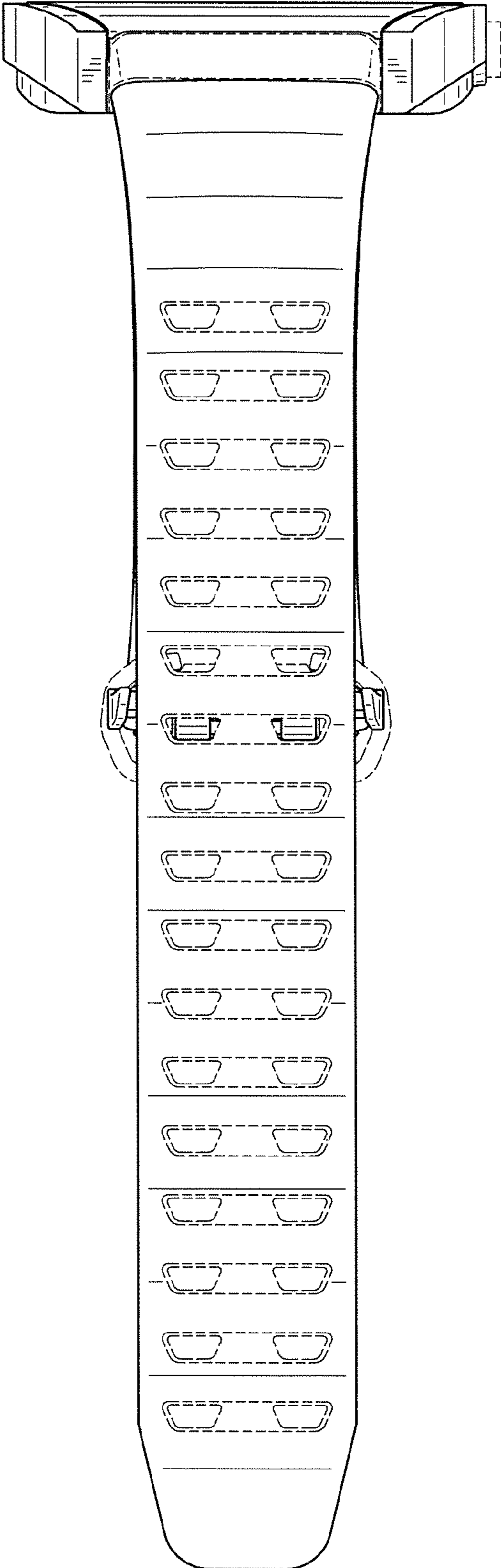


FIG. 2

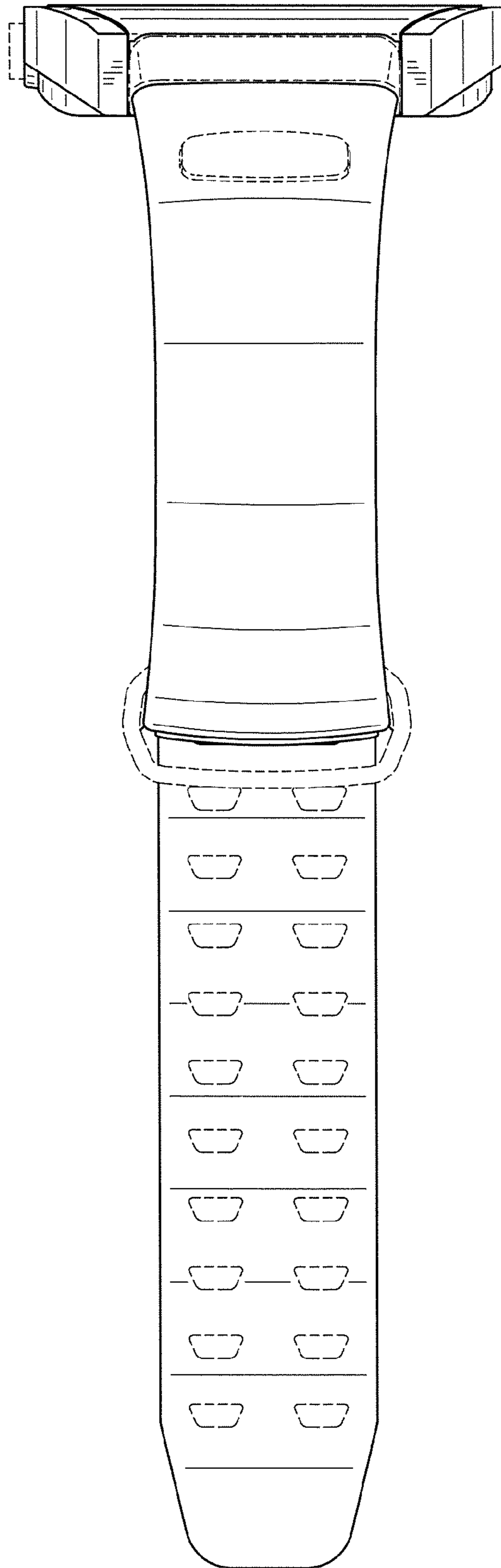


FIG. 3

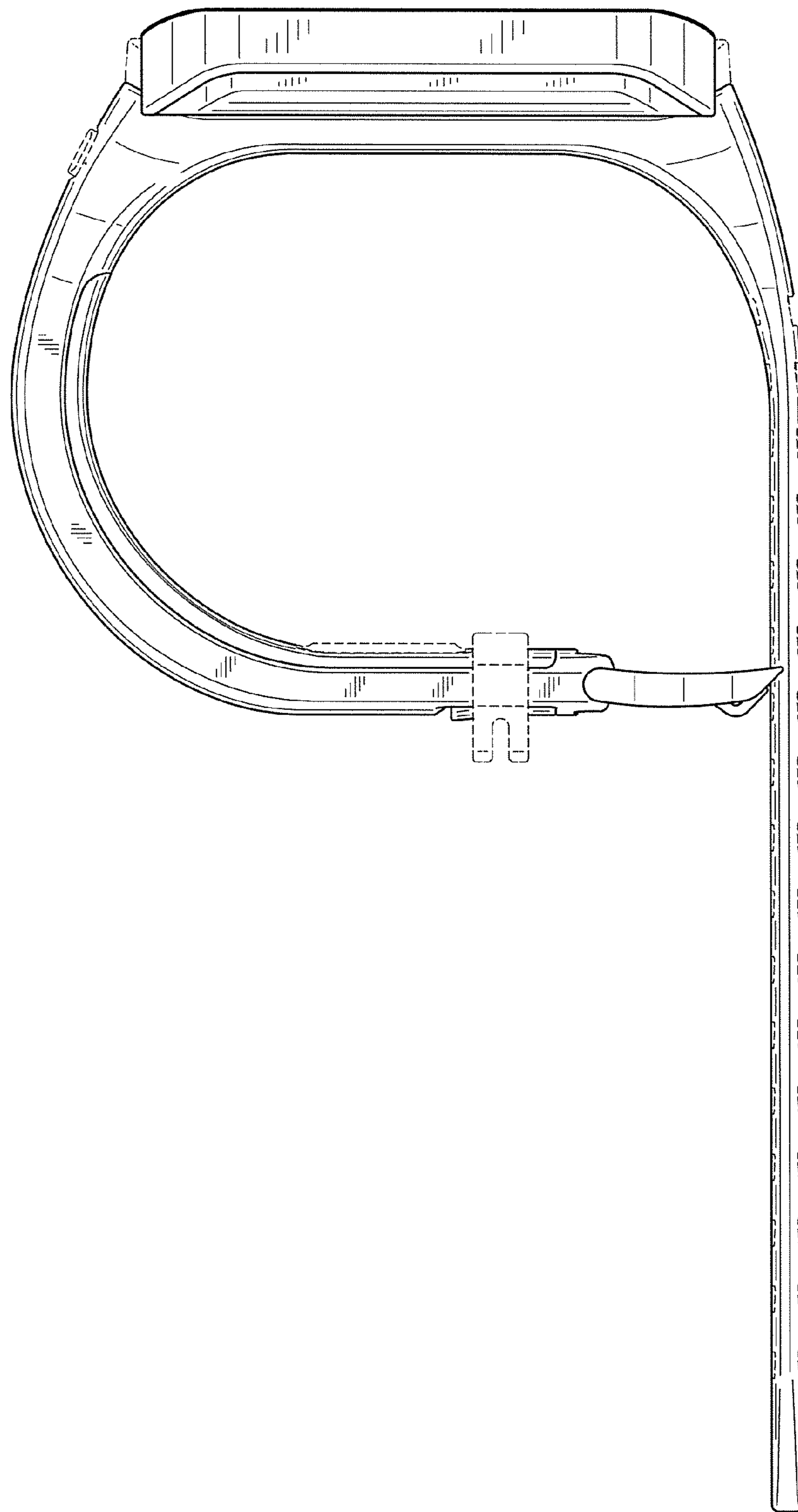


FIG. 4

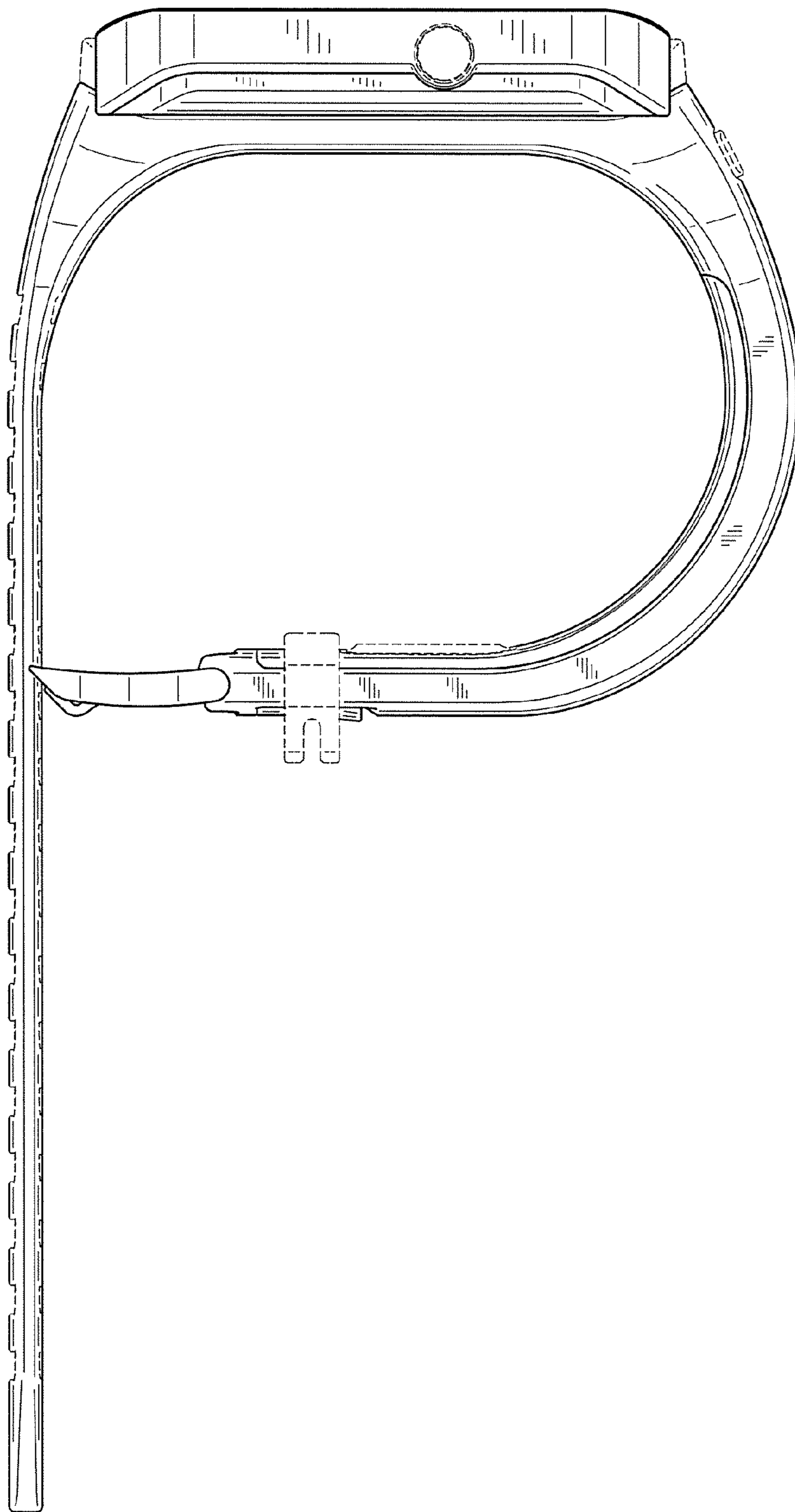


FIG. 5

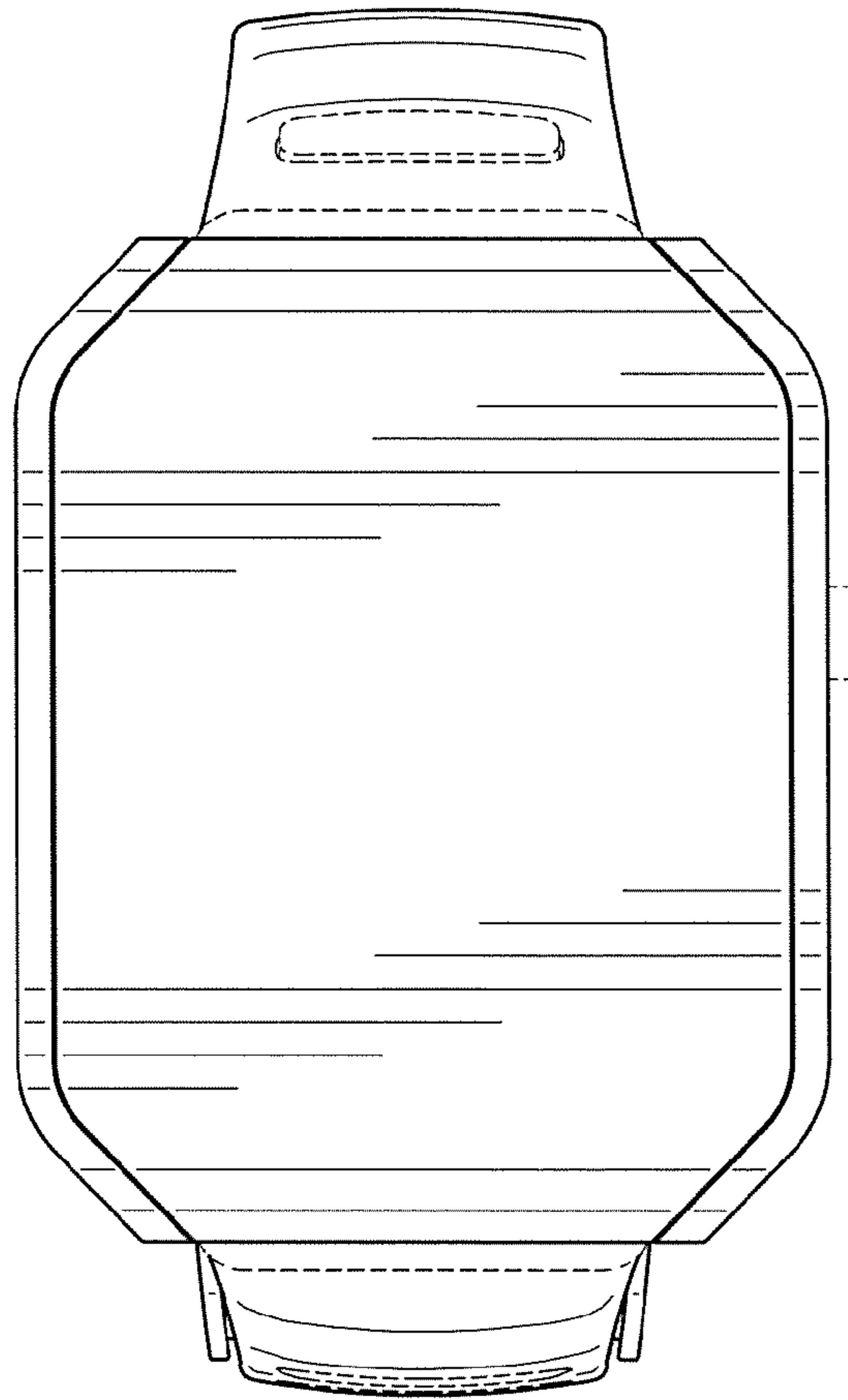


FIG. 6

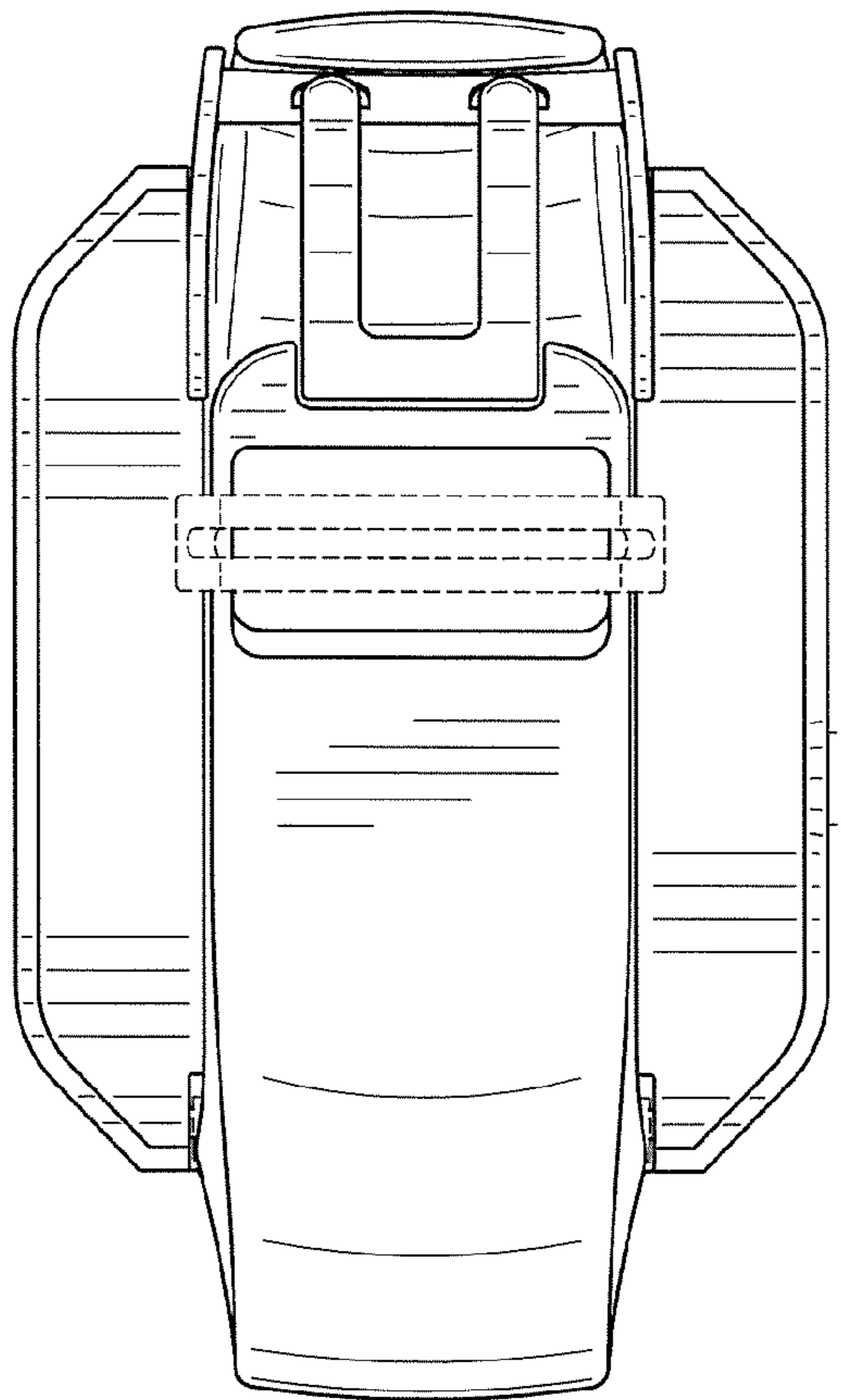


FIG. 7



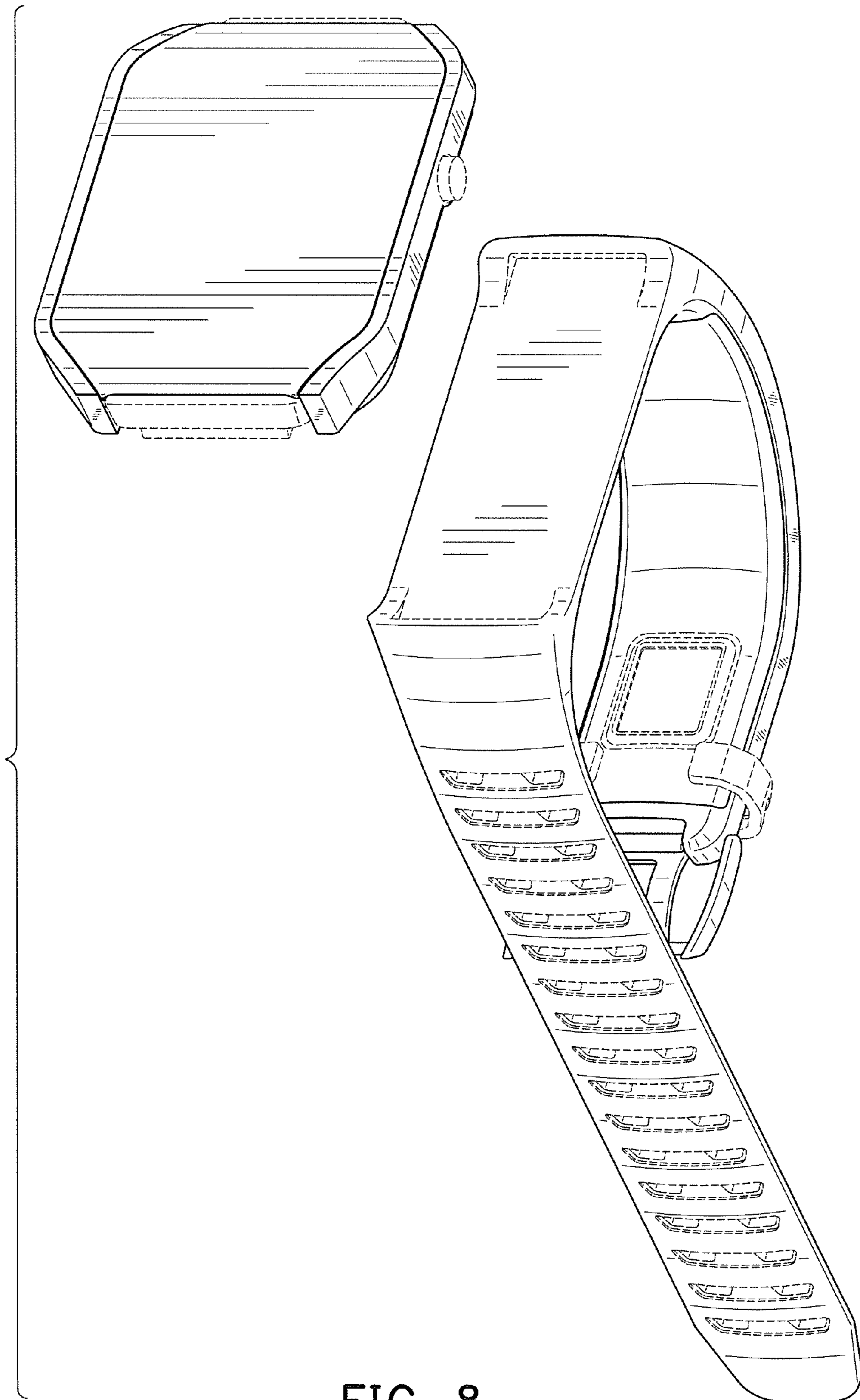


FIG. 8

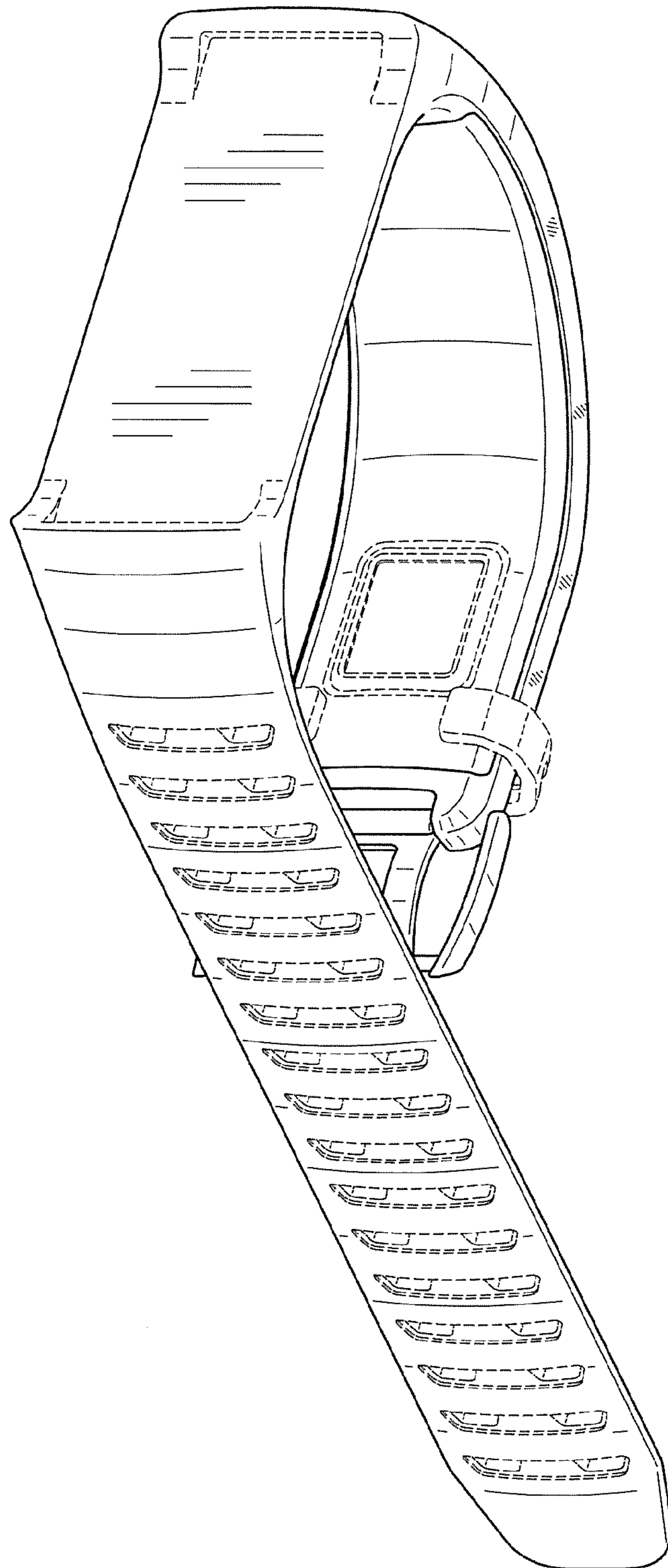


FIG. 9

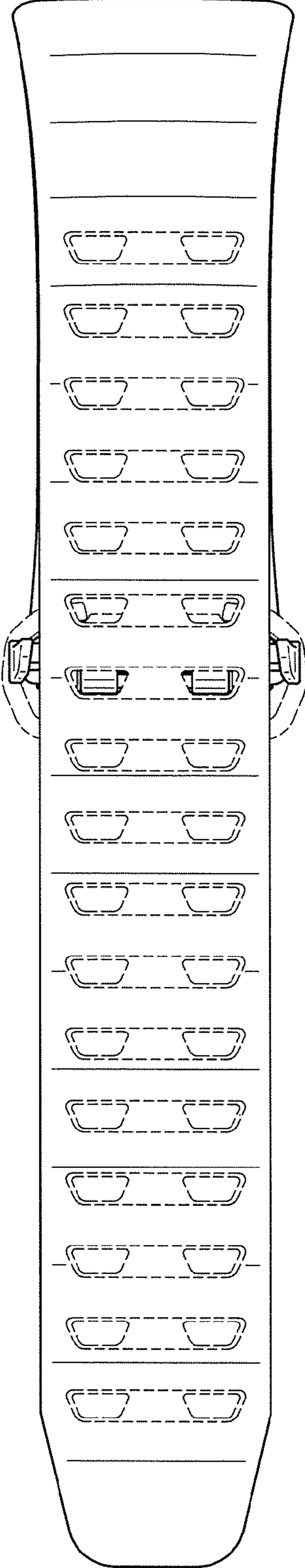


FIG. 10

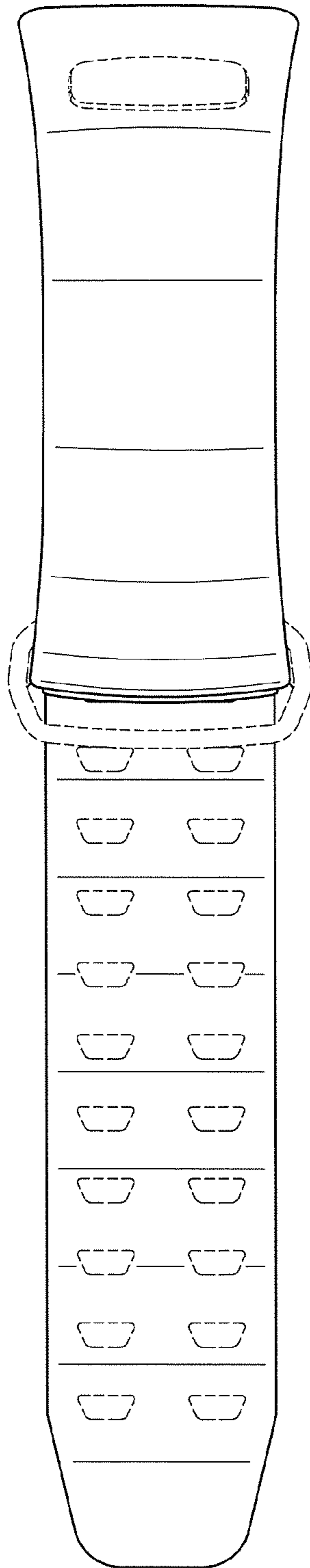


FIG. 11

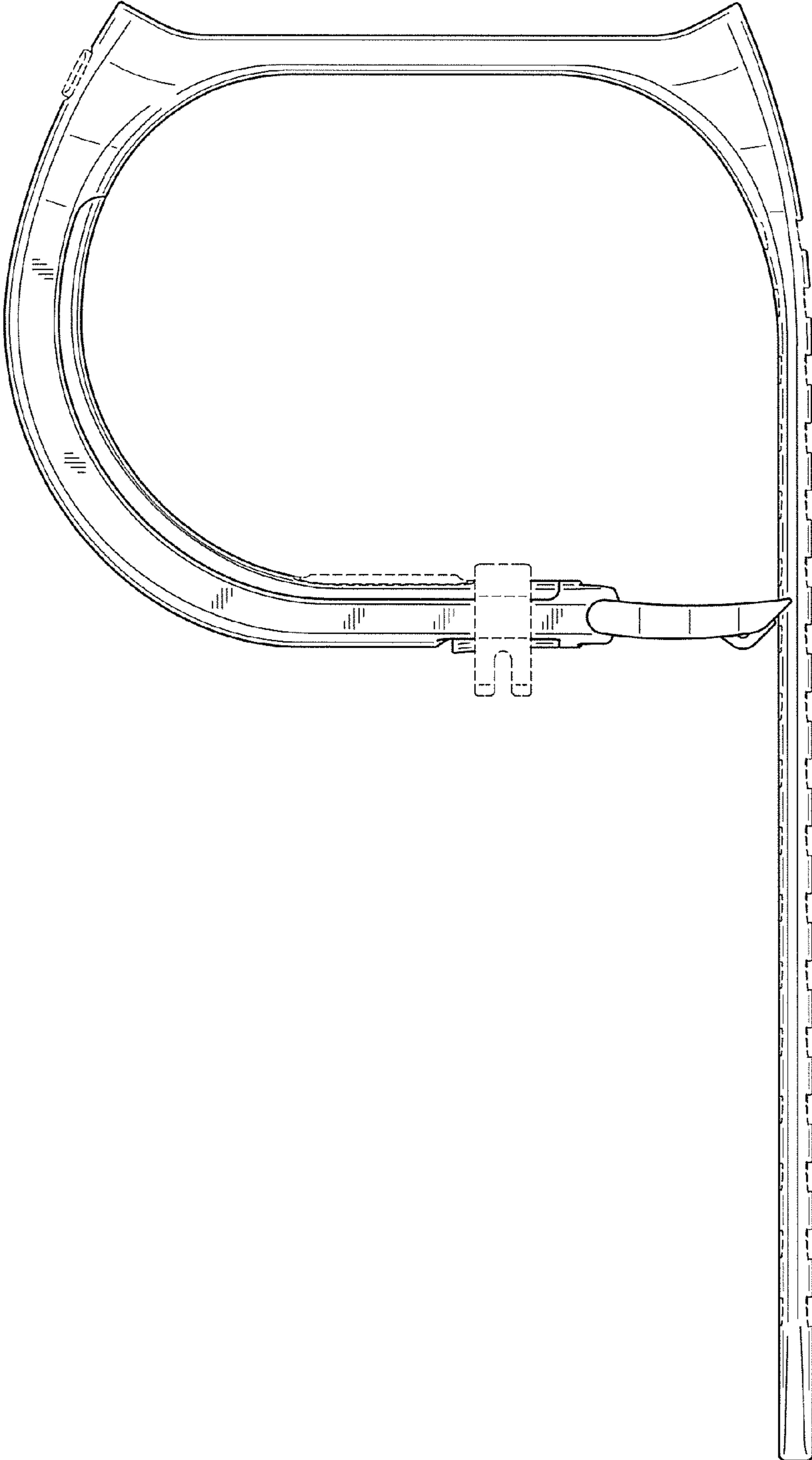


FIG. 12

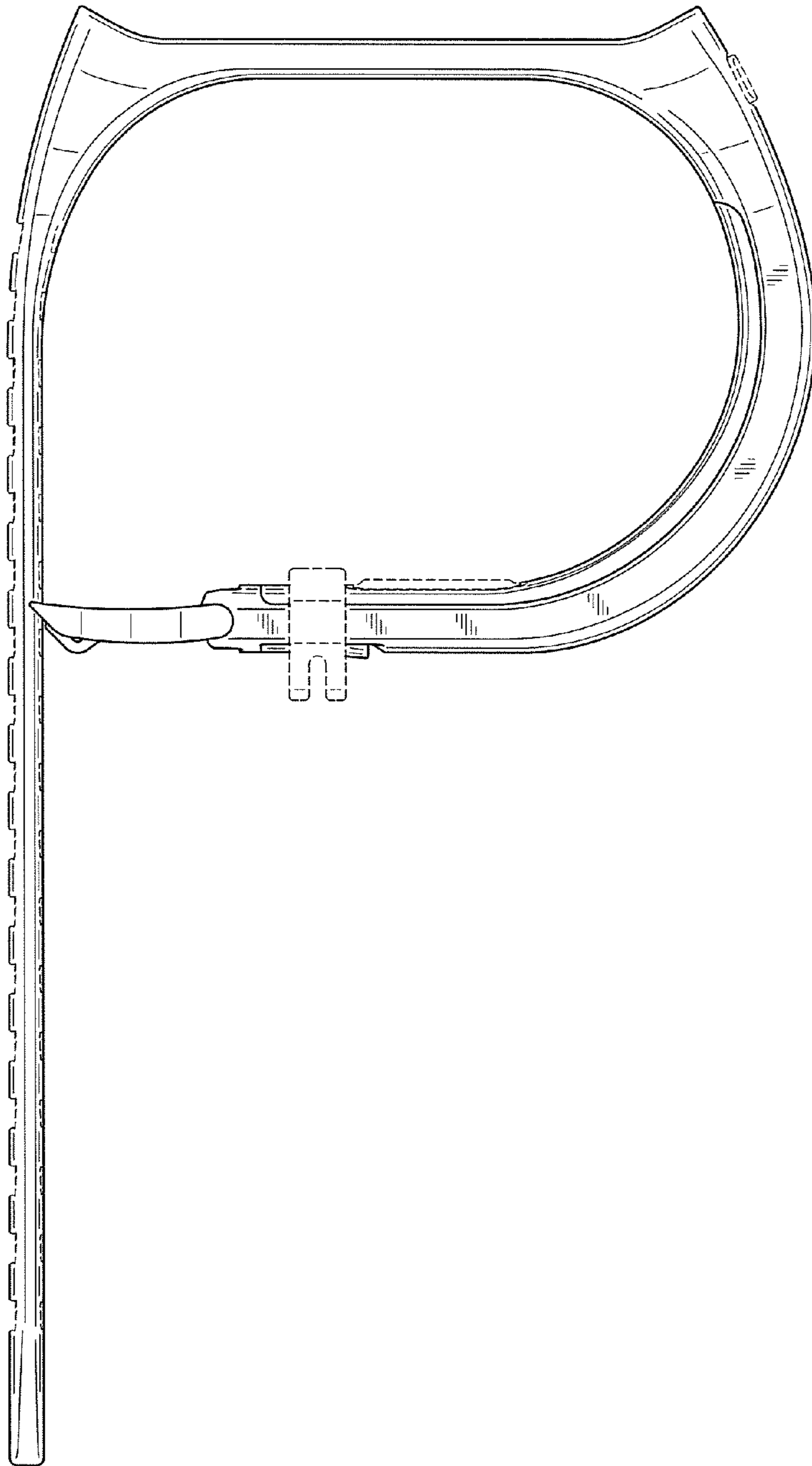


FIG. 13

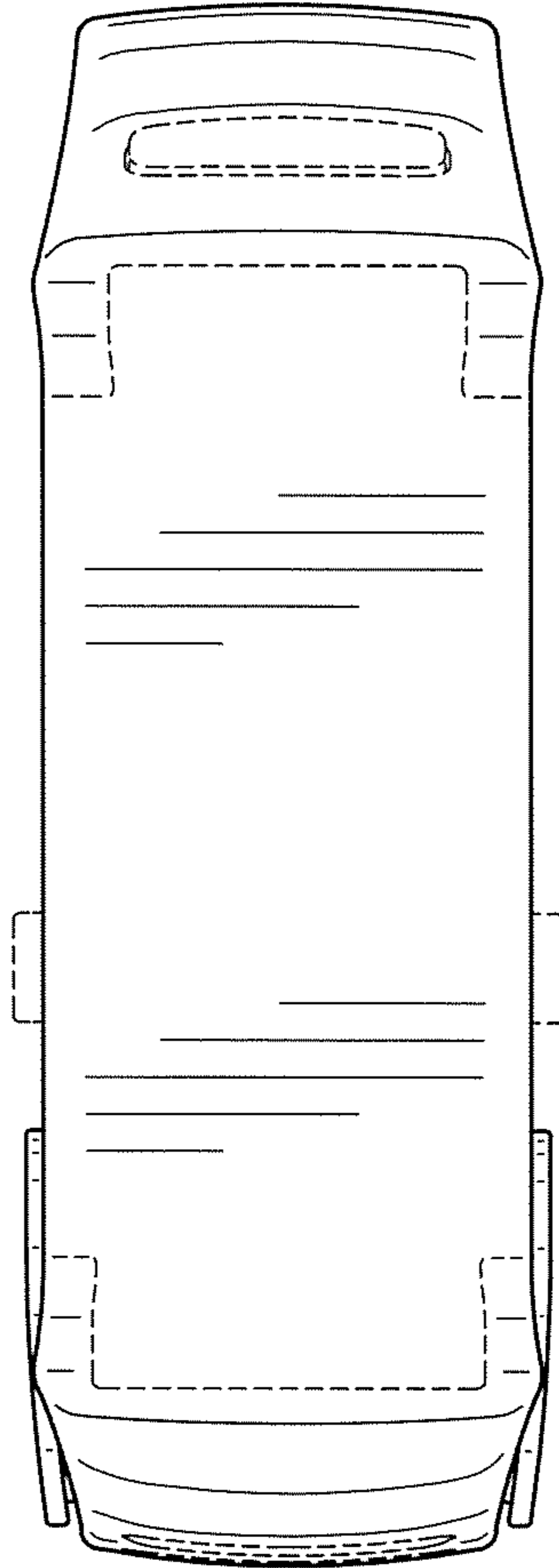


FIG. 14

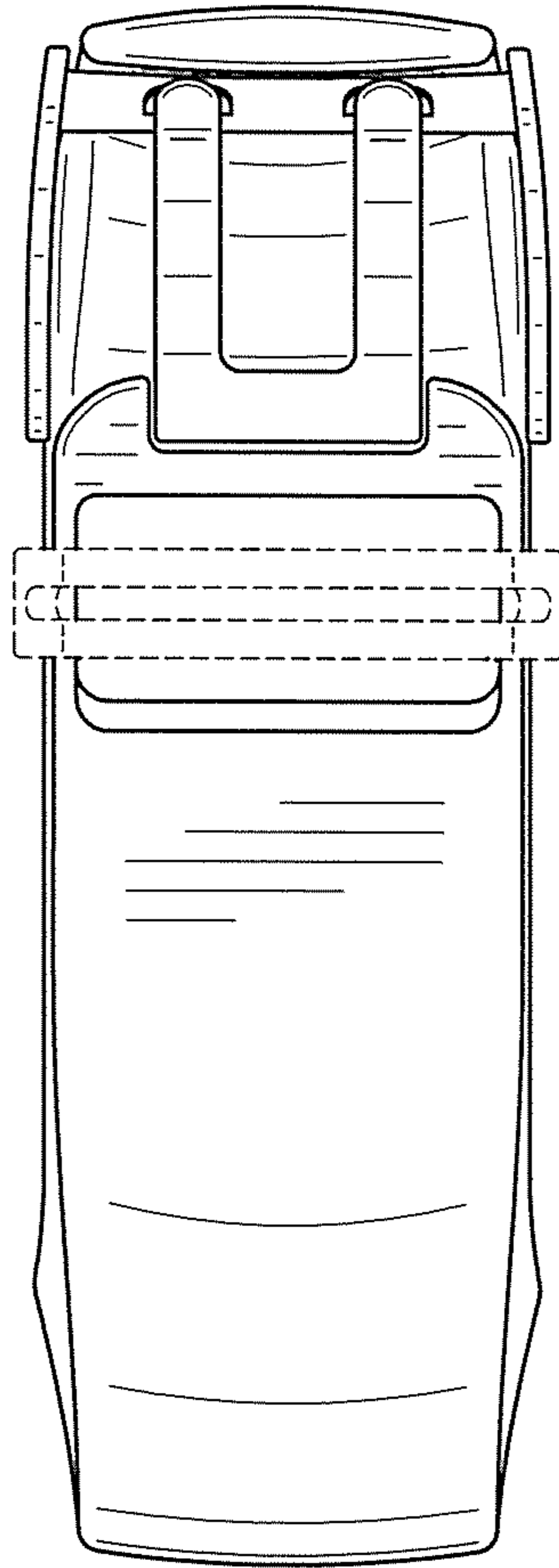


FIG. 15



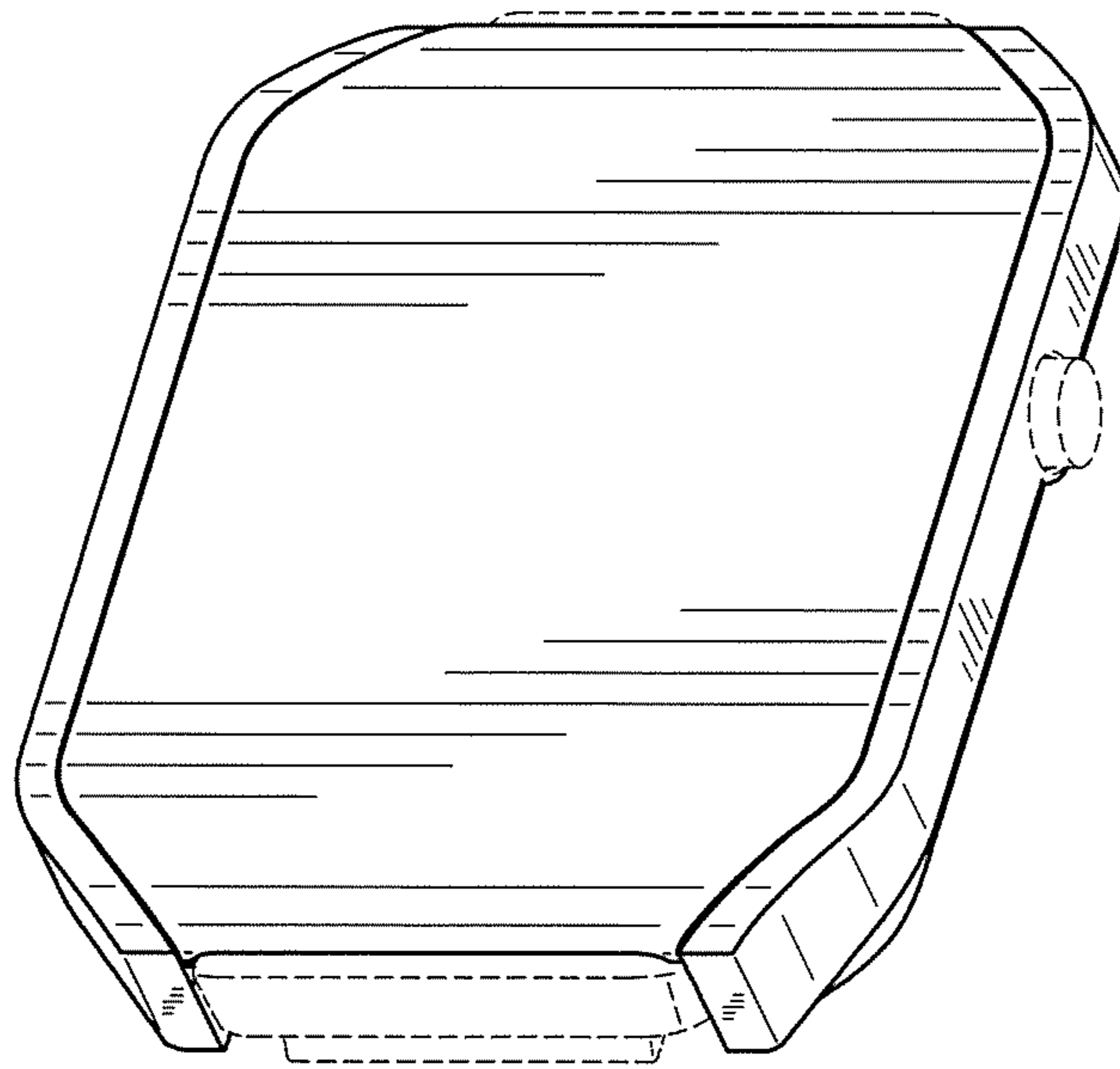


FIG. 16

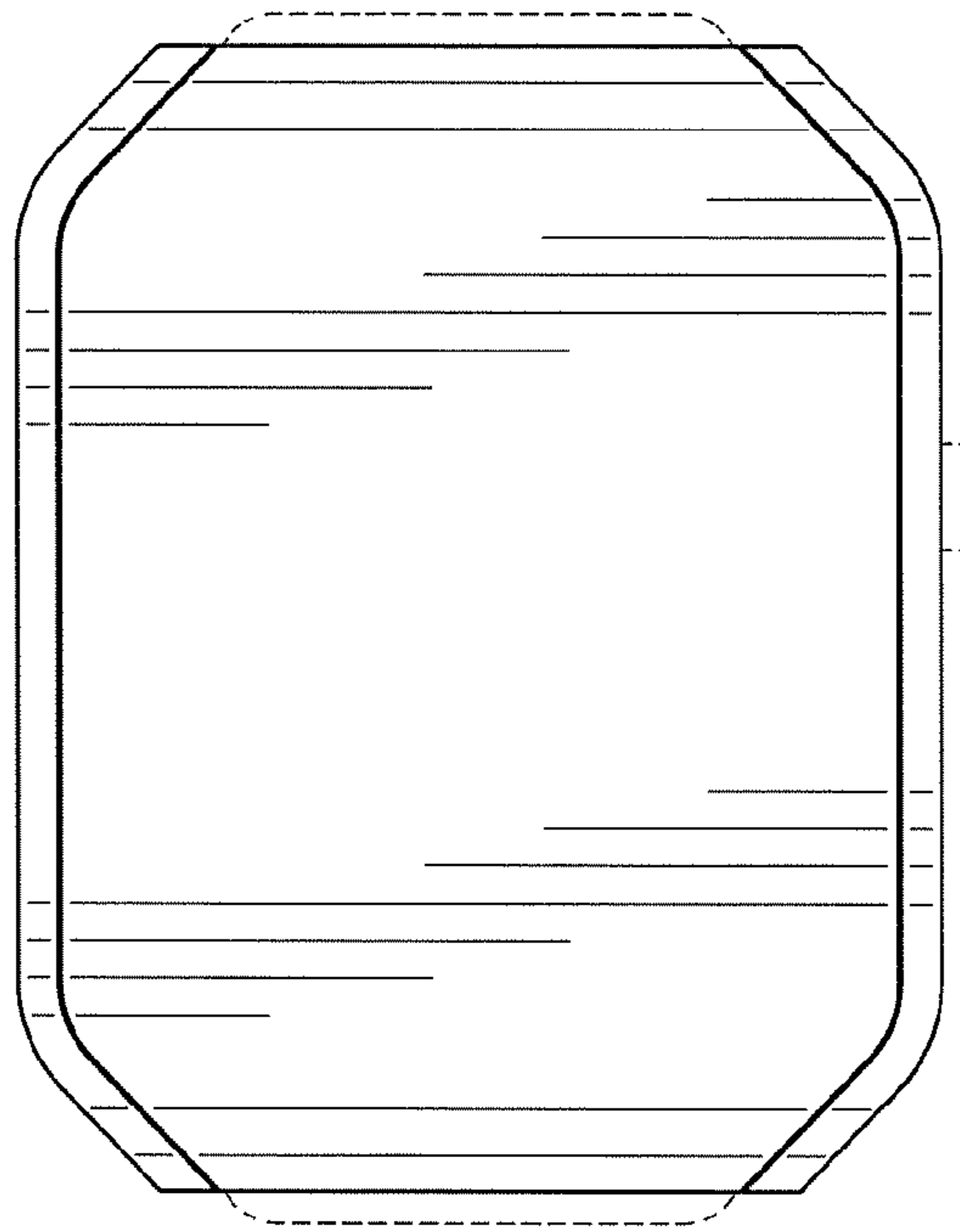


FIG. 17

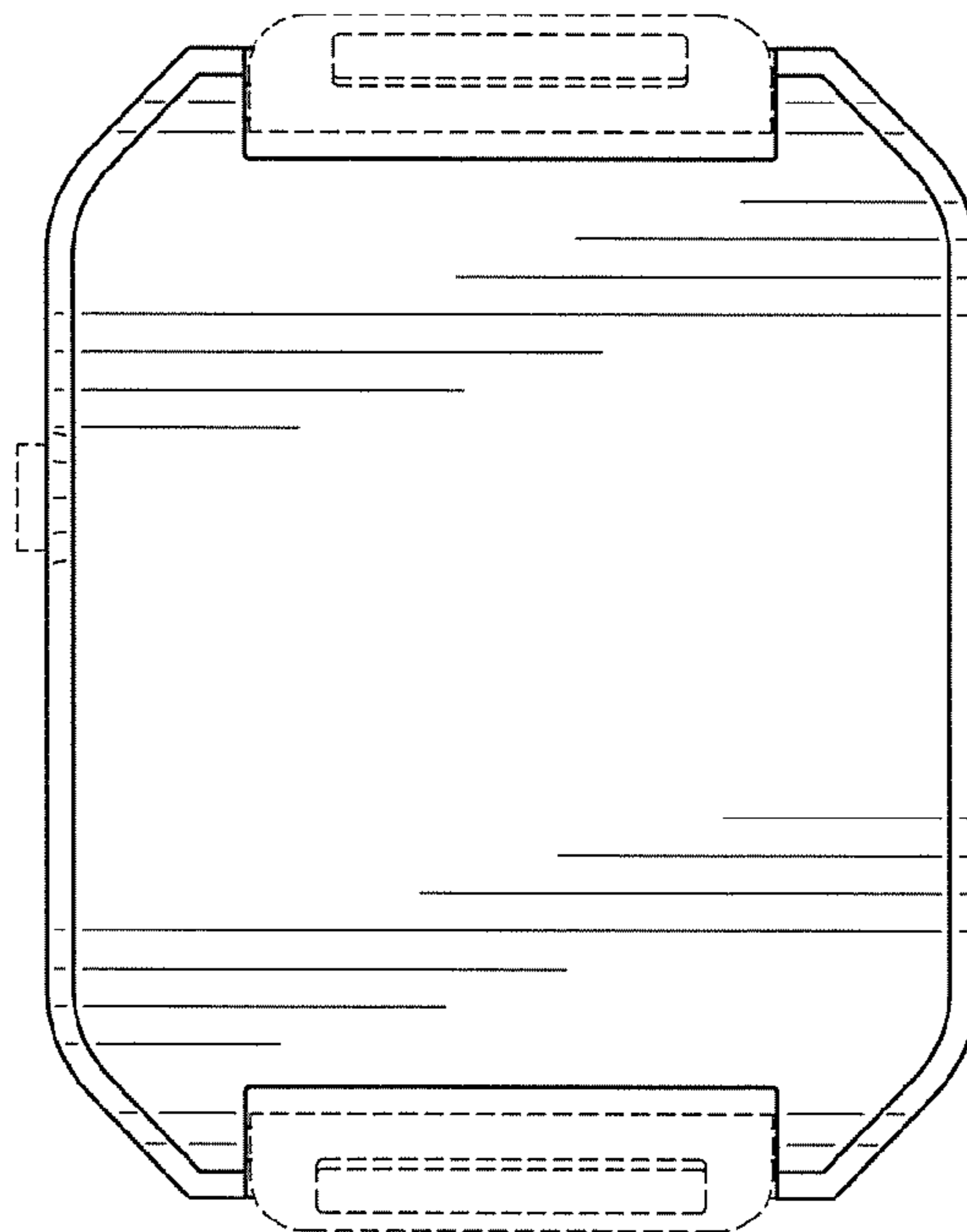


FIG. 18

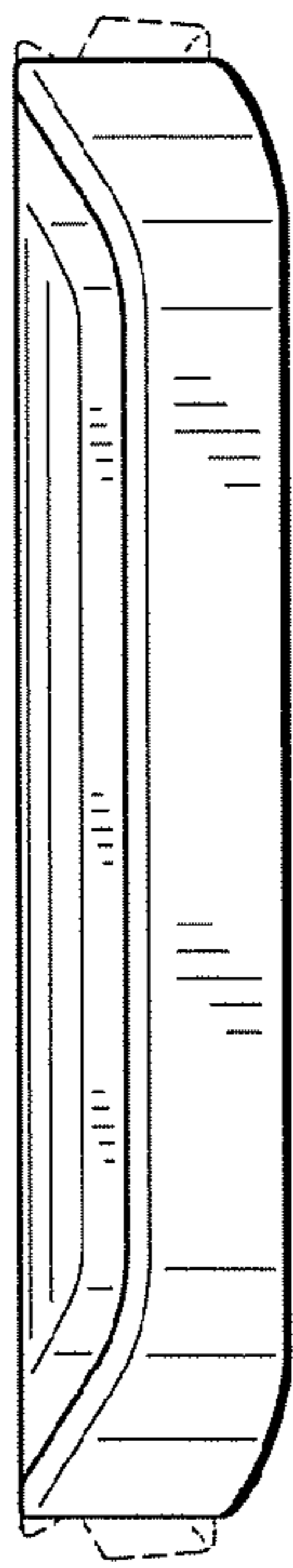


FIG. 19

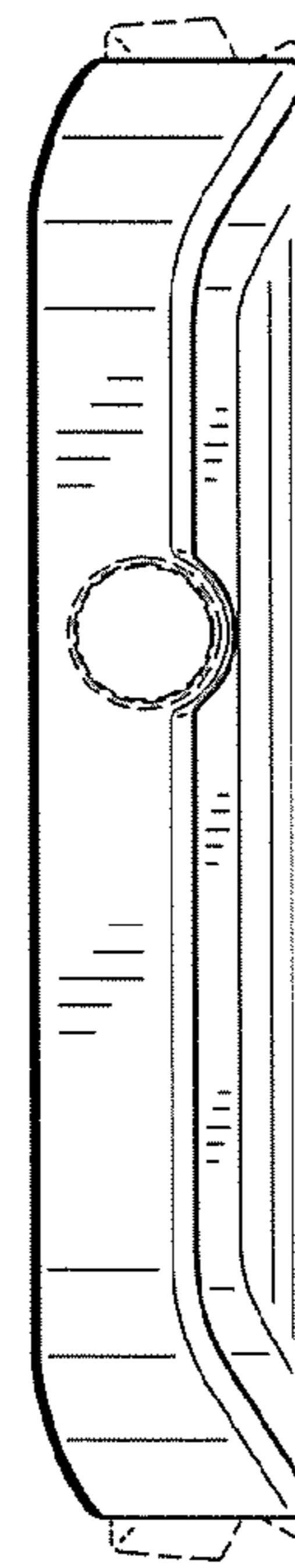


FIG. 20

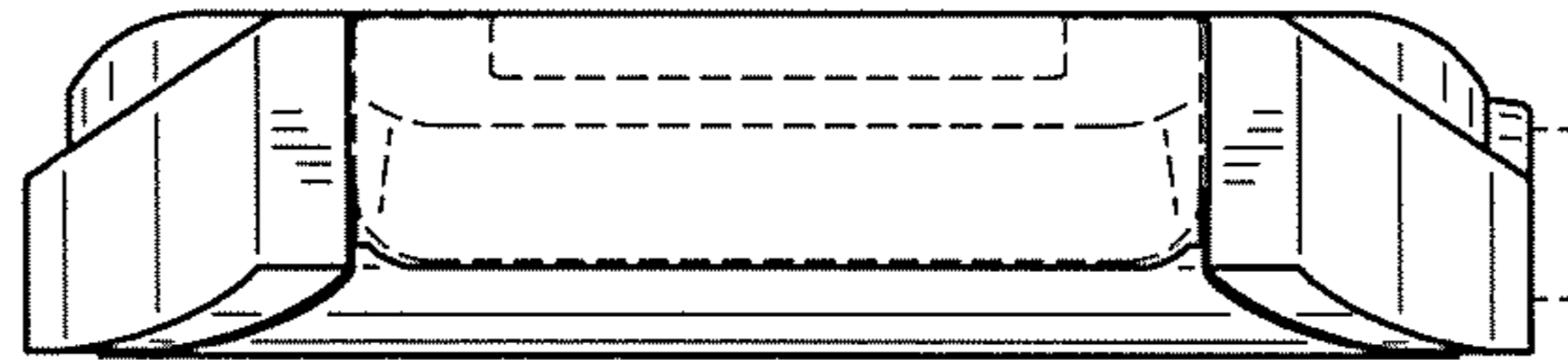


FIG. 21

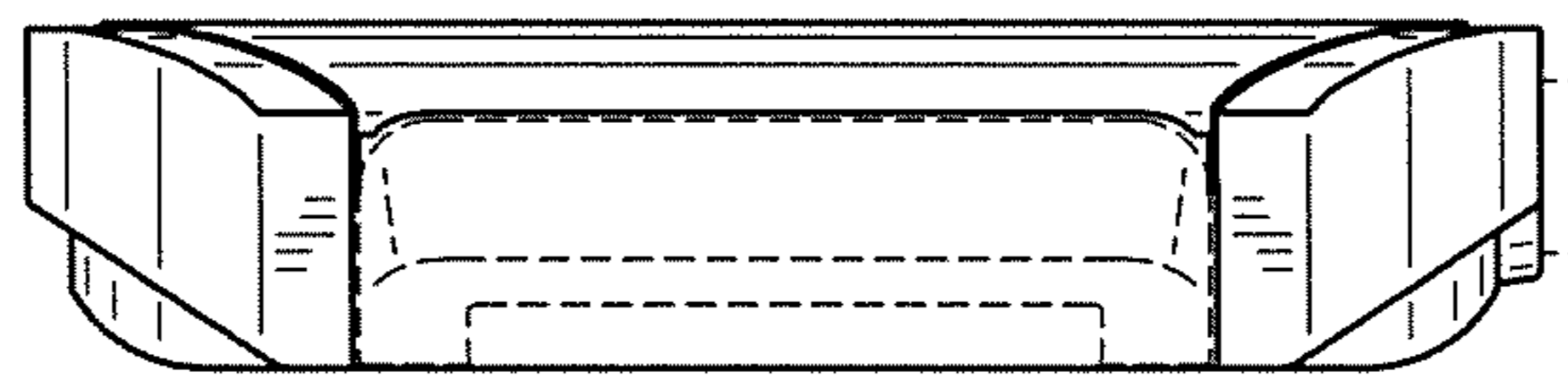


FIG. 22