



US00D734330S

(12) **United States Design Patent**
Huang et al.

(10) **Patent No.:** **US D734,330 S**
(45) **Date of Patent:** **** Jul. 14, 2015**

(54) **WEARABLE DEVICE**

(71) Applicants: **Pei-Pin Huang**, Taipei (TW);
Chang-Hua Wei, Taipei (TW);
Ting-Wei Wu, Taipei (TW); **Pei-Jen Lin**, Taipei (TW)

(72) Inventors: **Pei-Pin Huang**, Taipei (TW);
Chang-Hua Wei, Taipei (TW);
Ting-Wei Wu, Taipei (TW); **Pei-Jen Lin**, Taipei (TW)

(73) Assignee: **COMPAL ELECTRONICS, INC.**,
Taipei (TW)

(**) Term: **14 Years**

(21) Appl. No.: **29/479,332**

(22) Filed: **Jan. 14, 2014**

(51) **LOC (10) Cl.** **14-02**

(52) **U.S. Cl.**
USPC **D14/344**

(58) **Field of Classification Search**
USPC D14/138 A, 138 R, 218, 240, 341, 342,
D14/343, 344, 345, 346, 347, 358, 420, 426,
D14/427, 496; D10/30, 31, 32, 37, 38, 39,
D10/65, 70, 98; 368/281, 282, 294, 295,
368/296; D11/2, 3, 4, 5; 379/433.1;
D24/165, 167, 186

See application file for complete search history.

(56) **References Cited**

U.S. PATENT DOCUMENTS

| | | | | |
|--------------|--------|-------------------|-------|-----------|
| D249,244 S * | 9/1978 | Salter | | D10/32 |
| D528,439 S * | 9/2006 | Burton | | D10/32 |
| D528,441 S * | 9/2006 | Burton | | D10/38 |
| D535,205 S * | 1/2007 | Frederick et al. | | D10/104.1 |
| D566,580 S * | 4/2008 | Giorgio | | D10/32 |
| D584,170 S * | 1/2009 | Morrison | | D10/32 |
| D621,808 S * | 8/2010 | Kim | | D14/138 R |
| D639,955 S * | 6/2011 | Riobo Aboy et al. | | D24/165 |
| D655,497 S * | 3/2012 | Stanley | | D3/218 |
| D667,126 S * | 9/2012 | Cho et al. | | D24/186 |

| | | | | |
|--------------|---------|------------------|-------|-----------|
| D672,667 S * | 12/2012 | Mix | | D10/65 |
| D693,251 S * | 11/2013 | Anderssen et al. | | D10/70 |
| D703,204 S * | 4/2014 | Riddiford et al. | | D14/344 |
| D718,170 S * | 11/2014 | Aumiller et al. | | D11/3 |
| D719,123 S * | 12/2014 | Park et al. | | D14/138 R |

* cited by examiner

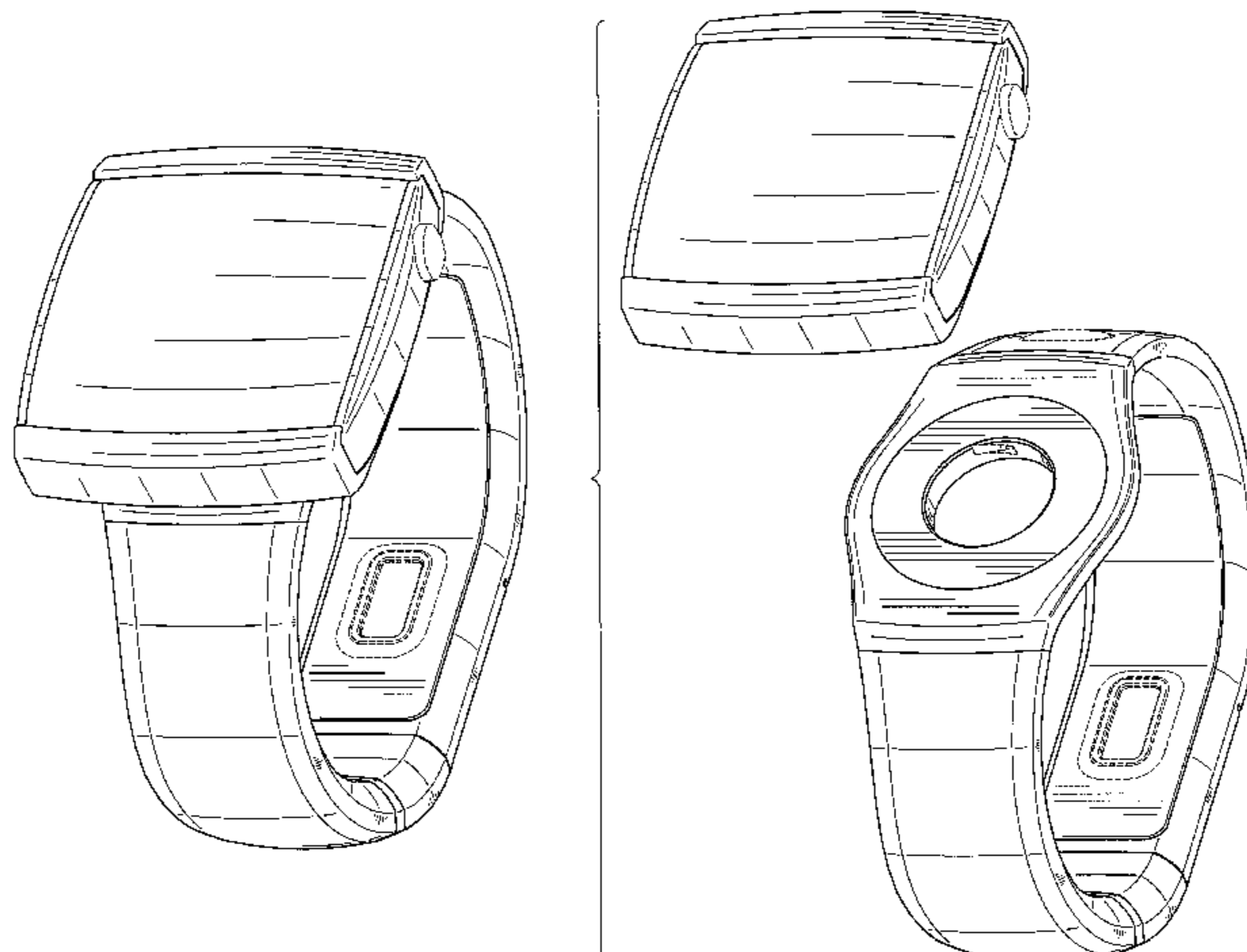
Primary Examiner — Barbara Fox
Assistant Examiner — Chelsea Sealey
(74) *Attorney, Agent, or Firm* — Jianq Chyun IP Office

(57) **CLAIM**
The ornamental design for a wearable device, as shown and described.

DESCRIPTION

FIG. 1 is a perspective view of a wearable device showing our new design;
FIG. 2 is another perspective view thereof;
FIG. 3 is a front view thereof;
FIG. 4 is a rear view thereof;
FIG. 5 is a left side view thereof;
FIG. 6 is a right side view thereof;
FIG. 7 is a top view thereof;
FIG. 8 is a bottom view thereof.
FIG. 9 is an exploded perspective view thereof;
FIG. 10 is a perspective view of the strap thereof, shown separately for ease of illustration;
FIG. 11 is another perspective view thereof;
FIG. 12 is a front view thereof;
FIG. 13 is a rear view thereof;
FIG. 14 is a left side view thereof;
FIG. 15 is a right side view thereof;
FIG. 16 is a top view thereof;
FIG. 17 is a bottom view thereof;
FIG. 18 is a perspective view of the electronic device portion of FIG. 1, shown separately for ease of illustration;
FIG. 19 is another perspective view thereof;
FIG. 20 is a front view thereof;
FIG. 21 is a rear view thereof;
FIG. 22 is a left side view thereof;
FIG. 23 is a right side view thereof;
FIG. 24 is a top view thereof; and,
FIG. 25 is a bottom view thereof.
The broken lines indicate portions of the wearable device that form no part of the claimed design.

1 Claim, 22 Drawing Sheets



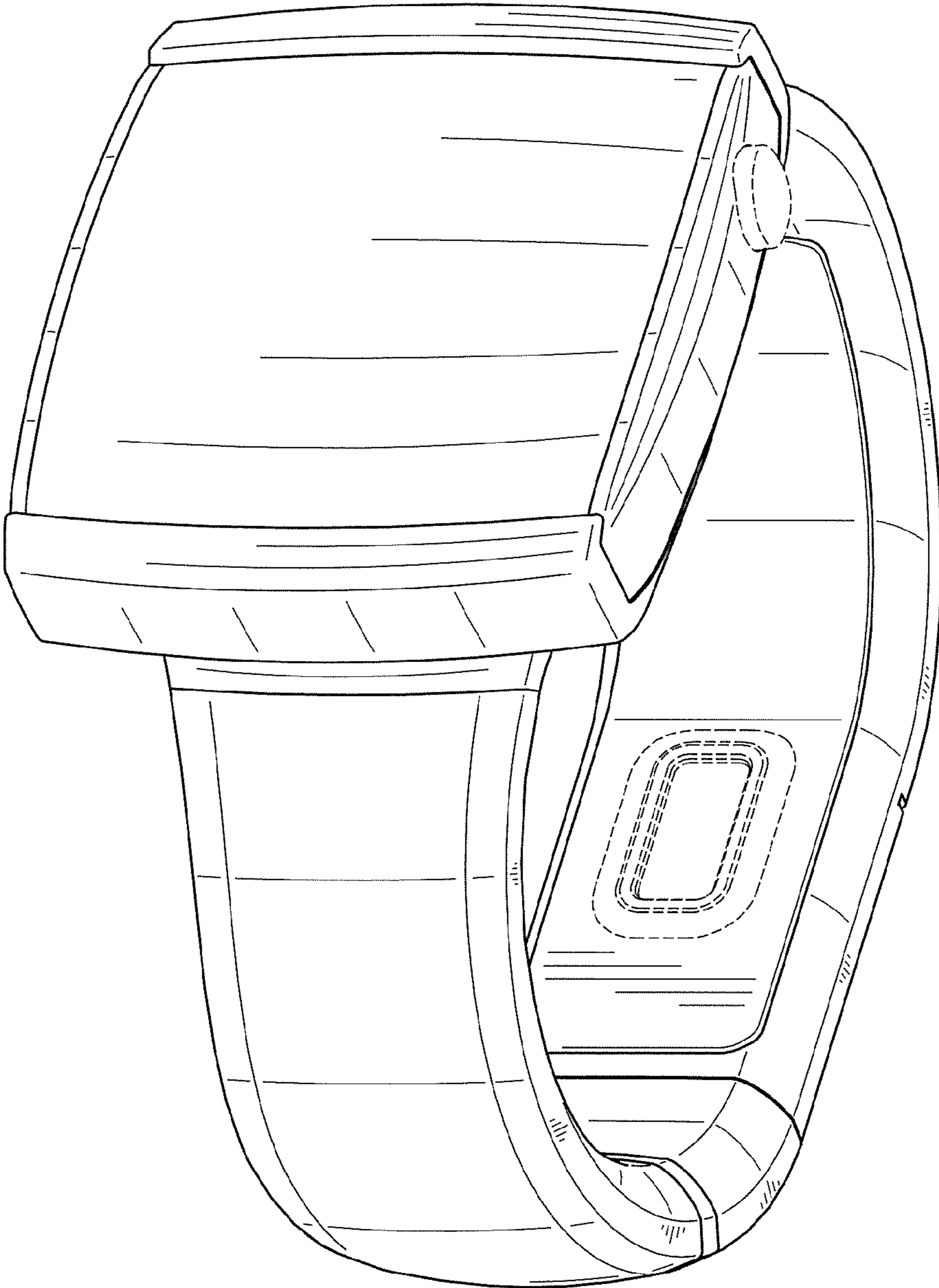


FIG. 1

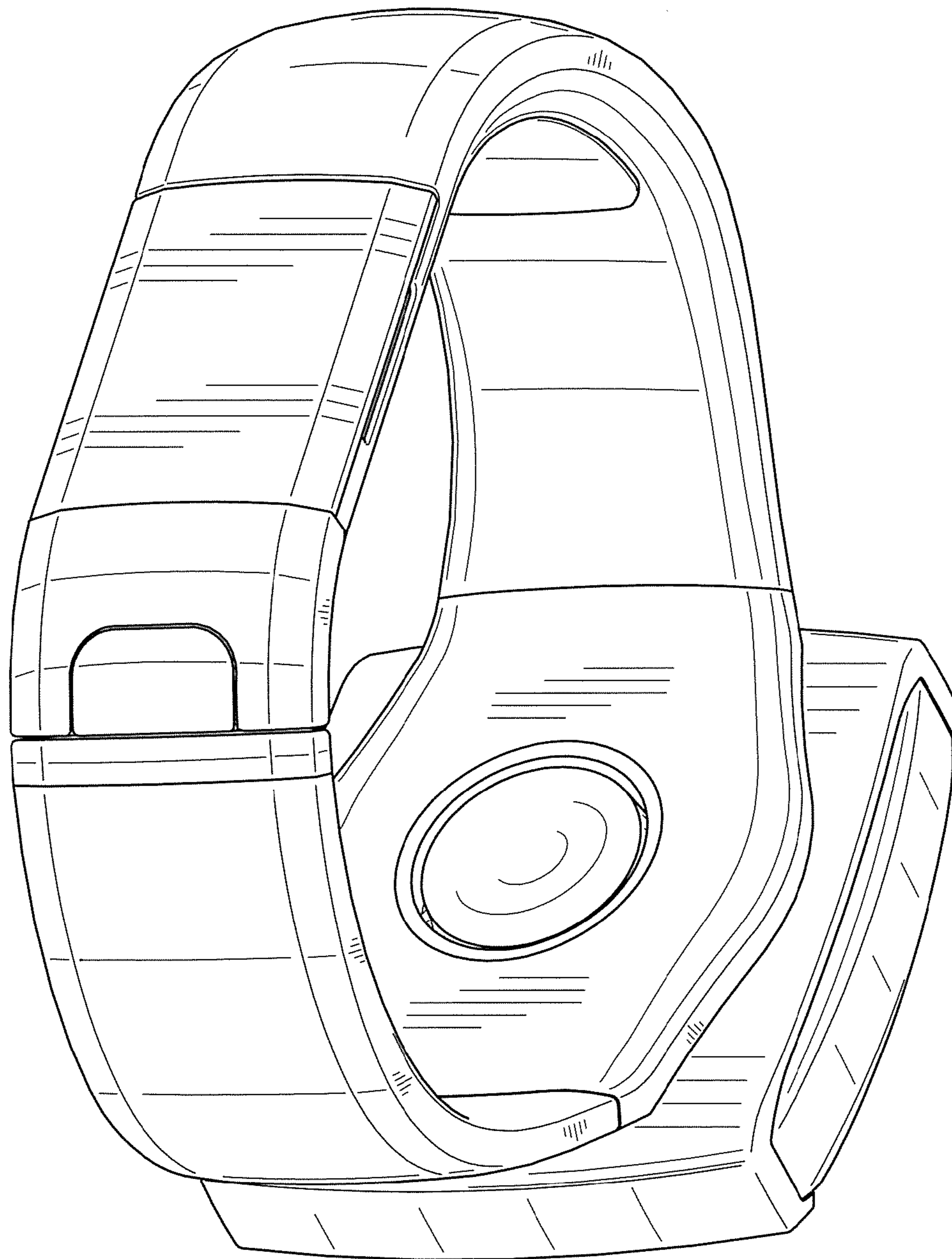


FIG. 2

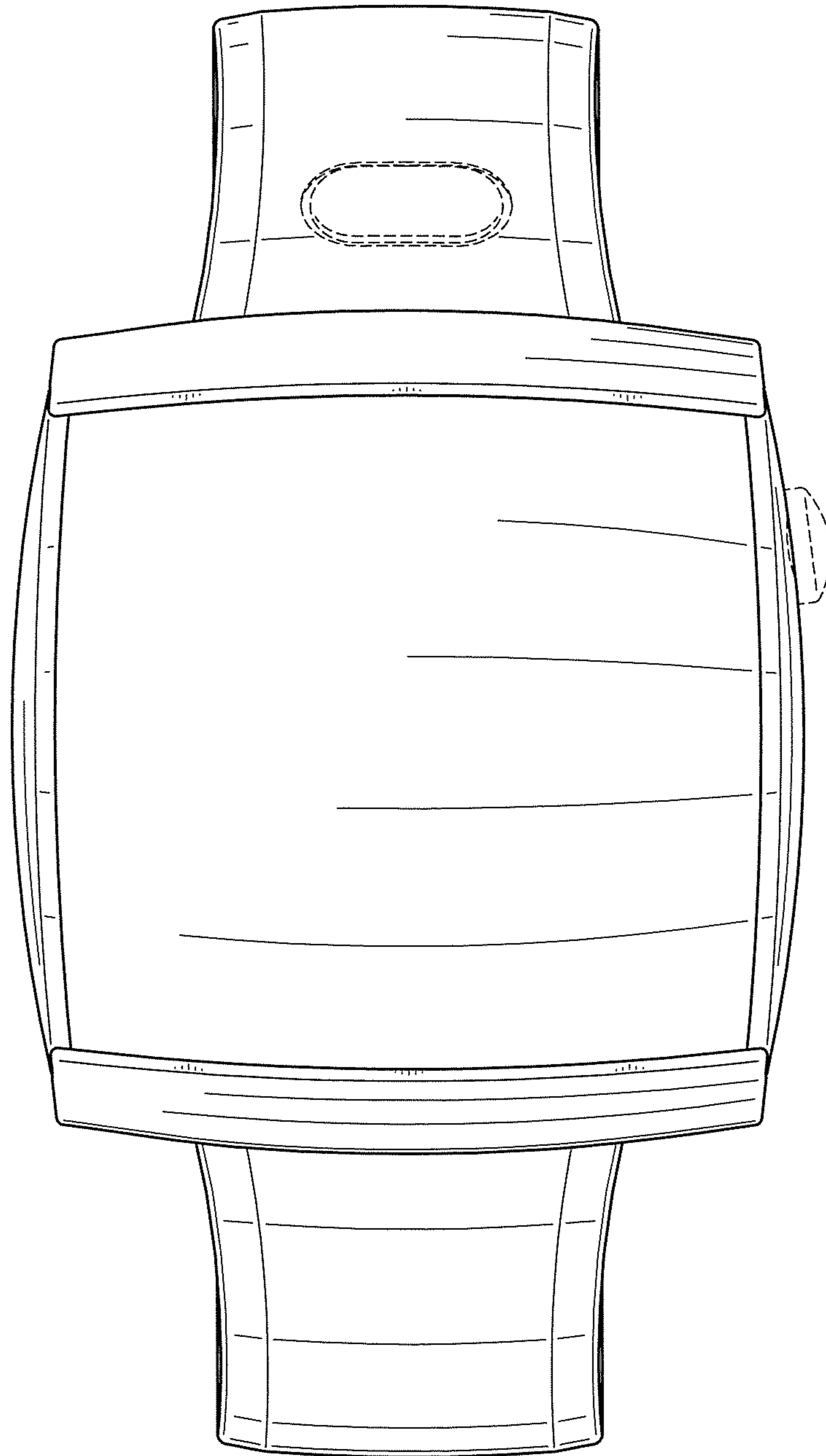


FIG. 3

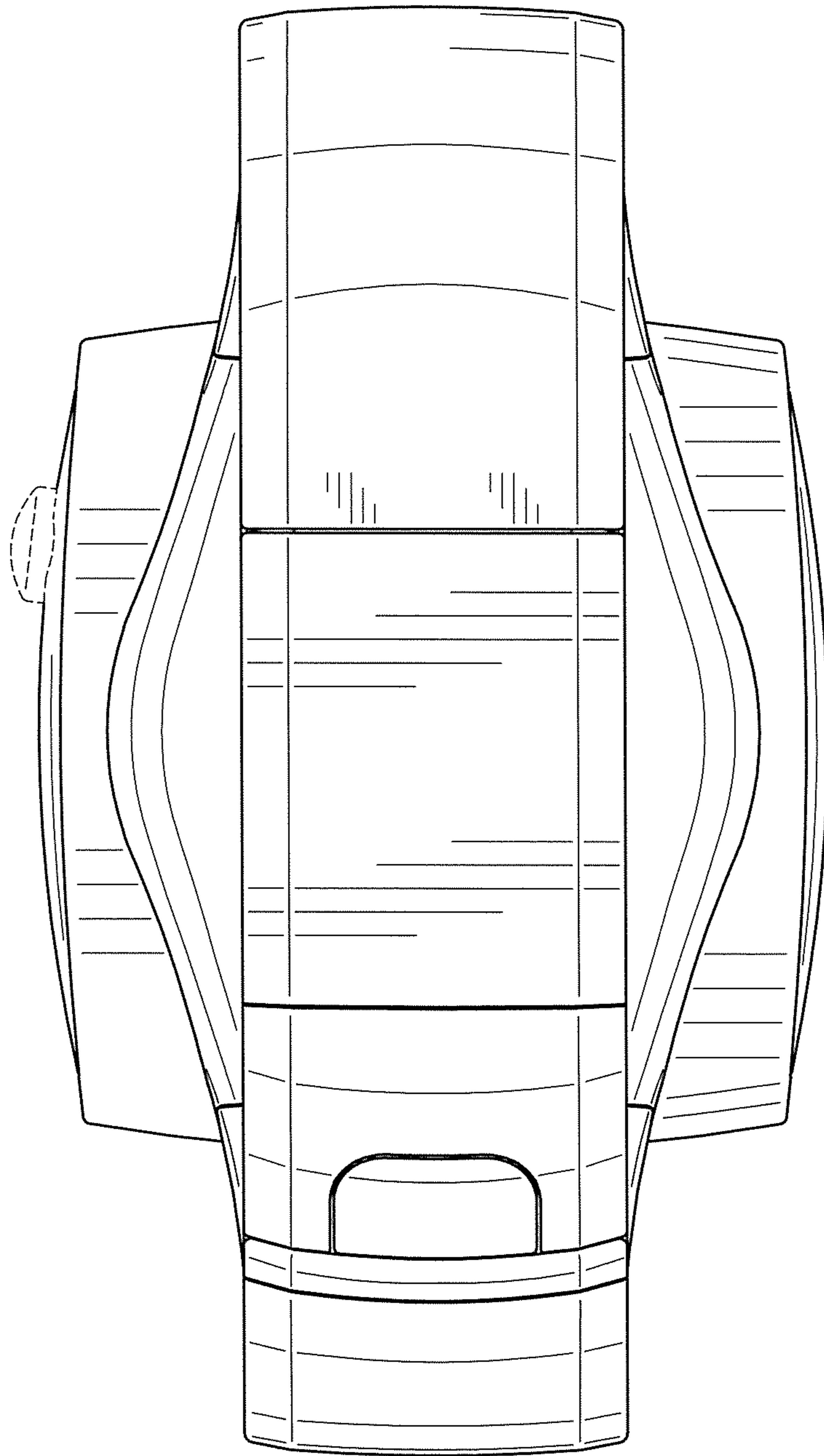


FIG. 4

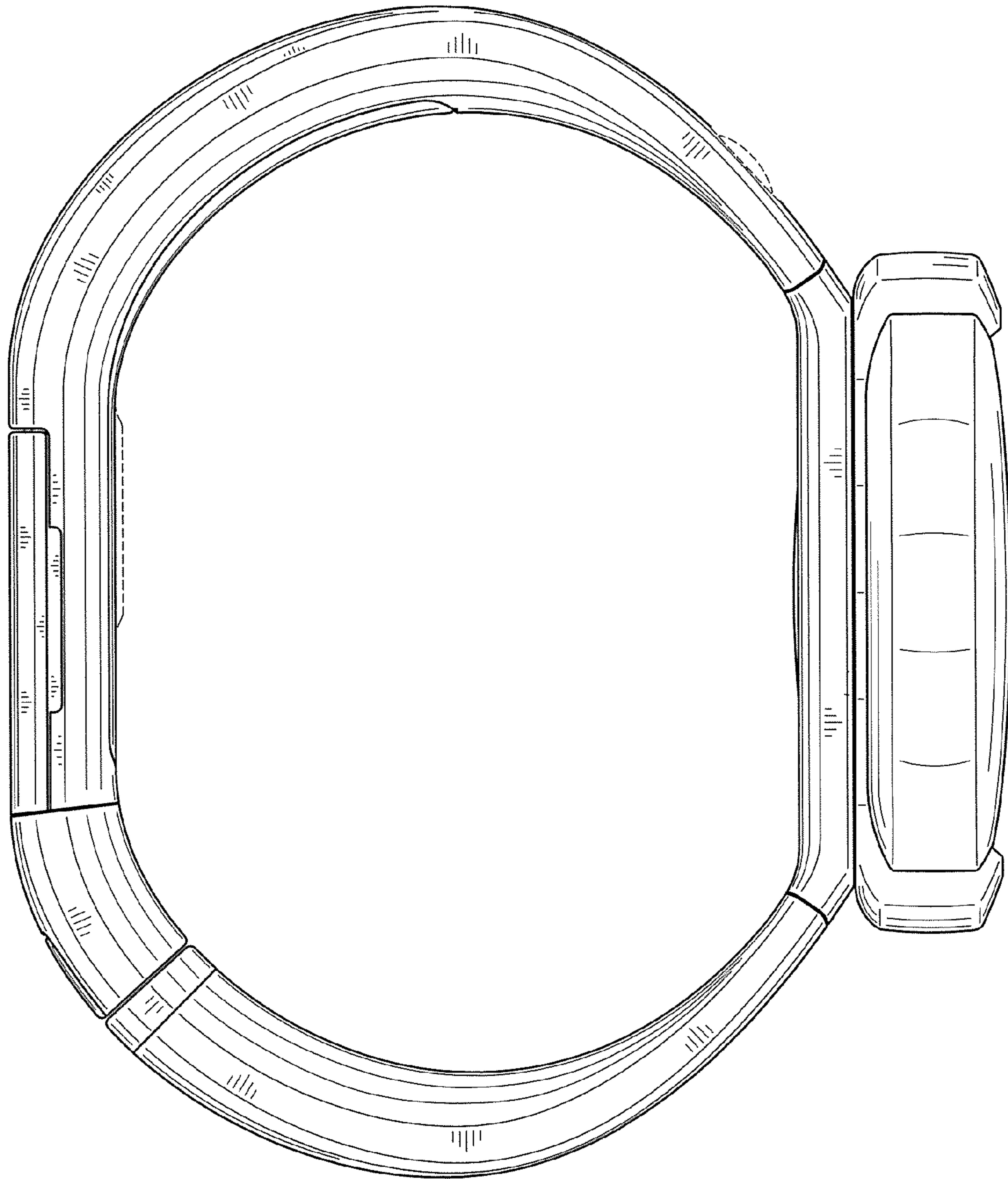


FIG. 5

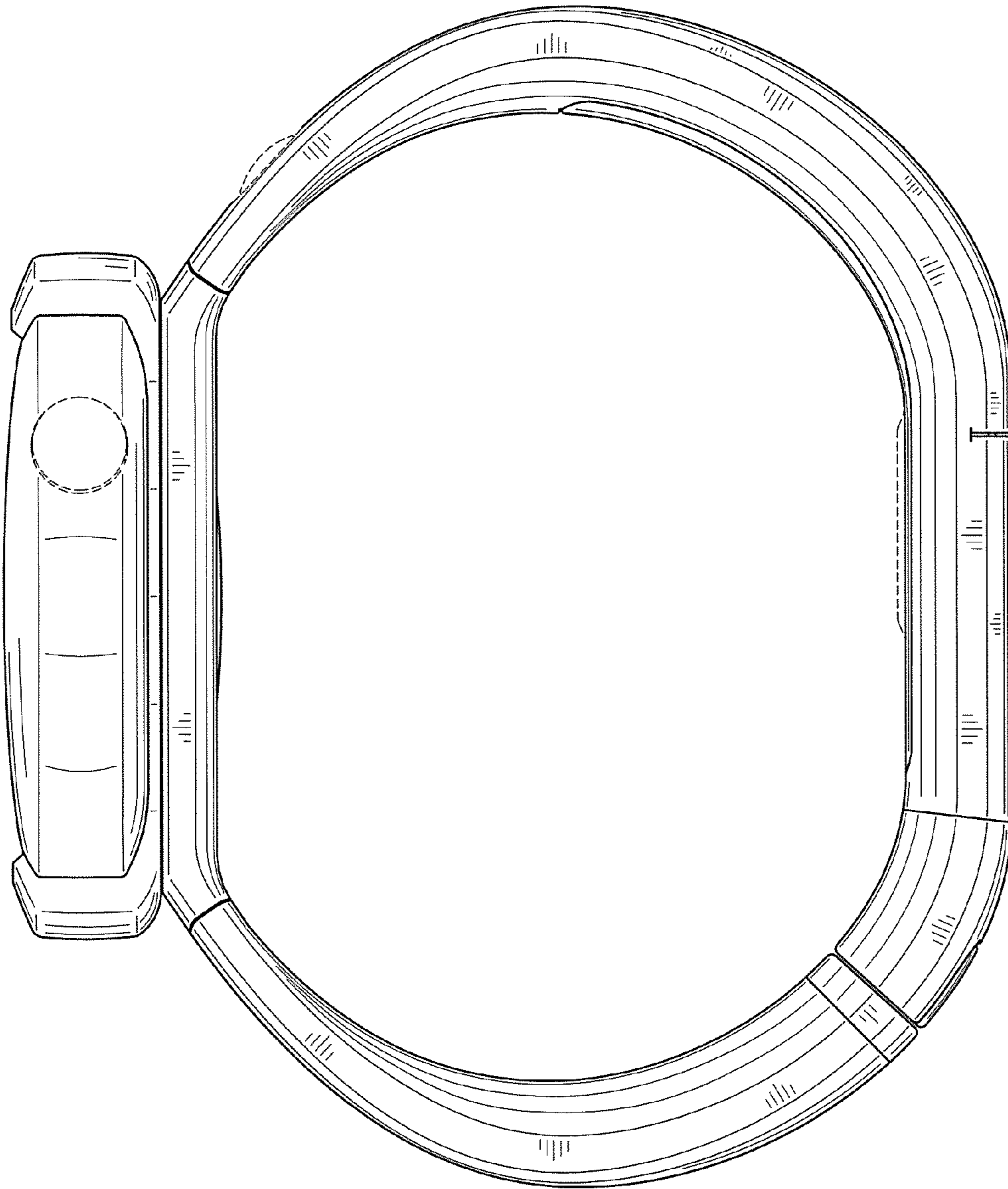


FIG. 6

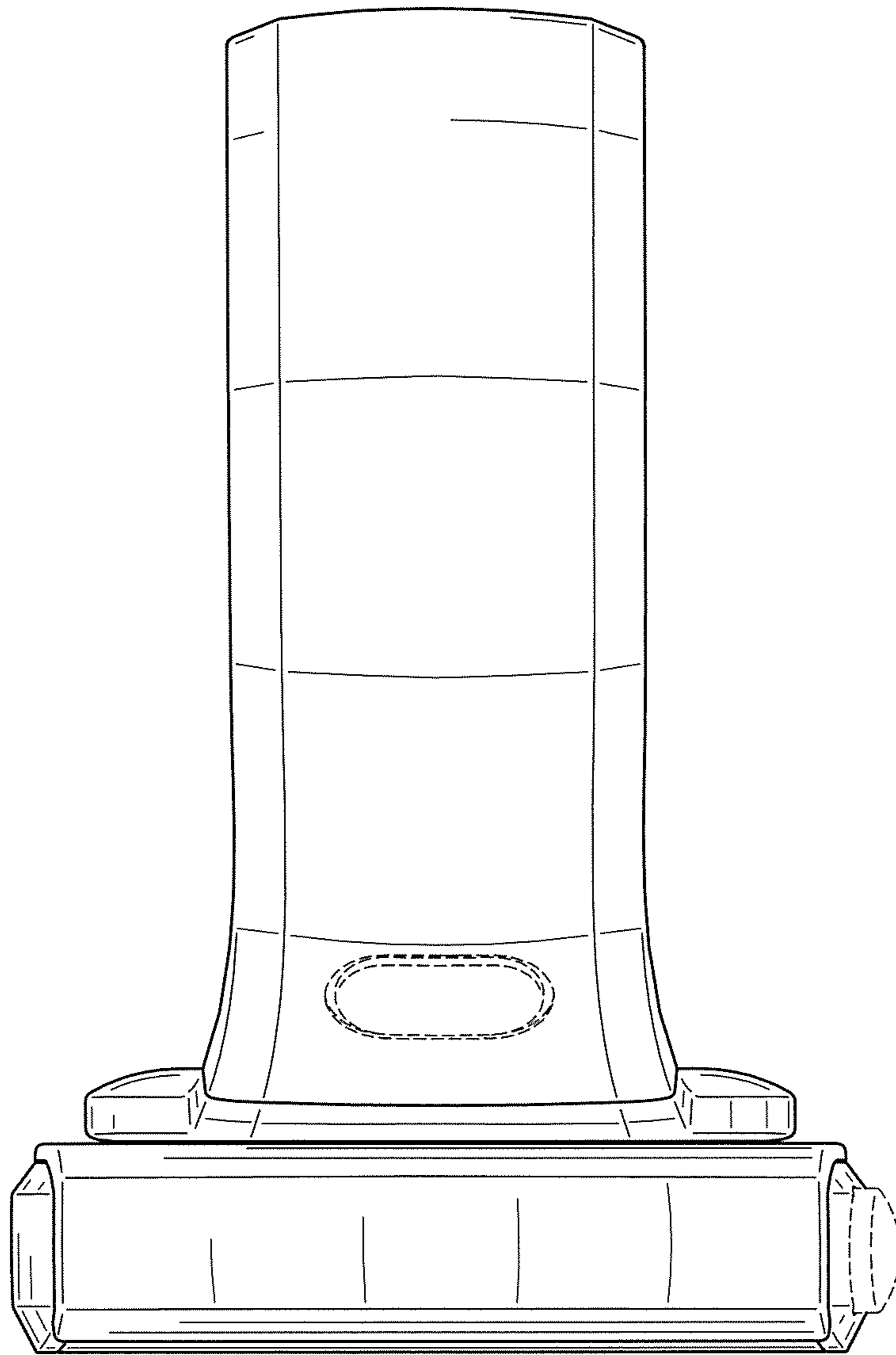


FIG. 7

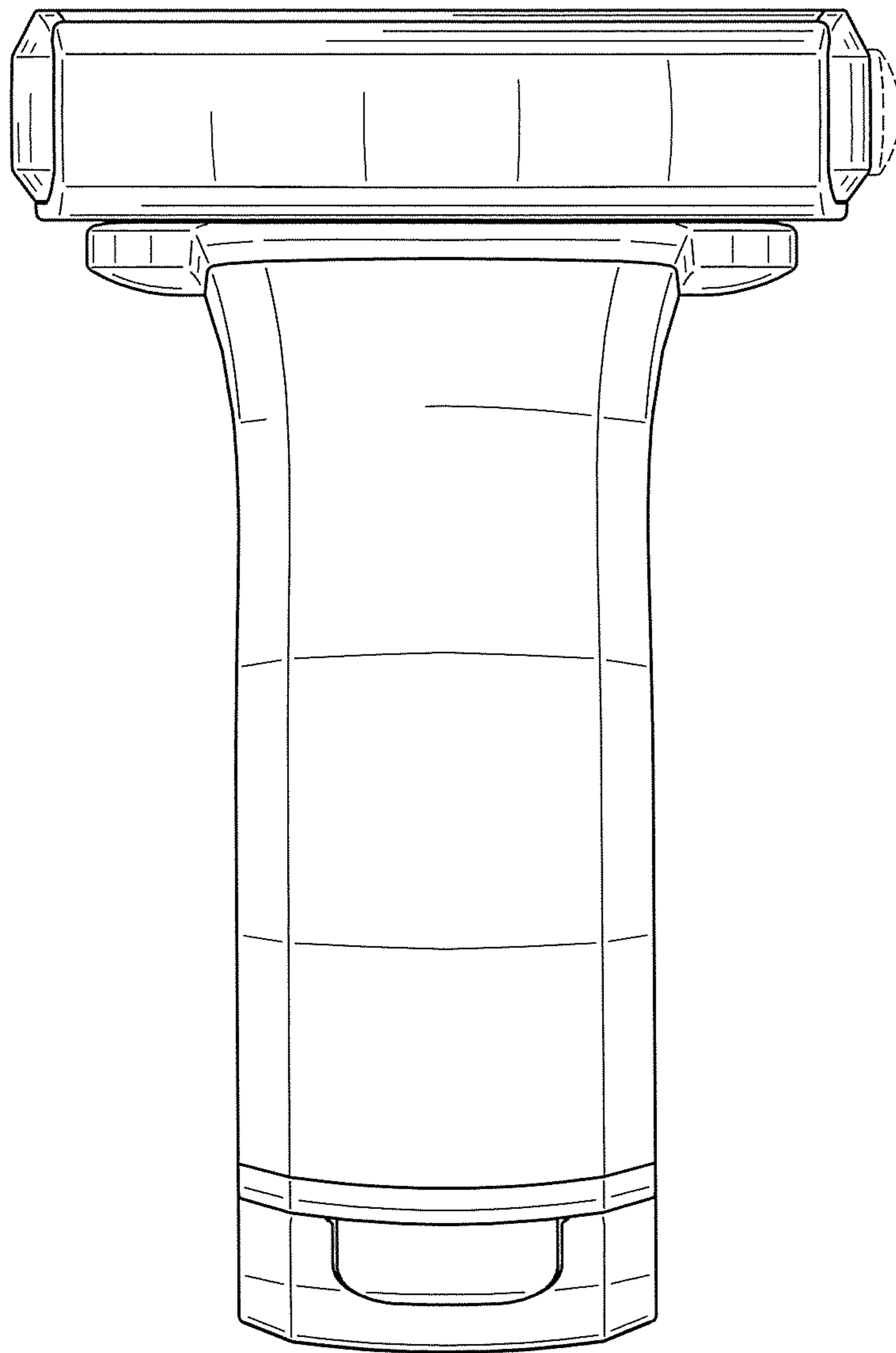


FIG. 8

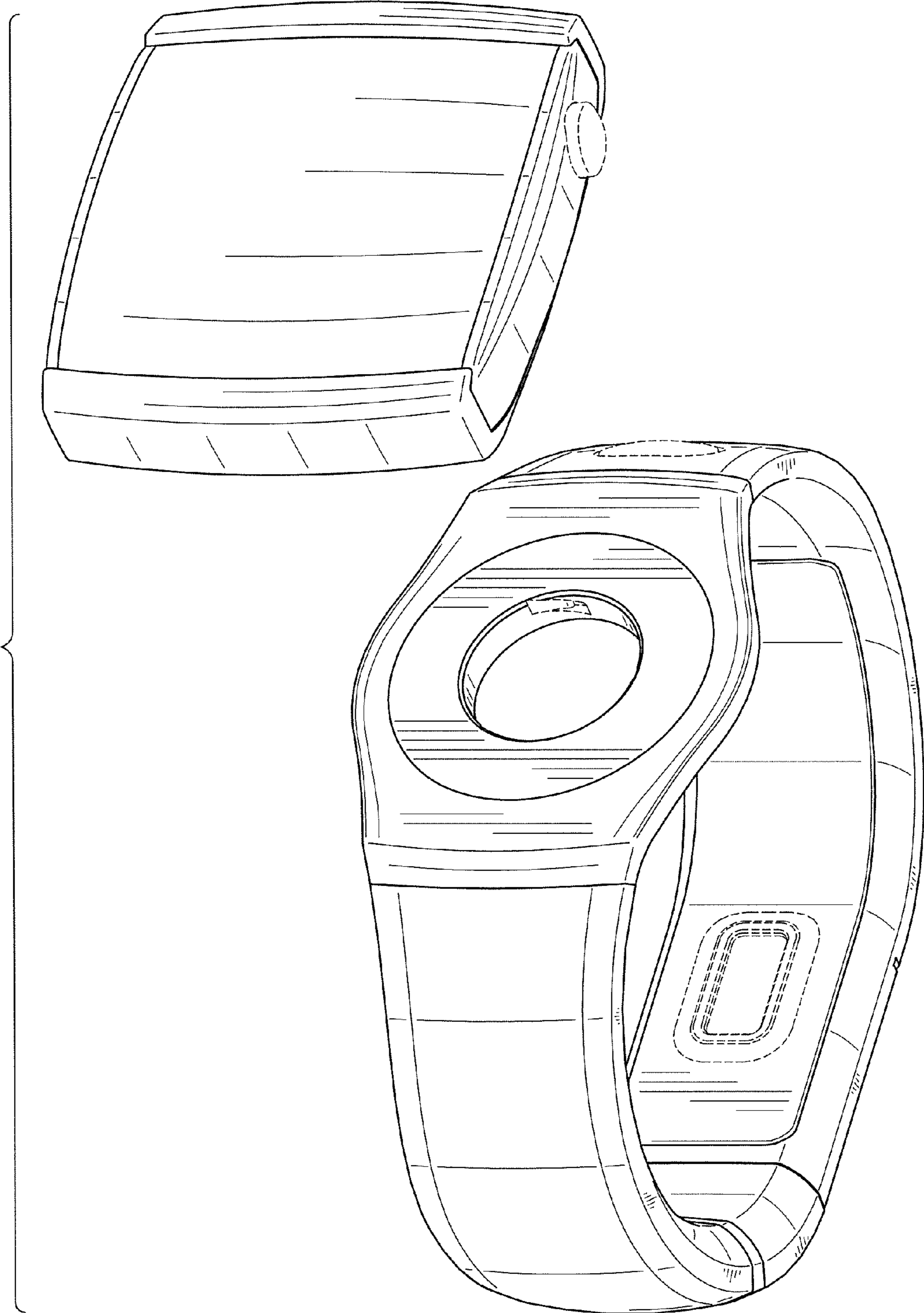


FIG. 9

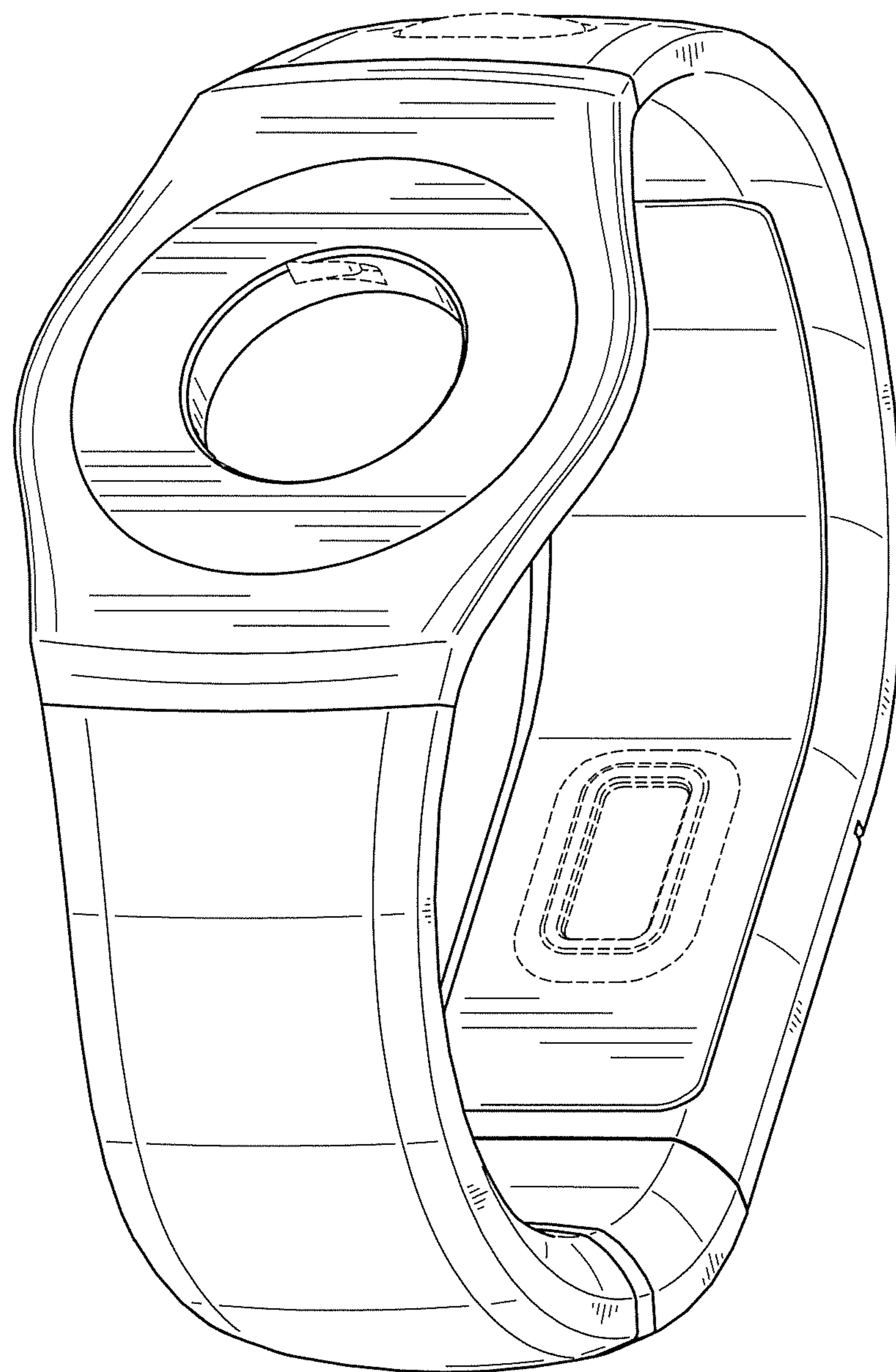


FIG. 10

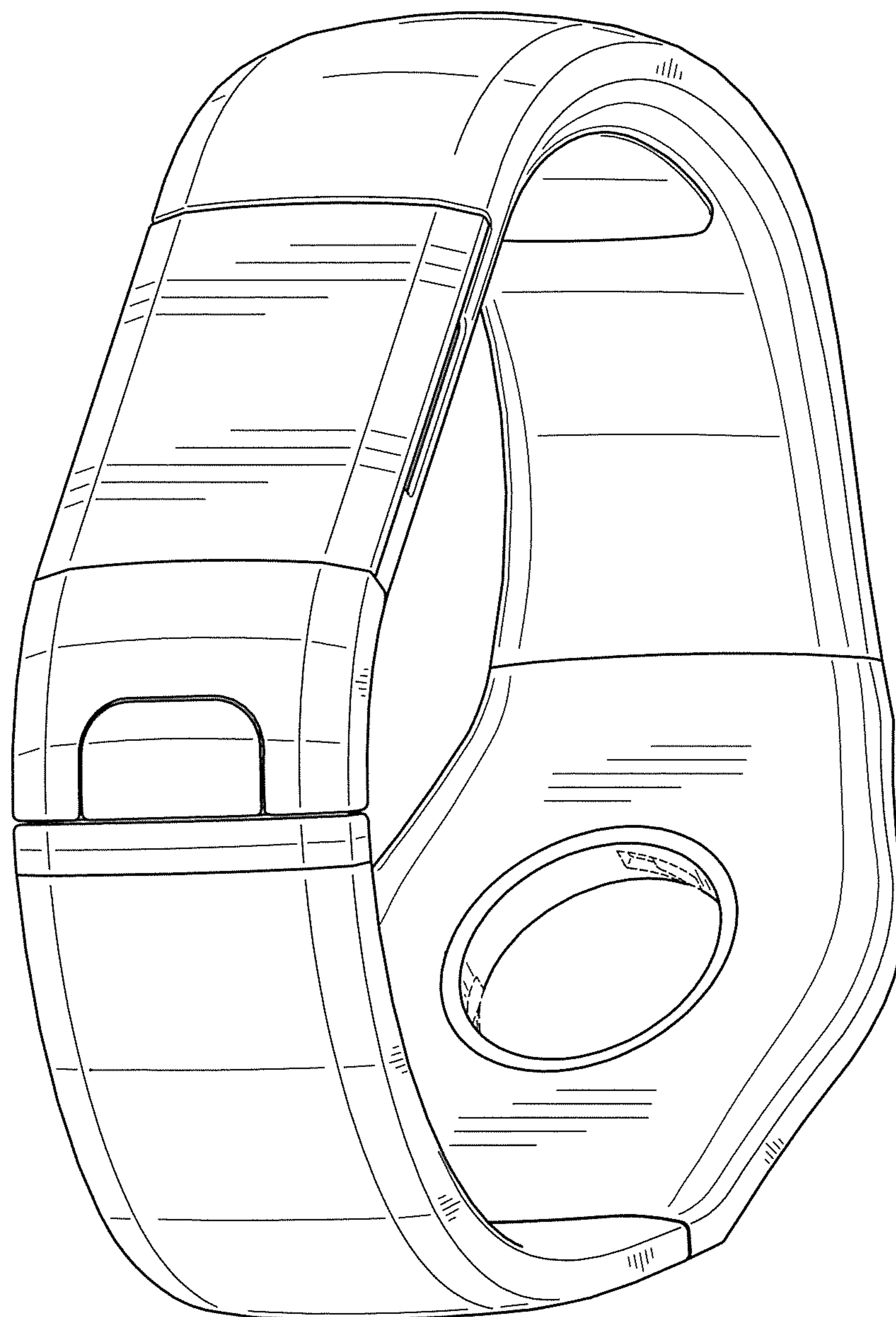


FIG. 11

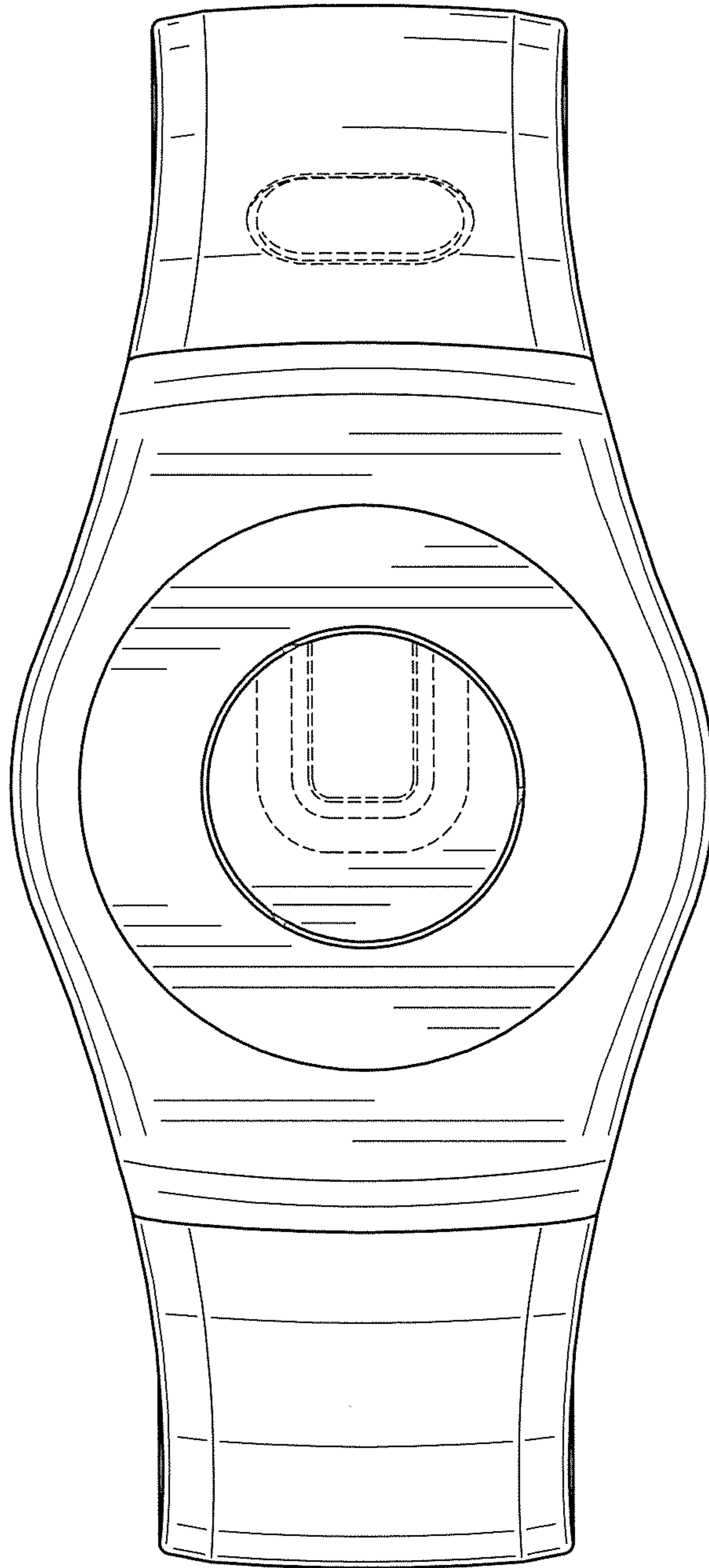


FIG. 12

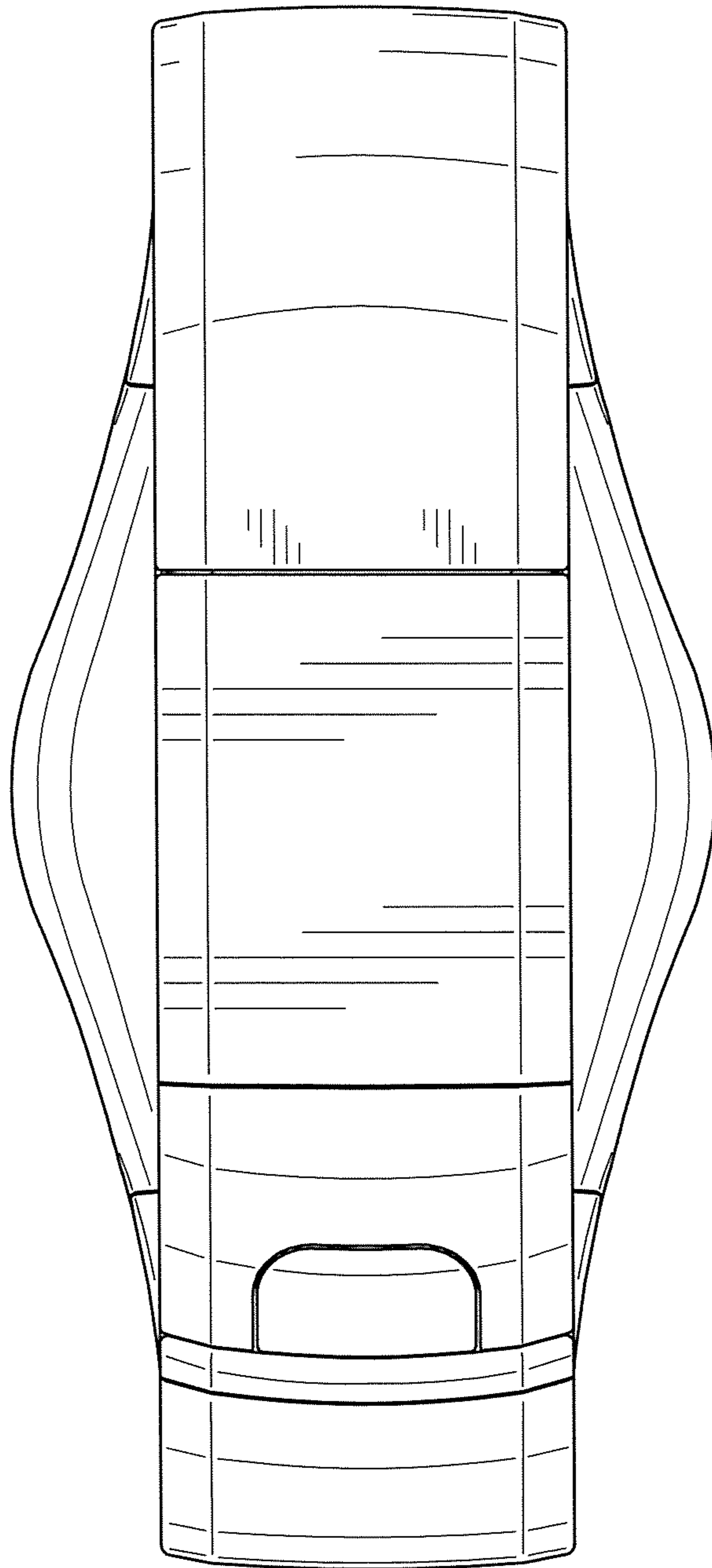


FIG. 13

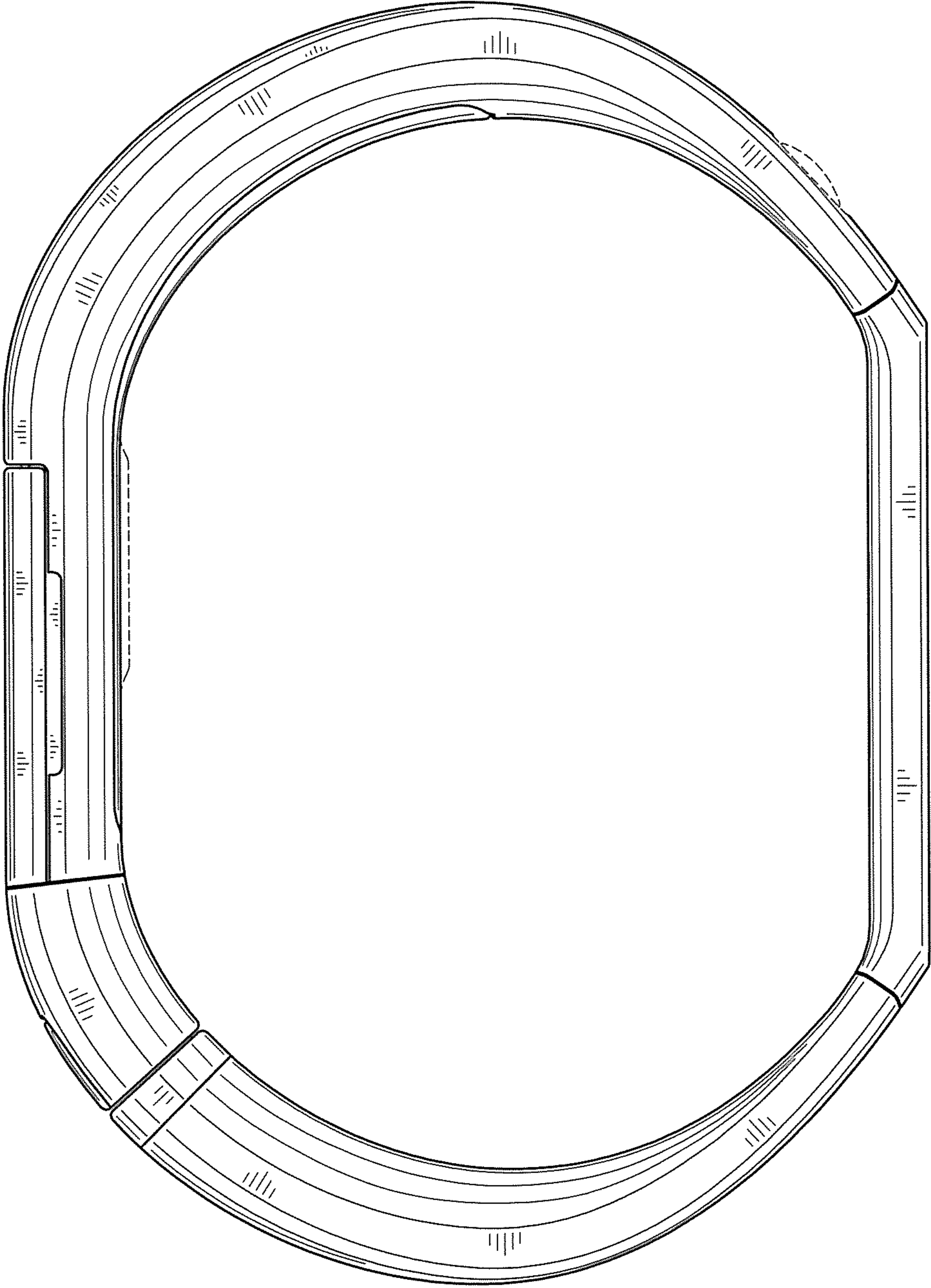


FIG. 14

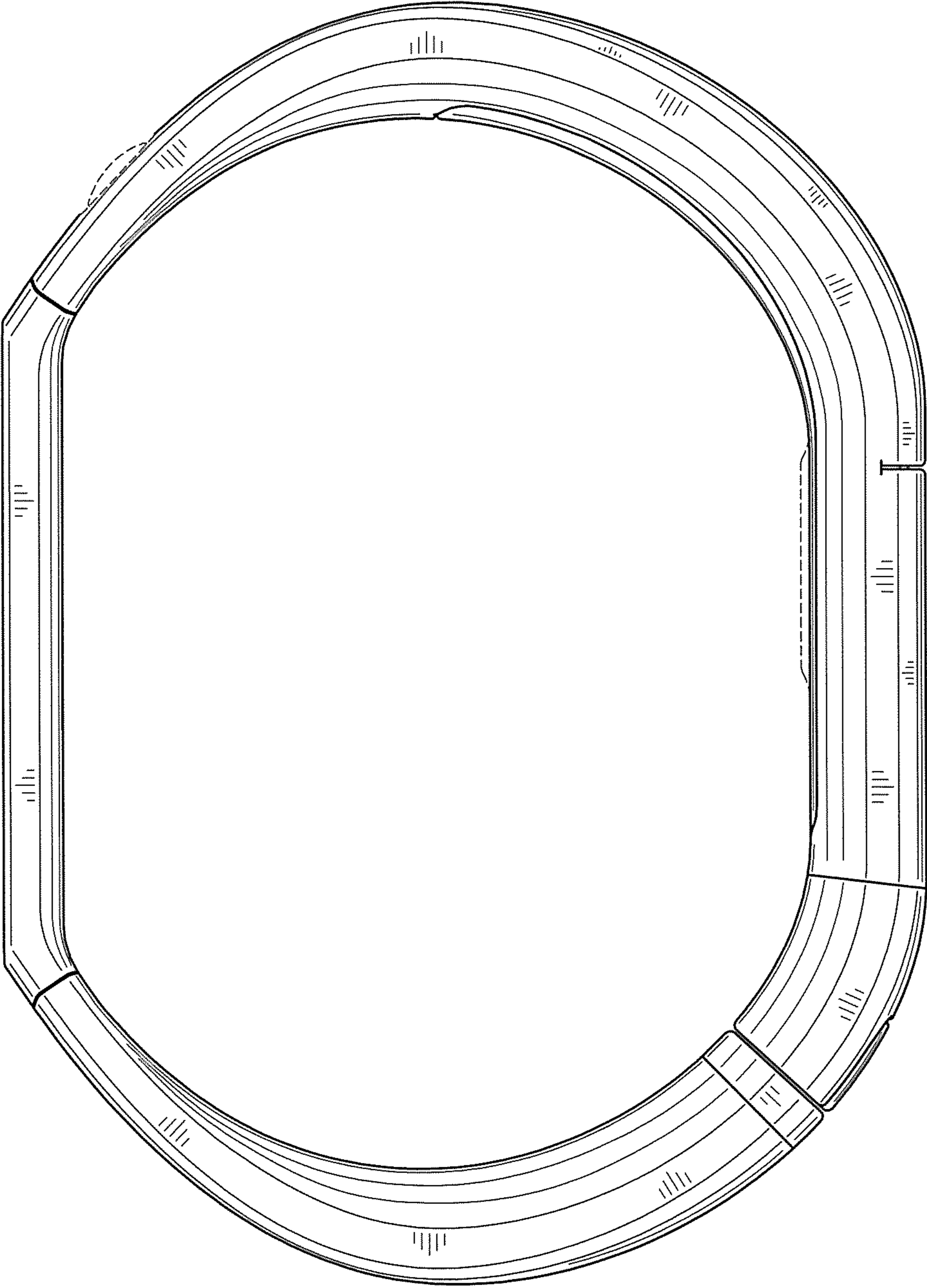


FIG. 15

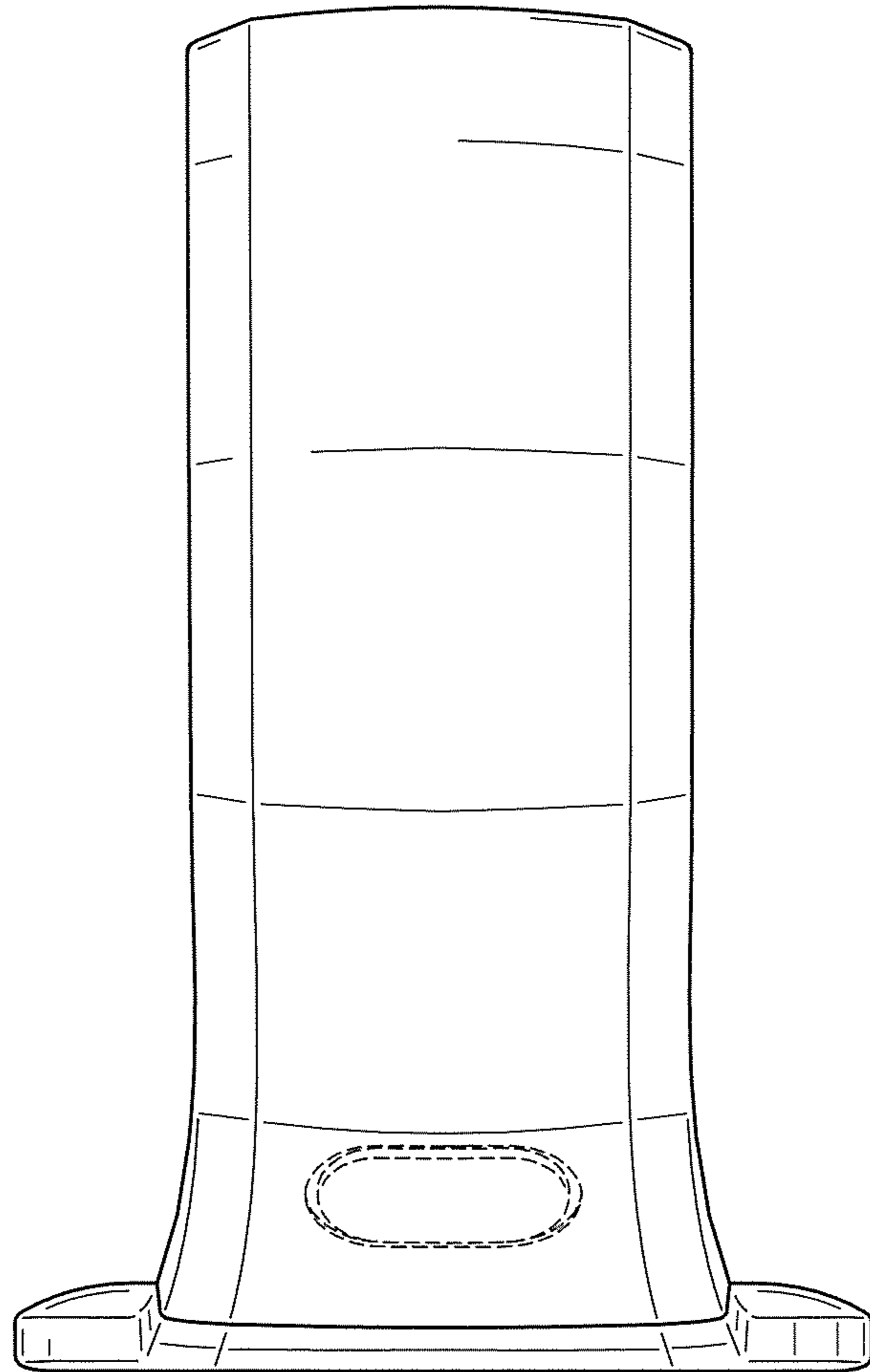


FIG. 16

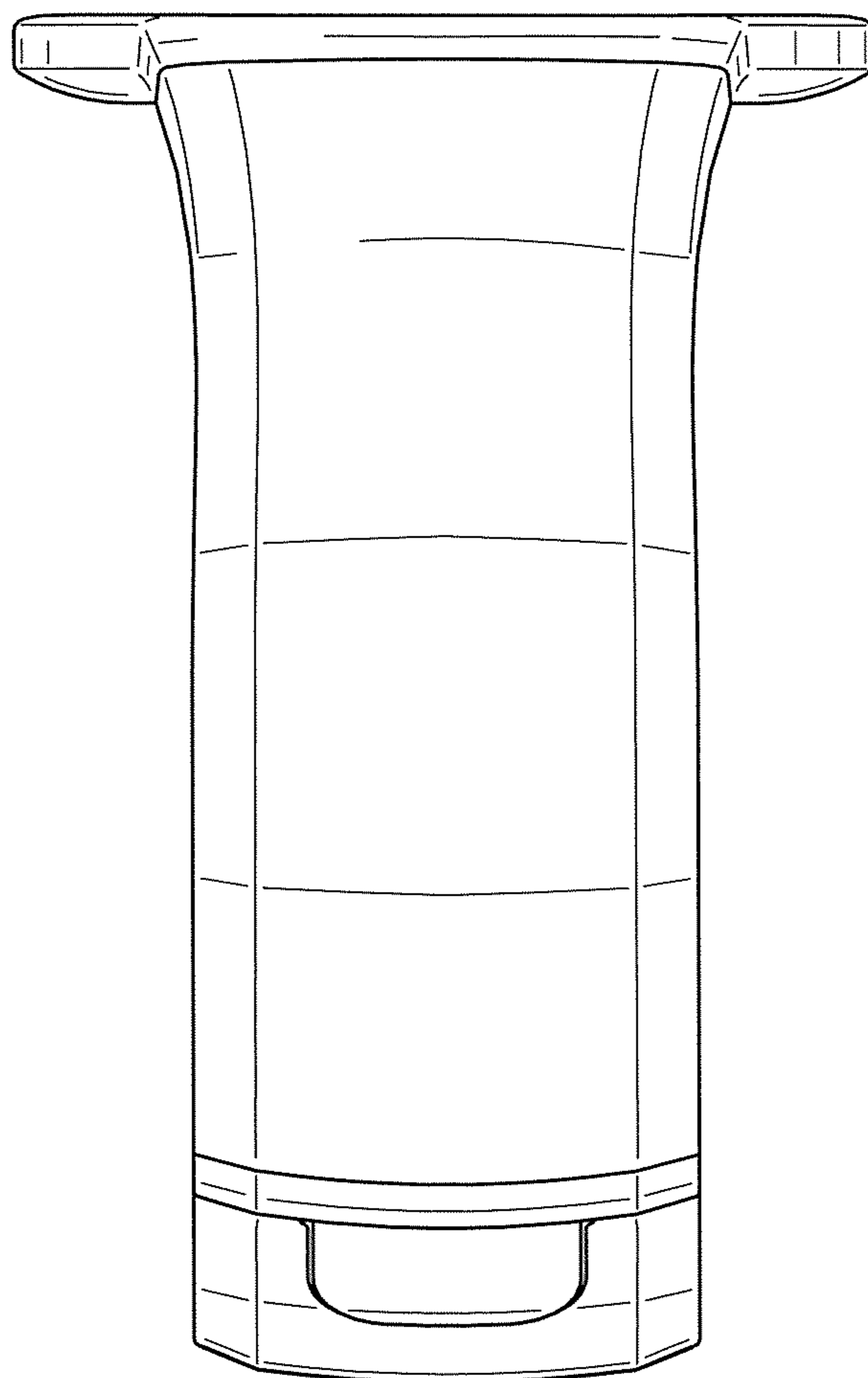


FIG. 17

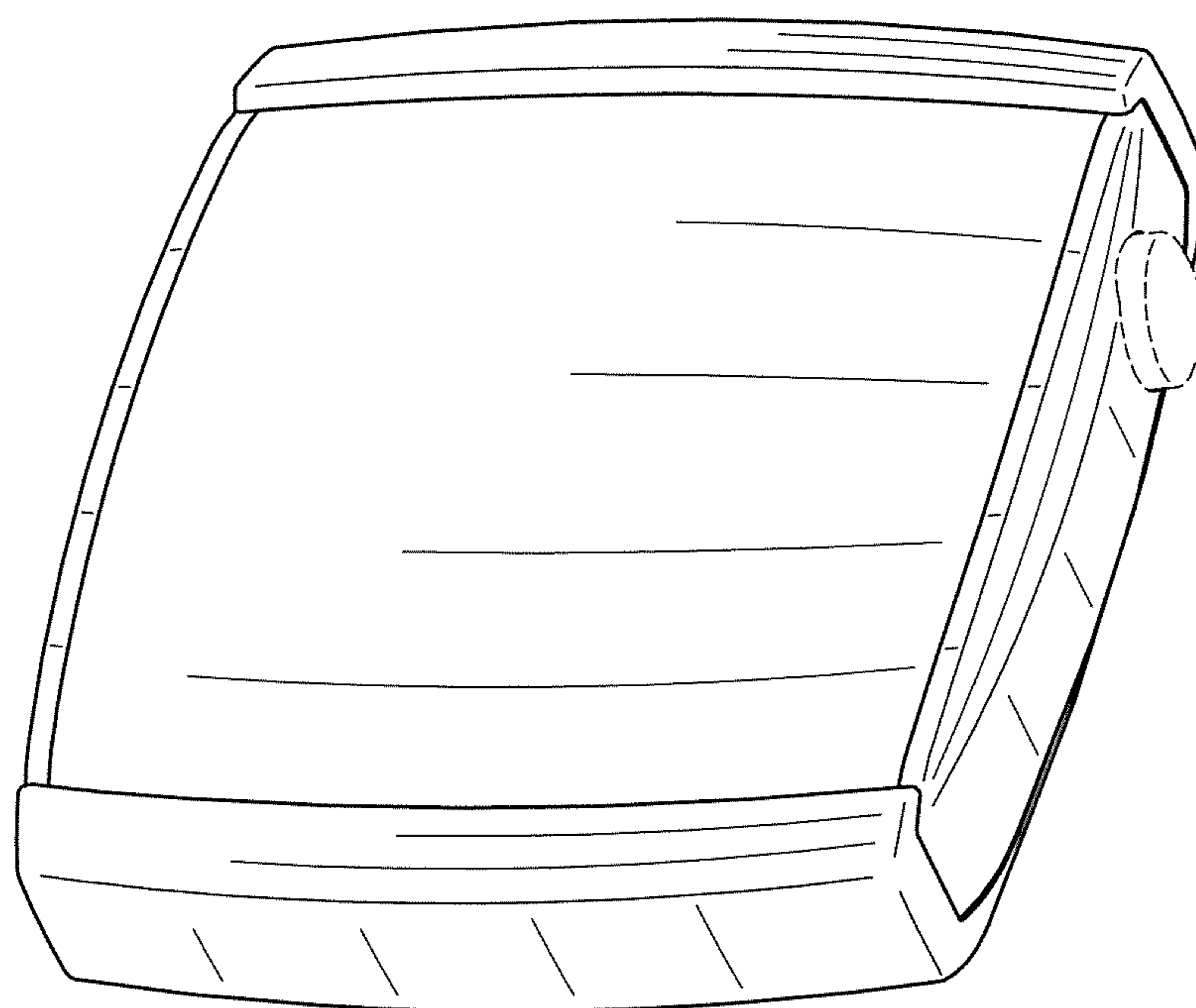


FIG. 18

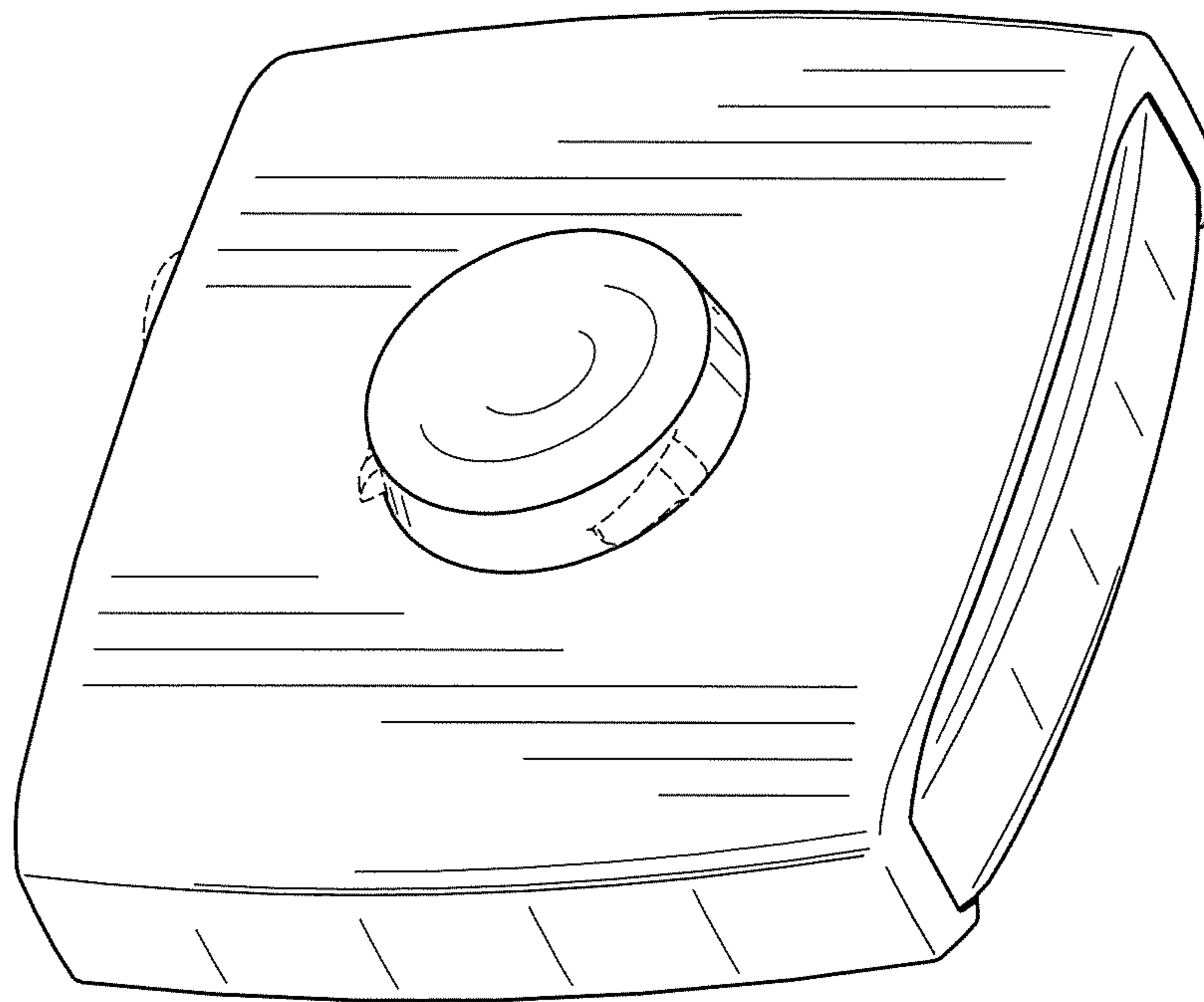


FIG. 19

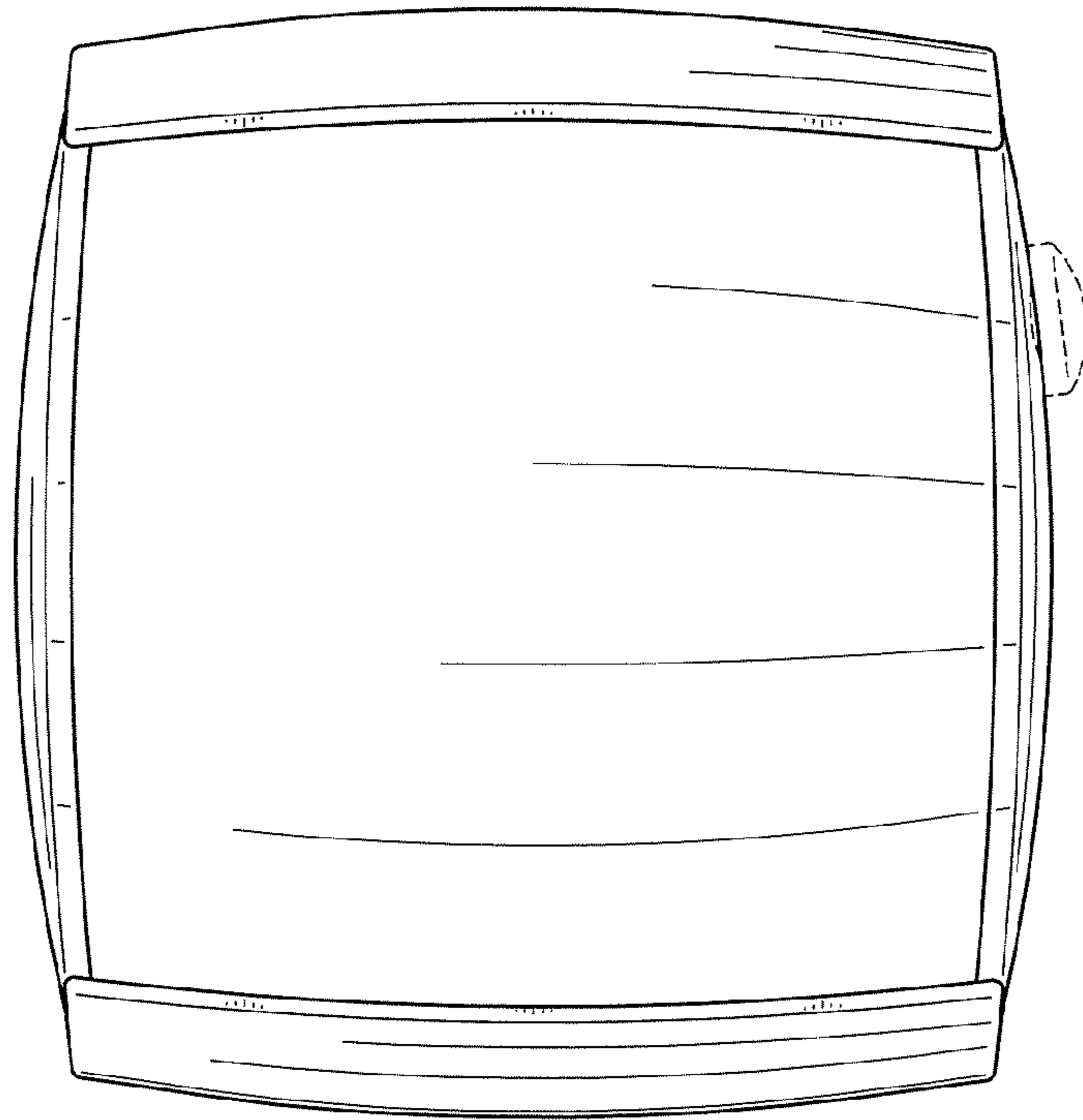


FIG. 20

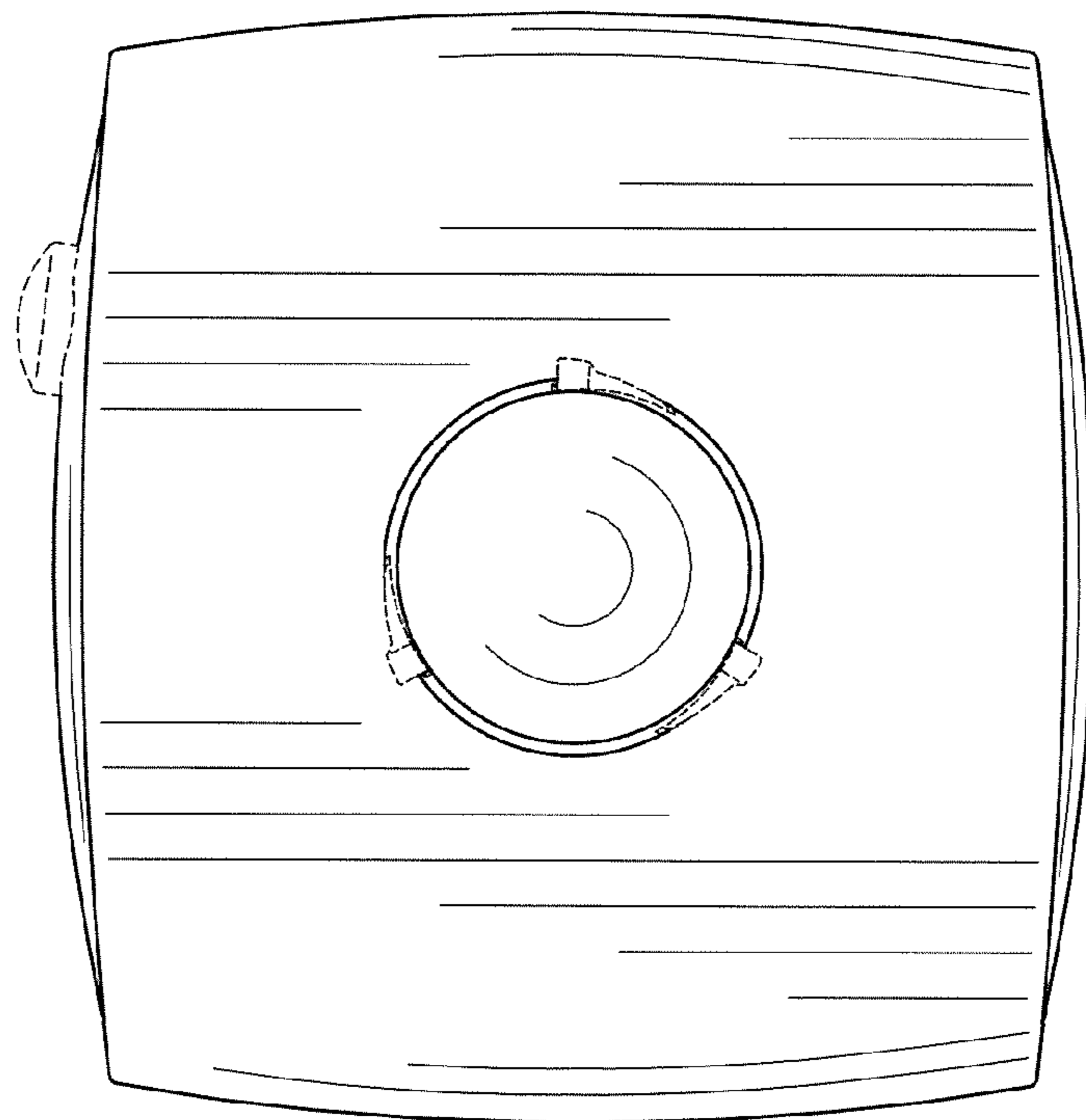


FIG. 21

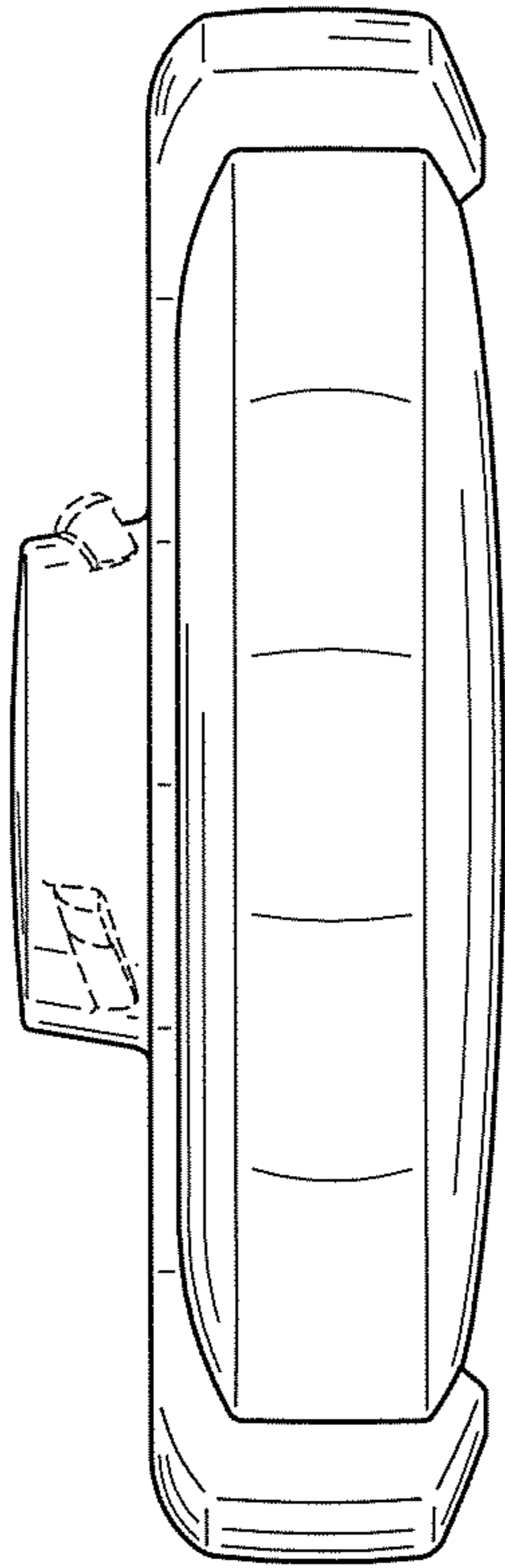


FIG. 22

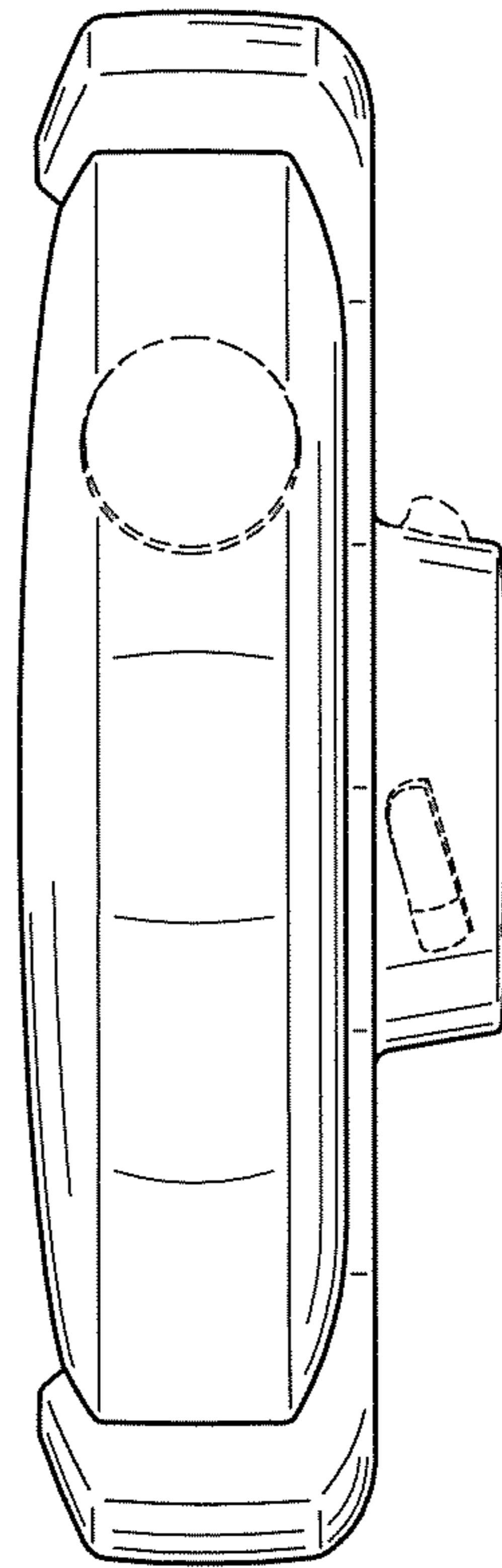


FIG. 23

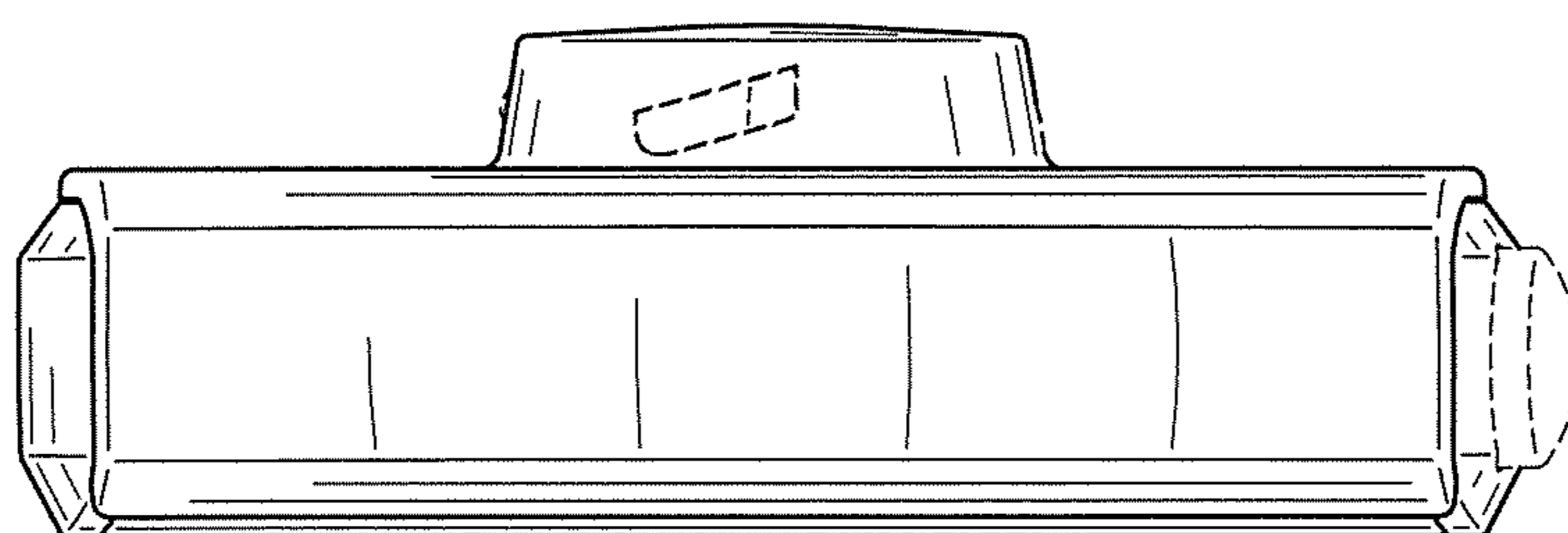


FIG. 24

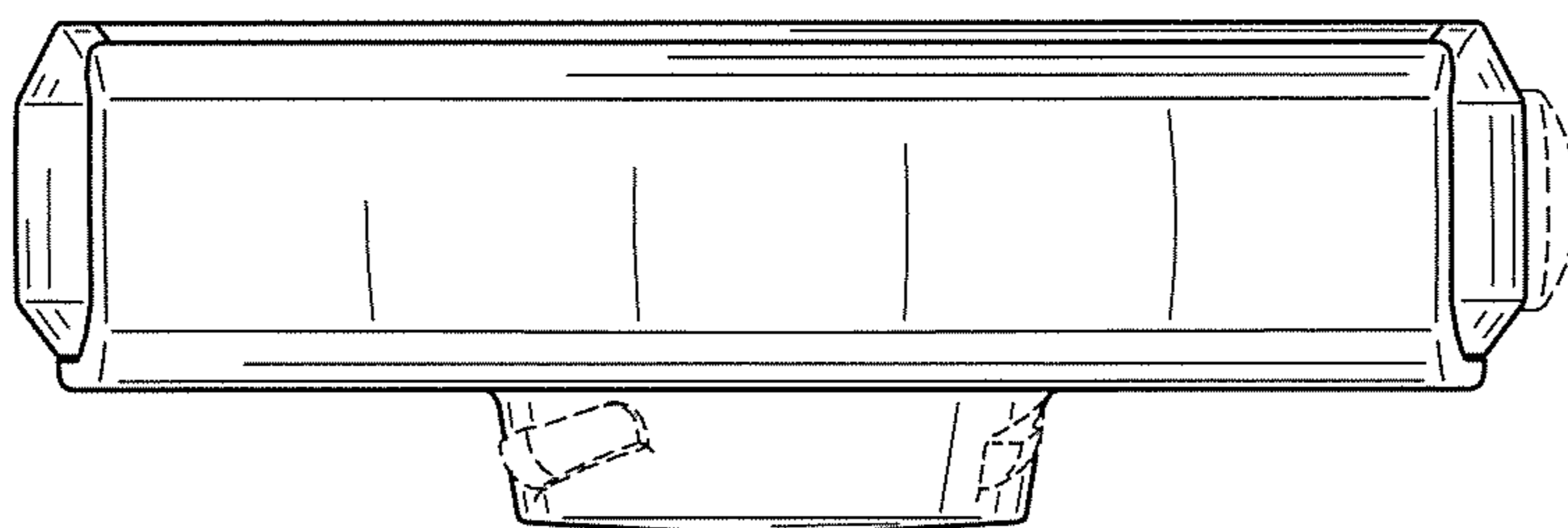


FIG. 25