



US00D734329S

(12) **United States Design Patent**
Lee

(10) **Patent No.:** **US D734,329 S**
(45) **Date of Patent:** **** Jul. 14, 2015**

(54) **ELECTRONIC DEVICE**
(71) Applicant: **Samsung Electronics Co., Ltd.**,
Suwon-si, Gyeonggi-do (KR)
(72) Inventor: **Jung Hun Lee**, Yongin-si (KR)
(73) Assignee: **SAMSUNG ELECTRONICS CO., LTD.** (KR)
(**) Term: **14 Years**
(21) Appl. No.: **29/476,484**
(22) Filed: **Dec. 13, 2013**

(30) **Foreign Application Priority Data**
Jun. 14, 2013 (KR) 30-2013-0030777

(51) **LOC (10) Cl.** **14-02**
(52) **U.S. Cl.**
USPC **D14/344**

(58) **Field of Classification Search**
USPC D14/140, 137, 138 R, 138 AB, 139, 155,
D14/191, 192, 203.1, 203.3, 203.4, 203.5,
D14/203.7, 248, 226, 218, 144, 240, 344,
D14/440, 341, 346, 448, 450, 496;
D10/30-39, 70, 65, 78, 104.1, 104.2,
D10/125; D11/3-5, 12, 19, 25; D13/168;
D8/354, 366, 402, 499; D3/215;
D15/199; 381/364, 151; 379/433.1;
455/575.1, 556.1, 556.2, 558, 575.3,
455/575.4, 575.6, 90.3; 368/10, 13, 69,
368/223; D21/329; D24/167
CPC H04B 1/03; H04B 1/385; G04G 17/083
See application file for complete search history.

(56) **References Cited**
U.S. PATENT DOCUMENTS
D298,610 S * 11/1988 Young D10/32
5,218,577 A * 6/1993 Seager 368/10
5,235,560 A * 8/1993 Seager 368/10

5,418,760 A * 5/1995 Kawashima et al. 368/69
D413,531 S * 9/1999 Philippe D10/32
D415,697 S * 10/1999 Kaneko D10/32
6,035,035 A * 3/2000 Firooz 379/433.1
D438,374 S * 3/2001 Hayman D3/215
D466,487 S * 12/2002 Wada et al. D14/138 R
D466,488 S * 12/2002 Wada et al. D14/138 R
D471,471 S * 3/2003 Fu et al. D10/32
6,567,523 B1 * 5/2003 Ghassabian 379/433.1
6,757,389 B2 * 6/2004 Firooz 379/433.1
6,757,390 B2 * 6/2004 Ito et al. 379/433.1
D523,769 S * 6/2006 Arlanda D11/26

(Continued)

OTHER PUBLICATIONS

KR_300716659 (Design-© Questel). orbit.com [online PDF] 4 pages. Uploaded Oct. 12, 2014 [retrieved on Oct. 27, 2014]. Retrieved from Internet: <<http://sobjprd.questel.fr/export/QPTUJ214/pdf2/6960015a-09e6-44ca-5b6-883fdcd059ec-193912.pdf>>.*

(Continued)

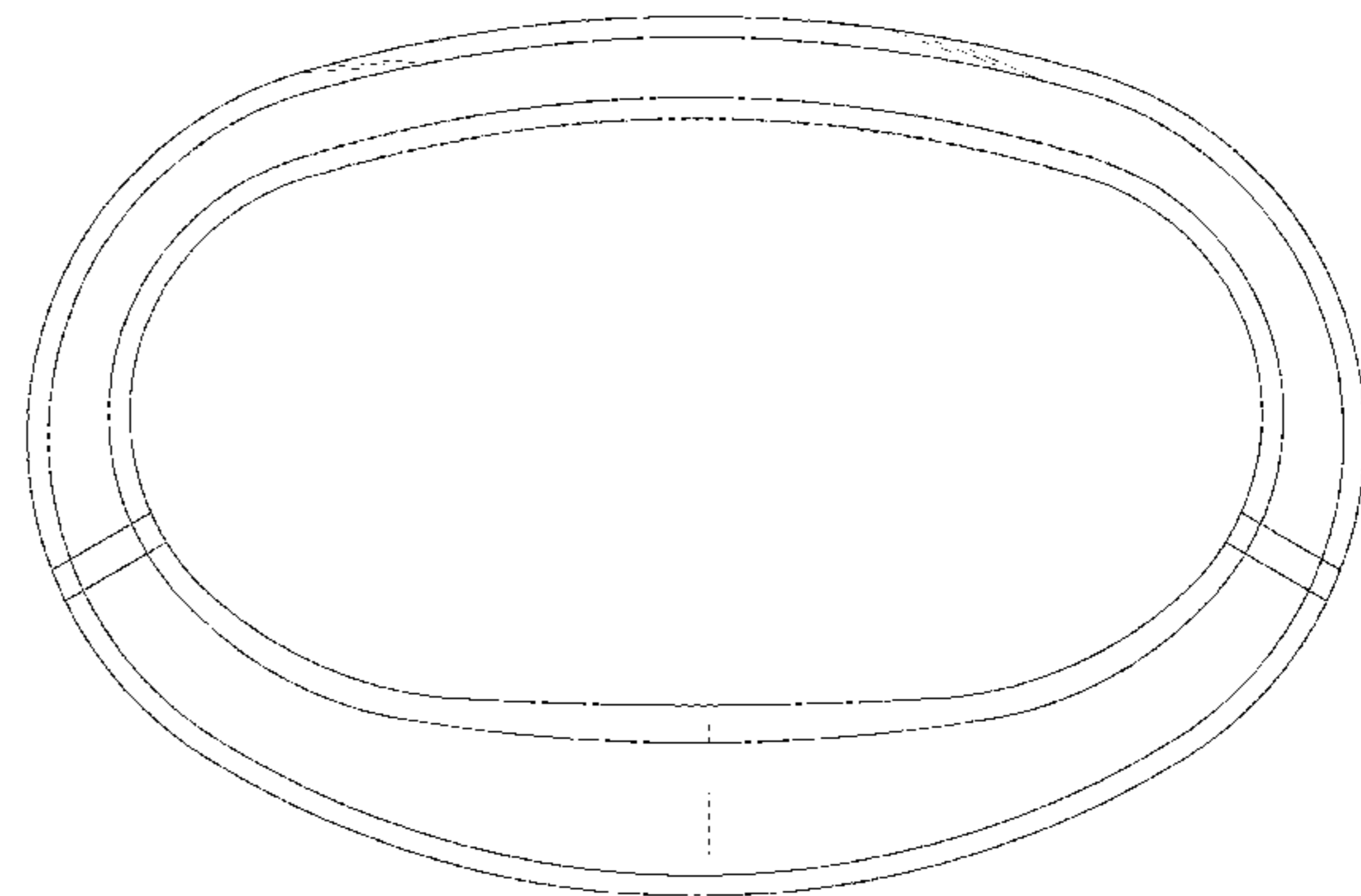
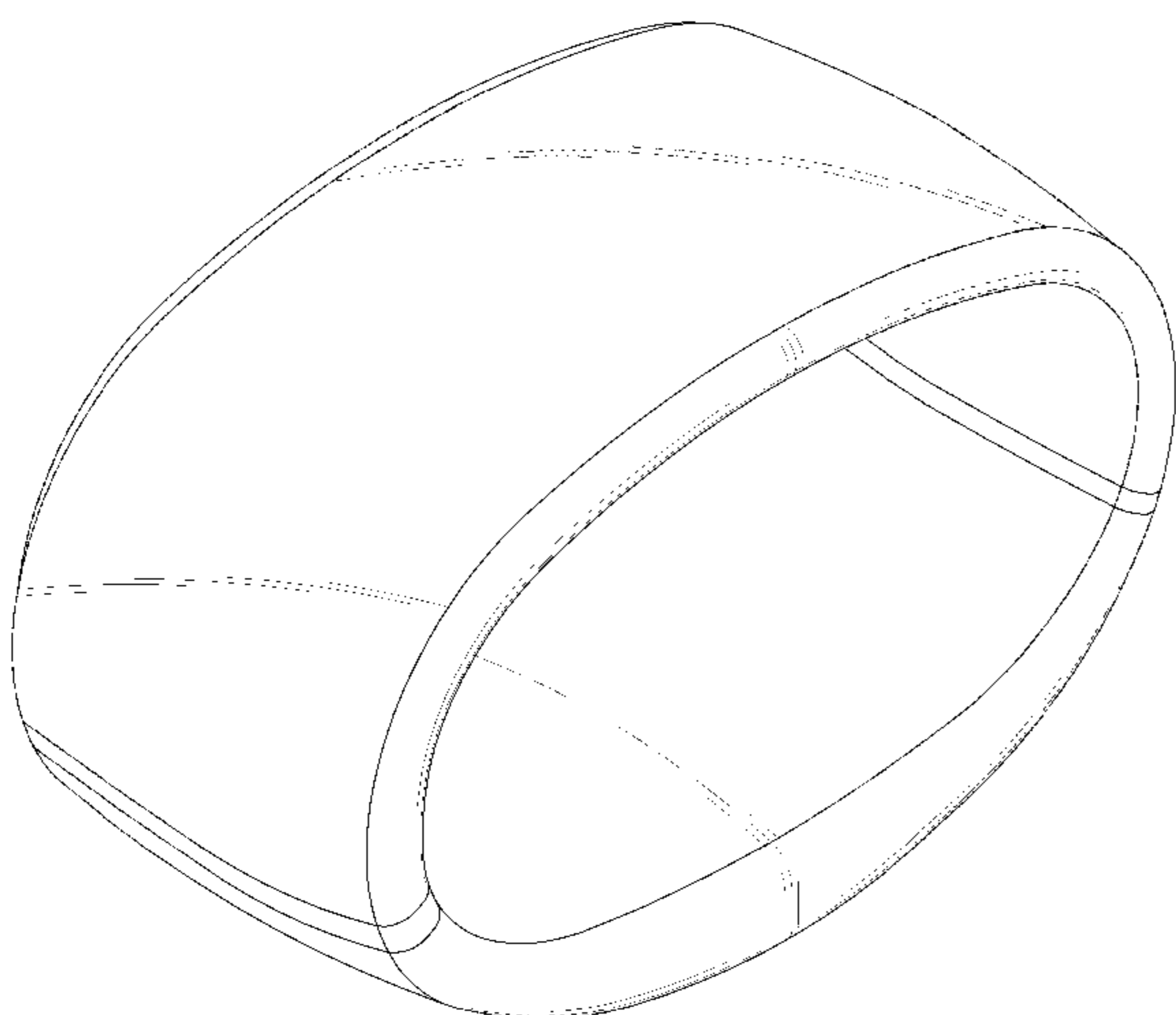
Primary Examiner — Susan Bennett Hattan
Assistant Examiner — Marie Fast Horse
(74) *Attorney, Agent, or Firm* — Cantor Colburn LLP

(57) **CLAIM**
The ornamental design for an electronic device, as shown and described.

DESCRIPTION

FIG. 1 is the front perspective view of an electronic device showing my new design;
FIG. 2 is the front view thereof;
FIG. 3 is the rear view thereof;
FIG. 4 is the left-side view thereof;
FIG. 5 is the right-side view thereof;
FIG. 6 is the top-side plan view thereof; and,
FIG. 7 is the bottom-side plan view thereof.

1 Claim, 7 Drawing Sheets



(56)

References Cited

U.S. PATENT DOCUMENTS

D543,192 S * 5/2007 Jung D14/138 R
 D549,221 S * 8/2007 Yagi et al. D14/218
 D550,112 S * 9/2007 Andren et al. D11/3
 D558,198 S * 12/2007 Blankenship et al. D14/480.5
 D565,427 S * 4/2008 Ellner et al. D10/31
 D567,227 S * 4/2008 Hada D14/218
 D567,676 S * 4/2008 Tang D10/32
 D568,768 S * 5/2008 Tang D10/30
 D570,711 S * 6/2008 Dorsz D10/32
 D576,501 S * 9/2008 Tang D10/32
 D580,277 S * 11/2008 Brady et al. D10/32
 D584,972 S * 1/2009 Aeberhard et al. D10/70
 D596,610 S * 7/2009 Hou D14/144
 D600,570 S * 9/2009 Zinder D10/31
 D626,435 S * 11/2010 Tanaka et al. D10/31
 D628,931 S * 12/2010 Maier D11/3
 D633,399 S * 3/2011 Zinder D10/31
 D661,275 S * 6/2012 Roka D14/138 R
 D671,858 S * 12/2012 Cobbett et al. D11/3
 D688,584 S * 8/2013 Cobbett et al. D11/3
 D688,585 S * 8/2013 Ohnemus et al. D11/3
 D690,218 S * 9/2013 Cobbett et al. D11/3
 D696,512 S * 12/2013 Kryklywicz D3/215
 D701,001 S * 3/2014 Daniel D29/120.1
 D701,504 S * 3/2014 Christopher et al. D14/344
 D703,069 S * 4/2014 Adams et al. D10/31
 8,705,234 B2 * 4/2014 Schneider 361/679.55
 8,725,842 B1 * 5/2014 Al-Nasser 709/219
 D710,220 S * 8/2014 Daniel D10/70
 D711,002 S * 8/2014 Ohnemus et al. D24/186

D712,930 S * 9/2014 Lee et al. D14/496
 D714,179 S * 9/2014 Park et al. D11/3
 2003/0221449 A1 * 12/2003 DeShong et al. 63/1.16
 2004/0209657 A1 * 10/2004 Ghassabian 455/575.1
 2006/0202618 A1 * 9/2006 Ishii et al. 313/513
 2008/0084657 A1 * 4/2008 Baba et al. 361/681
 2009/0255666 A1 * 10/2009 Olsen et al. 166/208
 2013/0135097 A1 * 5/2013 Doezema 340/539.13
 2014/0160055 A1 * 6/2014 Margolis et al. 345/174

OTHER PUBLICATIONS

Wrist Phone Watch. techEBlog.com [online] 6 pages. Uploaded Jan. 28, 2009 [retrieved on Oct. 27, 2014]. Retrieved from Internet: <<http://www.techeblog.com/index.php/tech-gadget/wrist-phone-watch>>.*
 Smile smartwatch (CODE emopulse). lbsmadushanka.blogspot.com [online] 10 pages. Uploaded as early as Mar. 12, 2014 [retrieved on Oct. 27, 2014]. Retrieved from Internet: <http://lbsmadushanka.blogspot.com/2013/08/emopulse-smile-smartwatch.html>.*
 Wrist Type Mobile Devices (Design-© Questel). orbit.com [online PDF] 10 pages. Uploaded as early as Mar. 12, 2014 [retrieved on Oct. 27, 2014]. Retrieved from Internet: <<http://sobjprd.questel.fr/export/QPTUJ214/pdf2/2f78fa37-6e03-40fa-b853-941e65da78d9-175438.pdf>>.*
 Leaf Wearable Bracelet Phone. Conceptphones.com [online] 5 pages. Uploaded Aug. 12, 2009 [retrieved on Oct. 29, 2014]. Retrieved from Internet: <<http://www.concept-phones.com/eco-friendly/leaf-wearable-bracelet-phone-relies-solar-energy-beautiful/>>.*

* cited by examiner

Fig. 1

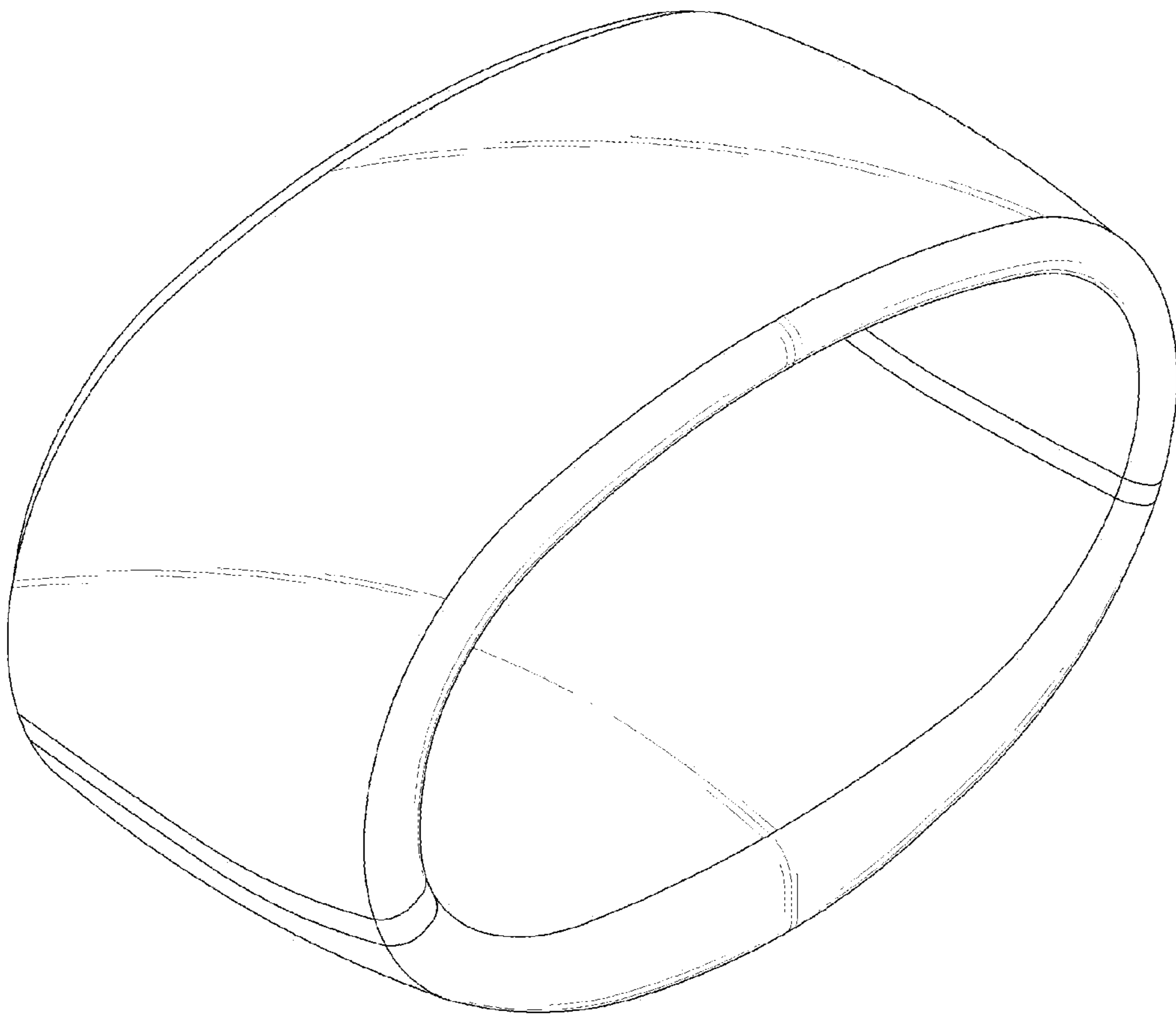


Fig. 2

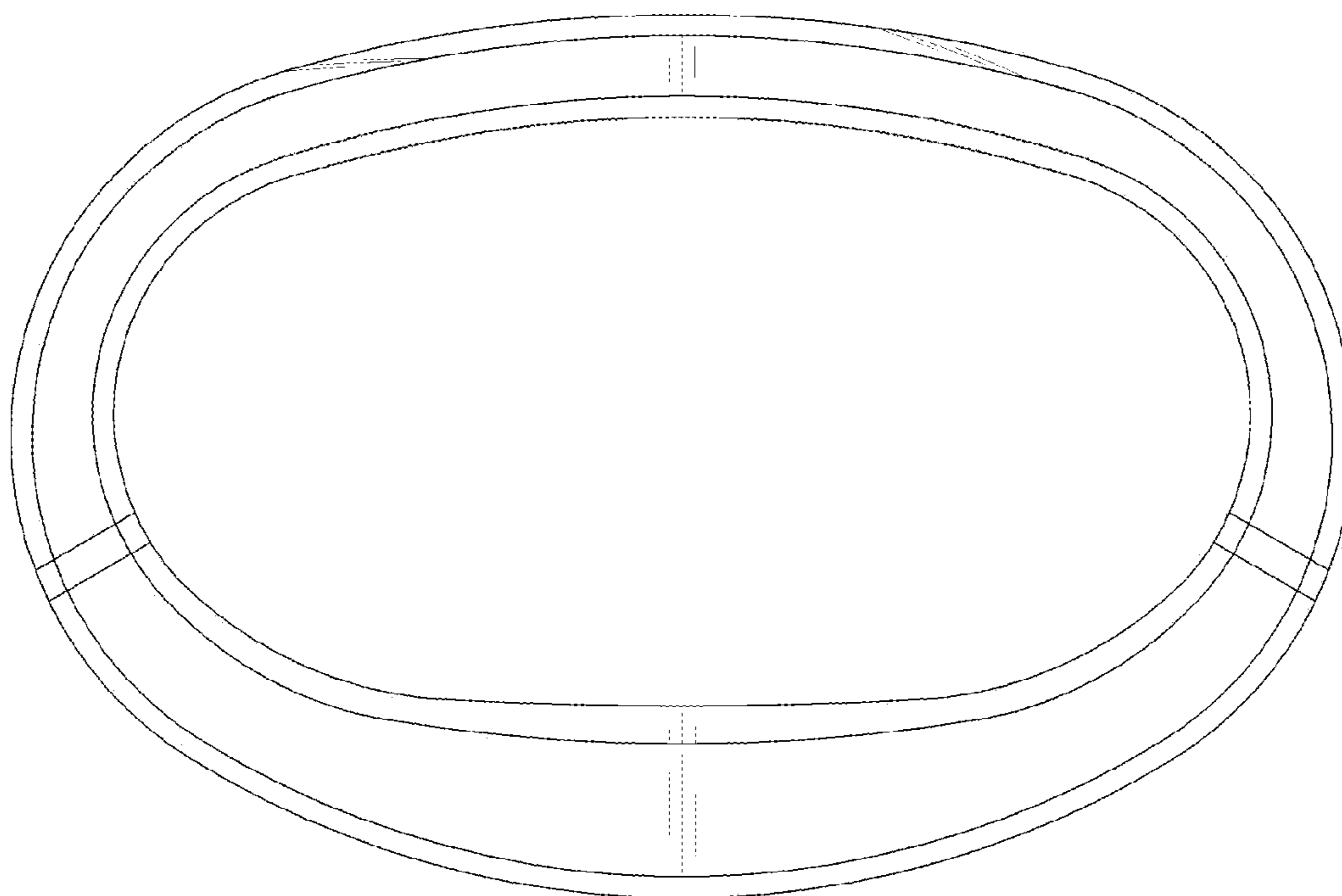


Fig. 3

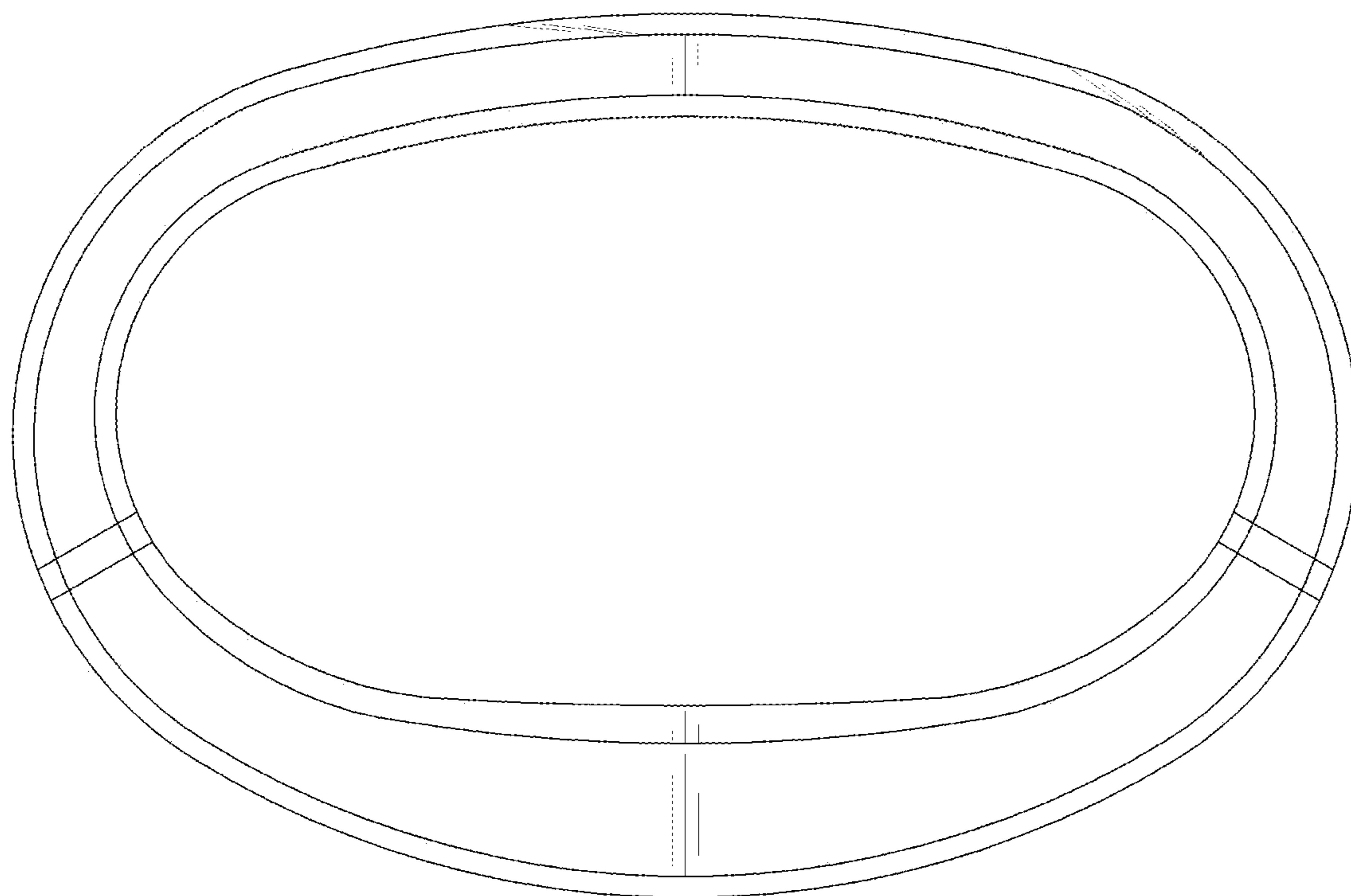


Fig. 4

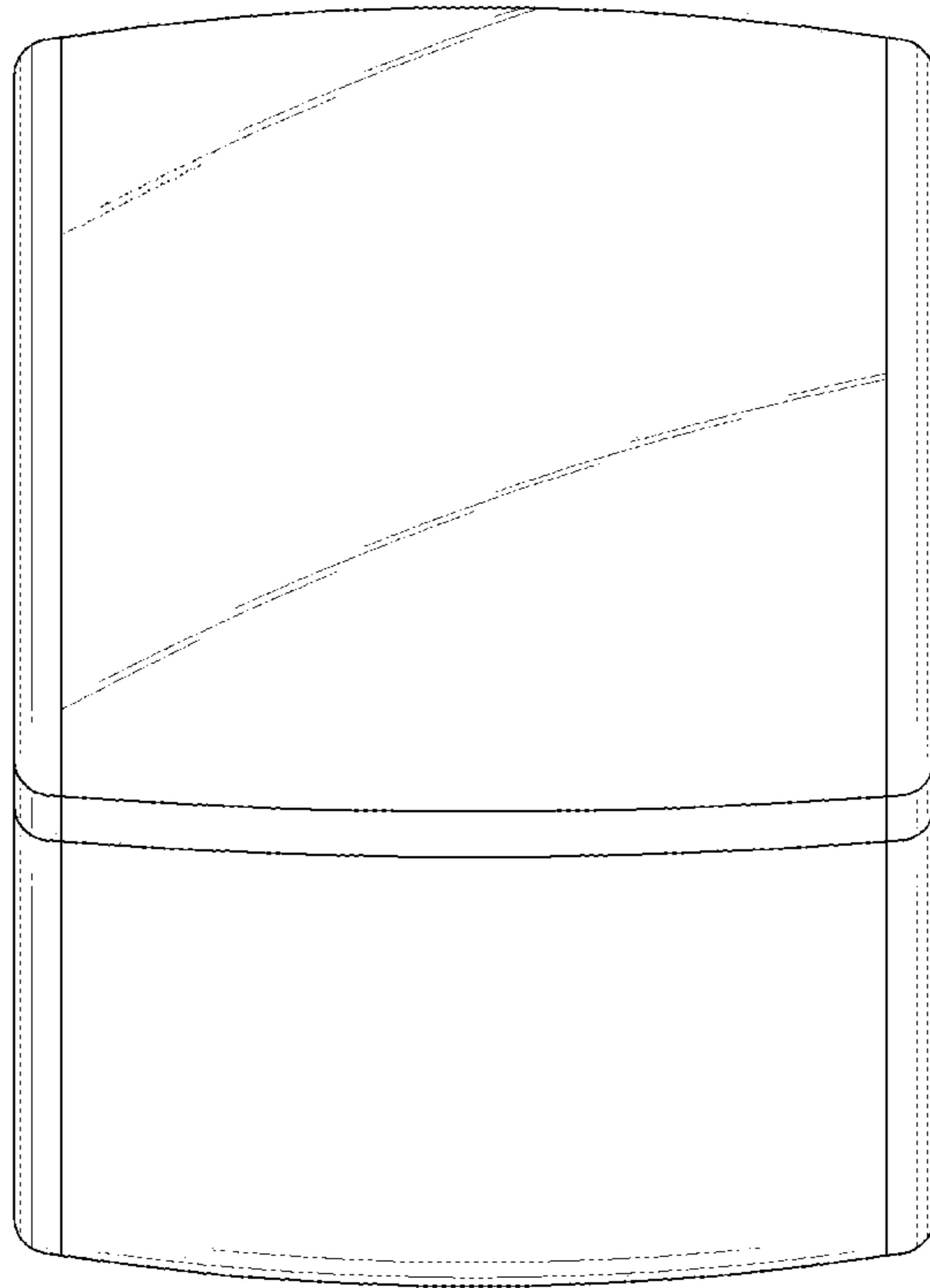


Fig. 5

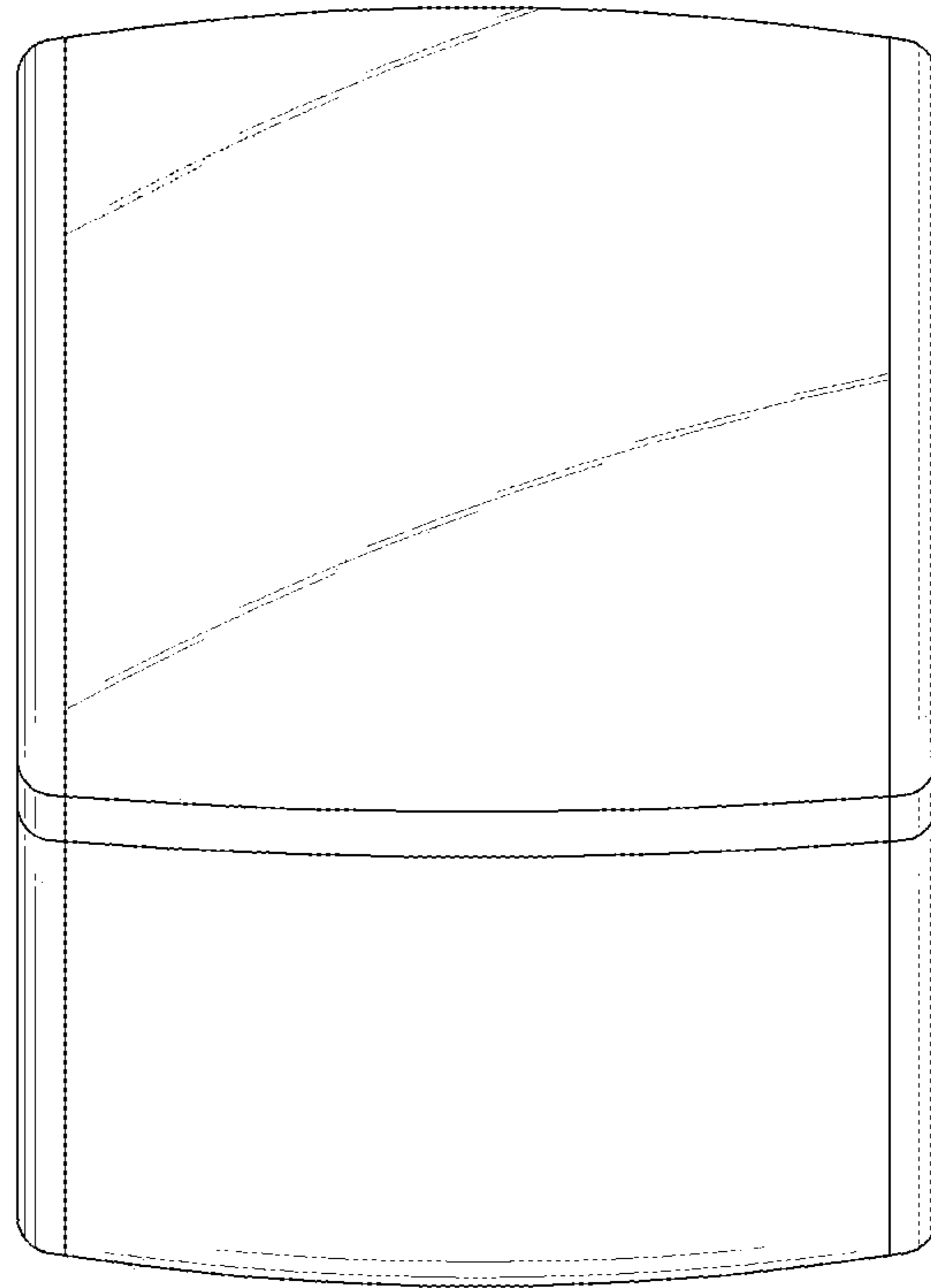


Fig. 6

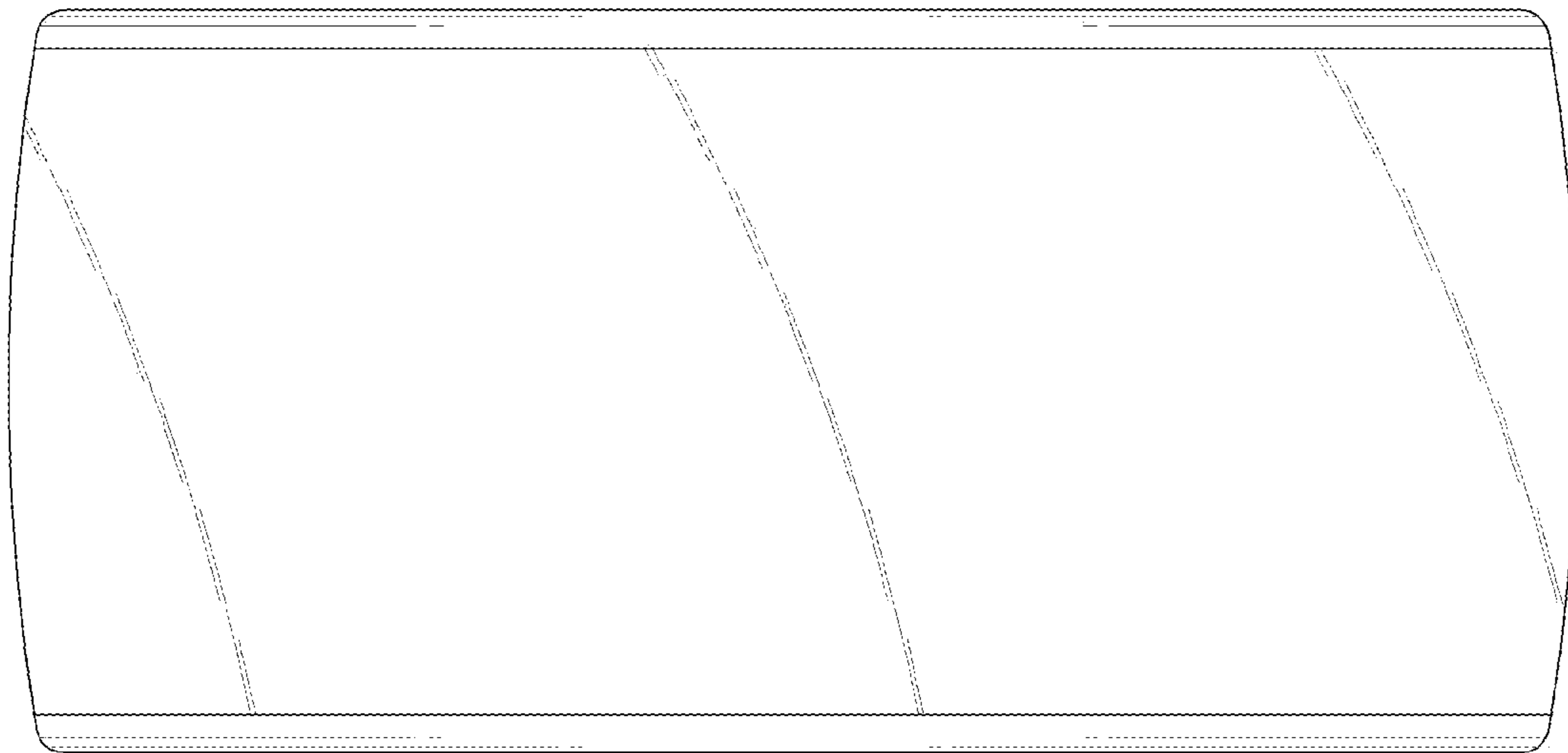


Fig. 7

