

US00D734328S

(12) **United States Design Patent**  
**Song**

(10) **Patent No.:** **US D734,328 S**  
(45) **Date of Patent:** **\*\* Jul. 14, 2015**

(54) **ELECTRONIC DEVICE**

(71) Applicant: **SAMSUNG ELECTRONICS CO., LTD.**, Suwon-si, Gyeonggi-do (KR)

(72) Inventor: **Junyong Song**, Sunghnam-si (KR)

(73) Assignee: **SAMSUNG ELECTRONICS CO., LTD.** (KR)

(\*\*) Term: **14 Years**

(21) Appl. No.: **29/470,934**

(22) Filed: **Oct. 25, 2013**

(30) **Foreign Application Priority Data**

Aug. 30, 2013 (KR) ..... 30-2013-0044687

(51) **LOC (10) Cl.** ..... **14-02**

(52) **U.S. Cl.**  
USPC ..... **D14/344**; D10/31

(58) **Field of Classification Search**  
USPC ..... D14/140, 137, 138 R, 138 AB, 139, 155, D14/191, 192, 203.1, 203.3, 203.4, 203.5, D14/203.7, 248, 226, 218, 144, 240, 344, D14/440, 341, 346, 448, 450, 496; D10/30-39, 70, 65, 78, 104.1, 104.2, D10/125; D11/3-5, 12, 19, 25; D13/168; D8/354, 366, 402, 499; D3/215; D15/199; 381/364, 151; 379/433.1; 455/575.1, 556.1, 556.2, 558, 575.3, 455/575.4, 575.6, 90.3; 368/10, 13, 69, 368/223; D21/329; D24/167; 224/175; 24/190, 265 WS

See application file for complete search history.

(56) **References Cited**

**U.S. PATENT DOCUMENTS**

1,431,802 A \* 10/1922 Horvath ..... 63/22  
3,136,547 A \* 6/1964 Schaper ..... 473/406  
3,706,117 A \* 12/1972 Axisa ..... 24/574.1

4,427,303 A \* 1/1984 Matthias ..... 368/282  
4,586,827 A \* 5/1986 Hirsch et al. .... 368/282  
4,847,818 A \* 7/1989 Olsen ..... 368/10  
5,054,051 A \* 10/1991 Hoff ..... 455/556.1  
5,179,733 A \* 1/1993 Matsui ..... 455/344  
5,381,387 A \* 1/1995 Blonder et al. .... 368/10  
D356,433 S \* 3/1995 Humphrey ..... D2/614  
D362,946 S \* 10/1995 Polenber ..... D11/3  
5,467,324 A \* 11/1995 Houlihan ..... 368/10  
5,499,292 A \* 3/1996 Blonder et al. .... 379/433.1  
D369,751 S \* 5/1996 Boyer et al. .... D10/31  
5,564,082 A \* 10/1996 Blonder et al. .... 455/575.6  
D381,980 S \* 8/1997 Andrea ..... D14/148  
D383,073 S \* 9/1997 Miller ..... D10/31  
D407,654 S \* 4/1999 Rayon ..... D10/31

(Continued)

**OTHER PUBLICATIONS**

Hyper link <http://mobilab.tistory.com>l33 printed on Oct. 23, 2013, pp. 1-9.

*Primary Examiner* — Susan Bennett Hattan

*Assistant Examiner* — Marie Fast Horse

(74) *Attorney, Agent, or Firm* — Cantor Colburn LLP

(57) **CLAIM**

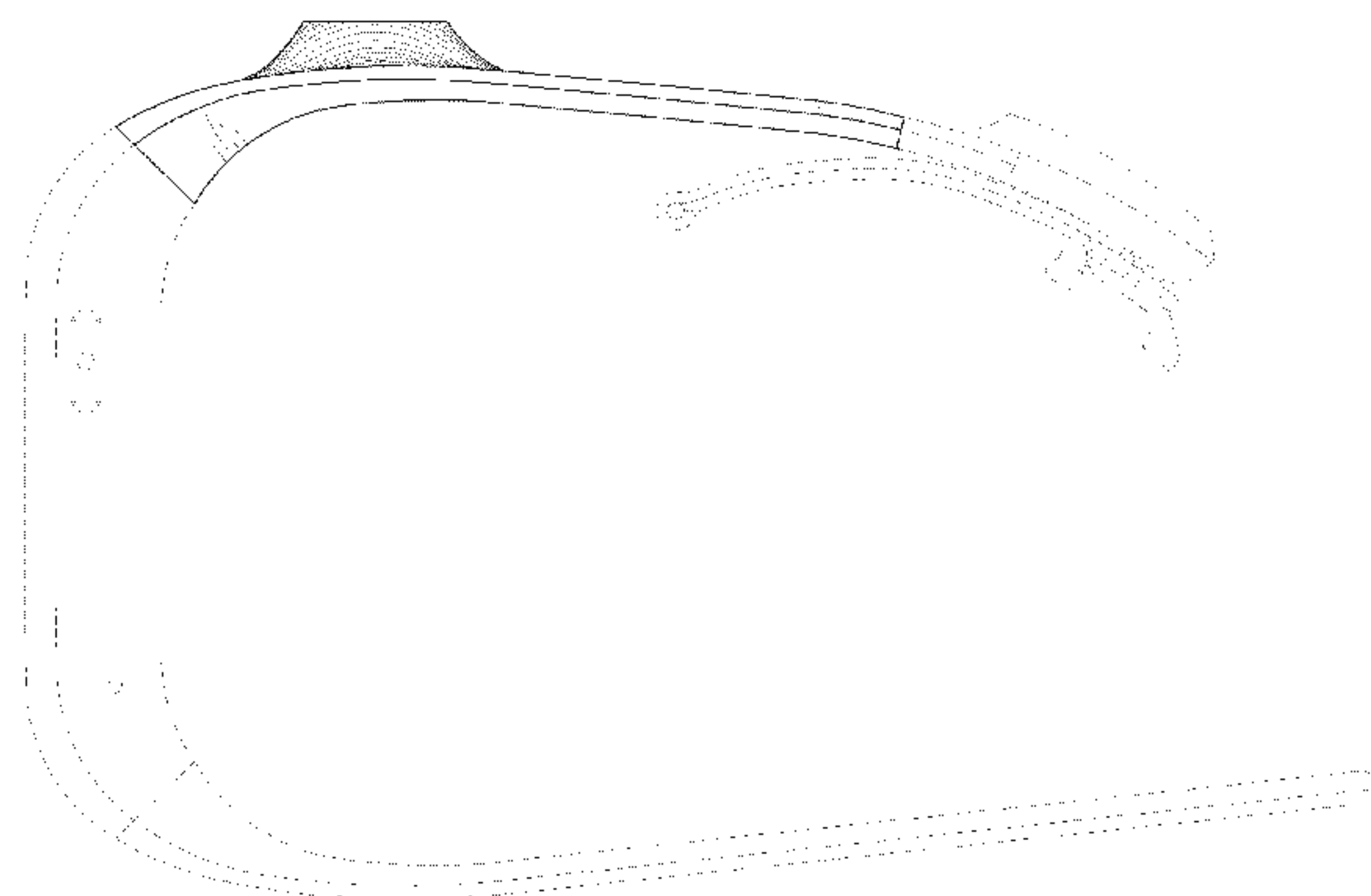
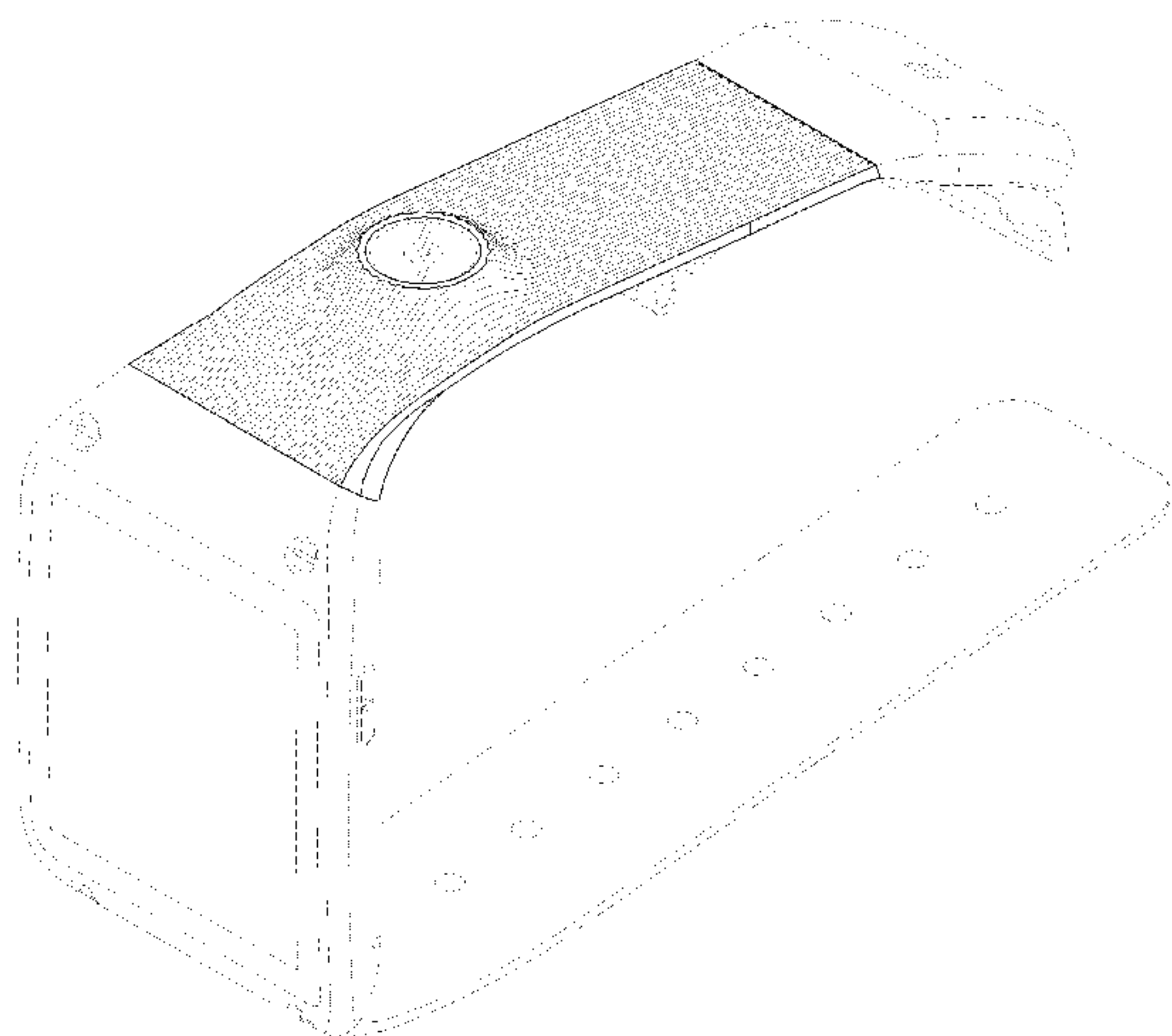
I claim, the ornamental design for an electronic device, as shown and described.

**DESCRIPTION**

FIG. 1 is the front perspective view of an electronic device showing my new design;  
FIG. 2 is a front elevation view thereof;  
FIG. 3 is a rear elevation view thereof;  
FIG. 4 is a side elevation view thereof;  
FIG. 5 is another side elevation view thereof;  
FIG. 6 is a top plan view thereof;  
FIG. 7 is a bottom plan view thereof; and,  
FIG. 8 is an enlarged cross-sectional view taken along lines A-A of FIG. 6.

The broken lines depict portions of the electronic device that form no part of the claimed design.

**1 Claim, 8 Drawing Sheets**



(56)

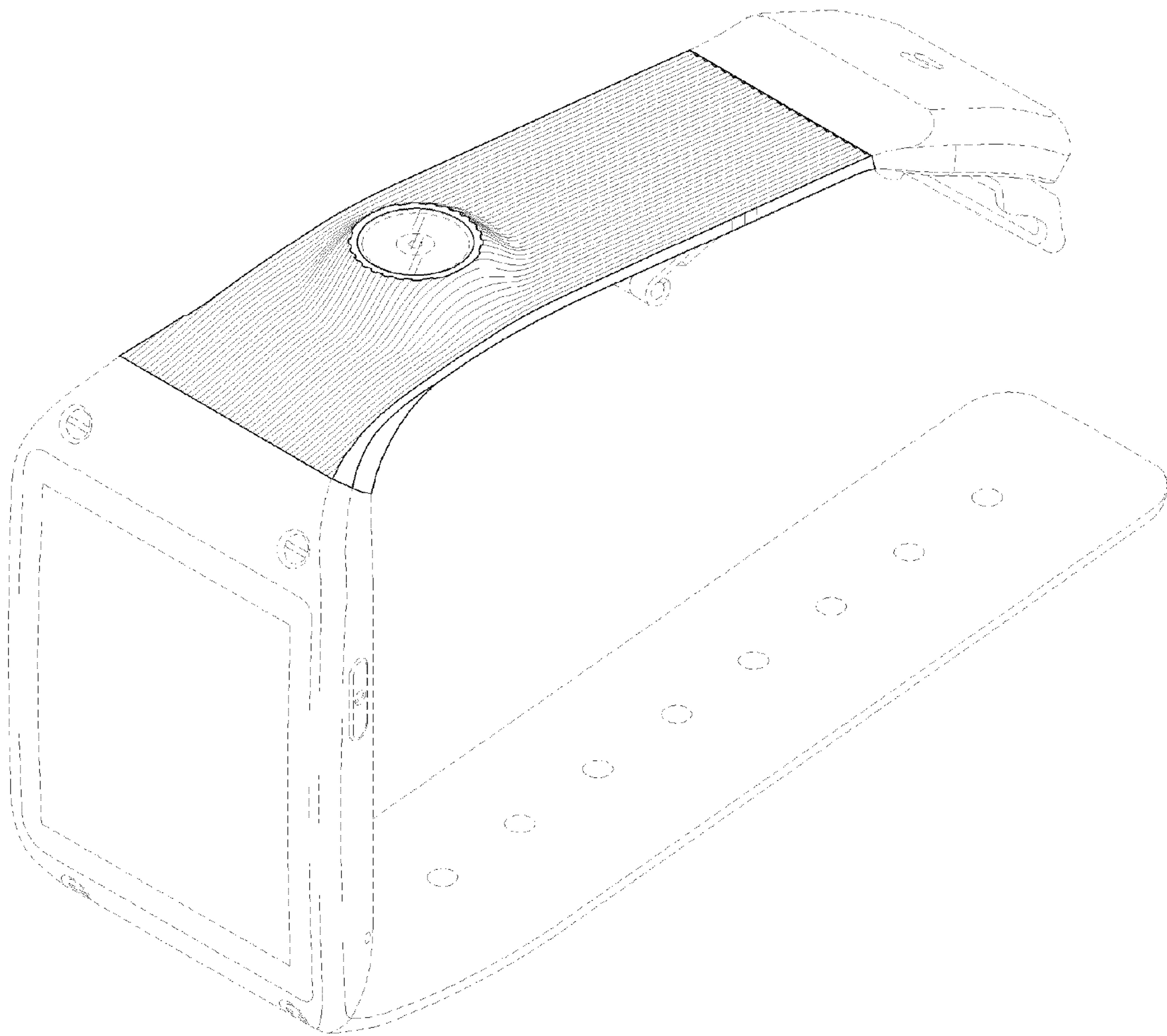
References Cited

U.S. PATENT DOCUMENTS

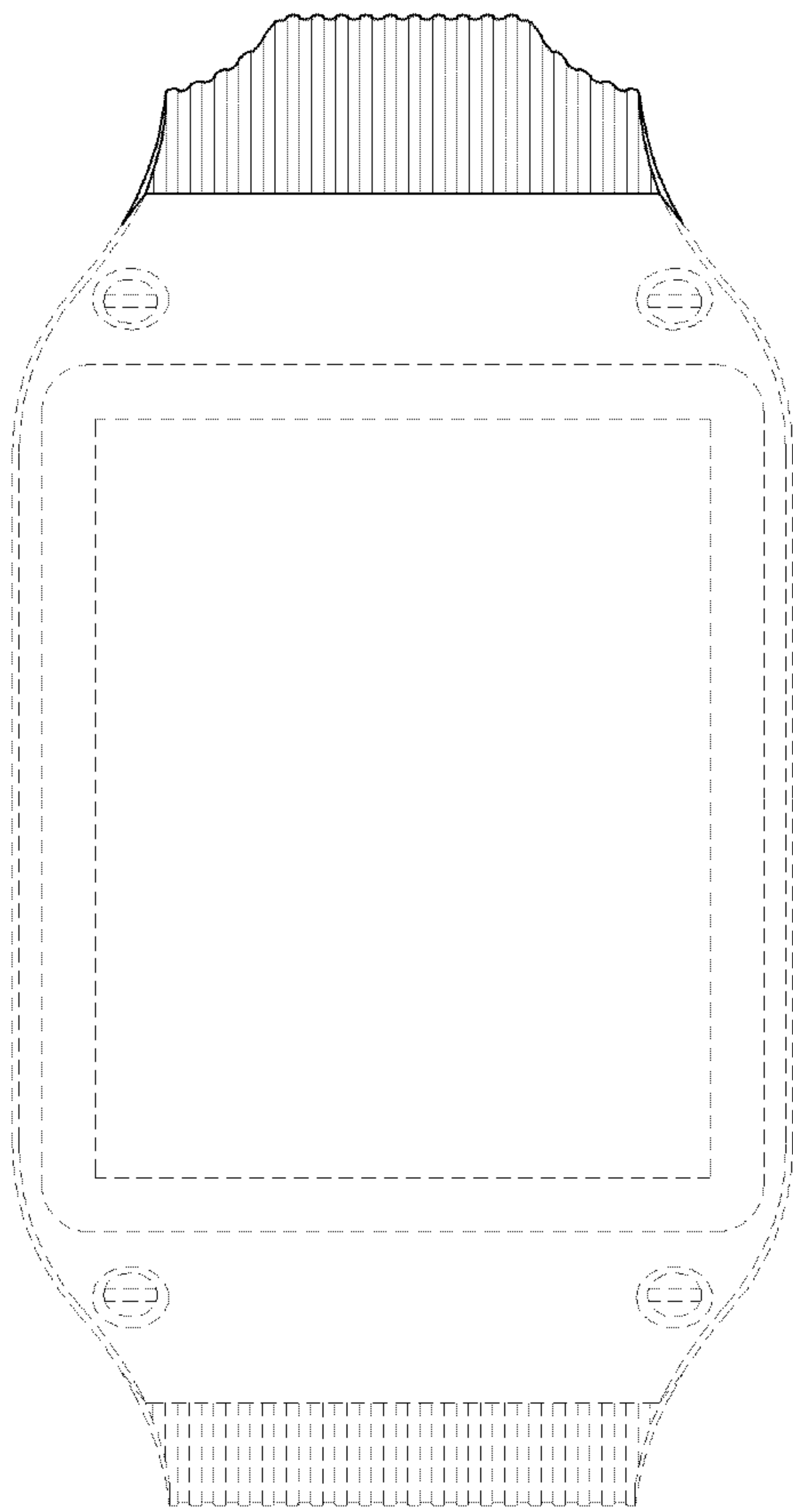
D410,406 S *	6/1999	Iwamoto et al. ....	D11/3	D673,334 S *	12/2012	Guo .....	D30/152
6,212,414 B1 *	4/2001	Alameh et al. ....	455/575.6	8,370,549 B2 *	2/2013	Burton et al. ....	710/63
D443,221 S *	6/2001	Jacob et al. ....	D11/3	D684,879 S *	6/2013	Hwang .....	D11/3
D450,613 S *	11/2001	Rantala .....	D11/3	8,506,158 B2 *	8/2013	Keung et al. ....	368/282
D466,879 S *	12/2002	Wada et al. ....	D14/138 R	D692,339 S *	10/2013	Cerrato .....	D11/3
D473,155 S *	4/2003	Bonnet .....	D11/26	D692,341 S *	10/2013	Hwang .....	D11/3
D488,391 S *	4/2004	Kume .....	D10/32	D698,503 S *	1/2014	Fidrych et al. ....	D30/152
D497,827 S *	11/2004	Yamamoto .....	D11/3	D709,476 S *	7/2014	Park et al. ....	D14/138 R
D535,205 S *	1/2007	Frederick et al. ....	D10/104.1	D709,874 S *	7/2014	Aumiller et al. ....	D14/344
D589,375 S *	3/2009	Tang .....	D10/32	D710,736 S *	8/2014	Goto .....	D11/3
D598,301 S *	8/2009	Moritz .....	D10/32	D711,372 S *	8/2014	Aumiller et al. ....	D14/344
D610,472 S *	2/2010	Nashimoto .....	D10/32	D711,760 S *	8/2014	Savoy .....	D11/3
D628,111 S *	11/2010	Cerrato .....	D11/3	D711,761 S *	8/2014	Savoy .....	D11/3
D637,918 S *	5/2011	Cobbett et al. ....	D10/31	D711,872 S *	8/2014	Aumiller et al. ....	D14/344
D638,736 S *	5/2011	Cobbett et al. ....	D11/3	D711,873 S *	8/2014	Aumiller et al. ....	D14/344
D641,661 S *	7/2011	Zhang .....	D11/231	2007/0200716 A1 *	8/2007	Haase et al. ....	340/574
D651,115 S *	12/2011	Willows et al. ....	D11/3	2007/0232373 A1 *	10/2007	Yoshida et al. ....	455/575.6
D659,580 S *	5/2012	Veit .....	D11/3	2012/0250471 A1 *	10/2012	Bianco et al. ....	368/282
D664,880 S *	8/2012	Cobbett et al. ....	D11/3	2013/0001263 A1 *	1/2013	Kai .....	224/219
D664,881 S *	8/2012	Cobbett et al. ....	D11/3	2013/0088942 A1 *	4/2013	Perko et al. ....	368/278
8,301,211 B2 *	10/2012	Lee et al. ....	455/575.6	2013/0219960 A1 *	8/2013	Gerard-Goddet .....	63/3.2
				2013/0261405 A1 *	10/2013	Lee et al. ....	600/301
				2014/0078871 A1 *	3/2014	Savoy .....	368/282
				2014/0143785 A1 *	5/2014	Mistry et al. ....	718/104

\* cited by examiner

**FIG. 1**



**FIG. 2**





**FIG. 3**

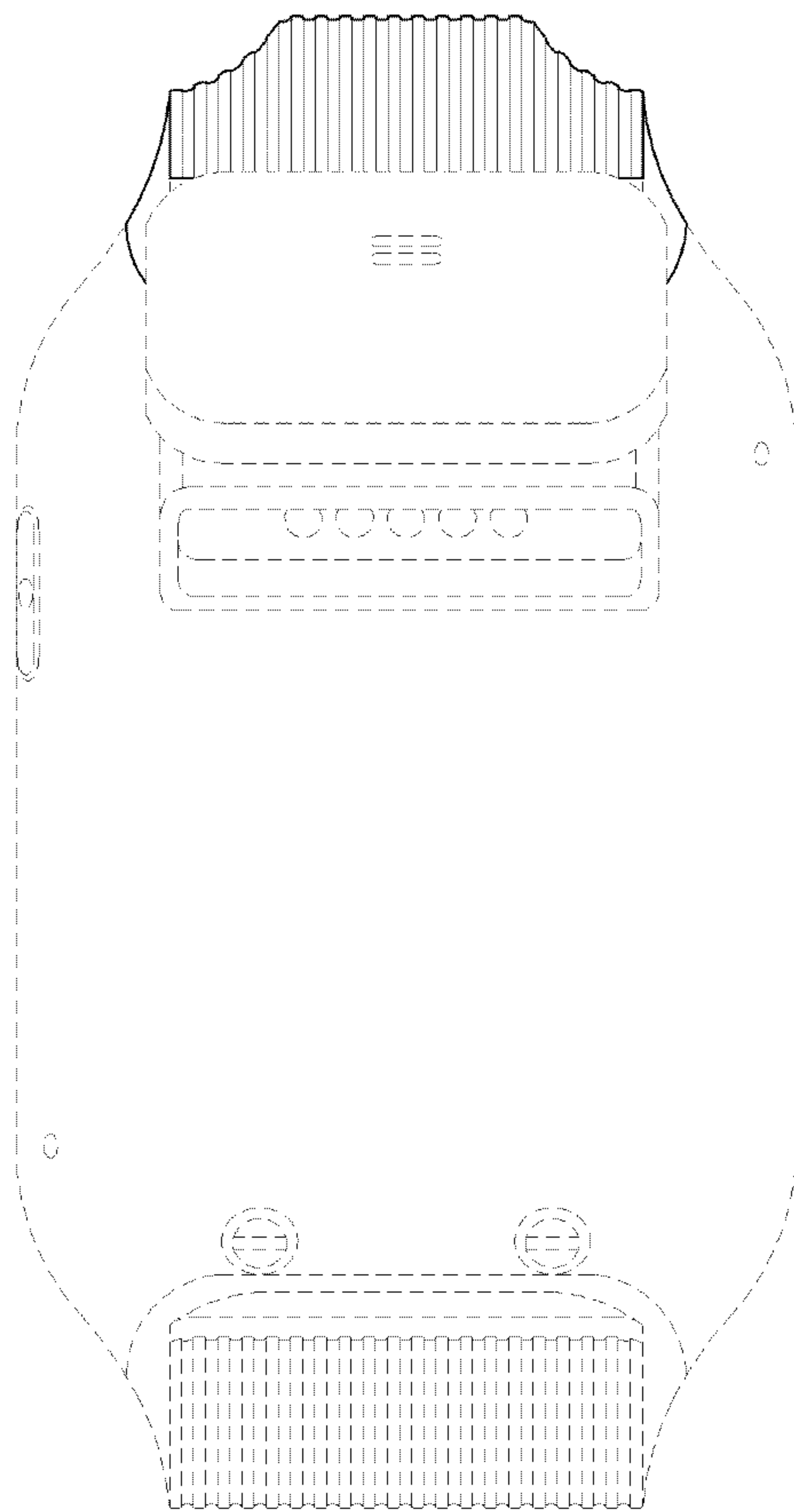


FIG. 4

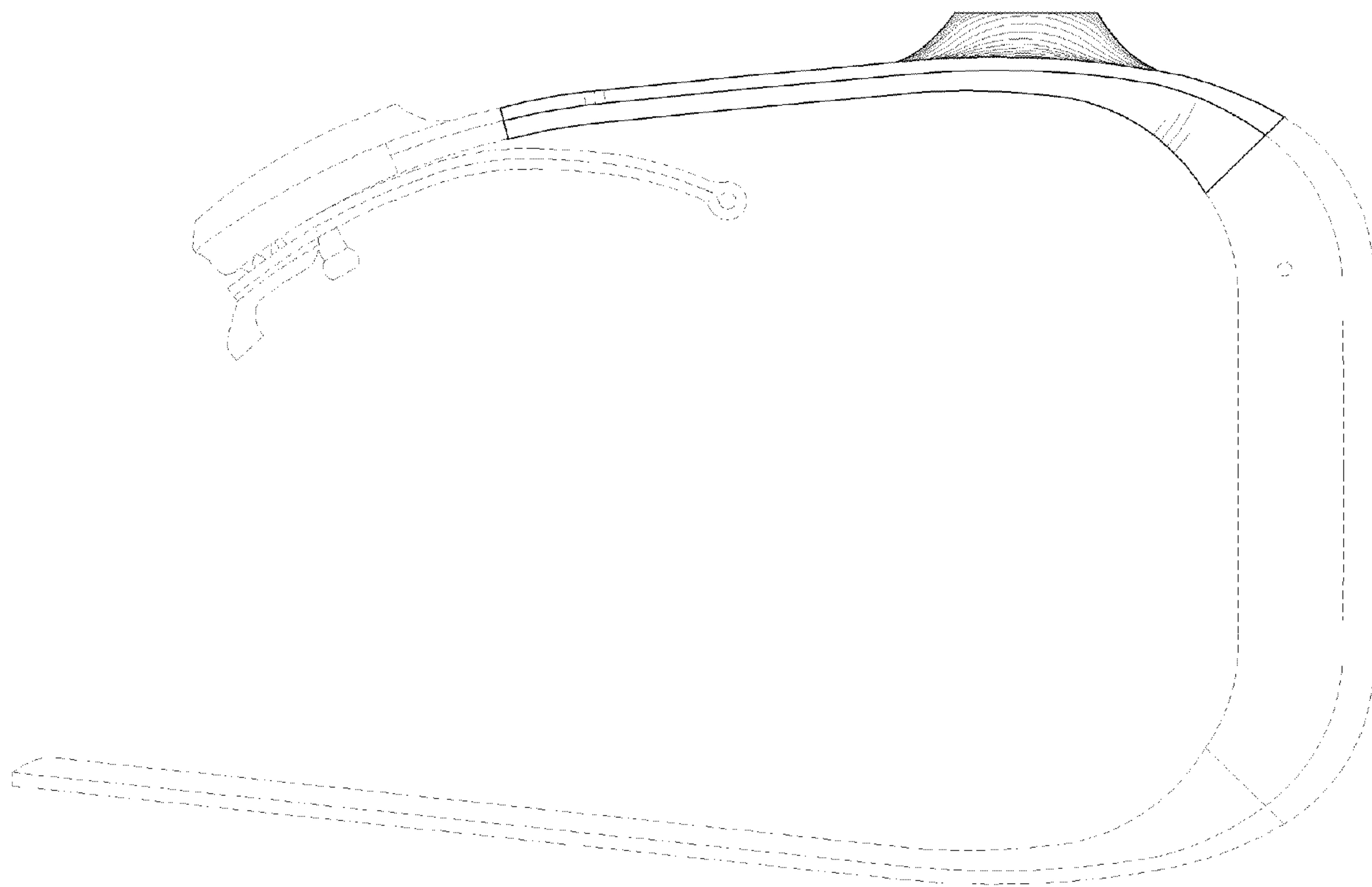
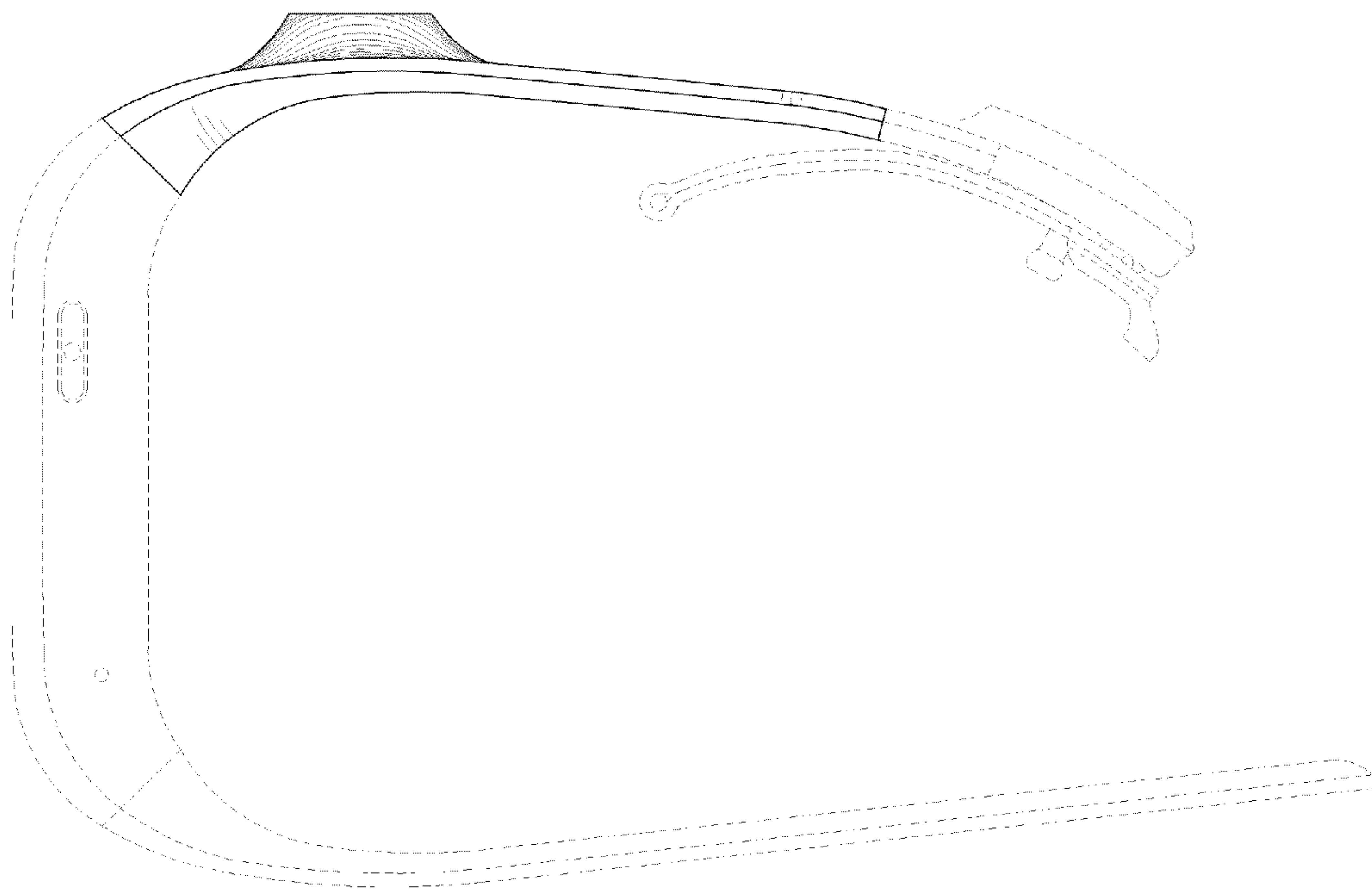
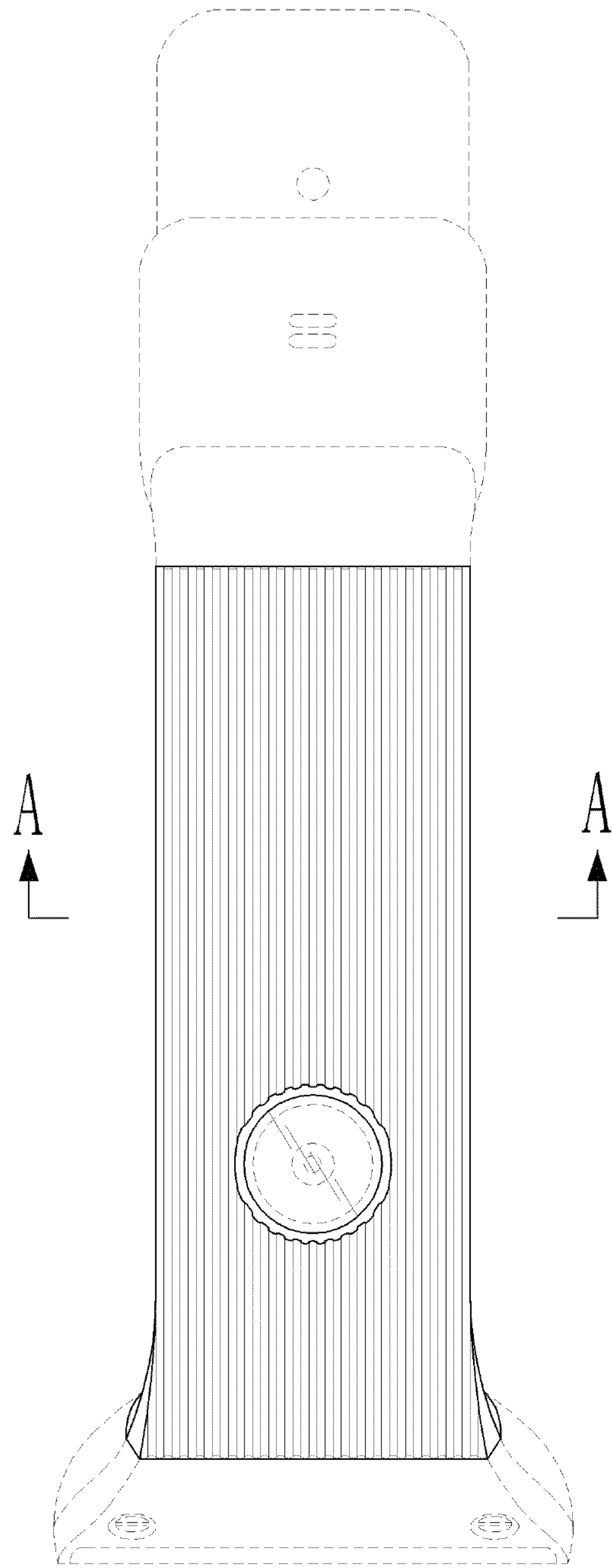


FIG. 5

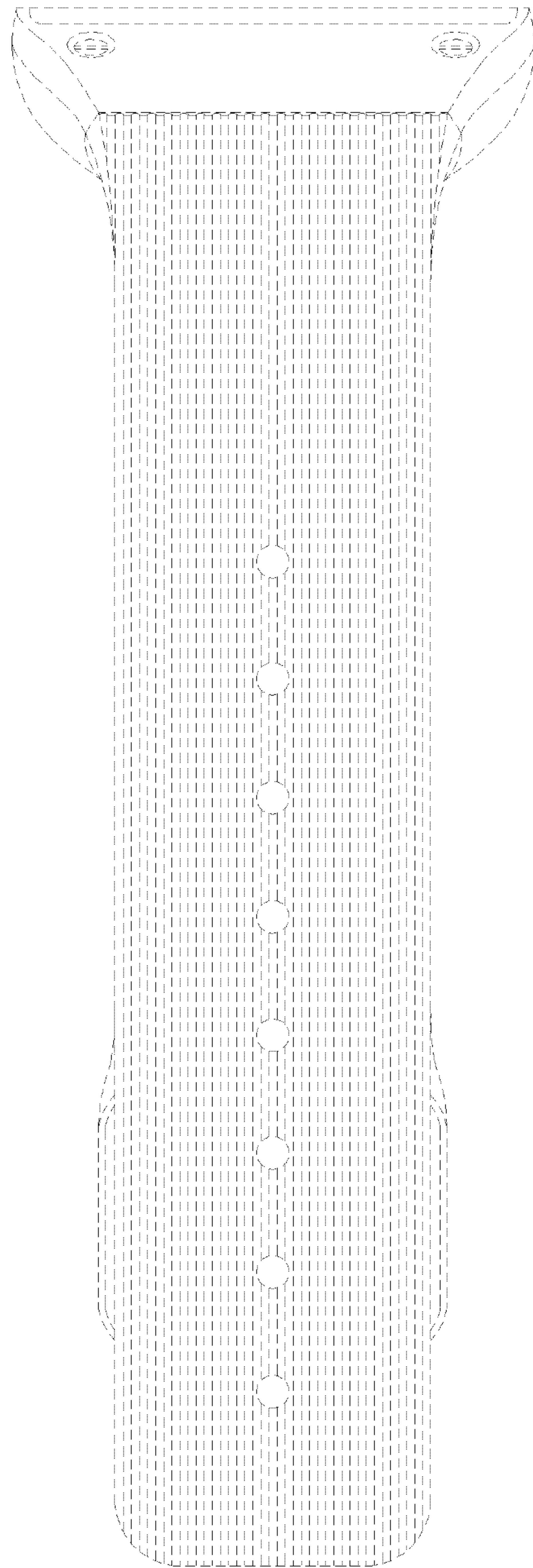


**FIG. 6**





**FIG. 7**



**FIG. 8**

