



US00D734323S

(12) **United States Design Patent**
Takizawa et al.

(10) **Patent No.:** **US D734,323 S**
(45) **Date of Patent:** **** Jul. 14, 2015**

(54) **PERSONAL COMPUTER**

(71) Applicant: **FUJITSU LIMITED**, Kawasaki (JP)

(72) Inventors: **Tomohiro Takizawa**, Chigasaki (JP);
Takashi Teshima, Tokyo (JP)

(73) Assignee: **FUJITSU LIMITED**, Kawasaki (JP)

(**) Term: **14 Years**

(21) Appl. No.: **29/485,701**

(22) Filed: **Mar. 21, 2014**

(30) **Foreign Application Priority Data**

Sep. 27, 2013 (JP) 2013-022638

(51) **LOC (10) Cl.** **14-02**

(52) **U.S. Cl.**
USPC **D14/316**

(58) **Field of Classification Search**

USPC D14/315-327; D18/1, 2, 7, 11;
235/145 A, 145 R; 341/22, 23; 345/104,
345/156, 168, 169, 173; 361/679.08,
361/679.09, 679.11, 679.26, 679.27
CPC G06F 1/16; G06F 1/1616; H01R 35/02;
H03M 11/00; G09B 13/04; H03K 17/94
See application file for complete search history.

(56) **References Cited**

U.S. PATENT DOCUMENTS

6,714,403 B2 * 3/2004 Furuki et al. 361/679.09
6,847,520 B2 * 1/2005 Hashimoto 361/679.01

(Continued)

Primary Examiner — Freda S Nunn

(74) *Attorney, Agent, or Firm* — Staas & Halsey LLP

(57) **CLAIM**

The ornamental design for a personal computer, as shown and described.

DESCRIPTION

FIG. 1 is a perspective view of front, bottom and right side of a personal computer showing our new design;

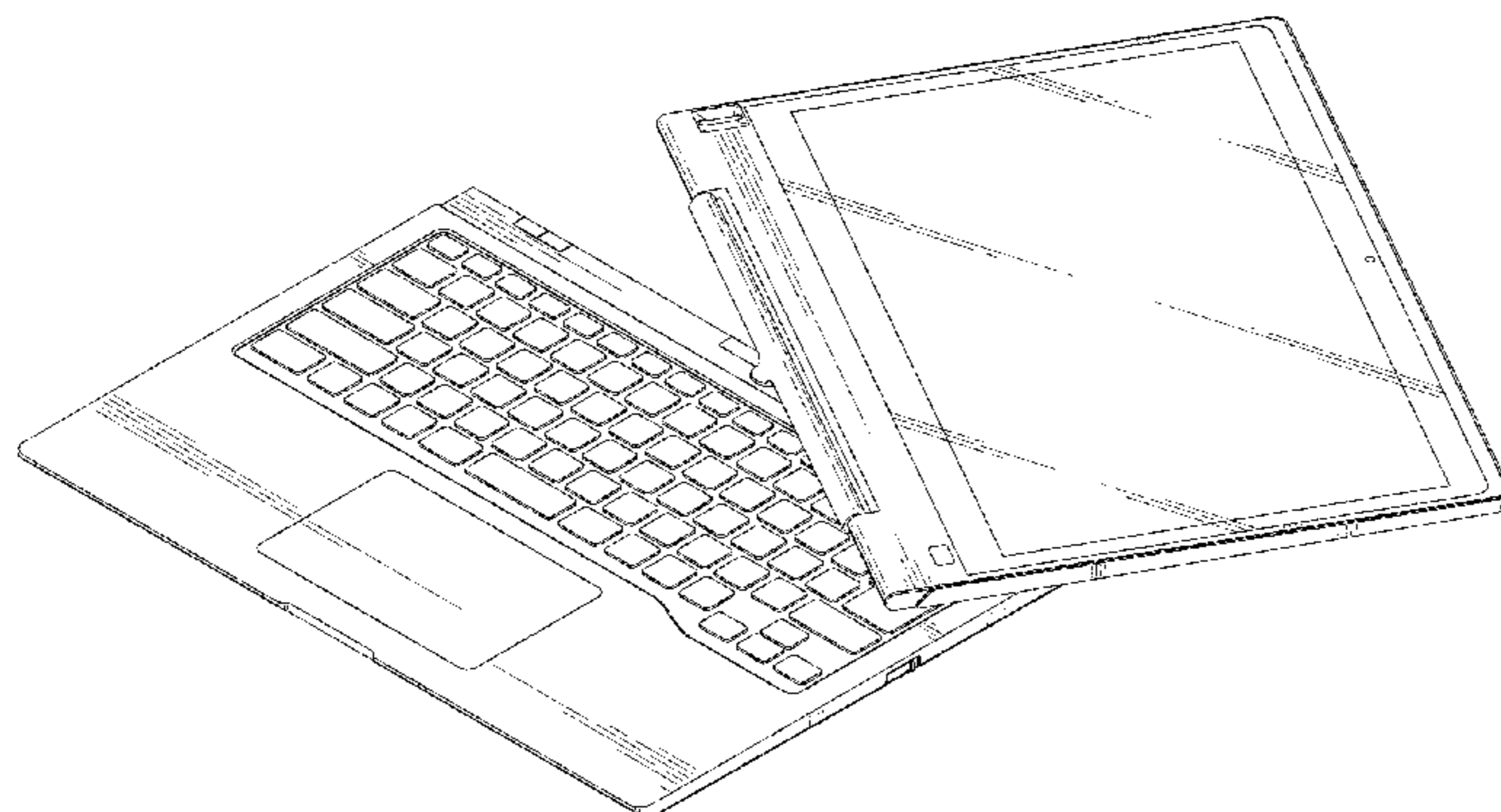


FIG. 2 is a front view thereof;

FIG. 3 is a rear view thereof;

FIG. 4 is a left side view thereof;

FIG. 5 is a right side view thereof;

FIG. 6 is a top view thereof;

FIG. 7 is a bottom view thereof;

FIG. 8 is a perspective view thereof showing a state that a cover is opened;

FIG. 9 is a front view thereof showing a state that a cover is opened;

FIG. 10 is a rear view thereof showing a state that a cover is opened;

FIG. 11 is a left side view thereof showing a state that a cover is opened;

FIG. 12 is a right side view thereof showing a state that a cover is opened;

FIG. 13 is a top view thereof showing a state that a cover is opened;

FIG. 14 is a bottom view thereof showing a state that a cover is opened;

FIG. 15 is a perspective view thereof showing an intermediate state that a cover is opened;

FIG. 16 is a perspective view thereof showing an intermediate state that a cover is turned around after the cover is opened;

FIG. 17 is a perspective view thereof showing a state that a cover is turned around and closed after the cover is opened;

FIG. 18 is a front view thereof showing a state that a cover is turned around and closed after the cover is opened;

FIG. 19 is a rear view thereof showing a state that a cover is turned around and closed after the cover is opened;

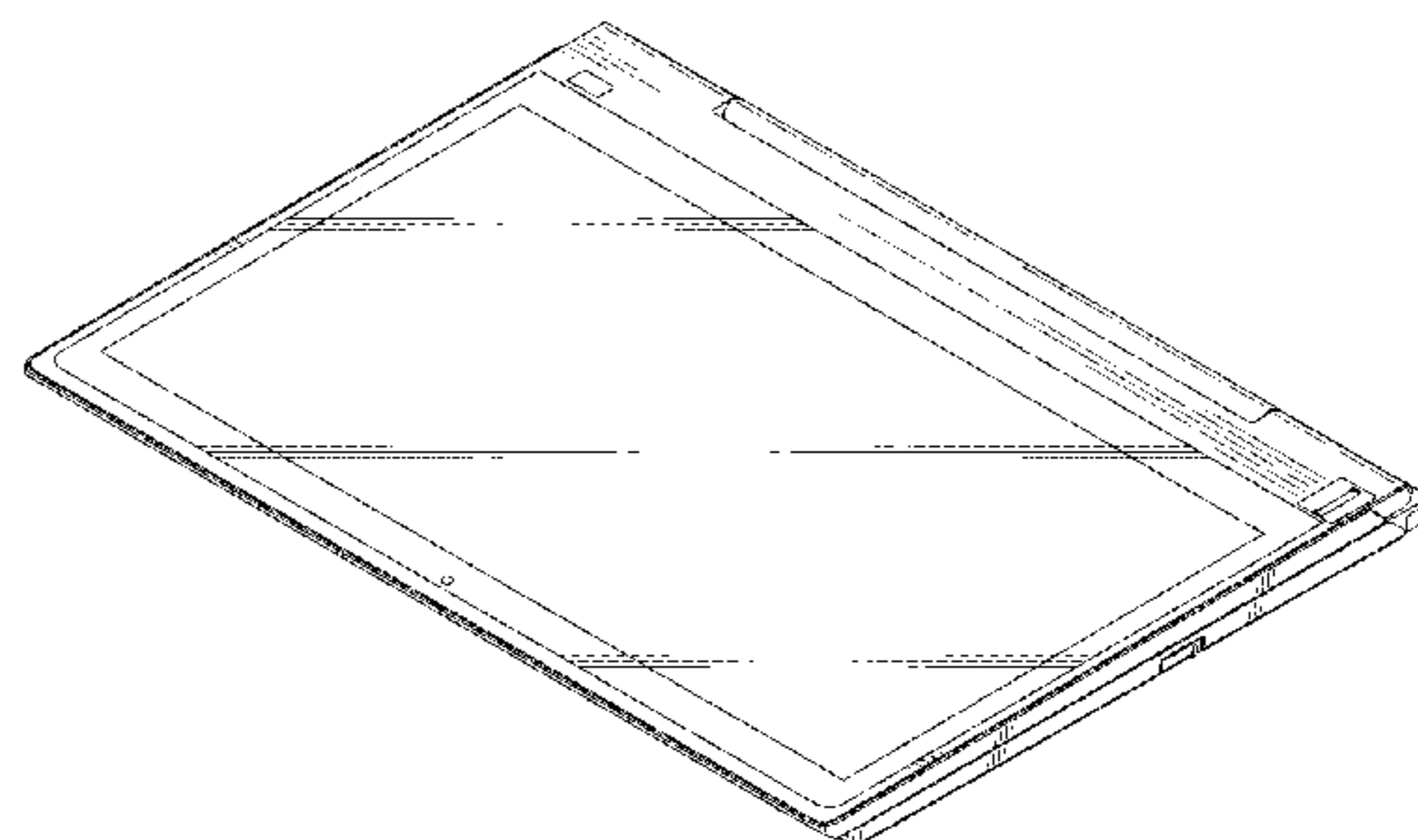
FIG. 20 is a left side view thereof showing a state that a cover is turned around and closed after the cover is opened;

FIG. 21 is a right side view thereof showing a state that a cover is turned around and closed after the cover is opened;

FIG. 22 is a top view thereof showing a state that a cover is turned around and closed after the cover is opened; and,

FIG. 23 is a bottom view thereof showing a state that a cover is turned around and closed after the cover is opened.

1 Claim, 13 Drawing Sheets



(56)

References Cited

U.S. PATENT DOCUMENTS

| | | | | | |
|----------------|-------------------|-----------------|---------------------|---------|---------------------|
| | D606,535 S * | 12/2009 | Morooka et al. | D14/316 | |
| | D643,426 S * | 8/2011 | A. B. | D14/316 | |
| | 2004/0083577 A1 * | 5/2004 | Lu et al. | 16/367 | |
| 6,870,740 B2 * | 3/2005 | Hsu et al. | 361/732 | | * cited by examiner |

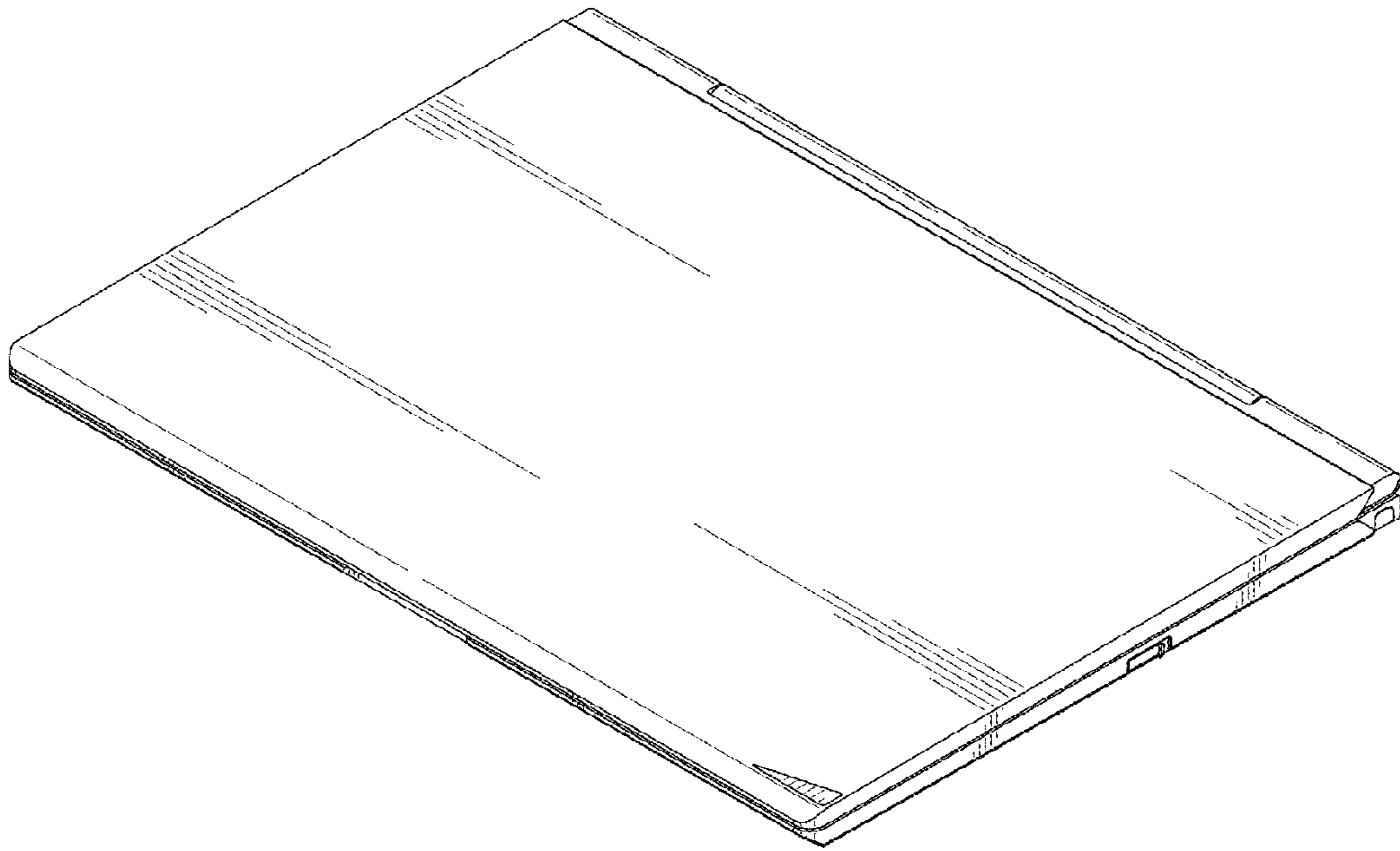


FIG. 1

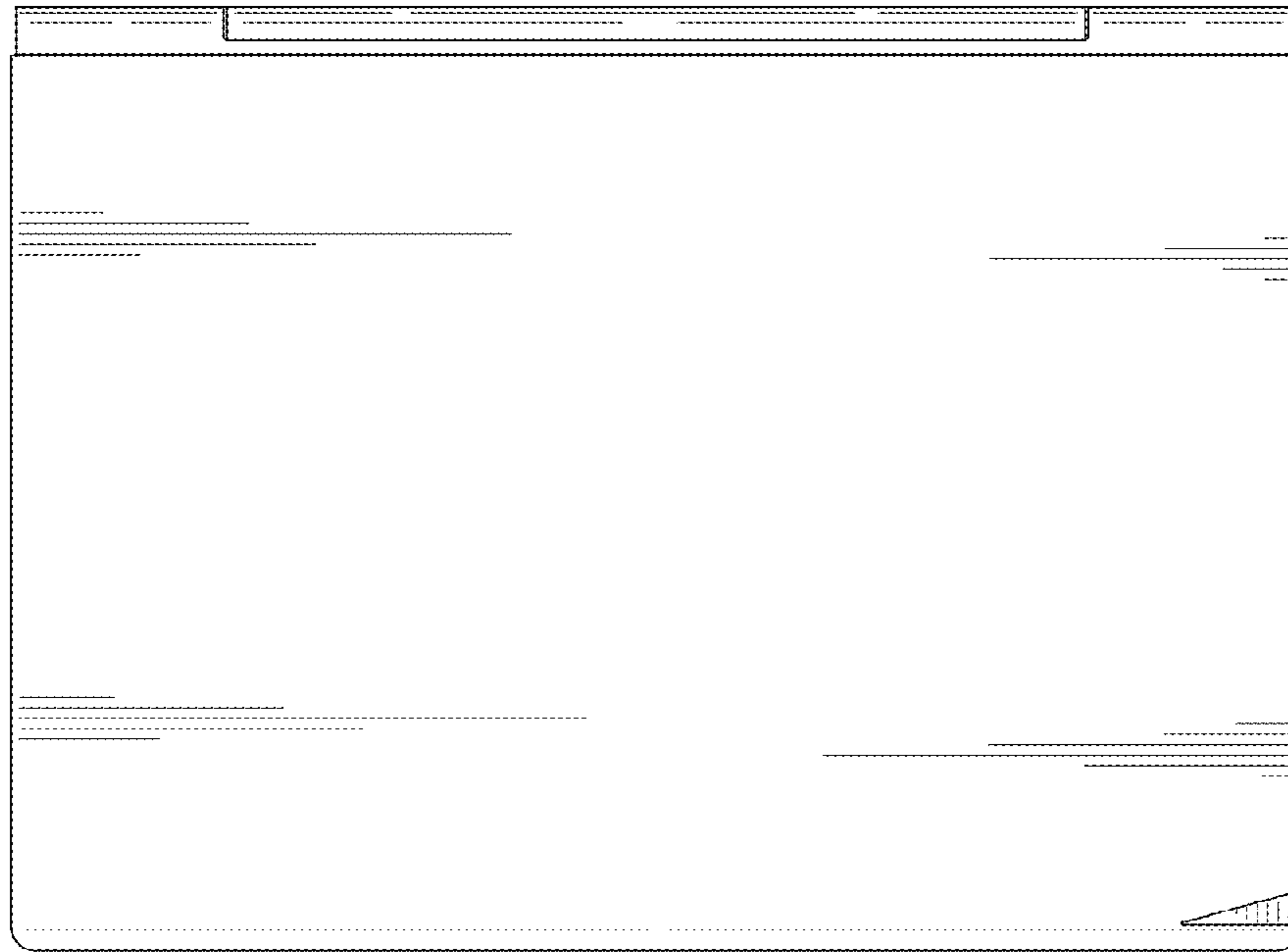


FIG. 2

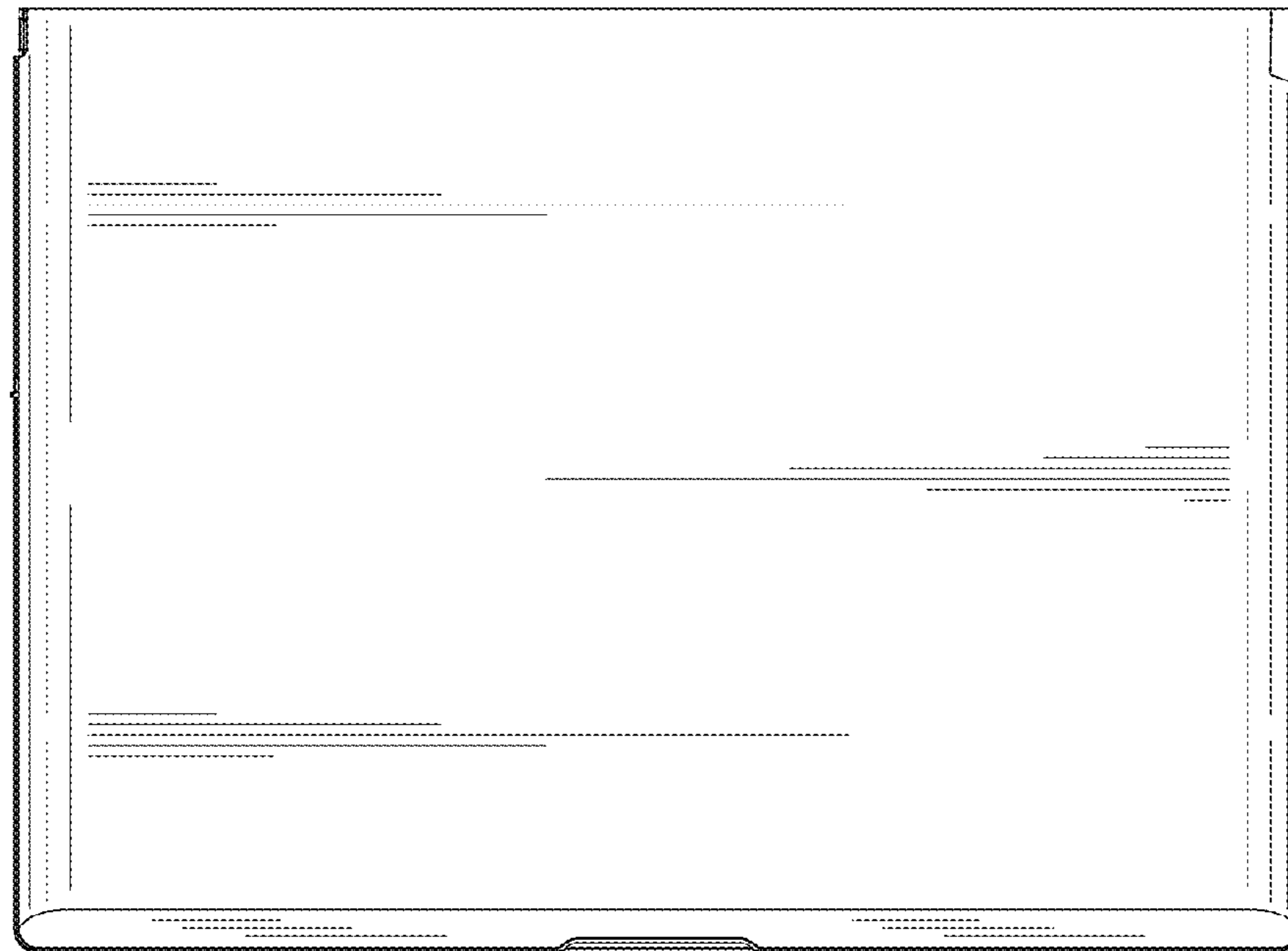


FIG. 3

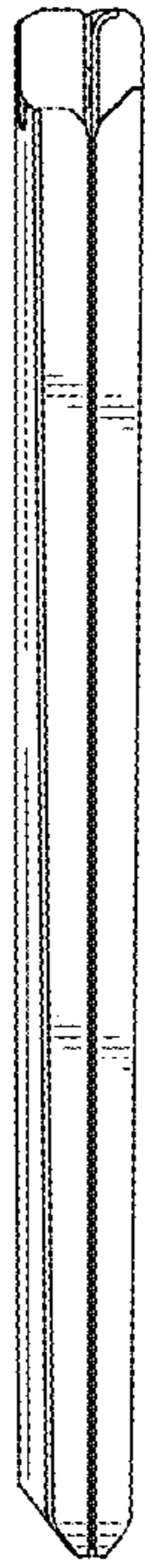


FIG. 4



FIG. 5



FIG. 6



FIG. 7

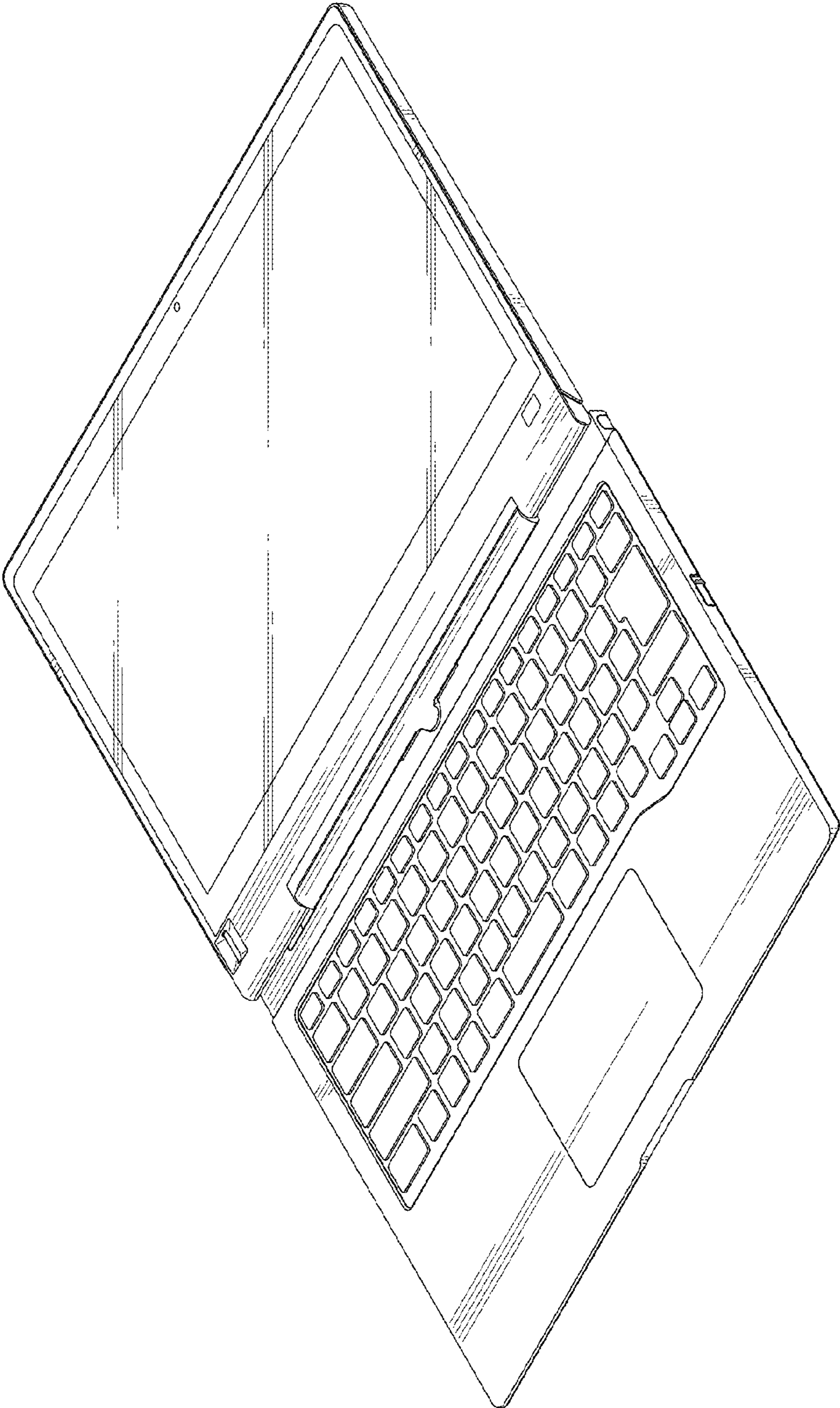


FIG. 8

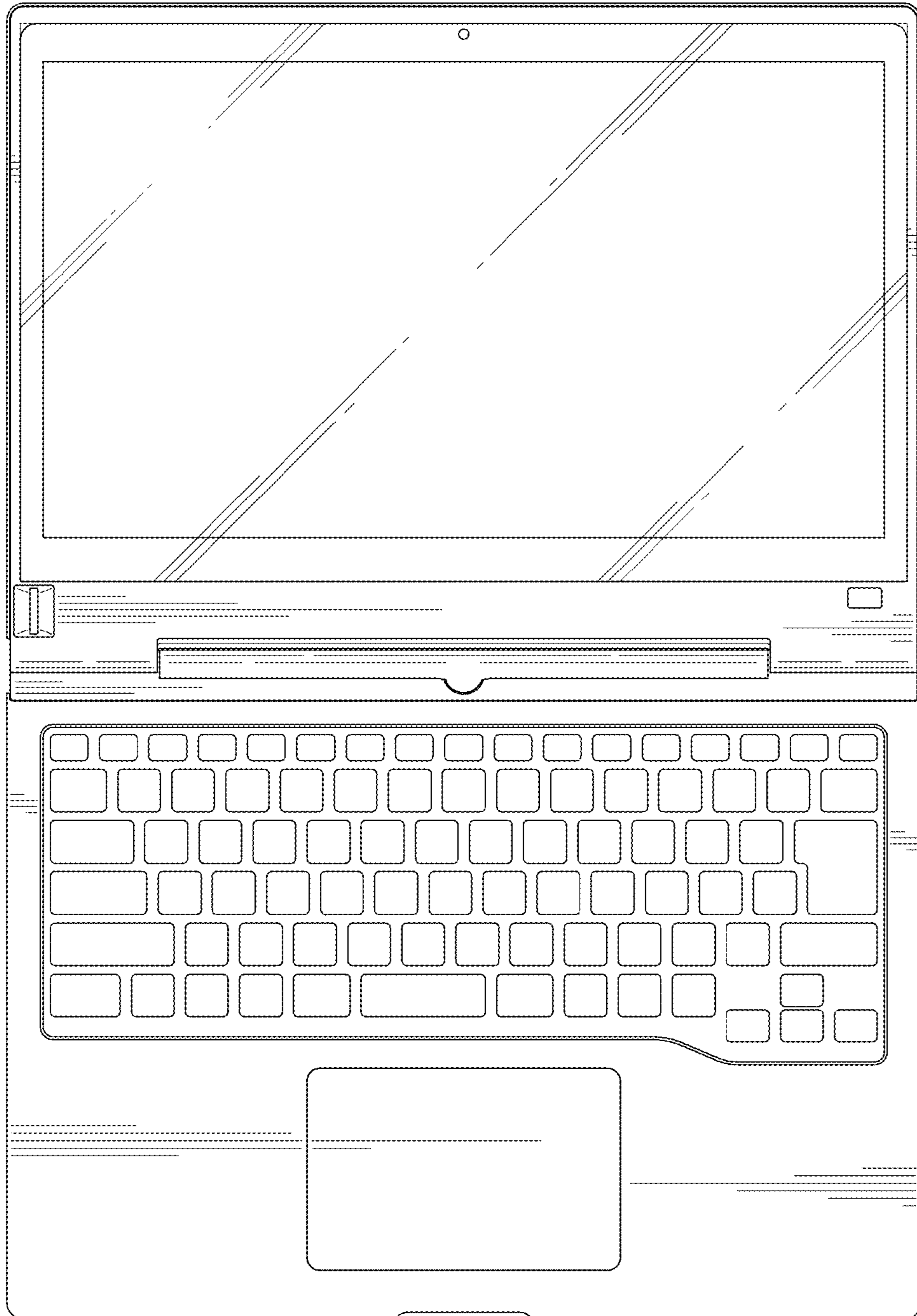


FIG. 9



FIG. 10

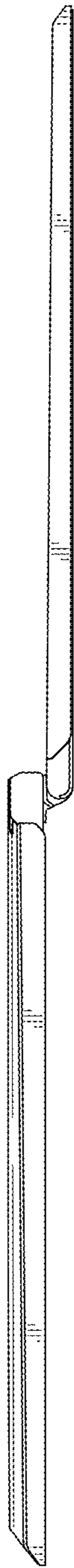


FIG. 11



FIG. 12

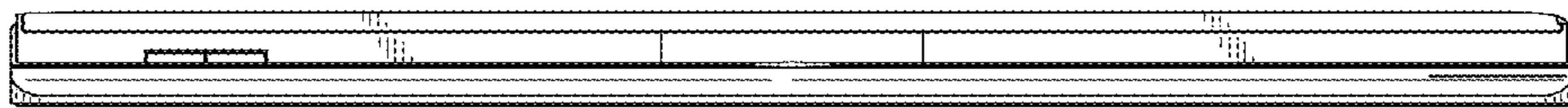


FIG. 13

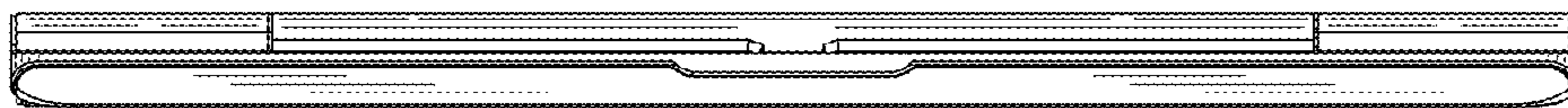


FIG. 14

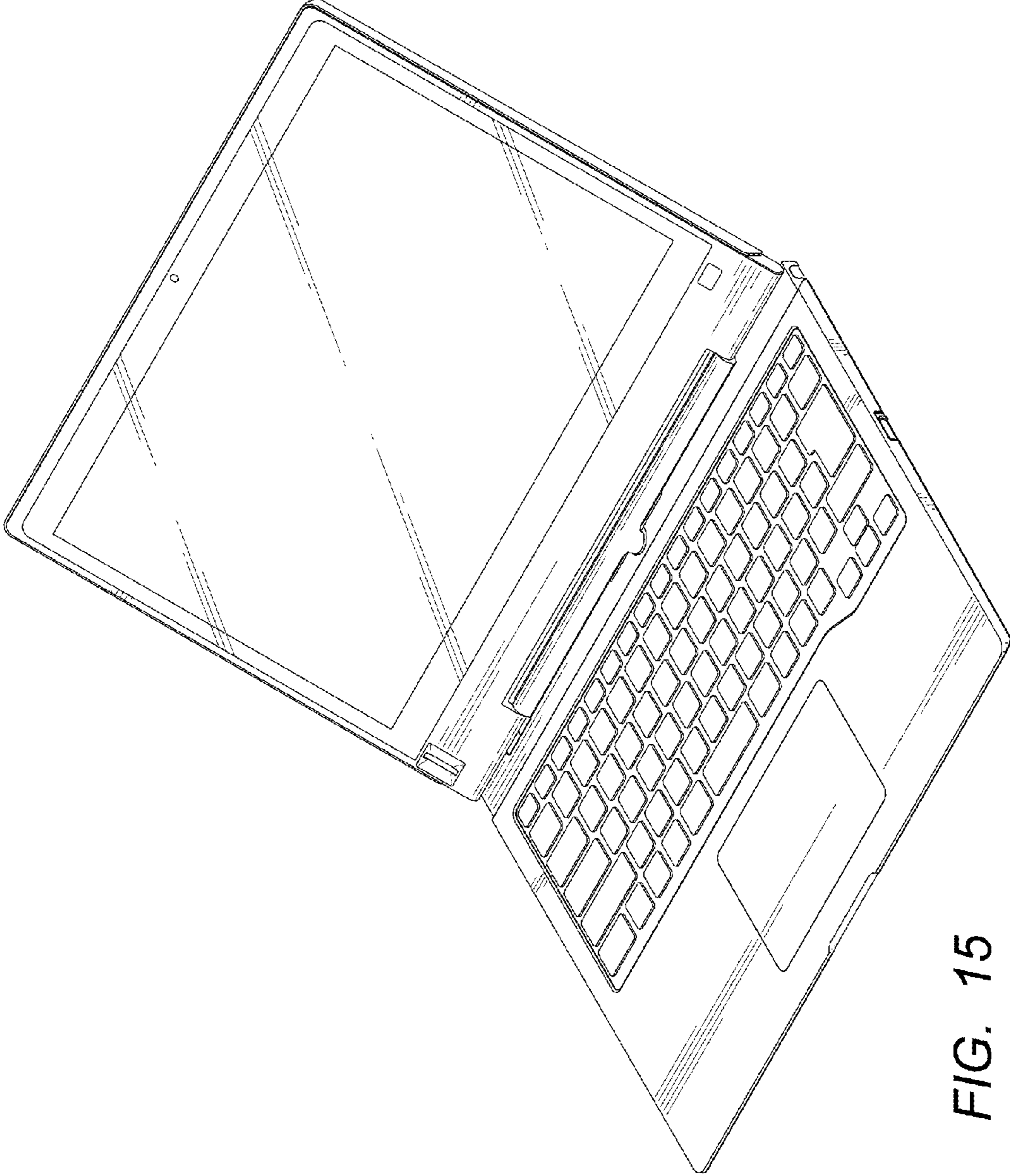


FIG. 15

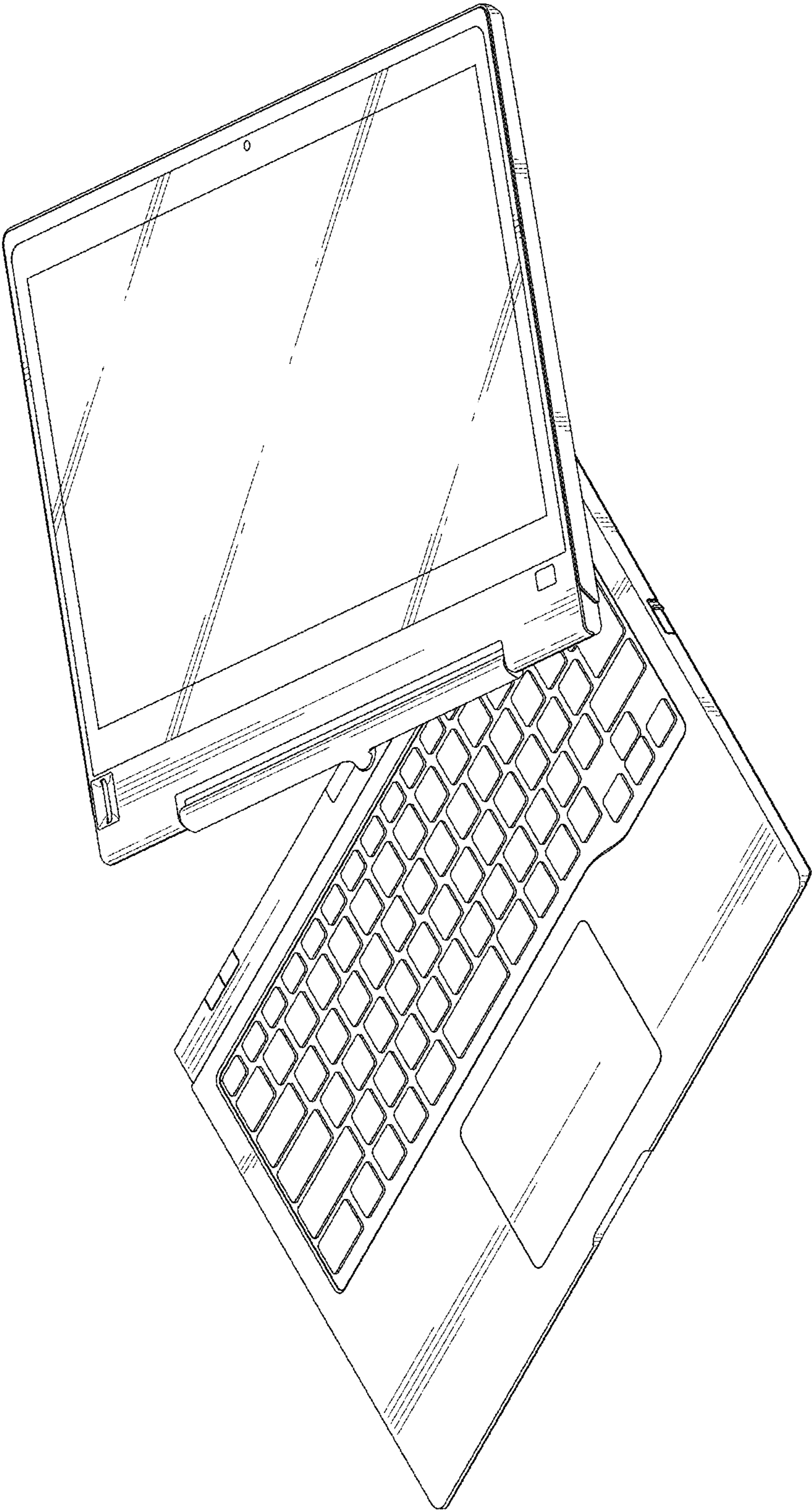


FIG. 16

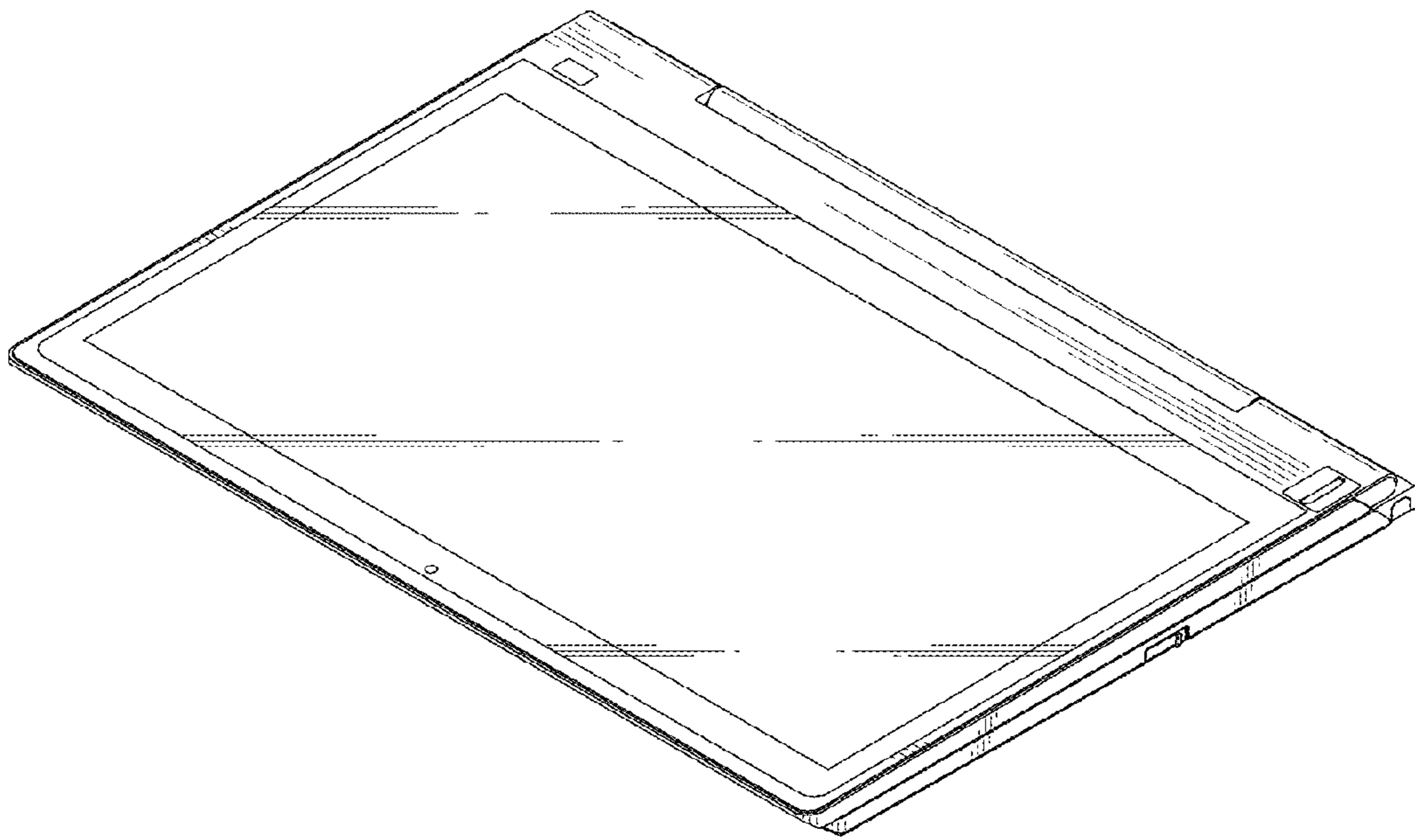


FIG. 17

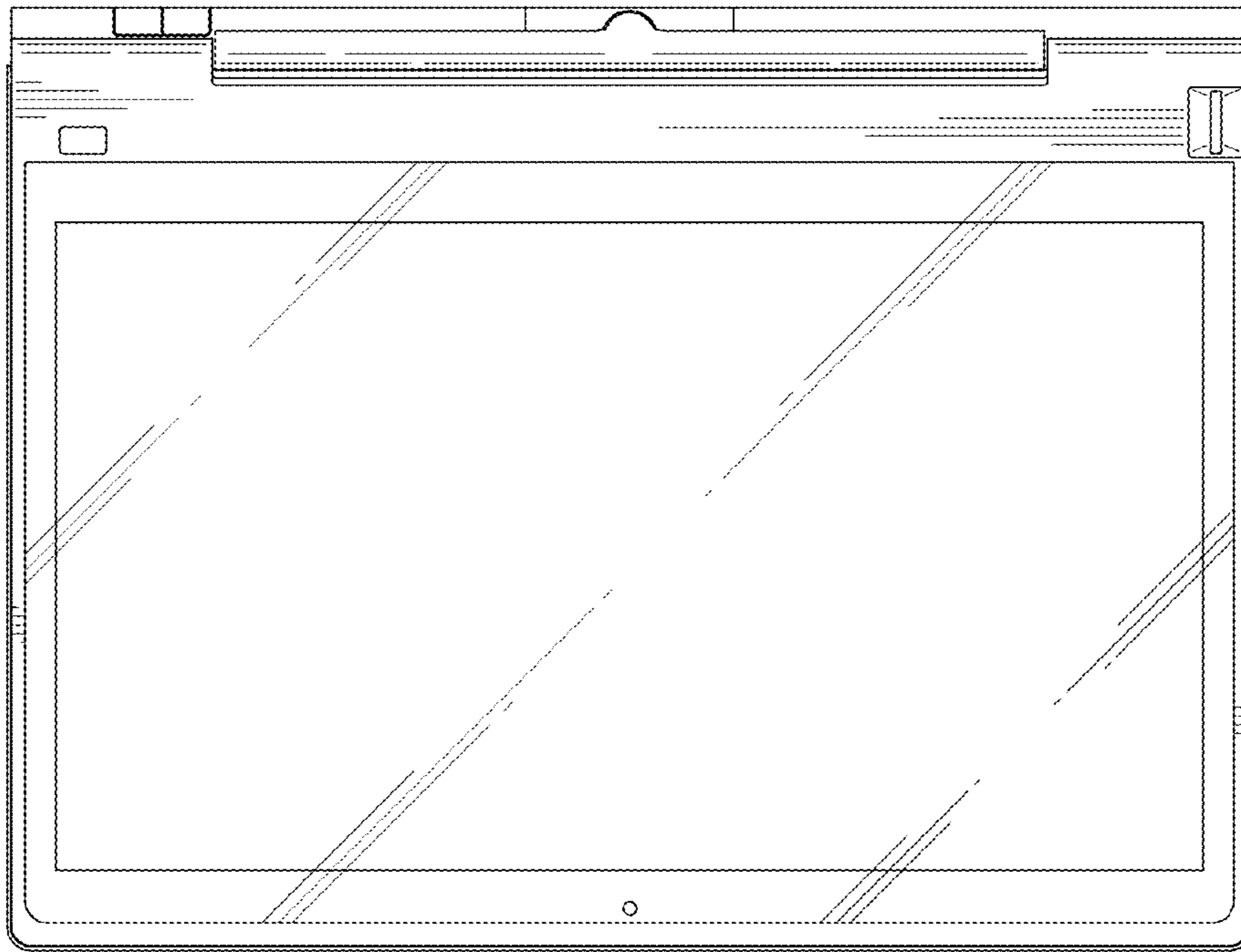


FIG. 18

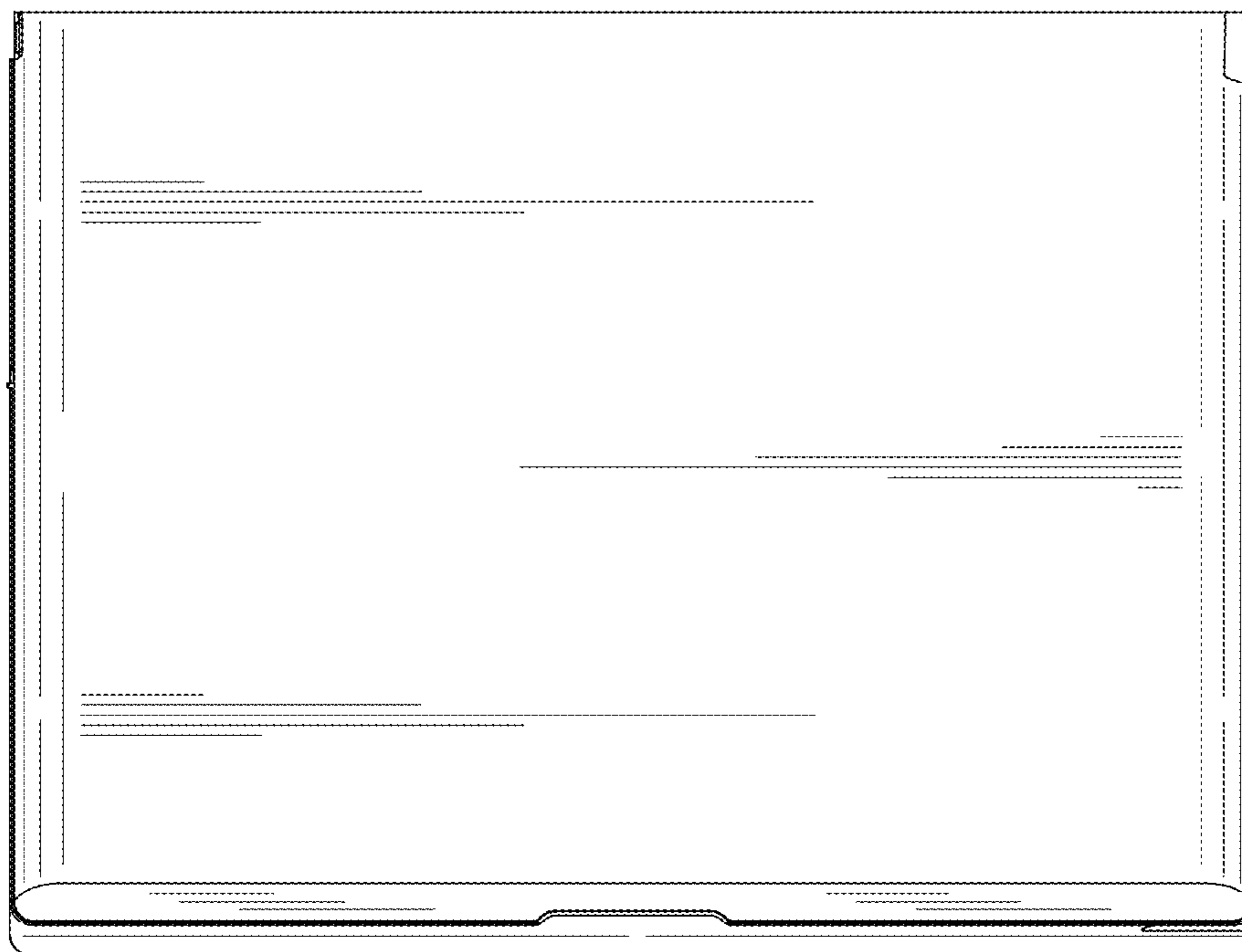


FIG. 19

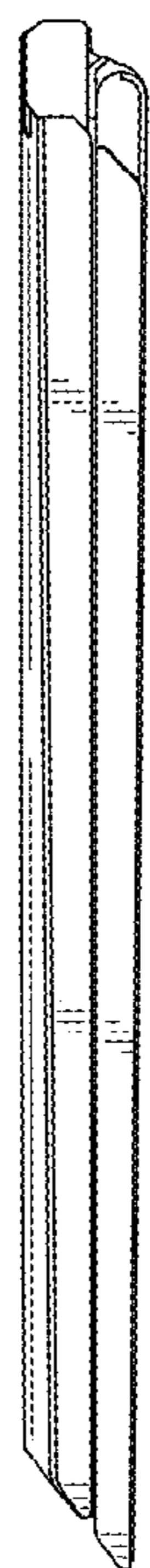


FIG. 20

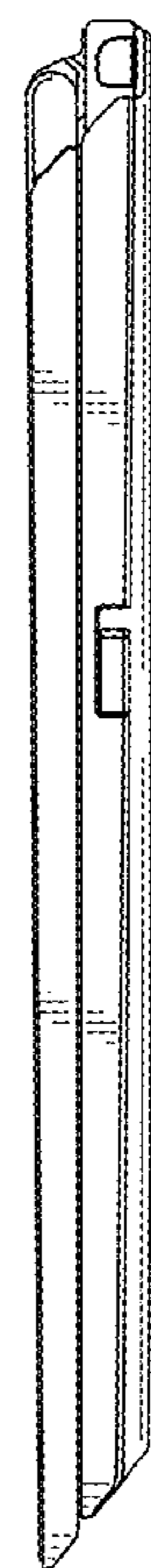


FIG. 21

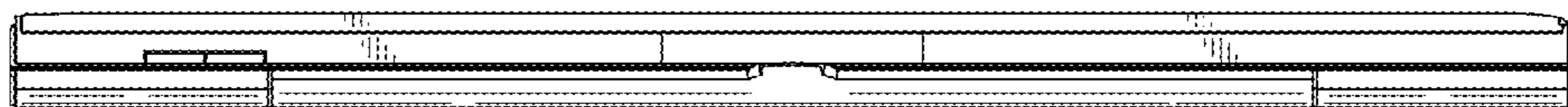


FIG. 22

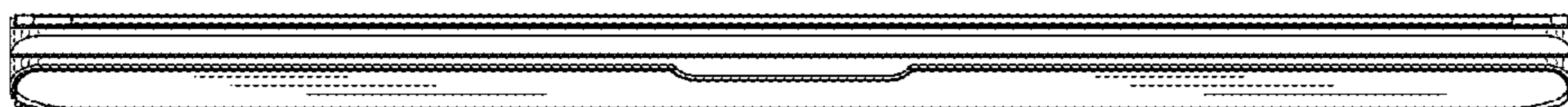


FIG. 23