



US00D734321S

(12) **United States Design Patent**
Wang et al.

(10) **Patent No.:** **US D734,321 S**
(45) **Date of Patent:** **** Jul. 14, 2015**

(54) **NOTEBOOK COMPUTER**

(71) Applicant: **Quanta Computer Inc.**, Taoyuan Shien (TW)

(72) Inventors: **Chu-Fu Wang**, New Taipei (TW);
Chang-Ta Miao, Taipei (TW);
Gwo-Chyuan Chen, Taipei (TW)

(73) Assignee: **QUANTA COMPUTER INC.**, Guishan Dist., Taoyuan (TW)

(**) Term: **14 Years**

(21) Appl. No.: **29/487,036**

(22) Filed: **Apr. 4, 2014**

(30) **Foreign Application Priority Data**

Feb. 13, 2014 (TW) 103300795

(51) **LOC (10) Cl.** **14-02**

(52) **U.S. Cl.**
USPC **D14/315**

(58) **Field of Classification Search**
USPC D14/315-327; D18/1, 2, 7, 11;
235/145 A, 145 R; 341/22, 23; 345/104,
345/156, 168, 169, 173; 361/679.08,
361/679.09, 679.11, 679.26, 679.27
CPC G06F 1/16; G06F 1/1616; H01R 35/02;
H03M 11/00; G09B 13/04; H03K 17/94

See application file for complete search history.

(56) **References Cited**

U.S. PATENT DOCUMENTS

6,067,224 A * 5/2000 Nobuchi 361/679.27
D467,915 S * 12/2002 Wada D14/322
D606,990 S * 12/2009 Chen et al. D14/327
D627,342 S * 11/2010 Lin et al. D14/315
2011/0255727 A1 * 10/2011 Azuchi 381/333

* cited by examiner

Primary Examiner — Freda S Nunn

(74) *Attorney, Agent, or Firm* — Rabin & Berdo, P.C.

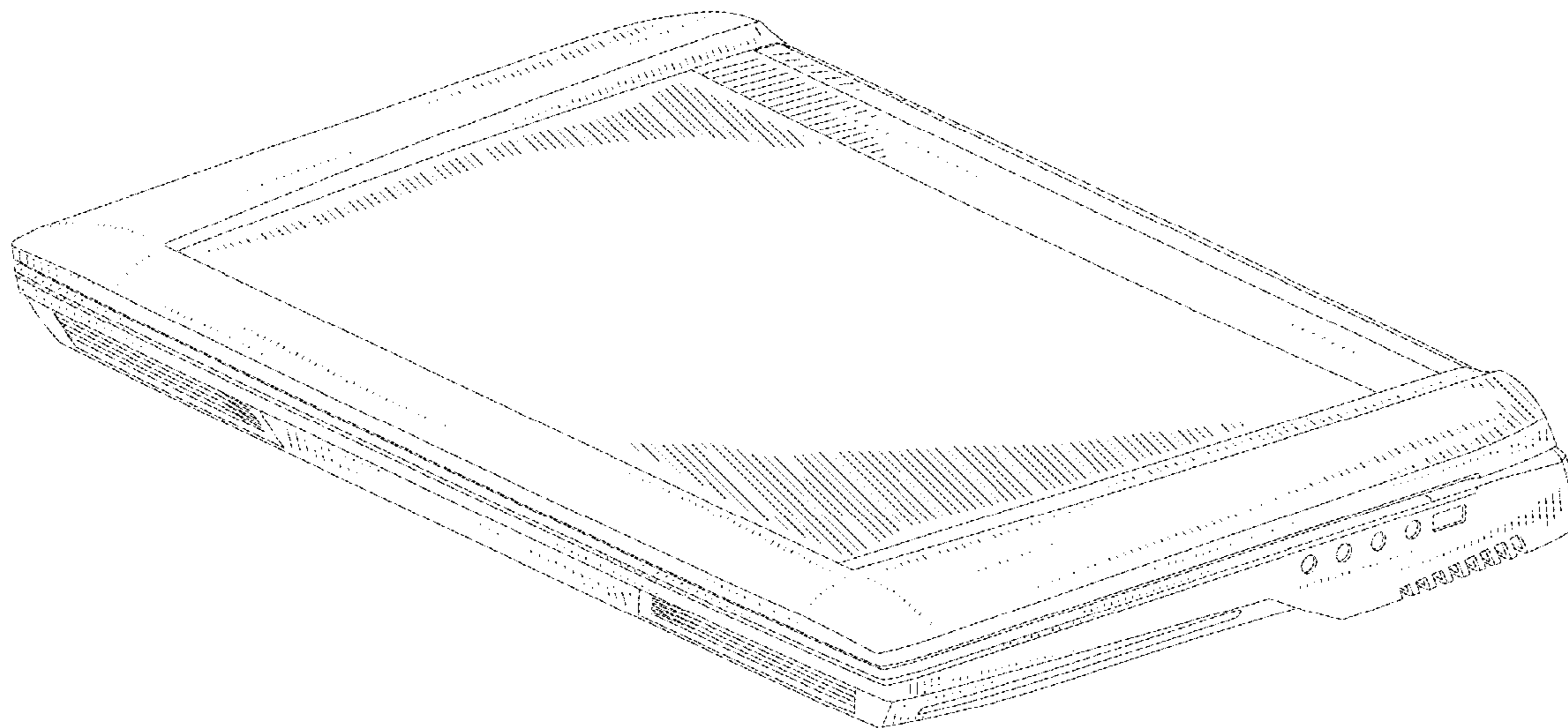
(57) **CLAIM**

The ornamental design for a notebook computer, as shown and described.

DESCRIPTION

FIG. 1 is a perspective view of a notebook computer showing our new design;
FIG. 2 is a front view thereof;
FIG. 3 is a rear view thereof;
FIG. 4 is a left side view thereof;
FIG. 5 is a right side view thereof;
FIG. 6 is a top view thereof; and,
FIG. 7 is a bottom view thereof.

1 Claim, 7 Drawing Sheets



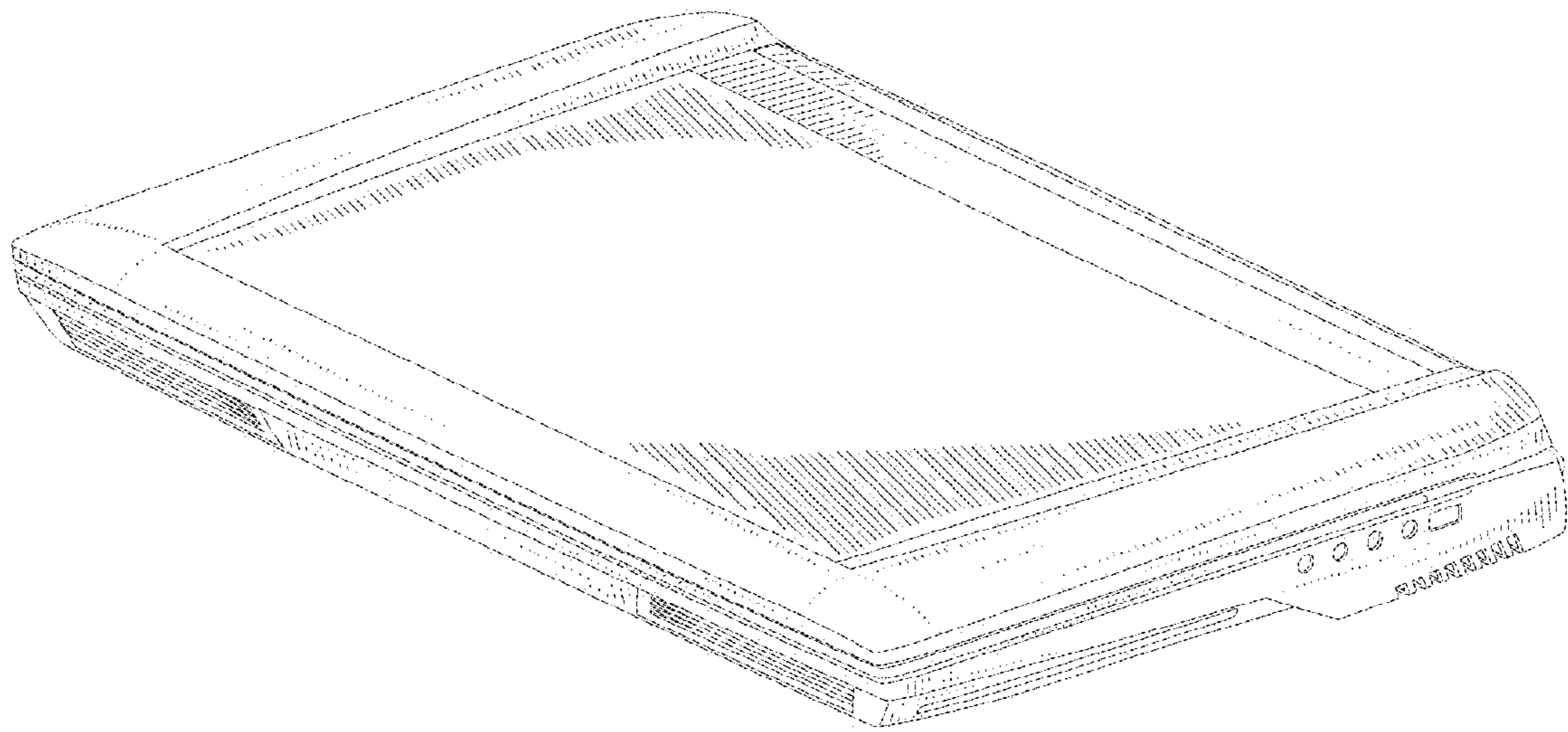


Fig. 1

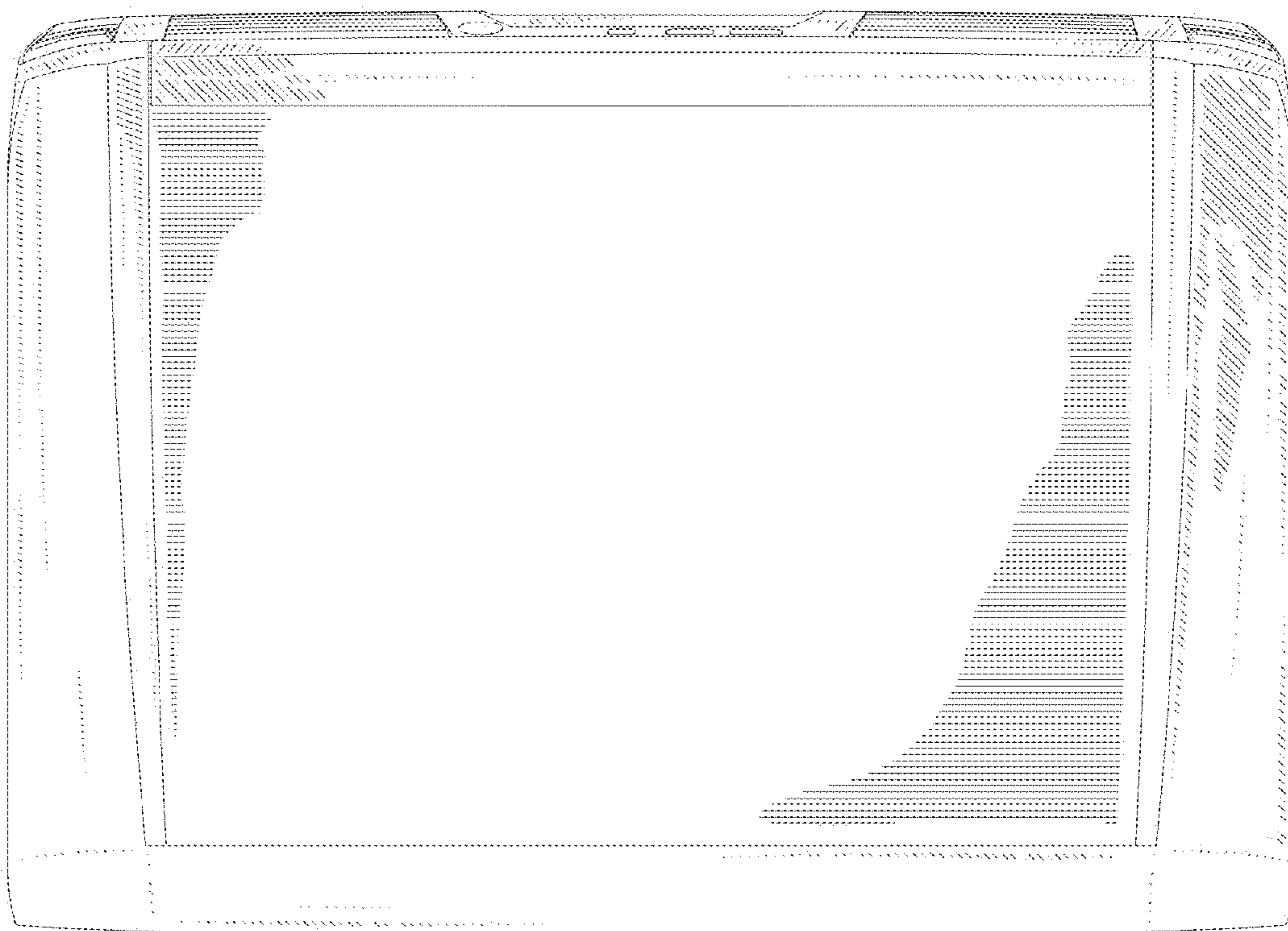


Fig. 2

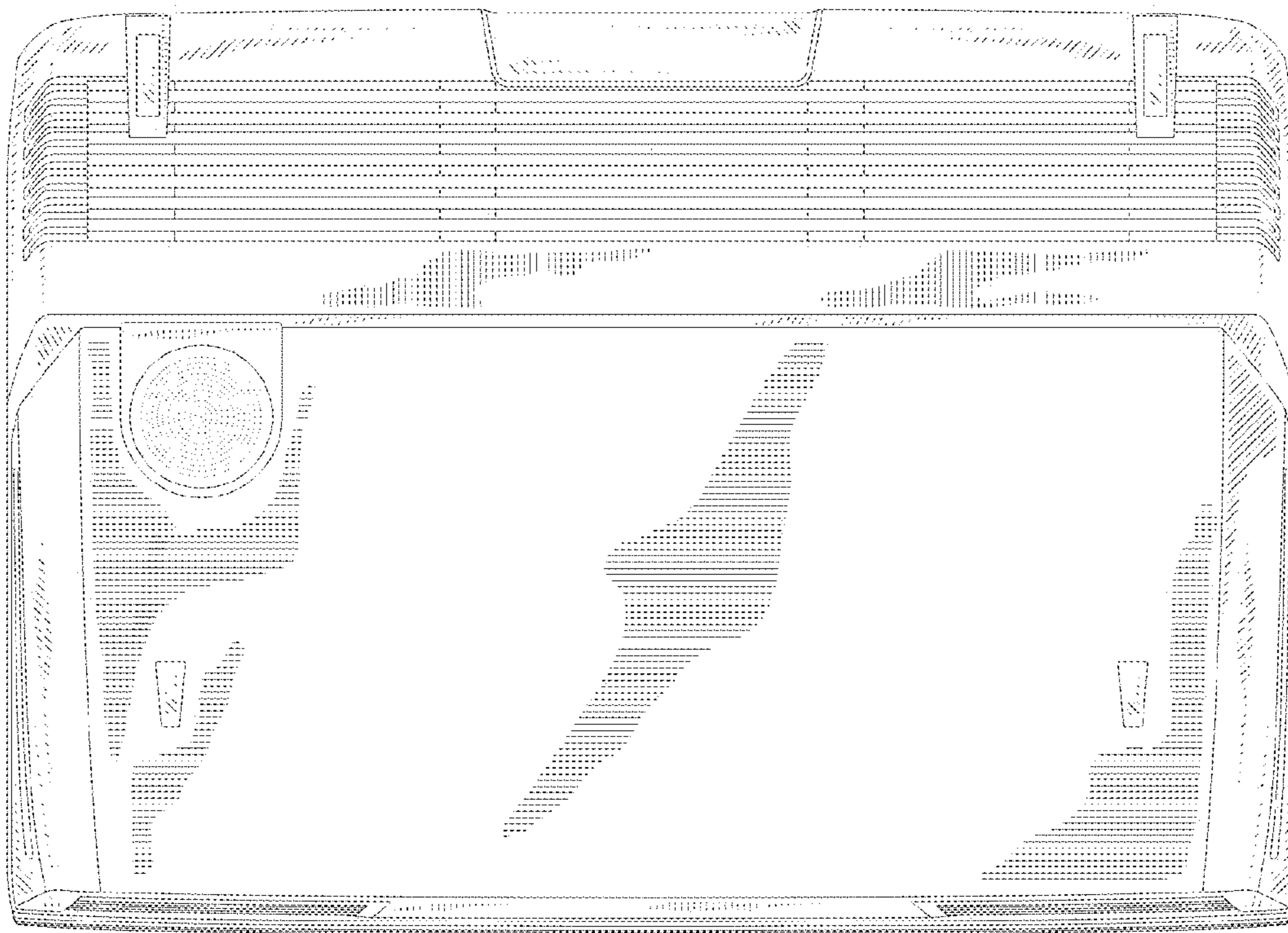


Fig. 3

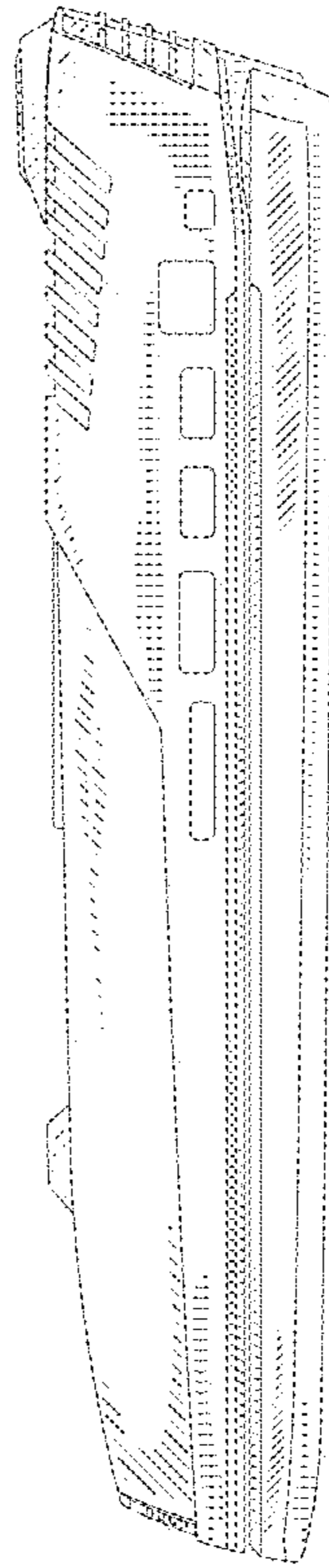


Fig. 4

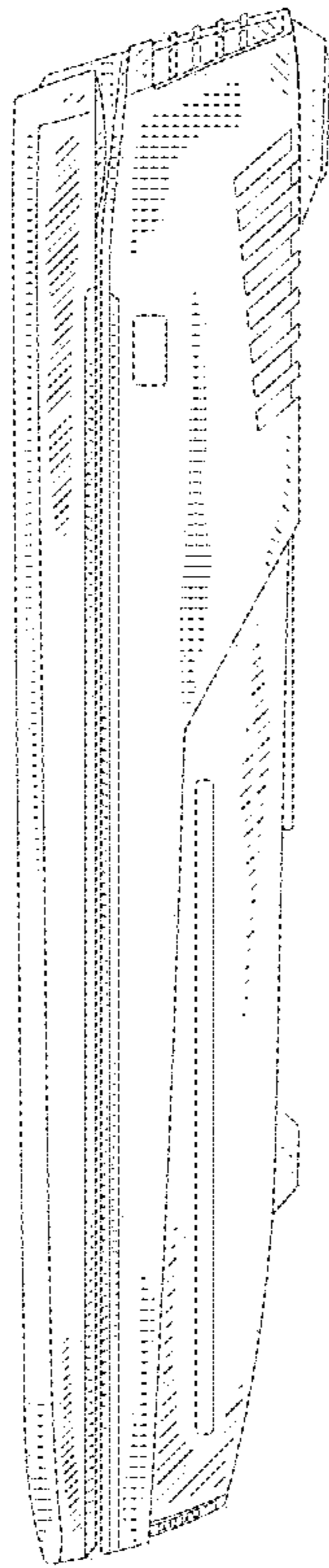


Fig. 5

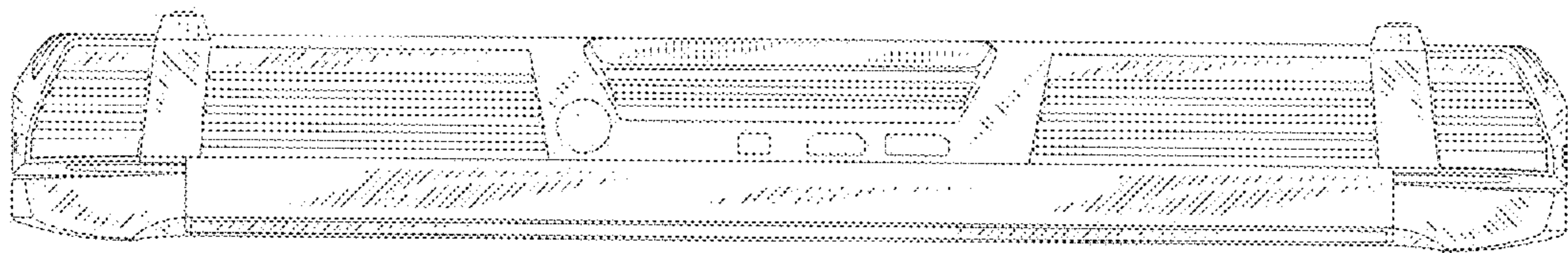


Fig. 6

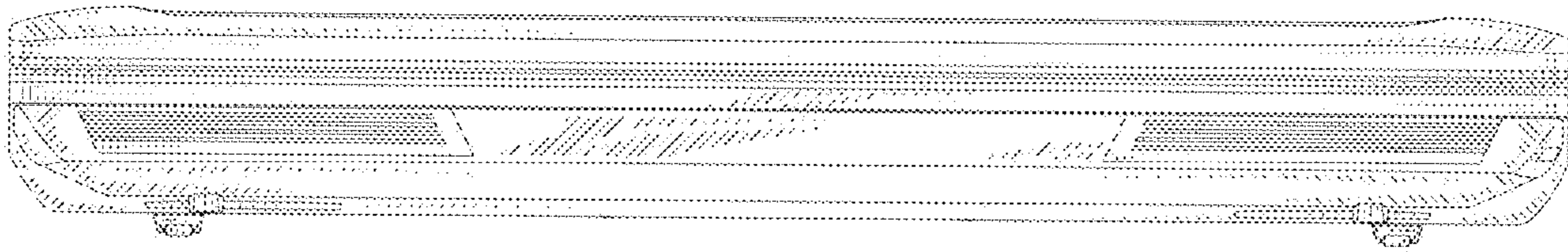


Fig. 7