



US00D734316S

(12) **United States Design Patent**  
**Alvarez**

(10) **Patent No.:** **US D734,316 S**  
(45) **Date of Patent:** **\*\* Jul. 14, 2015**

- (54) **PUBLIC ACCESS COMPUTER AND CELL PHONE COMMUNICATION SYSTEM**
- (71) Applicant: **Ruali Alvarez**, Elizabeth, NJ (US)
- (72) Inventor: **Ruali Alvarez**, Elizabeth, NJ (US)
- (\*\*) Term: **14 Years**
- (21) Appl. No.: **29/455,848**
- (22) Filed: **May 24, 2013**
- (51) **LOC (10) Cl.** ..... **14-02**
- (52) **U.S. Cl.**  
USPC ..... **D14/307**
- (58) **Field of Classification Search**  
USPC ..... D14/302, 303, 304, 305, 306, 307, 900,  
D14/902; D13/163, 162; 187/395, 396;  
361/679.02, 679.21; D20/10; D21/332,  
D21/325; D10/108  
CPC ..... G06Q 20/18; G06Q 20/10; G06Q 20/123;  
G06Q 20/20; G06Q 30/02; G06Q 30/06;  
A47F 9/047  
See application file for complete search history.

- D671,595 S \* 11/2012 O'Hara ..... D19/52
- D695,285 S \* 12/2013 Smith et al. .... D14/307
- D707,674 S \* 6/2014 Daniel ..... D14/307
- D708,676 S \* 7/2014 Ballman et al. .... D21/369
- D717,784 S \* 11/2014 Collins et al. .... D14/307
- D721,696 S \* 1/2015 Birgeoglu ..... D14/307
- D723,538 S \* 3/2015 Catoe et al. .... D14/307

\* cited by examiner

*Primary Examiner* — Austin Murphy  
*Assistant Examiner* — Kendra L Hamilton  
(74) *Attorney, Agent, or Firm* — Melvin K. Silverman

(57) **CLAIM**  
The ornamental design for a public access computer and cell phone communication system, as shown and described herein.

**DESCRIPTION**

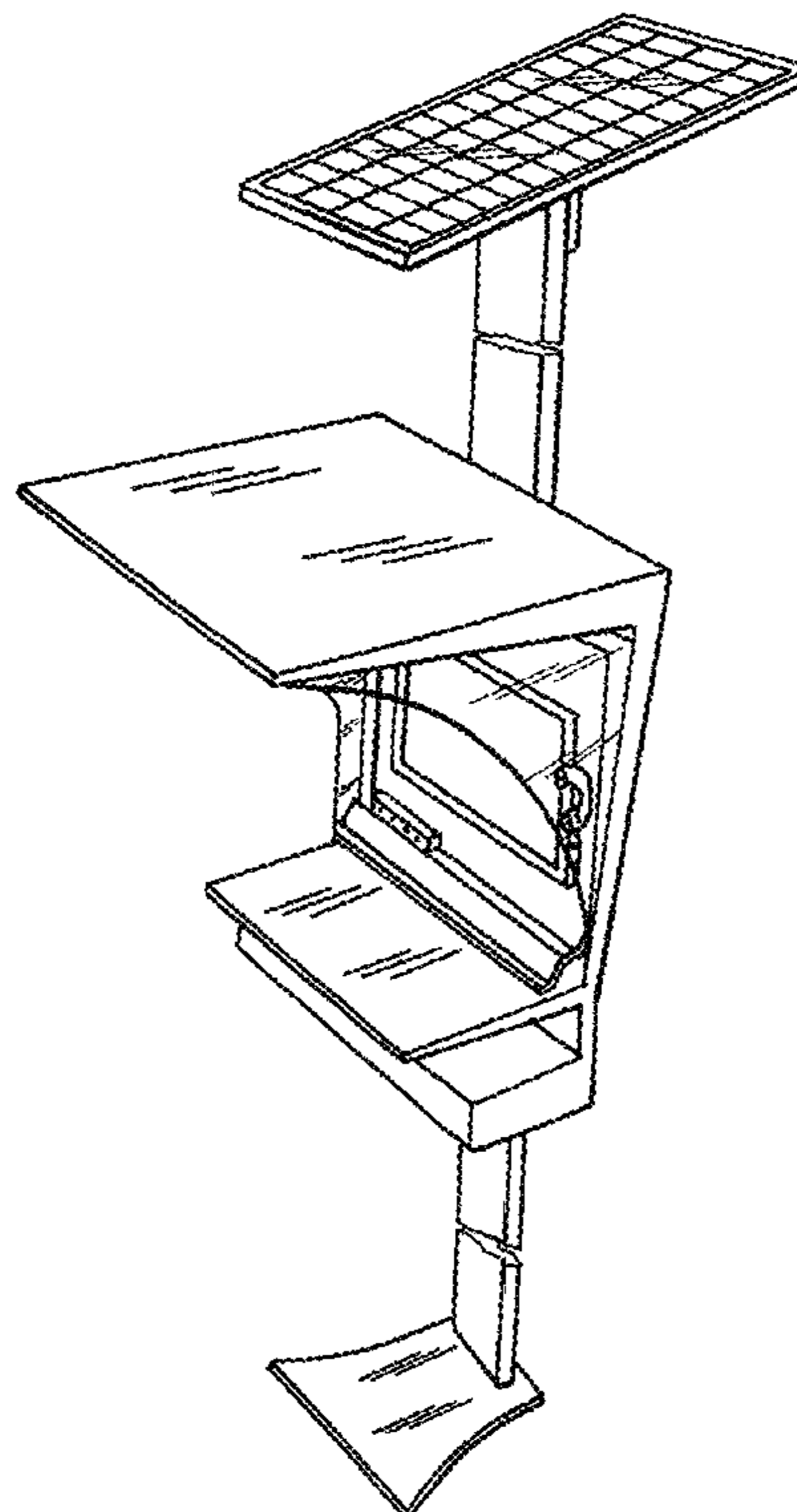
FIG. 1 is a perspective view of my inventive public access computer and cell phone communication system.  
FIG. 2 is a front elevational view thereof.  
FIG. 3 is a rear elevational view of the communication system.  
FIG. 4 is a top perspective view of my novel design.  
FIG. 5 is a side elevational view thereof; and,  
FIG. 6 is a view, similar to that of FIG. 5, however showing a variable position capacity of the solar panel array thereof.  
The broken away portions of the drawings indicate the appearance of any portion of the article between the break lines and form no part of the claimed design.

**1 Claim, 6 Drawing Sheets**

(56) **References Cited**

**U.S. PATENT DOCUMENTS**

- D465,895 S \* 11/2002 Pfefferle et al. .... D34/19
- D518,480 S \* 4/2006 Zheng et al. .... D14/307
- D605,190 S \* 12/2009 Kuroda et al. .... D14/307
- D637,595 S \* 5/2011 Mizusugi ..... D14/307
- D653,422 S \* 1/2012 Rohan et al. .... D99/28
- D661,293 S \* 6/2012 Kuroda et al. .... D14/307



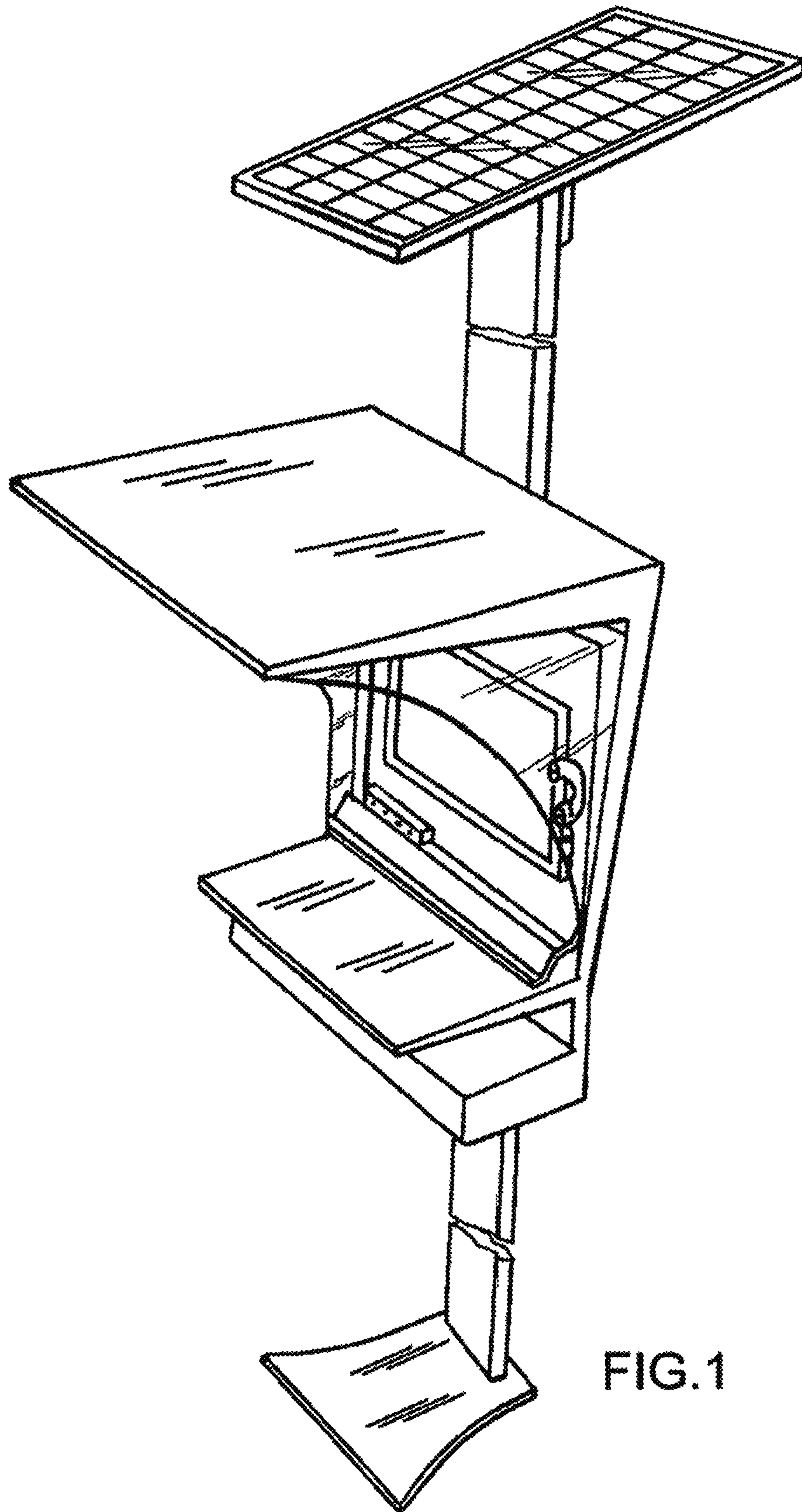


FIG.1

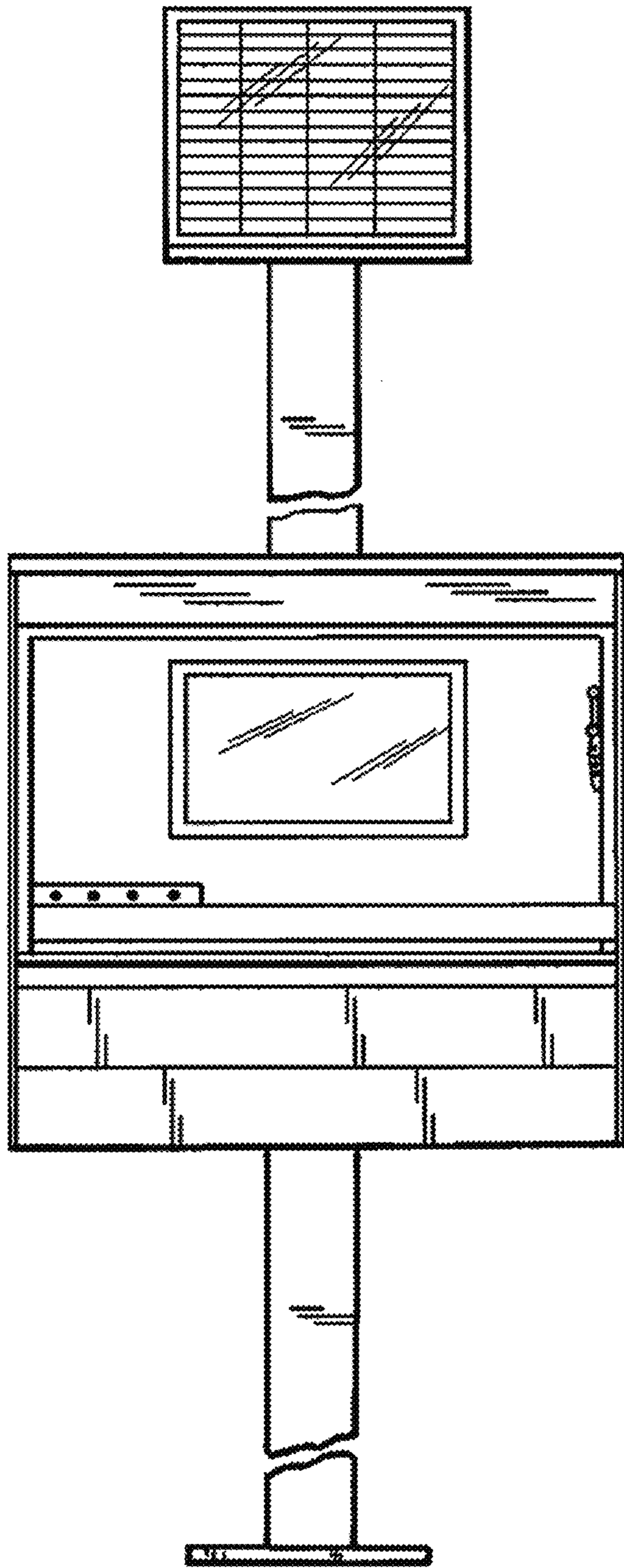


FIG.2

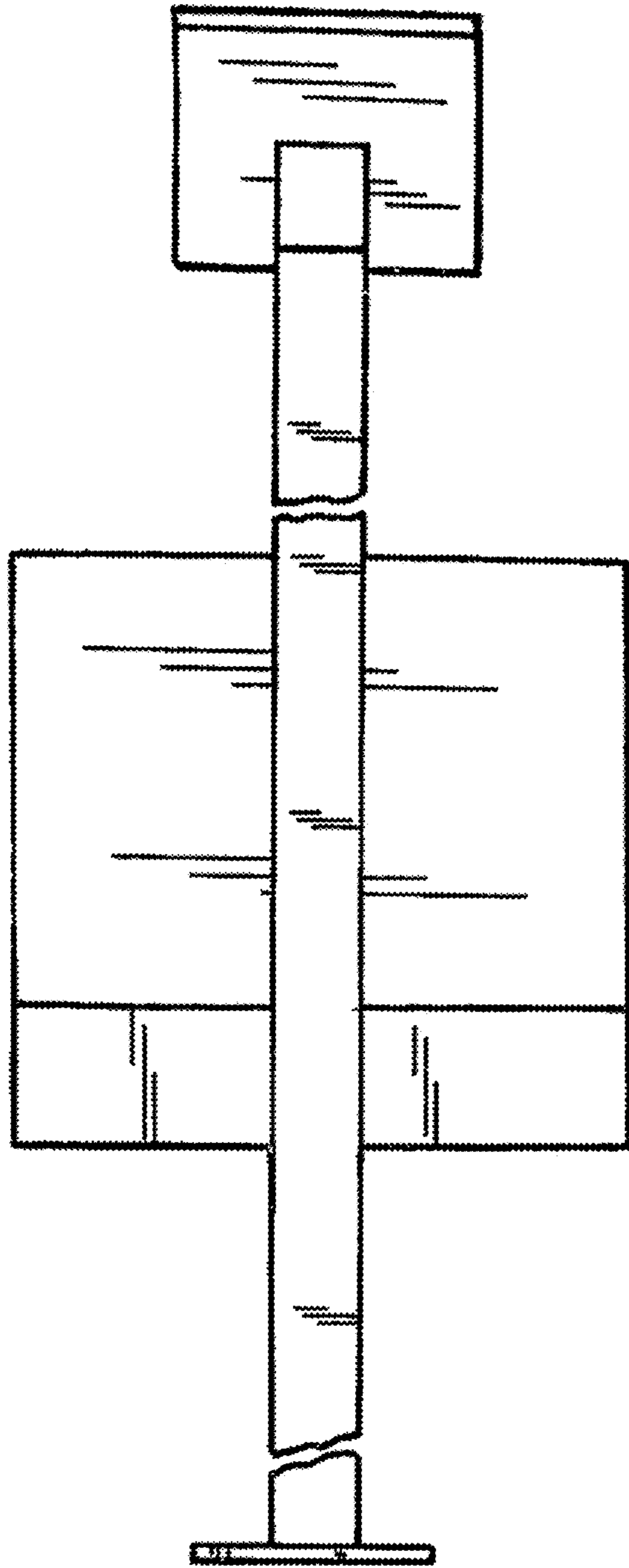


FIG. 3

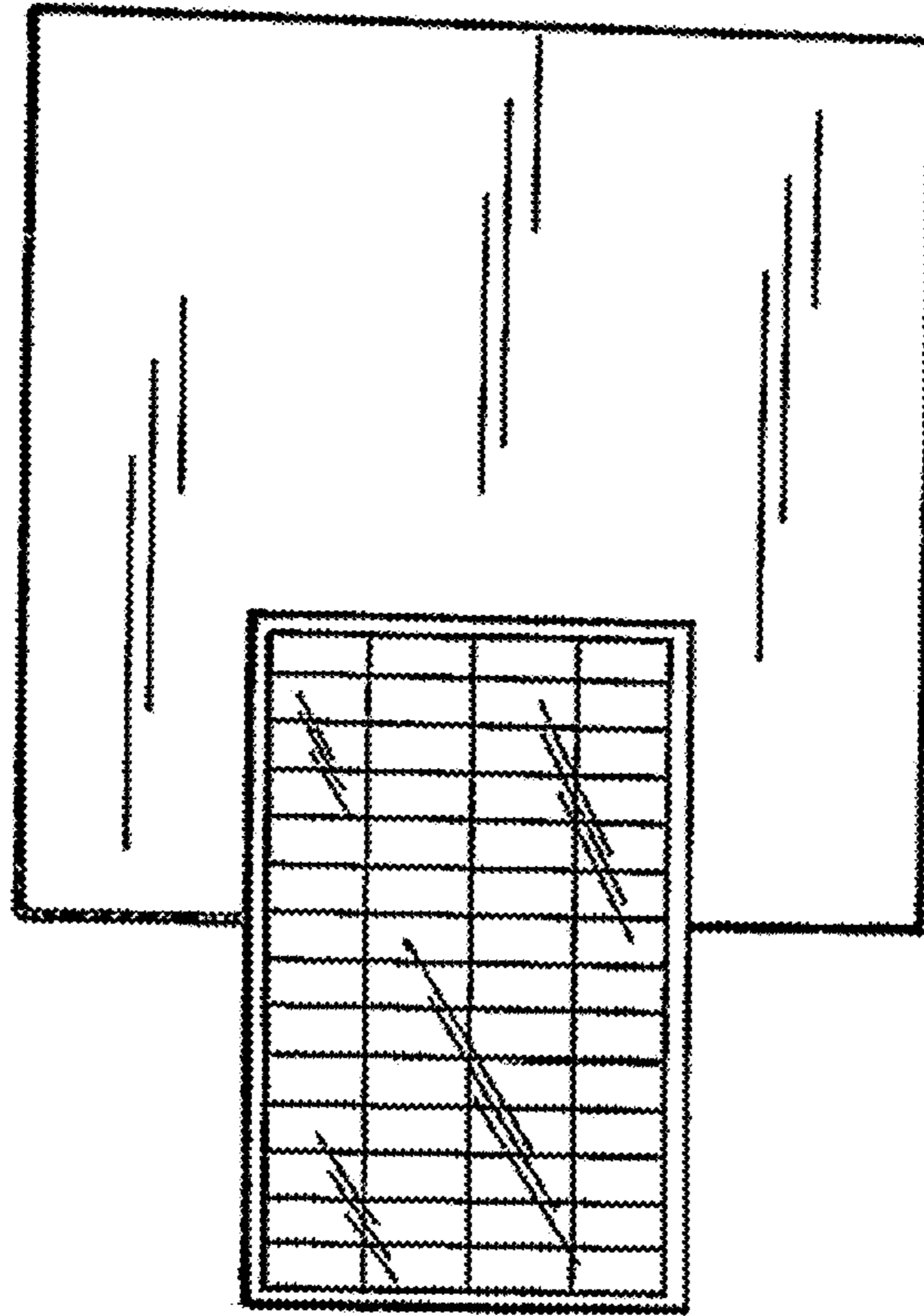


FIG. 4

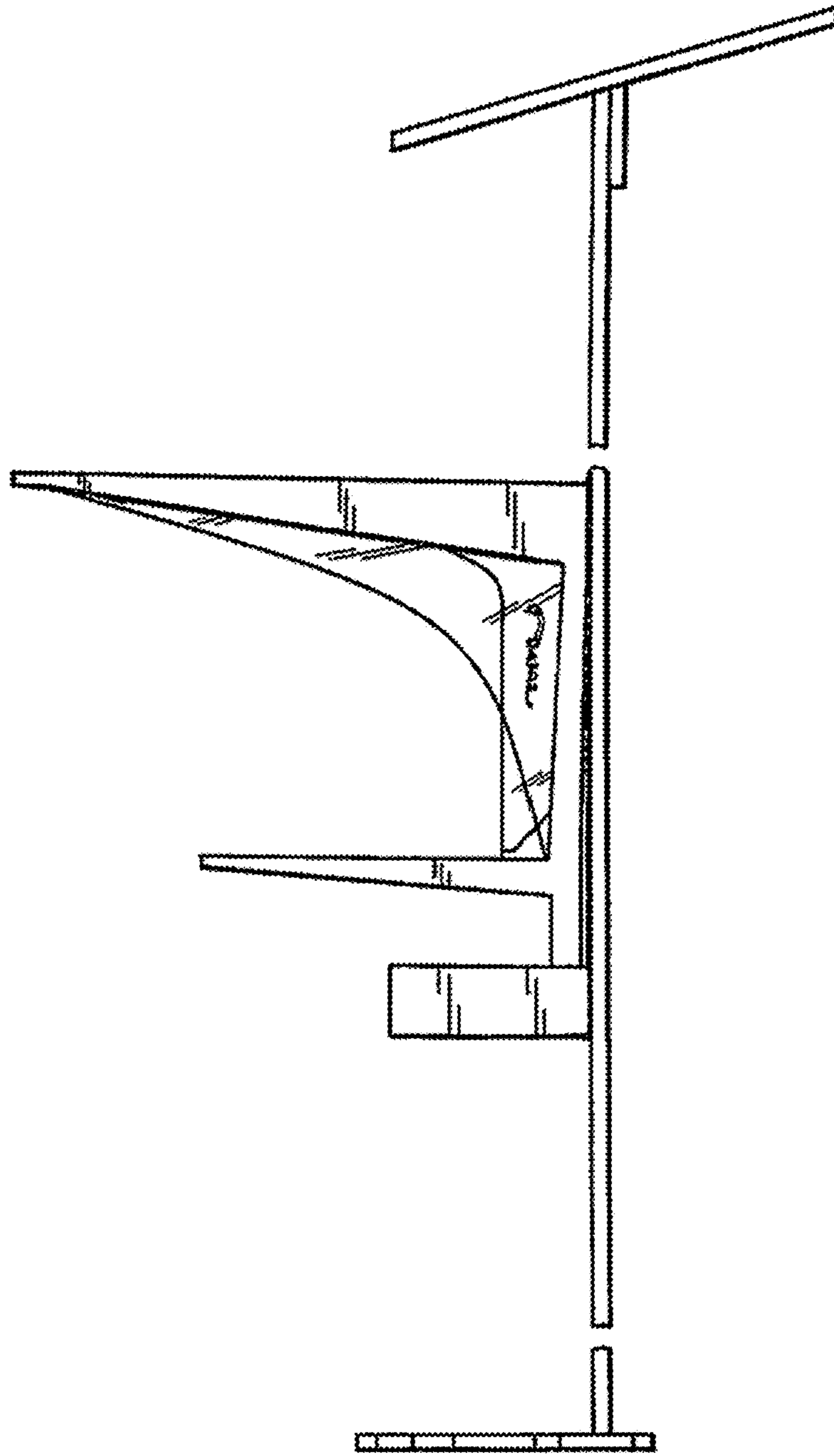


FIG. 5

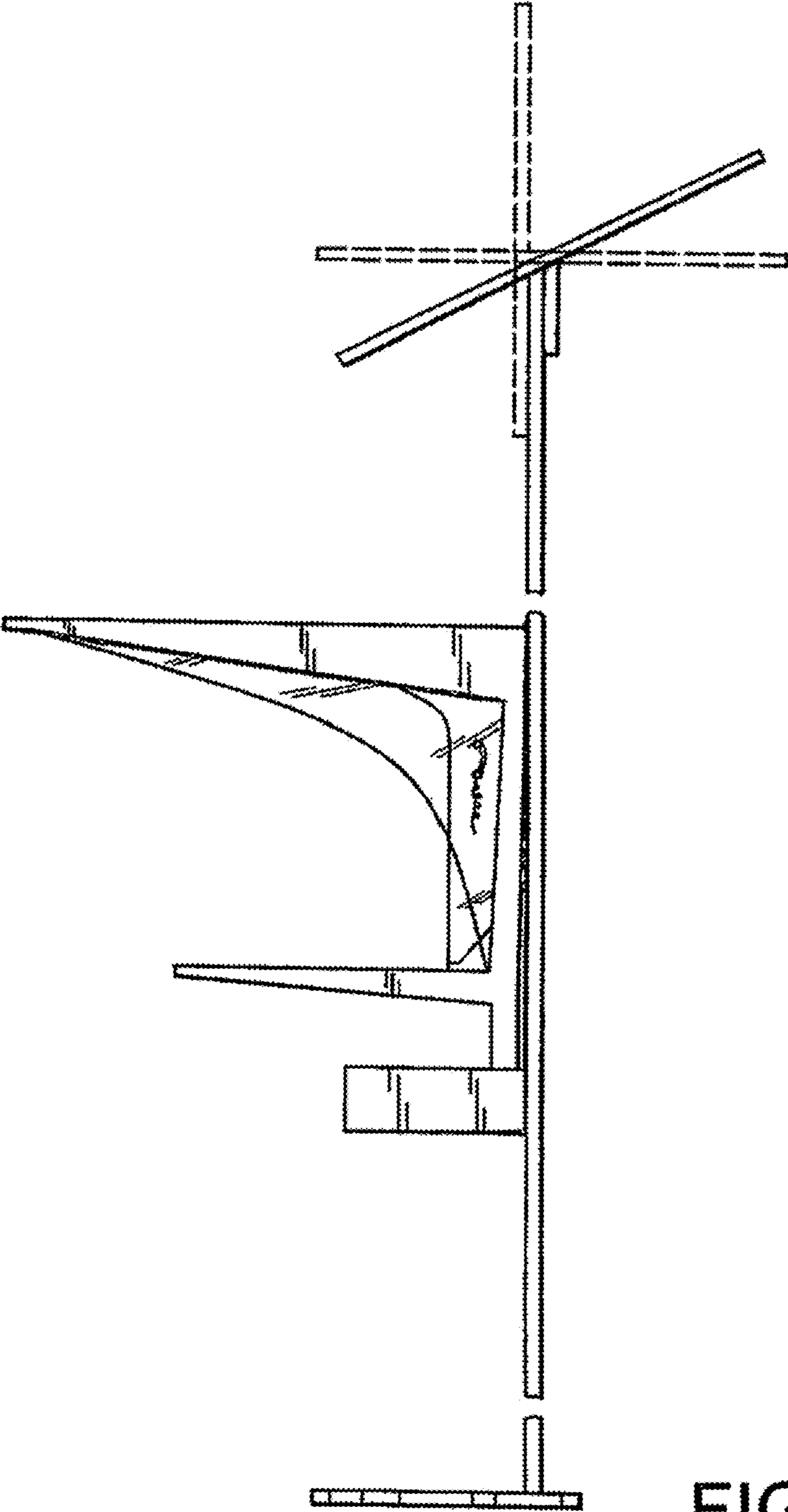


FIG. 6