



US00D734315S

(12) **United States Design Patent**
Masuda et al.

(10) **Patent No.:** **US D734,315 S**
(45) **Date of Patent:** **** Jul. 14, 2015**

(54) **INFORMATION SERVICE TERMINAL**

(71) Applicant: **TOSHIBA TEC KABUSHIKI KAISHA**, Shinagawa-ku, Tokyo (JP)

(72) Inventors: **Takuro Masuda**, Tokyo-to (JP);
Yasuhiro Ono, Kanagawa-ken (JP)

(73) Assignee: **Toshiba Tec Kabushiki Kaisha**, Tokyo (JP)

(**) Term: **14 Years**

(21) Appl. No.: **29/453,783**

(22) Filed: **May 2, 2013**

(51) **LOC (10) Cl.** **14-02**

(52) **U.S. Cl.**
USPC **D14/307**

(58) **Field of Classification Search**
USPC D14/302-307, 900-902; D13/163;
D20/10; D21/332, 325, 369, 370;
D99/28; D6/397, 466; 194/206;
361/679.01, 679.02, 679.04, 679.21,
361/679.57, 725

CPC G06Q 20/18; G06Q 20/10; G06Q 20/123;
G06Q 20/20; G06Q 30/02; G06Q 30/06;
A47F 9/047

See application file for complete search history.

(56) **References Cited**

U.S. PATENT DOCUMENTS

D415,330 S * 10/1999 King D99/28

D505,948 S * 6/2005 Vrachan et al. D14/307
D550,663 S * 9/2007 Olea D14/307
D590,387 S * 4/2009 Chen D14/307
D605,191 S * 12/2009 Kuroda et al. D14/307
D628,742 S * 12/2010 Hsu D28/9
D676,038 S * 2/2013 Masuda et al. D14/307
D695,285 S * 12/2013 Smith et al. D14/307
D702,675 S * 4/2014 Jones D14/307
D707,674 S * 6/2014 Daniel D14/307

* cited by examiner

Primary Examiner — Austin Murphy

(74) *Attorney, Agent, or Firm* — Amin, Turocy & Watson, LLP

(57) **CLAIM**

The ornamental design for an information service terminal, as shown and described.

DESCRIPTION

FIG. 1 is a front, right side perspective view of an information service terminal showing our new design;
FIG. 2 is a rear, left side perspective view thereof;
FIG. 3 is a front view thereof;
FIG. 4 is a rear view thereof;
FIG. 5 is a top view thereof;
FIG. 6 is a bottom view thereof;
FIG. 7 is a right side view thereof; and,
FIG. 8 is a left side view thereof.

1 Claim, 7 Drawing Sheets

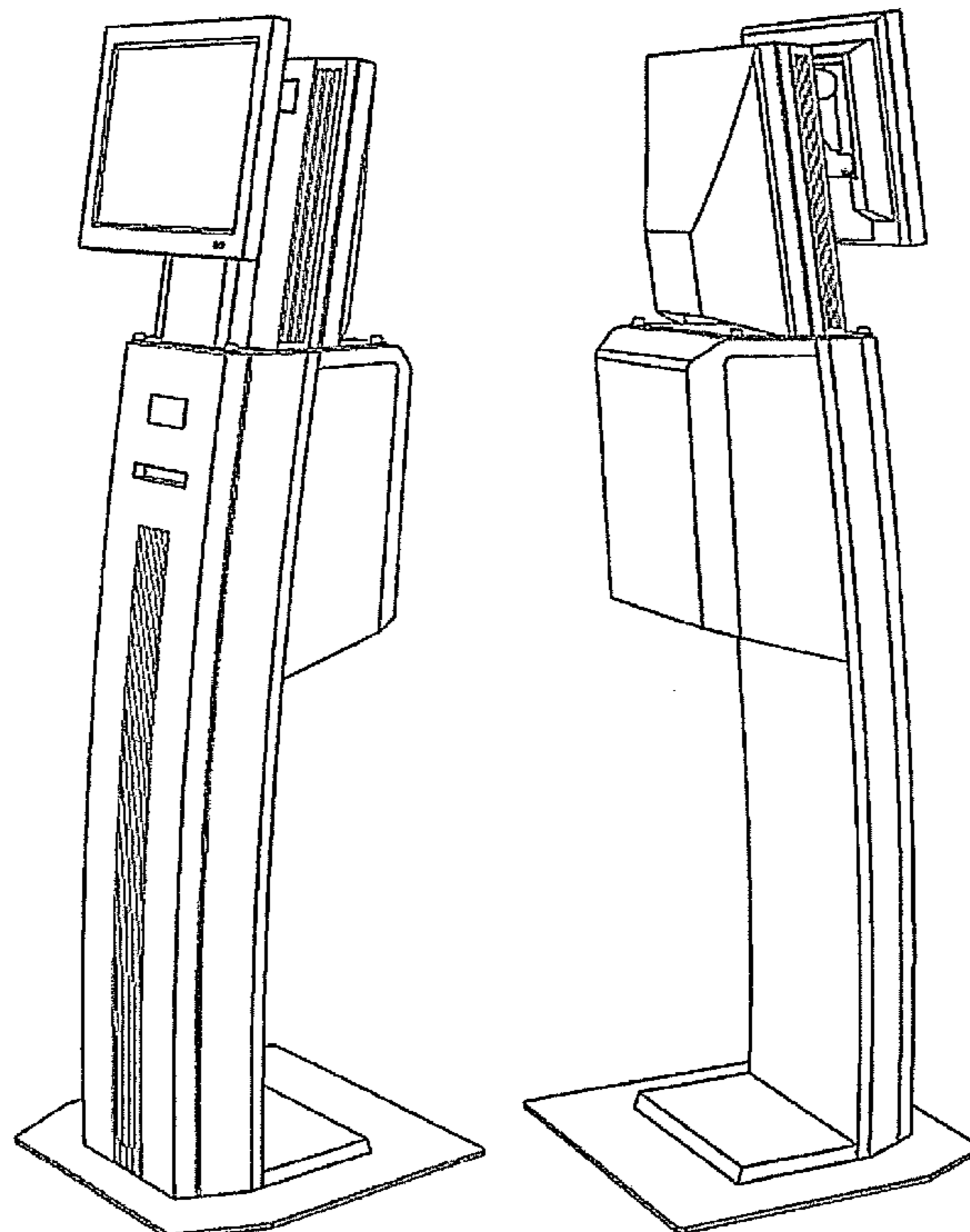


FIG.1

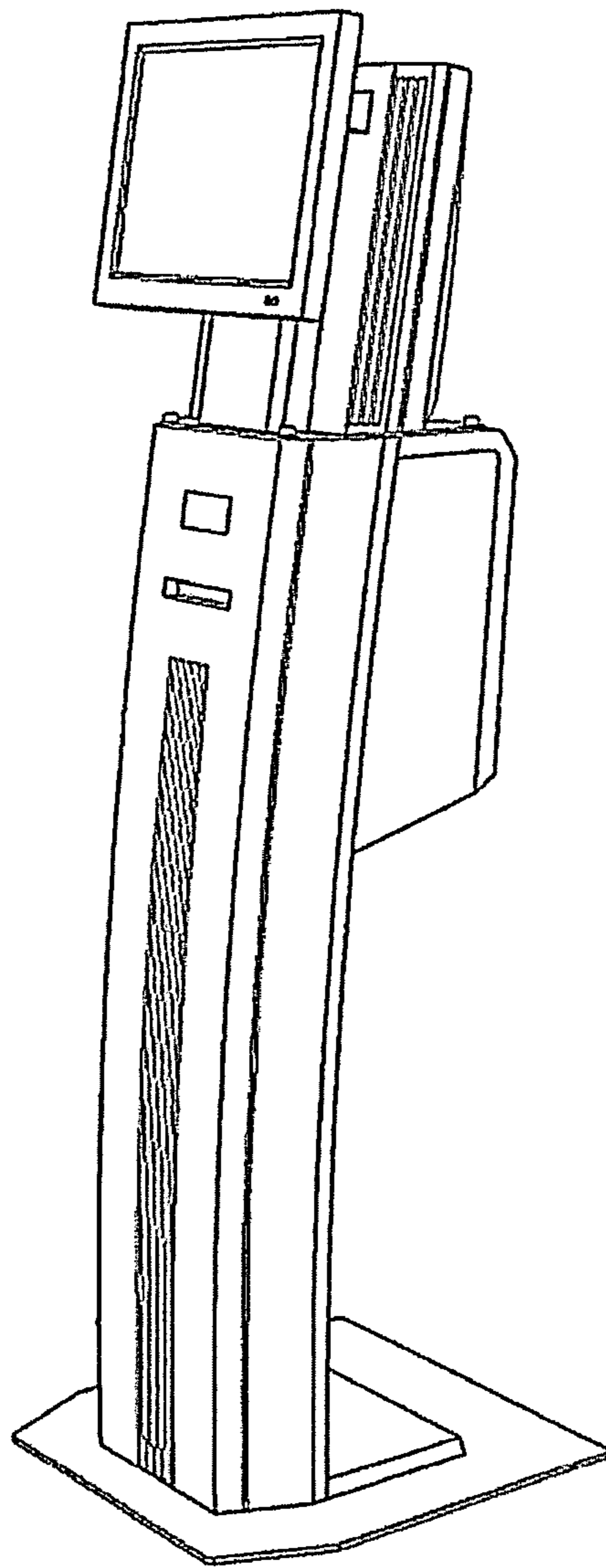


FIG.2

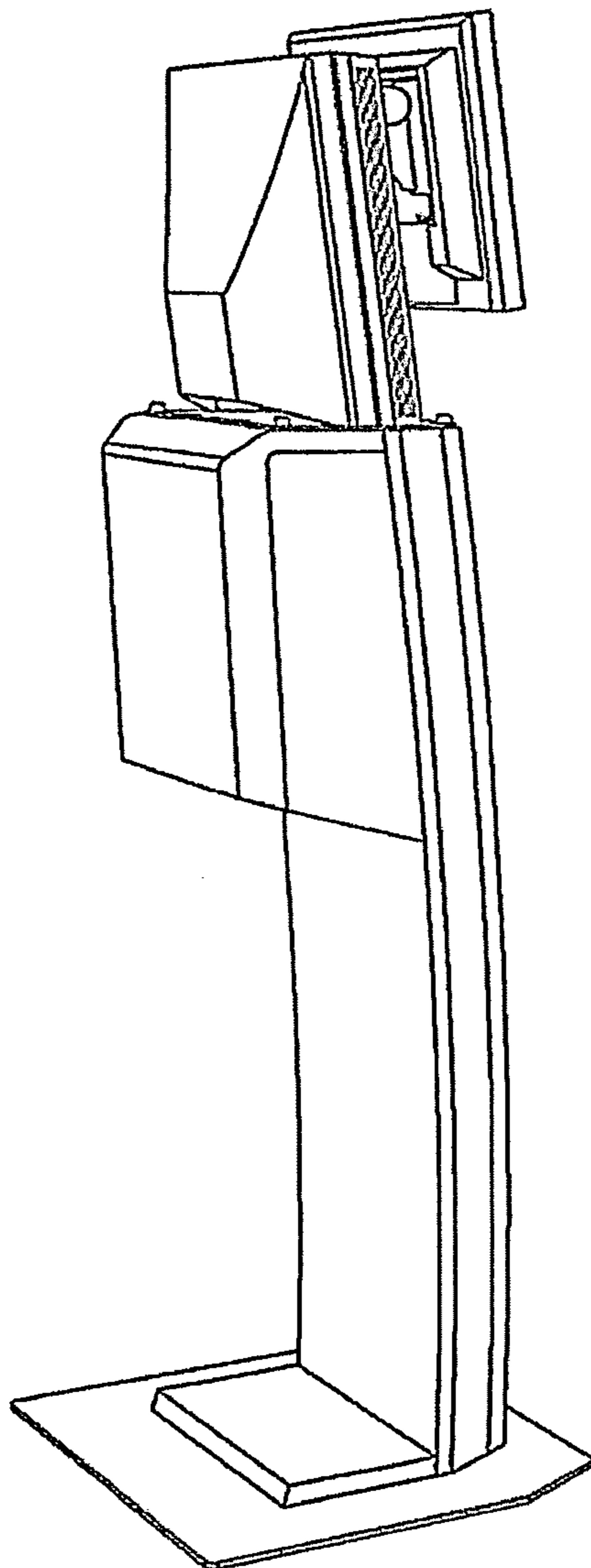


FIG.3

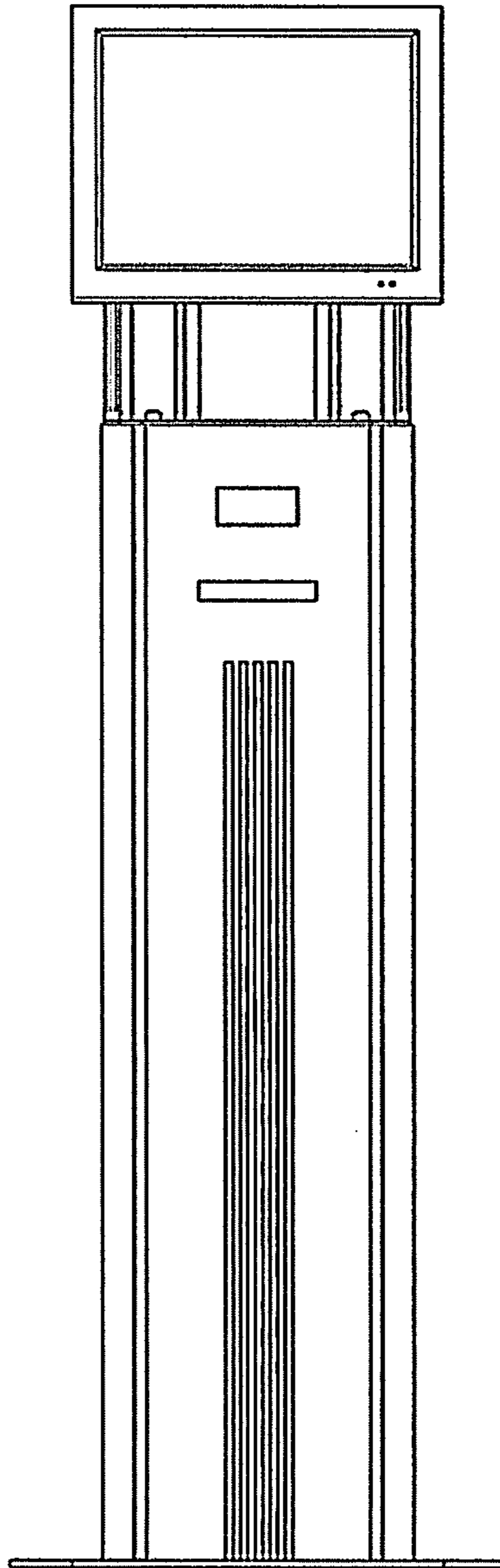


FIG.4

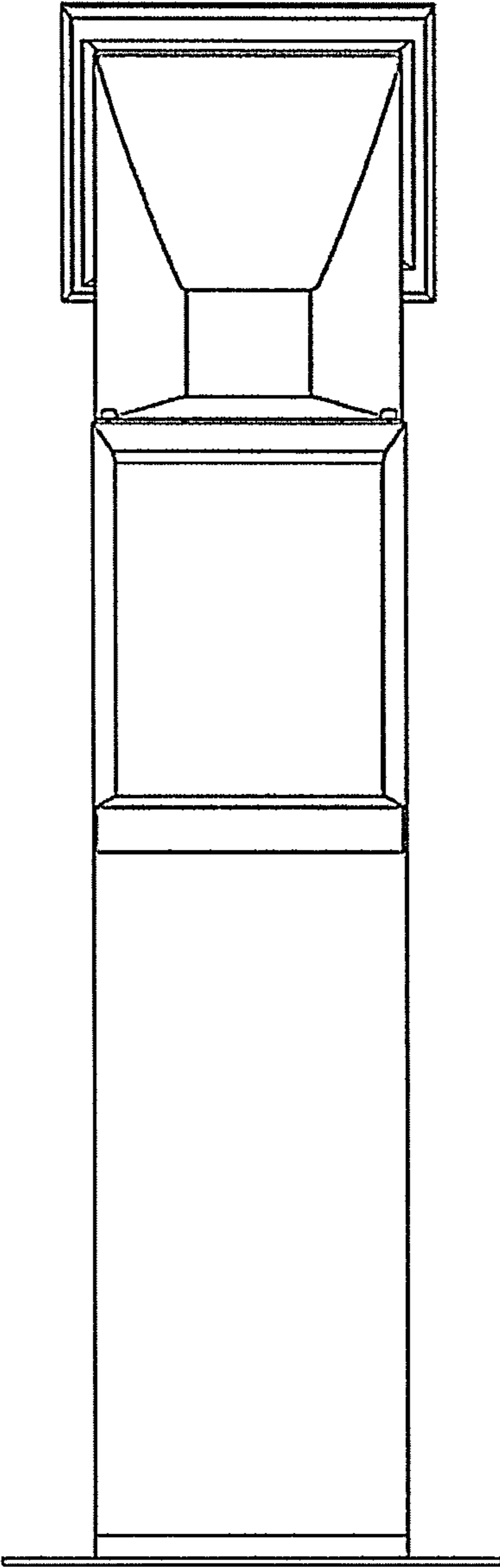


FIG.5

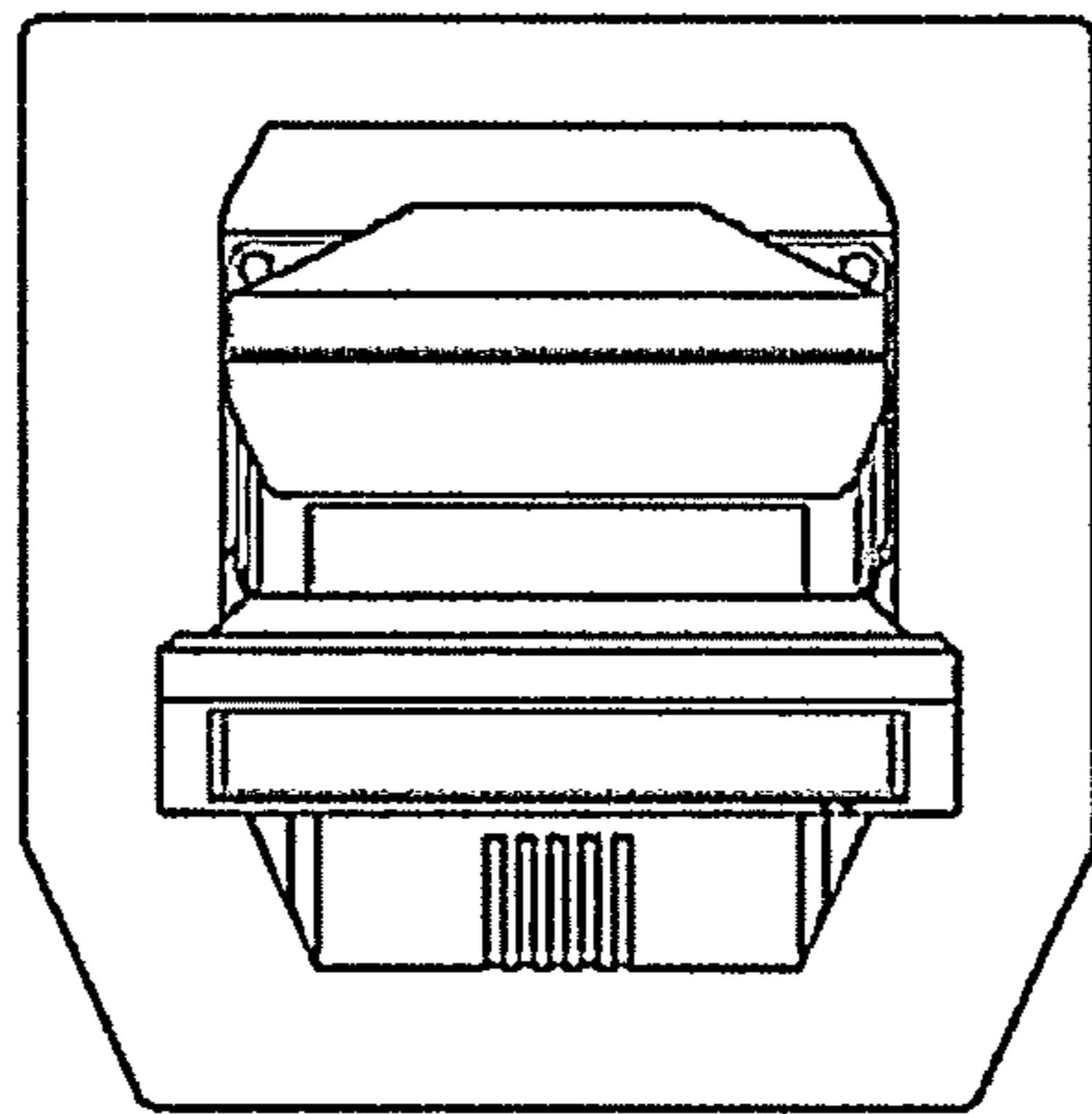


FIG.6

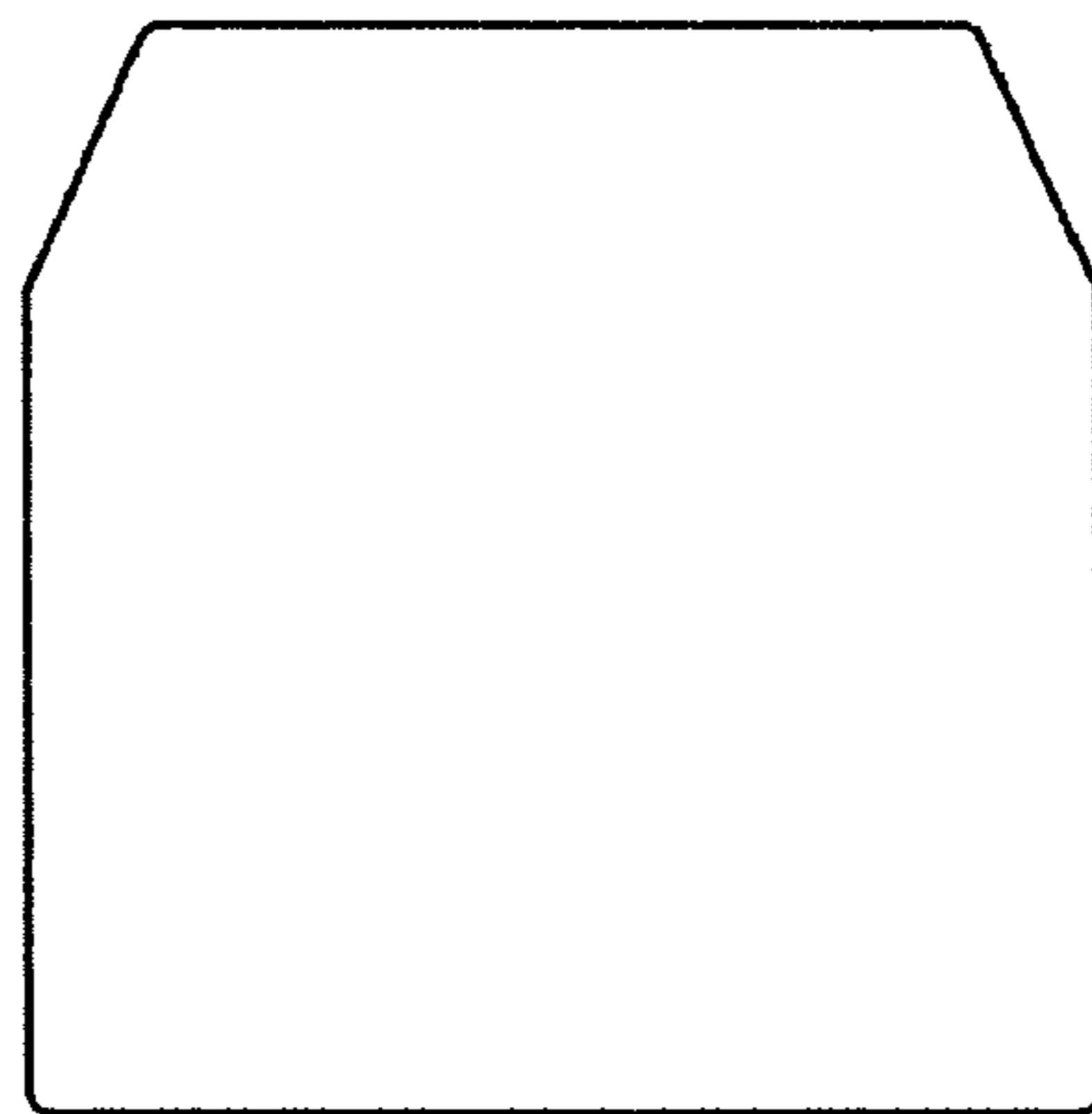


FIG. 7

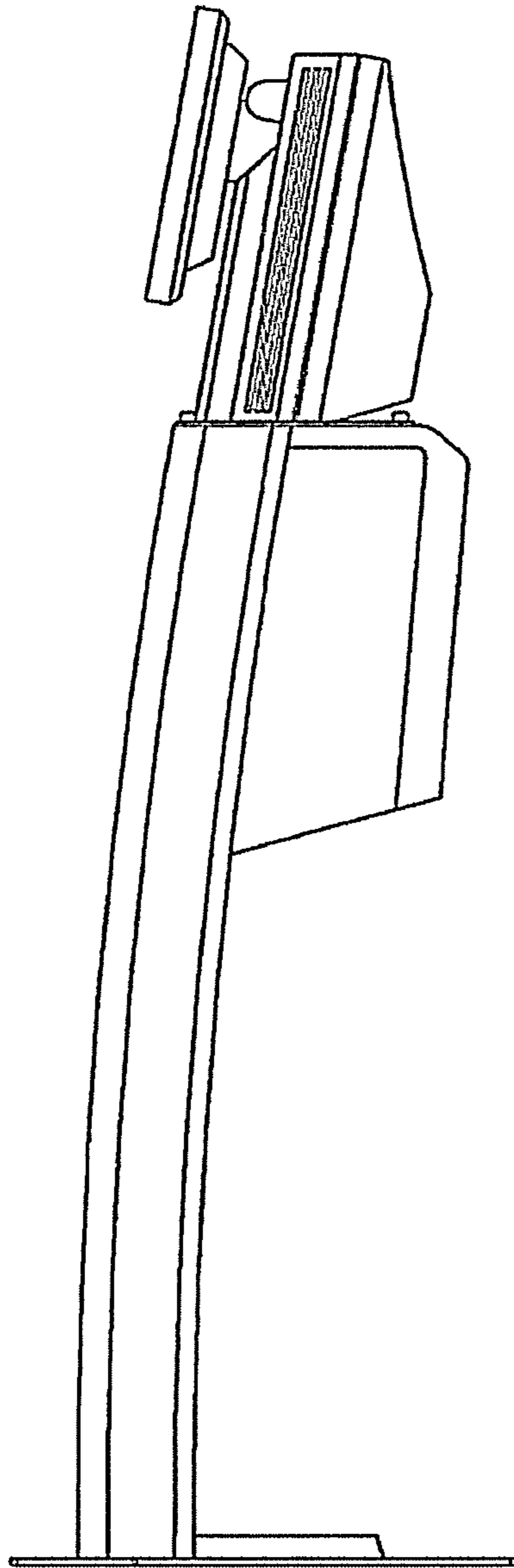


FIG.8

