



US00D734314S

(12) **United States Design Patent**
Swaine et al.

(10) **Patent No.:** **US D734,314 S**
(45) **Date of Patent:** **** Jul. 14, 2015**

(54) **TERMINAL**
(71) Applicant: **NCR Corporation**, Duluth, GA (US)
(72) Inventors: **Stephen W. Swaine**, Scotland (GB); **Ian M. Denny**, Scotland (GB)
(73) Assignee: **NCR Corporation**, Duluth, GA (US)
(**) Term: **14 Years**

D591,078 S * 4/2009 Singler et al. D6/432
D605,190 S * 12/2009 Kuroda et al. D14/307
D626,545 S * 11/2010 Bleck et al. D14/307
D637,595 S * 5/2011 Mizusugi D14/307
D653,422 S * 1/2012 Rohan et al. D99/28
D669,891 S * 10/2012 Bowles et al. D14/307
D693,803 S * 11/2013 Colley et al. D14/307
D695,285 S * 12/2013 Smith et al. D14/307
D702,676 S * 4/2014 Smith et al. D14/307
D713,840 S * 9/2014 Daniel D14/307
D716,792 S * 11/2014 Raymonde Looze D14/307
2014/0165885 A1* 6/2014 Denny 109/50

(21) Appl. No.: **29/452,380**
(22) Filed: **Apr. 16, 2013**
(51) **LOC (10) Cl.** **14-02**
(52) **U.S. Cl.**
USPC **D14/307**
(58) **Field of Classification Search**
USPC D14/302-307, 900-902; D13/163;
D20/10; D21/332, 325, 369, 370;
D99/28; D6/397, 466; 194/206;
361/679.01, 679.02, 679.04, 679.21,
361/679.57, 725
See application file for complete search history.

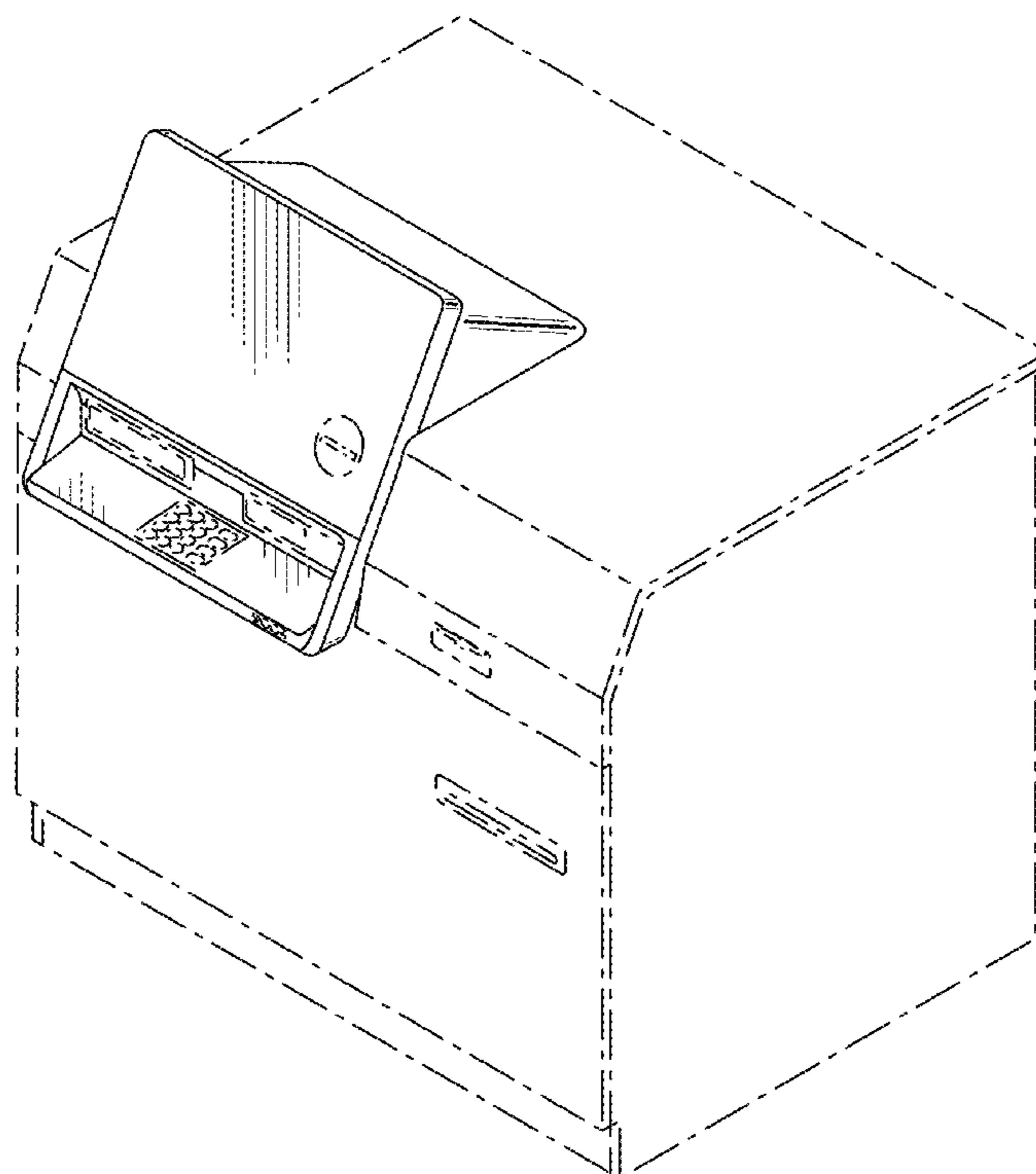
* cited by examiner
Primary Examiner — Austin Murphy
(74) *Attorney, Agent, or Firm* — Paul W. Martin

(56) **References Cited**
U.S. PATENT DOCUMENTS
D465,895 S * 11/2002 Pfefferle et al. D34/19
D518,480 S * 4/2006 Zheng et al. D14/307

(57) **CLAIM**
The ornamental design for a terminal, as shown and described.

DESCRIPTION
FIG. 1 is a front view of the terminal showing our new design;
FIG. 2 is a rear view thereof;
FIG. 3 is a right side view thereof;
FIG. 4 is a left side view thereof;
FIG. 5 is a top view thereof; and,
FIG. 6 is a perspective view thereof.

1 Claim, 6 Drawing Sheets



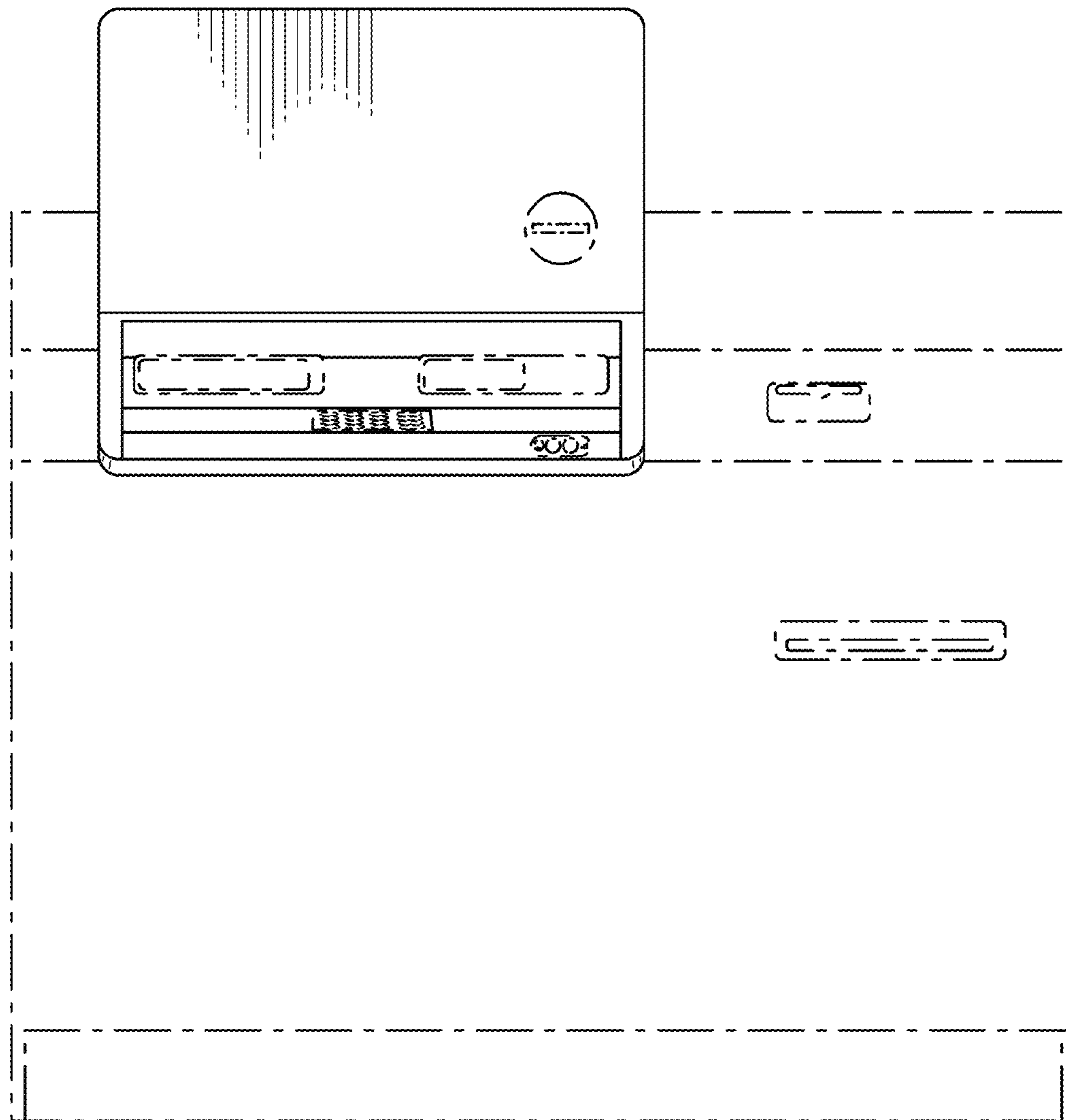


FIG. 1

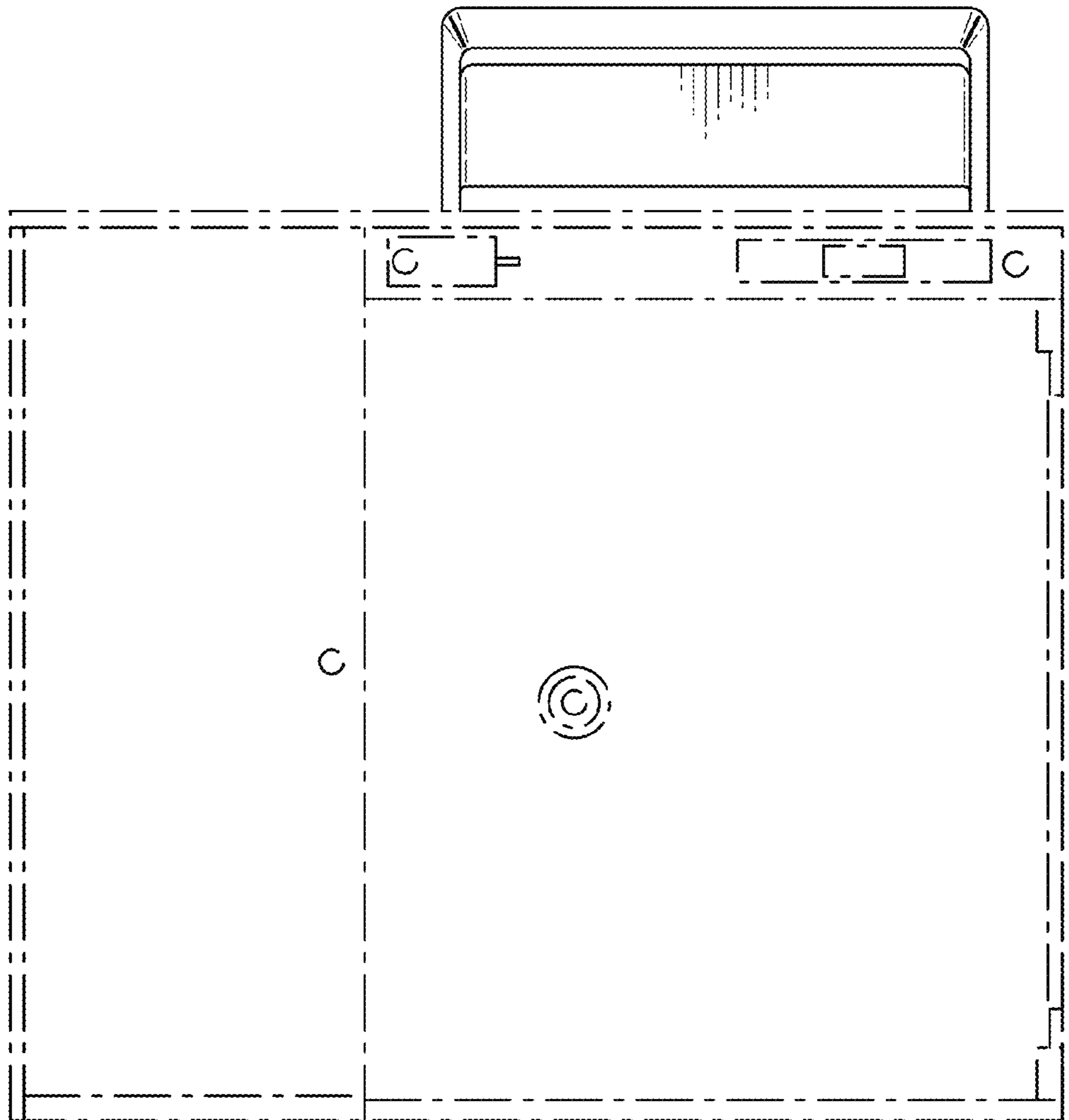


FIG. 2

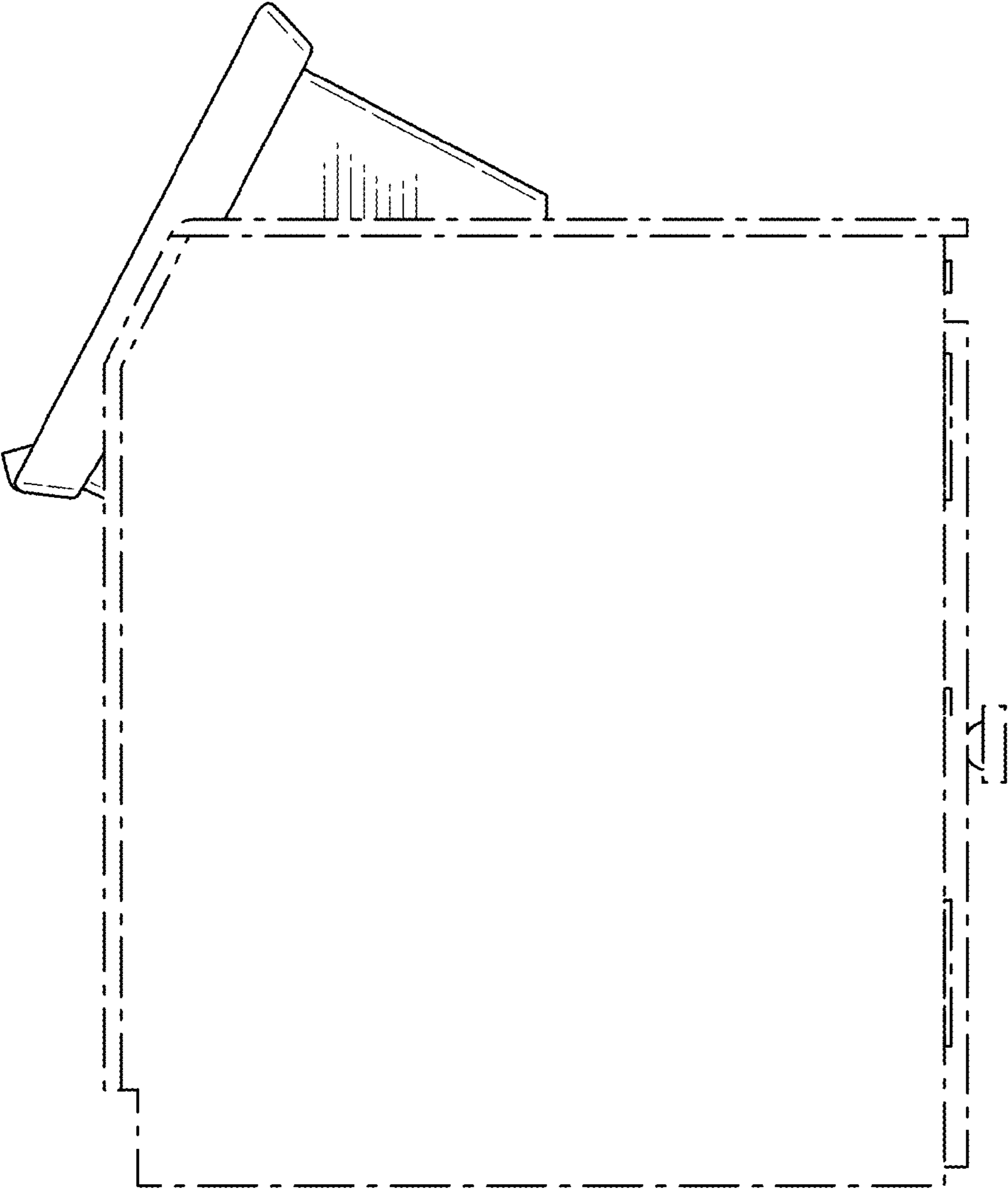


FIG. 3

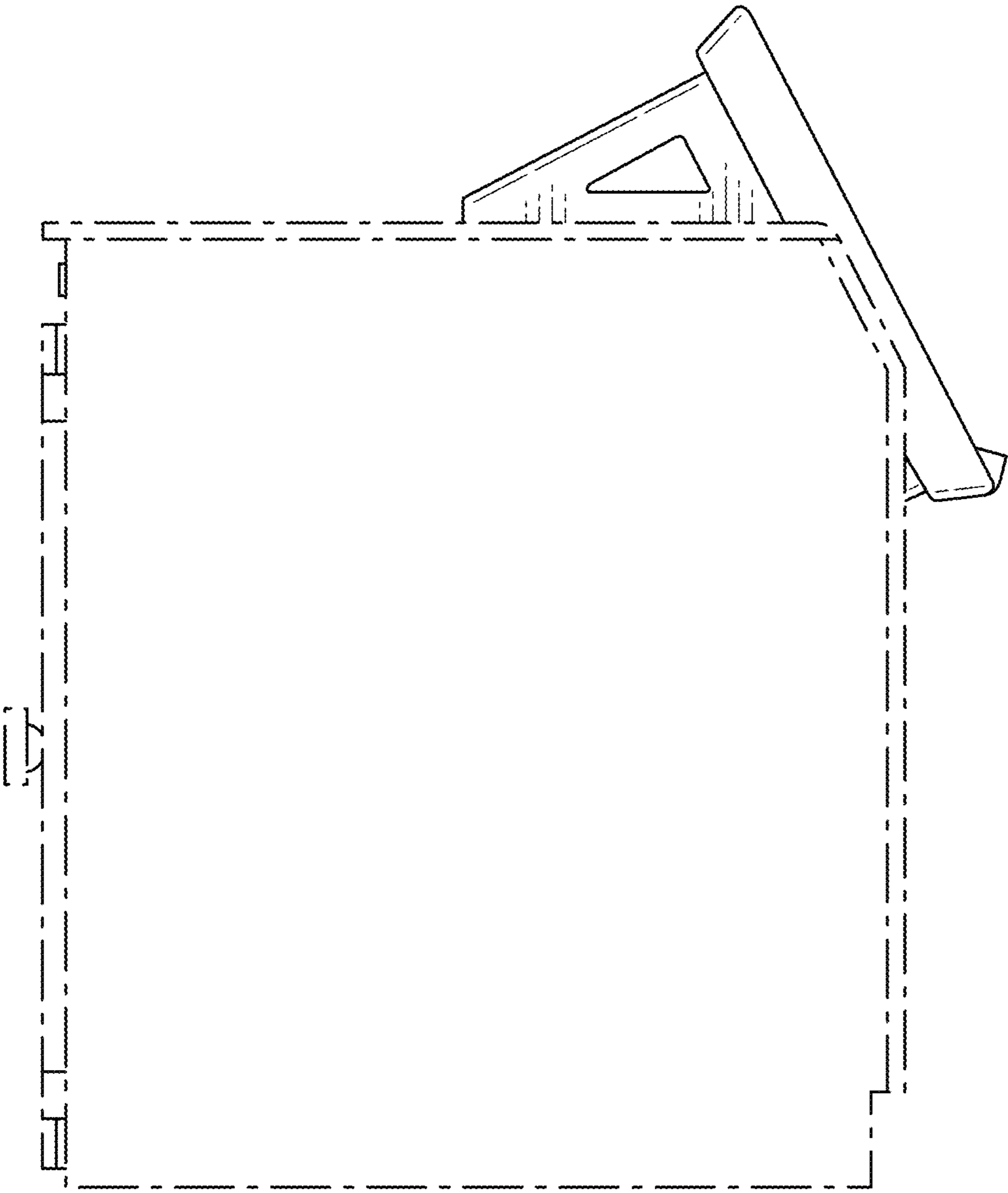


FIG. 4

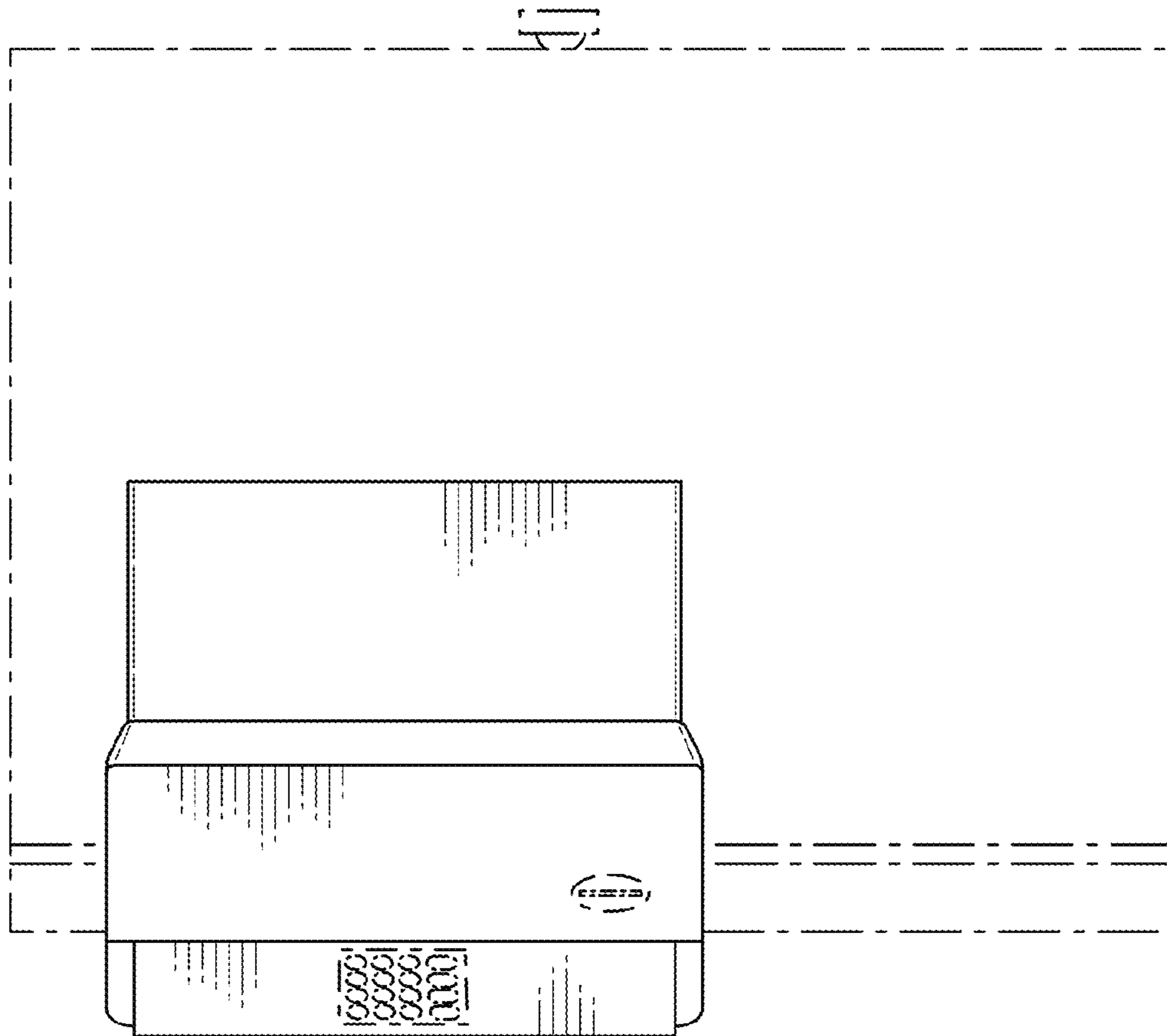


FIG. 5

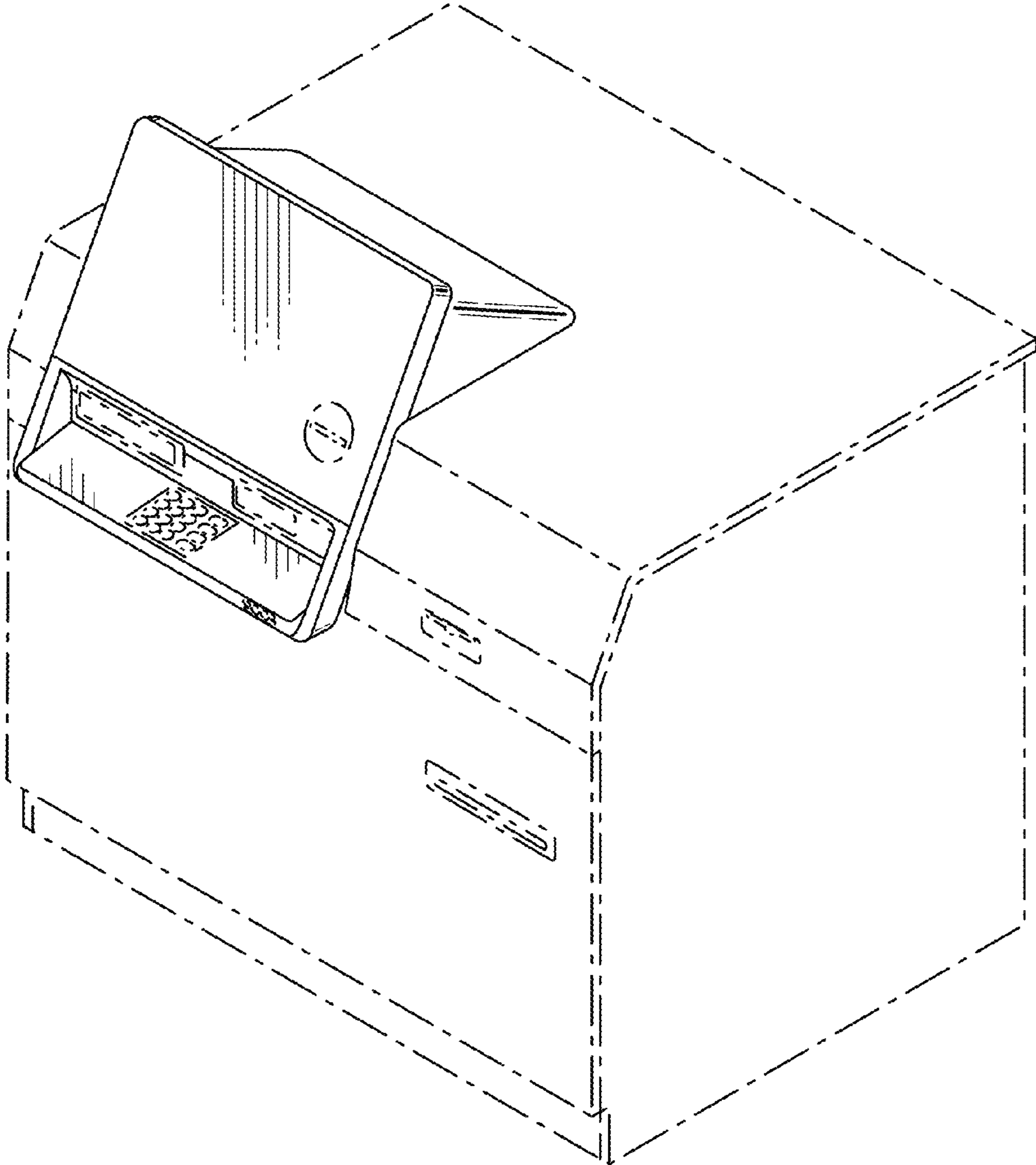


FIG. 6