



US00D734312S

(12) **United States Design Patent**
Schmidt et al.

(10) **Patent No.:** **US D734,312 S**

(45) **Date of Patent:** **** Jul. 14, 2015**

(54) **HOME DATA CENTER**

(71) Applicant: **BLACK PEARL SYSTEMS, INC.**,
Cupertino, CA (US)

(72) Inventors: **Peter O. Schmidt**, San Jose, CA (US);
Michael F. Gifford, San Jose, CA (US);
Jeanette Marie Numbers, Providence,
RI (US); **Gregor Mittersinker**,
Warwick, RI (US)

(73) Assignee: **LYVE MINDS, INC.**, Cupertino, CA
(US)

(**) Term: **14 Years**

(21) Appl. No.: **29/477,215**

(22) Filed: **Dec. 19, 2013**

(51) **LOC (10) Cl.** **14-02**

(52) **U.S. Cl.**
USPC **D14/300**

(58) **Field of Classification Search**
USPC 263/300, 308, 348–358, 365; D13/162,
D13/184, 199; 312/223.1–223.3, 351.11;
360/99.01–99.12; 369/34.01–36.01;
361/679.6, 679.31–679.33, 679.58
See application file for complete search history.

(56) **References Cited**

U.S. PATENT DOCUMENTS

D435,741 S * 1/2001 Schlereth D6/446
D502,176 S * 2/2005 Fumagalli D14/308
D543,161 S * 5/2007 Stepputat D13/184

D568,881 S * 5/2008 Hsiau D14/370
D588,081 S * 3/2009 Lewis et al. D13/184
D615,968 S * 5/2010 Herbst et al. D14/300
7,864,521 B2 * 1/2011 Chen et al. 361/679.33
D647,088 S * 10/2011 Chen et al. D14/349

* cited by examiner

Primary Examiner — Freda S Nunn

(74) *Attorney, Agent, or Firm* — Maschoff Brennan

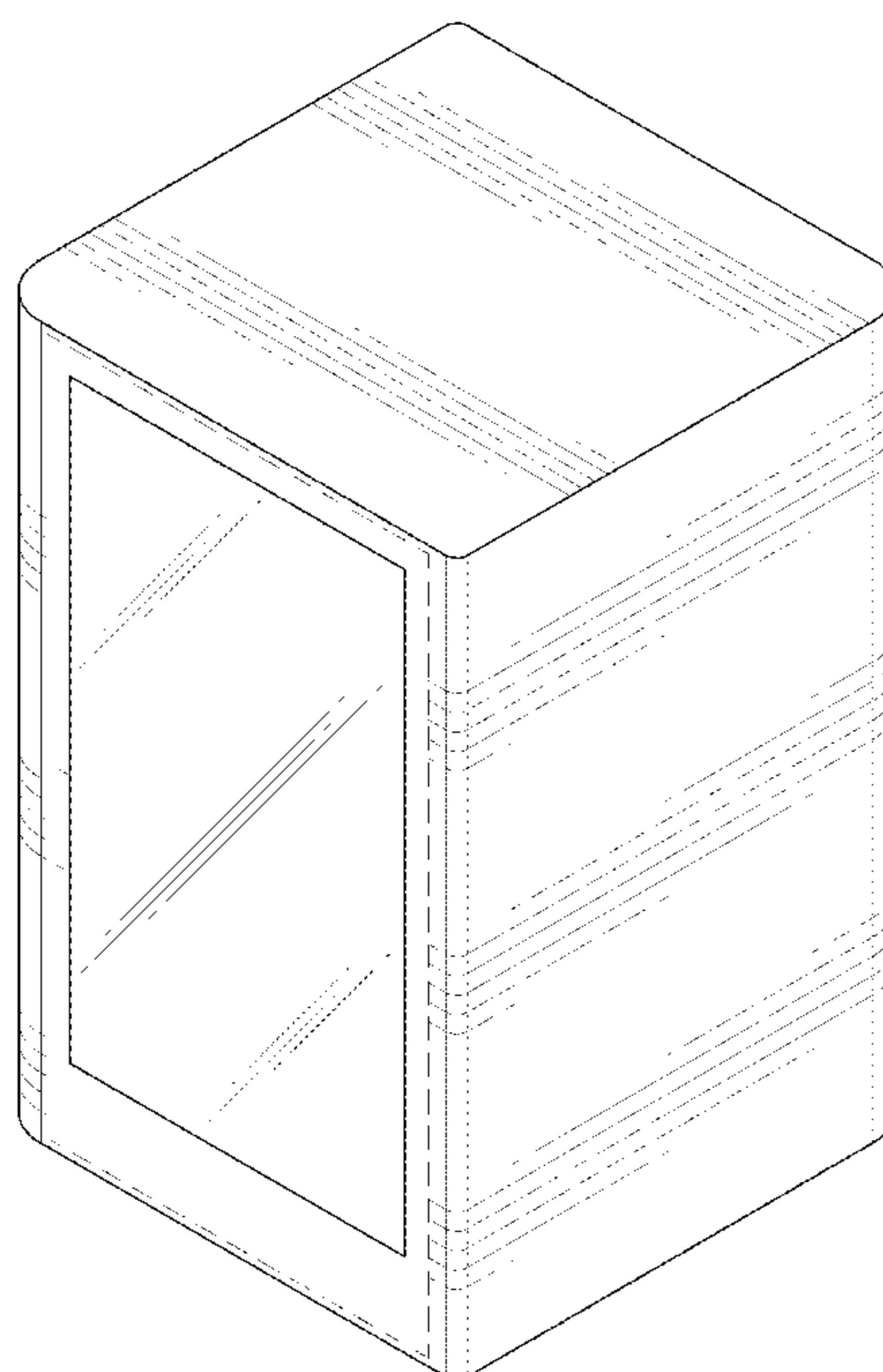
(57) **CLAIM**

The ornamental design for a home data center, as shown and described.

DESCRIPTION

FIG. 1 is a top, front, side perspective view of a home data center;
FIG. 2 is a bottom, back, side perspective view of the home data center shown in FIG. 1;
FIG. 3 is a front view of the home data center shown in FIG. 1;
FIG. 4 is a back view of the home data center shown in FIG. 1;
FIG. 5 is a first side view of the home data center shown in FIG. 1;
FIG. 6 is a second side view of the home data center shown in FIG. 1;
FIG. 7 is a top view of the home data center shown in FIG. 1; and,
FIG. 8 is a bottom view of the home data center shown in FIG. 1.
The broken lines shown in the drawings illustrate portions of the data center, and form no part of the claimed design.

1 Claim, 5 Drawing Sheets



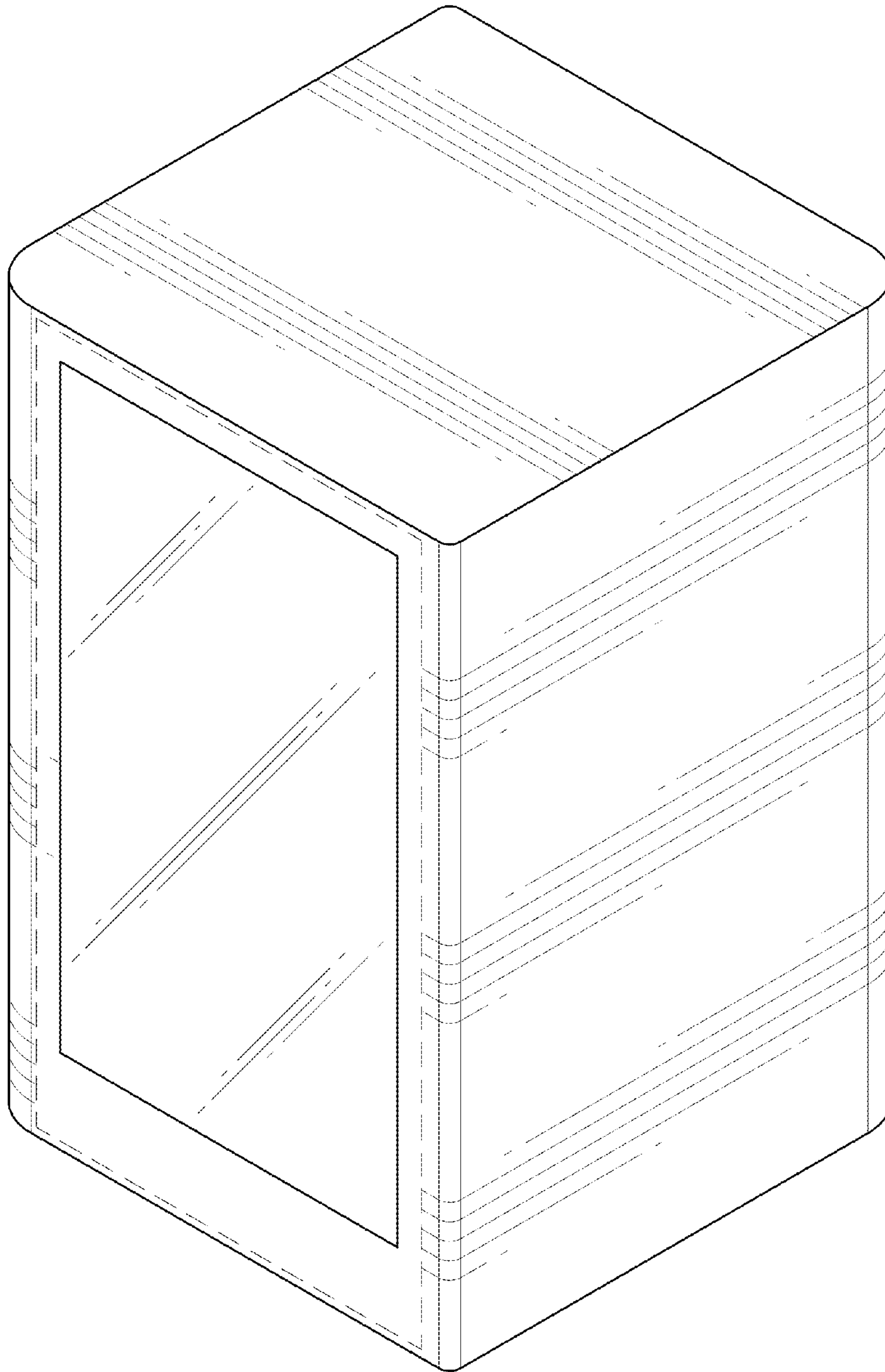


Fig. 1

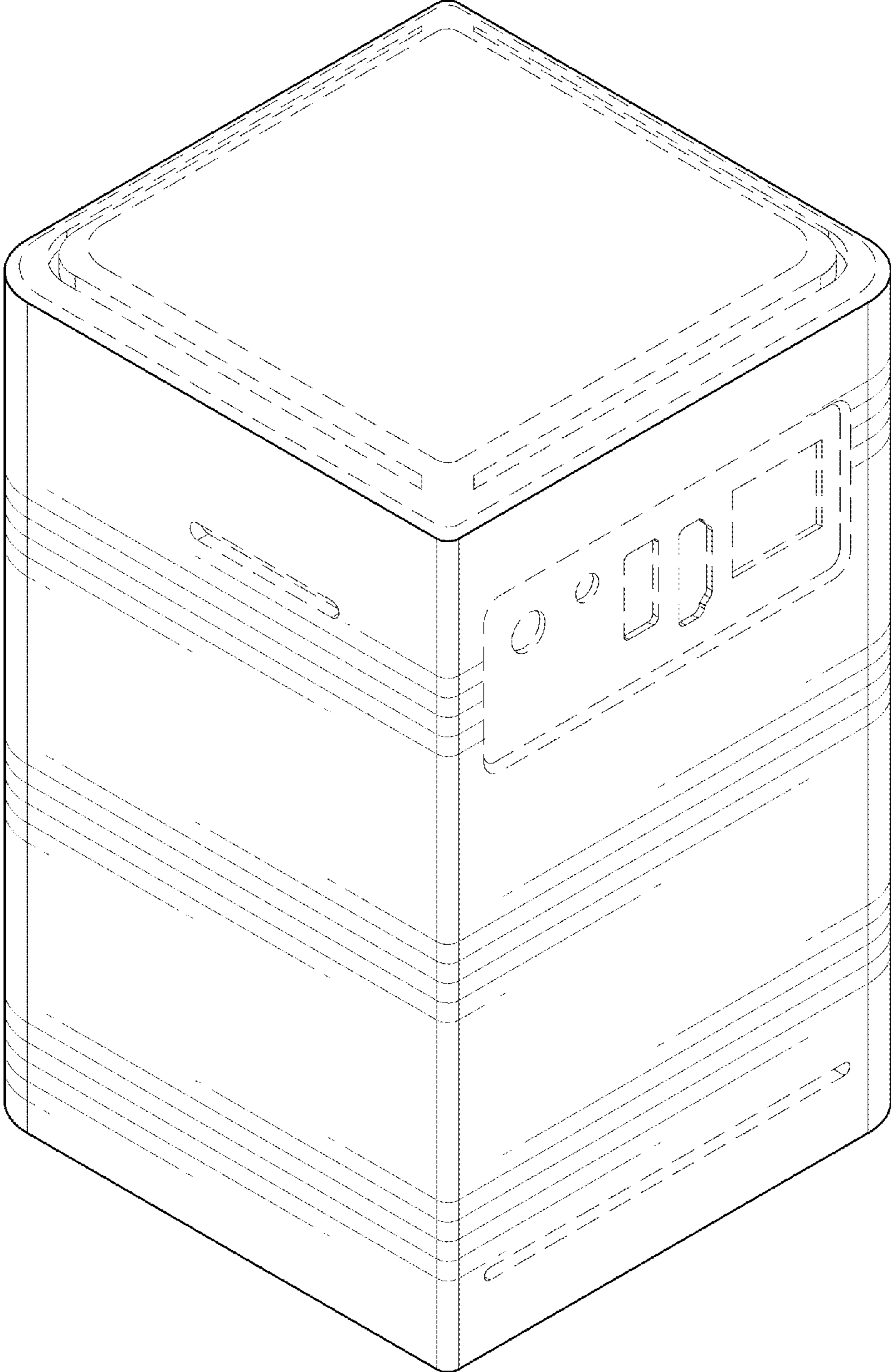


Fig. 2

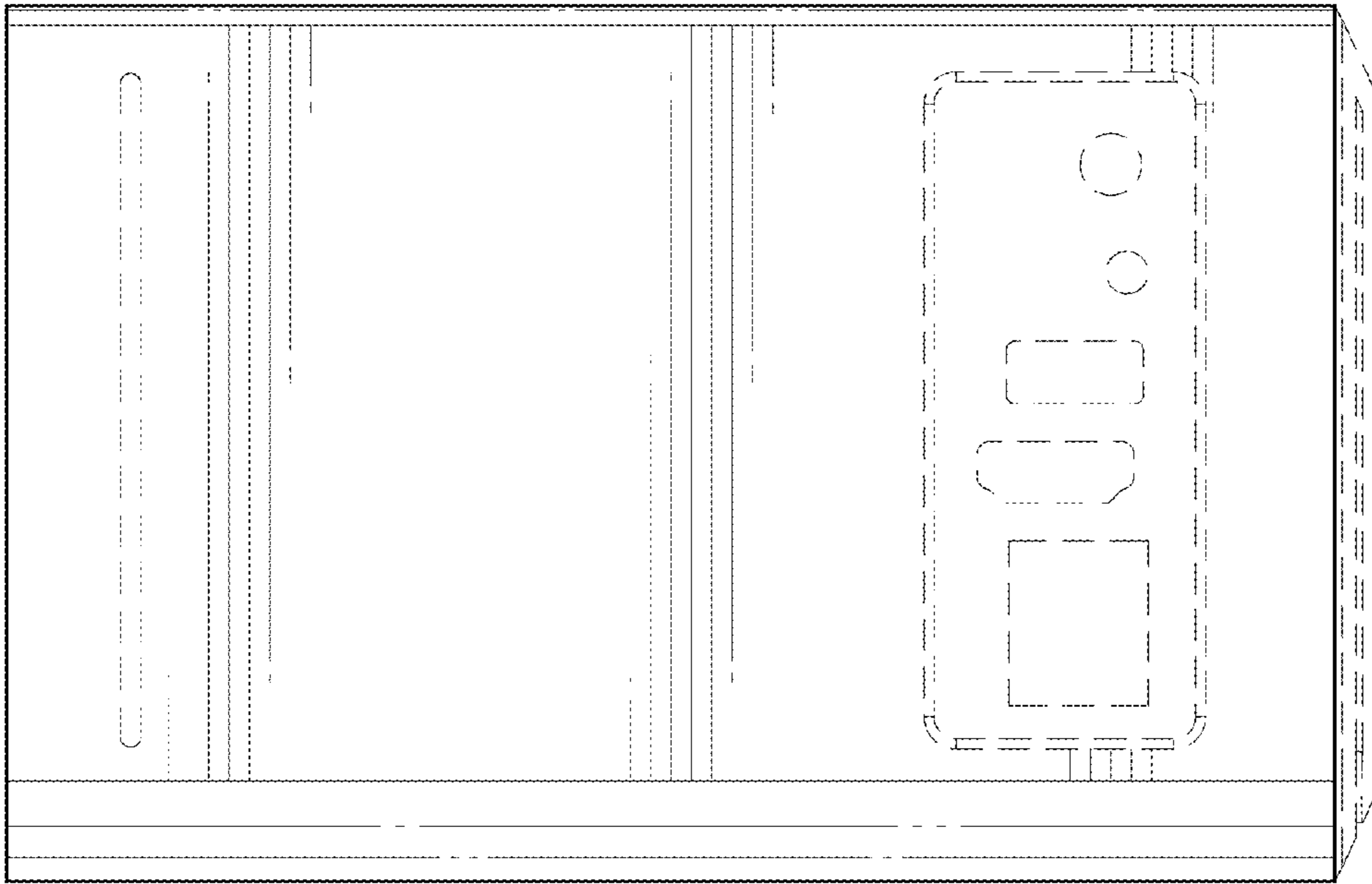


Fig. 4

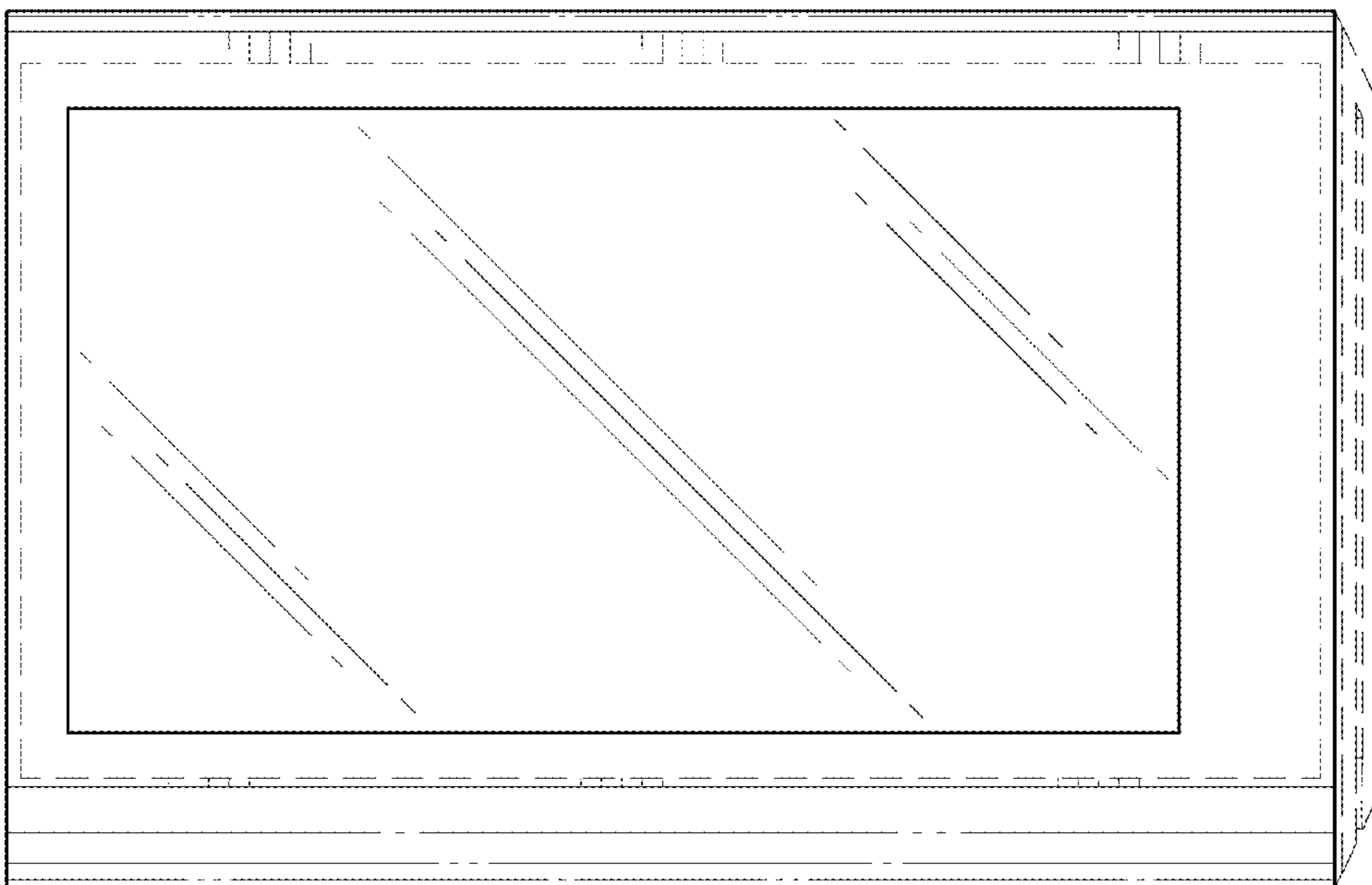


Fig. 3

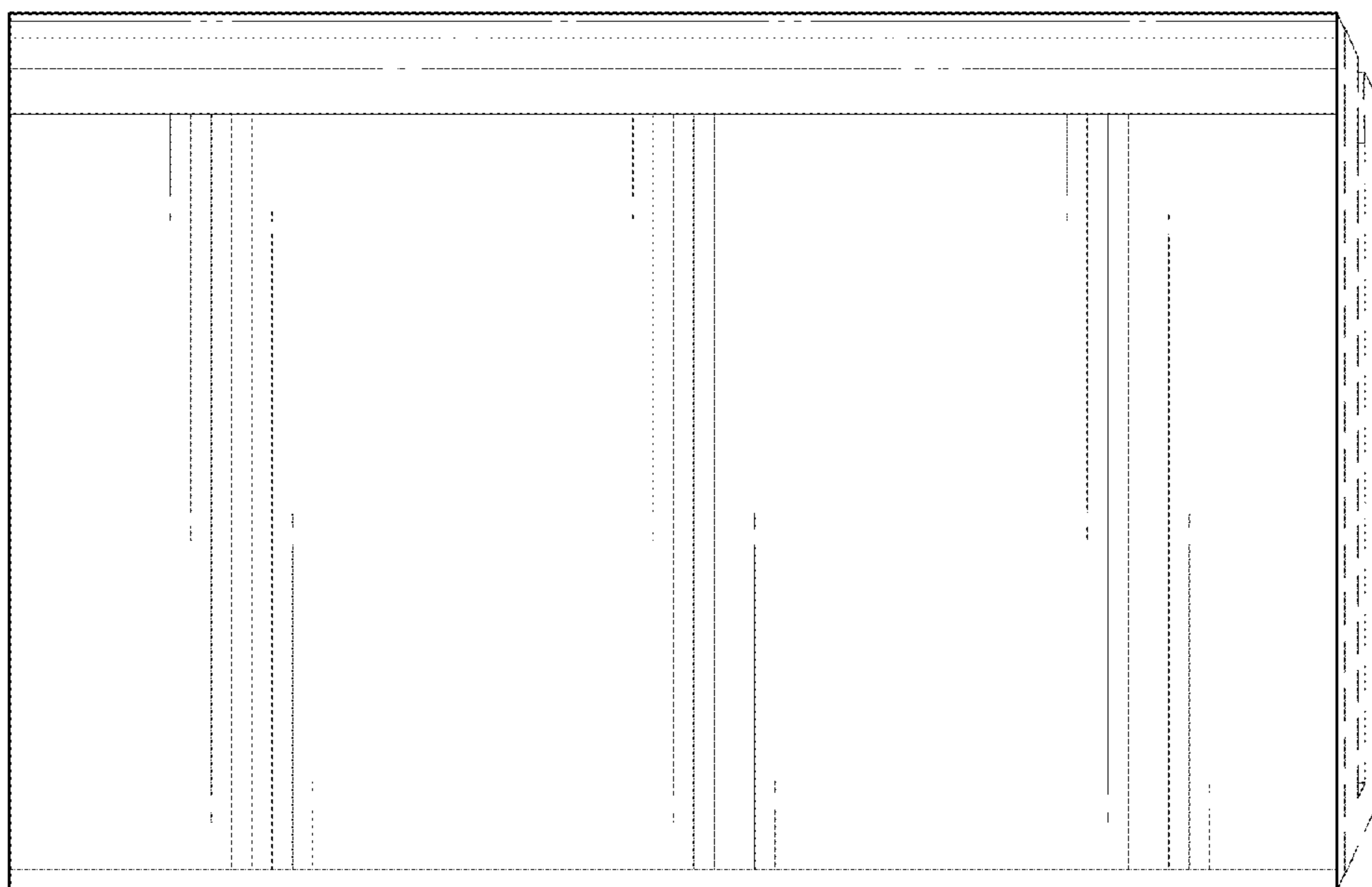


Fig. 6

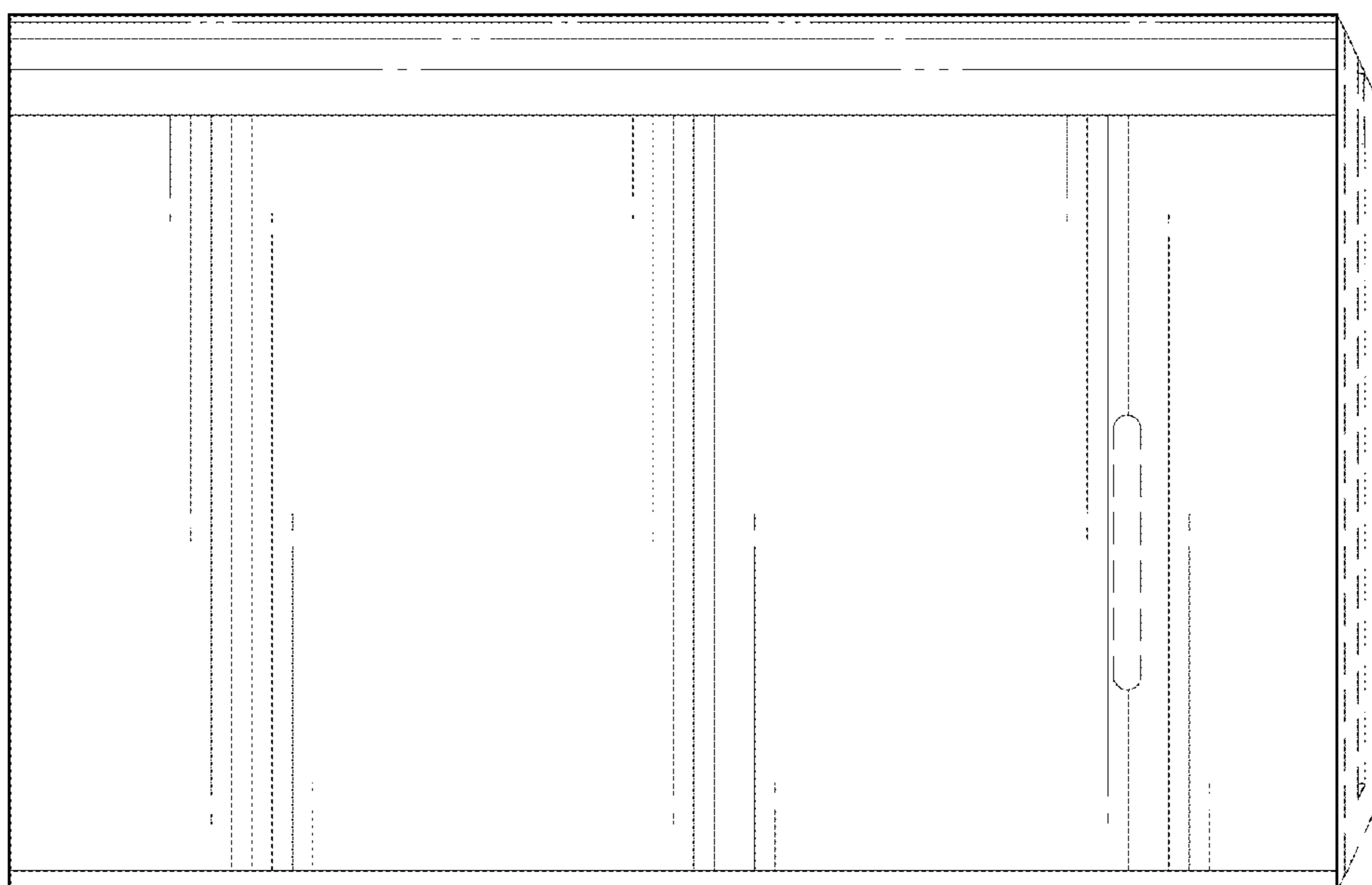


Fig. 5

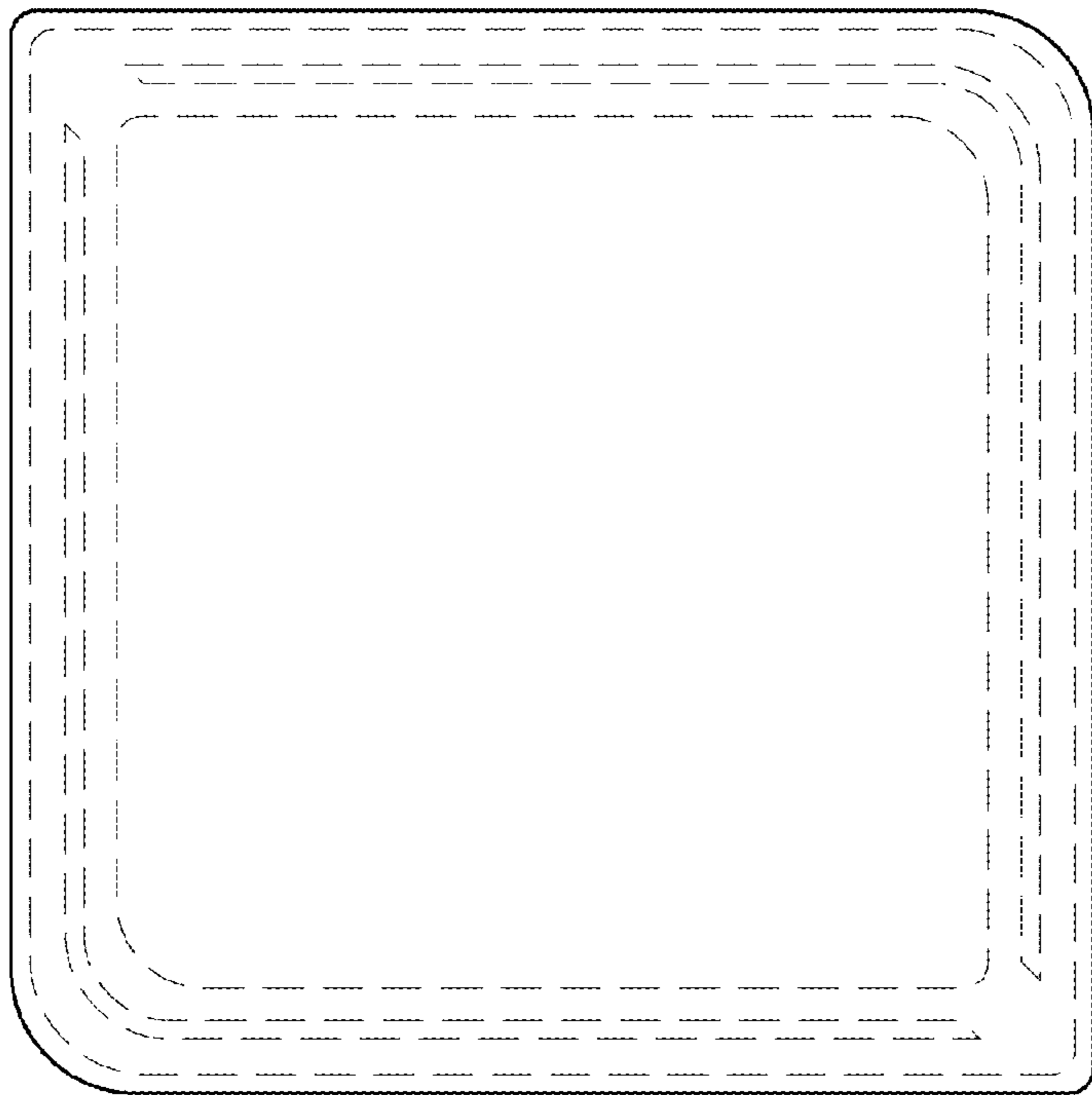


Fig. 8

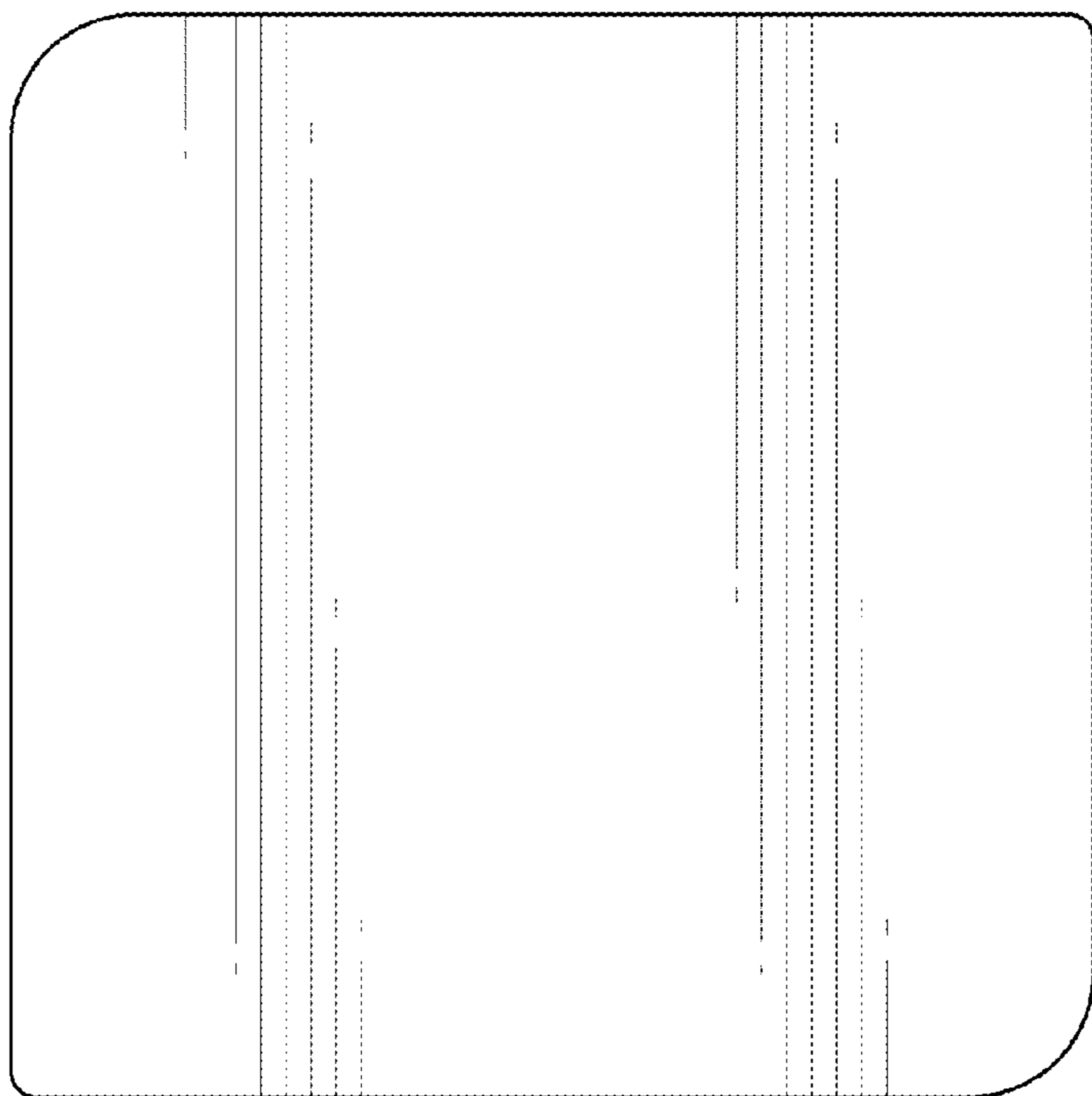


Fig. 7