

US00D734308S

(12) **United States Design Patent**
Jeon et al.

(10) **Patent No.:** **US D734,308 S**
(45) **Date of Patent:** **** Jul. 14, 2015**

(54) **TELEPHONE RECEIVER**

(71) Applicant: **Samsung Electronics Co., Ltd.**,
Suwon-si (KR)
(72) Inventors: **So-Yoon Jeon**, Guri-si (KR); **Ji-Hee Kwak**, Seoul (KR); **Ji-Hyun Moon**,
Gwangmyeong-si (KR)
(73) Assignee: **Samsung Electronics Co., Ltd.**,
Suwon-si (KR)

(**) Term: **14 Years**
(21) Appl. No.: **29/490,312**
(22) Filed: **May 8, 2014**

(30) **Foreign Application Priority Data**
Dec. 12, 2013 (KR) 30-2013-0062976

(51) **LOC (10) Cl.** **14-03**
(52) **U.S. Cl.**

USPC **D14/248**

(58) **Field of Classification Search**
USPC D14/248, 151, 130, 140.7, 140.8, 142,
D14/144, 149, 150, 155, 158, 159, 188, 217,
D14/226, 229, 240, 251-253, 399, 329,
D14/466-468, 140; D21/517; D13/107,
D13/108, 168; D10/65; 379/88.17, 90.01,
379/93.17, 387.01, 388.02, 419-420.04,
379/420.02, 428.01-428.04, 434-436, 440,
379/446-447, 454-455, 93.23; D24/165
CPC H04M 1/00; H04M 1/003; H04M 1/02;
H04M 1/03; H04M 1/04; H04M 1/21
See application file for complete search history.

(56) **References Cited**
U.S. PATENT DOCUMENTS
D193,663 S * 9/1962 Hagelbarger D14/147
D227,782 S * 7/1973 Hazell D14/248

D246,651 S * 12/1977 Morrison et al. D14/145
D248,234 S * 6/1978 Genaro et al. D14/149
D257,977 S * 1/1981 Blomberg D14/148
D264,338 S * 5/1982 Sharp et al. D14/151
D271,393 S * 11/1983 Carr D14/248
D273,491 S * 4/1984 Perkins D14/153
D278,531 S * 4/1985 McGarvey et al. D14/149
D282,542 S * 2/1986 Mo D14/148
D283,614 S * 4/1986 Somaschini D14/130
D284,572 S * 7/1986 Perkins D14/150
D284,857 S * 7/1986 Brignole D14/150
D287,721 S * 1/1987 Perkins D14/151
D287,964 S * 1/1987 Perkins D14/149
D290,603 S * 6/1987 Offredi D14/151
D291,083 S * 7/1987 Davidson D14/248
D291,199 S * 8/1987 Watanabe D14/147
D293,442 S * 12/1987 Richardson et al. D14/248
D294,500 S * 3/1988 Drakulovic et al. D14/248
D294,695 S * 3/1988 Endt D14/150
D297,935 S * 10/1988 Kurosu et al. D14/151

(Continued)

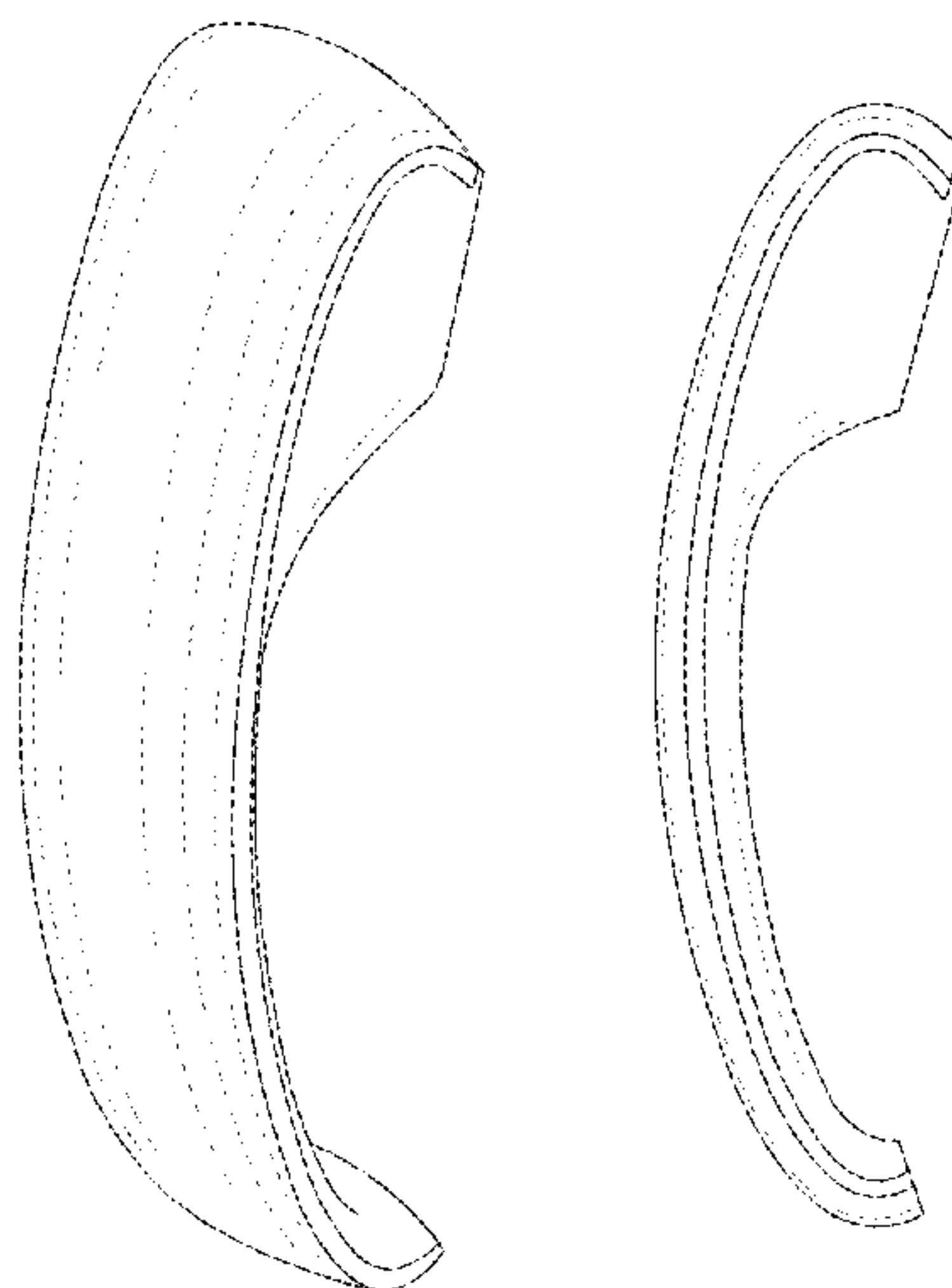
Primary Examiner — Susan Bennett Hattan
Assistant Examiner — Marie Fast Horse
(74) *Attorney, Agent, or Firm* — NSIP Law

(57) **CLAIM**
We claim the ornamental design for a telephone receiver, as shown and described.

DESCRIPTION

FIG. 1 is a front perspective view of a telephone receiver showing our new design;
FIG. 2 is a front view thereof;
FIG. 3 is a rear view thereof;
FIG. 4 is a left-side view thereof;
FIG. 5 is a right-side view thereof;
FIG. 6 is a top view thereof;
FIG. 7 is a bottom view thereof; and,
FIG. 8 is a rear perspective view thereof.
The broken lines in the figures show portions of the telephone receiver which form no part of the claimed design.

1 Claim, 5 Drawing Sheets



(56)

References Cited

U.S. PATENT DOCUMENTS

D300,317 S *	3/1989	Yoshiharu	D14/143	D431,820 S *	10/2000	Takayama et al.	D14/248
D302,690 S *	8/1989	Krohn et al.	D14/144	D439,234 S *	3/2001	Narrillos Hortiguela	D14/151
D307,428 S *	4/1990	Pfeifer et al.	D14/151	6,445,793 B1 *	9/2002	Vassallo et al.	379/428.01
D307,429 S *	4/1990	Pfeifer et al.	D14/151	D482,341 S *	11/2003	Jauregui et al.	D14/151
D316,411 S *	4/1991	Faliero	D14/147	D493,469 S *	7/2004	Hattori et al.	D14/468
D320,206 S *	9/1991	Graves et al.	D14/150	D496,015 S *	9/2004	Kettula et al.	D14/138 AA
D320,788 S *	10/1991	Grinyer	D14/151	D550,195 S *	9/2007	Ju	D14/151
D320,987 S *	10/1991	Grinyer	D14/151	D552,071 S *	10/2007	Park et al.	D14/151
D323,505 S *	1/1992	Faliero	D14/151	D559,225 S *	1/2008	Denhez et al.	D14/140
D325,915 S *	5/1992	Nagele et al.	D14/248	D575,262 S *	8/2008	Brown et al.	D14/151
D331,752 S *	12/1992	Kashiwabara et al.	D14/467	D575,263 S *	8/2008	Brown et al.	D14/151
D355,917 S *	2/1995	Grewe et al.	D14/248	D576,146 S *	9/2008	Brown et al.	D14/151
D372,025 S *	7/1996	Mo	D14/151	D582,886 S *	12/2008	Woo et al.	D14/151
D372,919 S *	8/1996	Nagele et al.	D14/248	D593,094 S *	5/2009	Chatterjee et al.	D14/402
D373,127 S *	8/1996	Godee et al.	D14/248	D608,773 S *	1/2010	Verthein et al.	D14/248
D373,772 S *	9/1996	Bennett et al.	D14/248	D609,212 S *	2/2010	Turnbull et al.	D14/151
D374,012 S *	9/1996	Bennett et al.	D14/248	D616,445 S *	5/2010	Wong et al.	D14/402
D374,875 S *	10/1996	Graves	D14/248	D616,843 S *	6/2010	Jones et al.	D14/130
D388,086 S *	12/1997	Constantine et al.	D14/150	D616,878 S *	6/2010	Jones et al.	D14/248
D426,821 S *	6/2000	Solomita et al.	D14/150	D638,817 S *	5/2011	Fleming et al.	D14/145
D430,152 S *	8/2000	Raz	D14/248	D667,380 S *	9/2012	Ishikawa et al.	D13/168
D430,560 S *	9/2000	Carazon Climent	D14/248	D680,093 S *	4/2013	Sauvage	D14/142
				D710,362 S *	8/2014	Kaminsky et al.	D14/426
				2005/0069126 A1 *	3/2005	Xue	379/454
				2006/0058003 A1 *	3/2006	Lee	455/403

* cited by examiner

FIG. 1

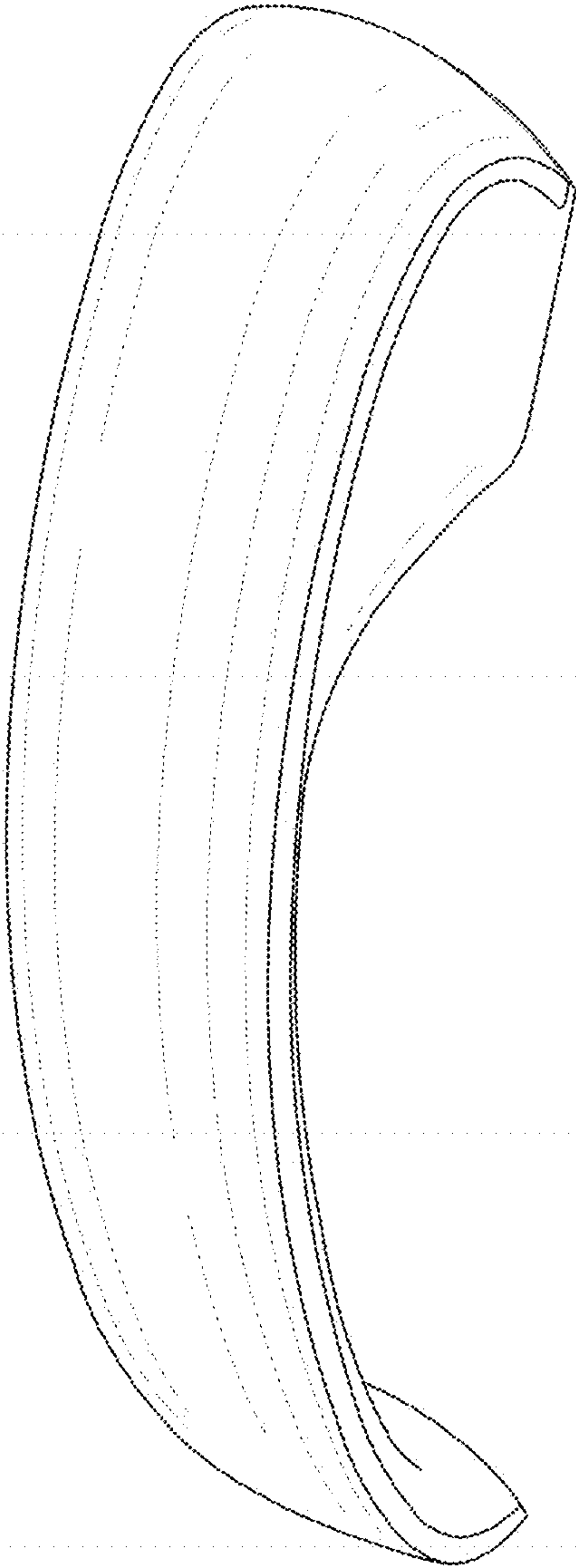


FIG.2

FIG.3

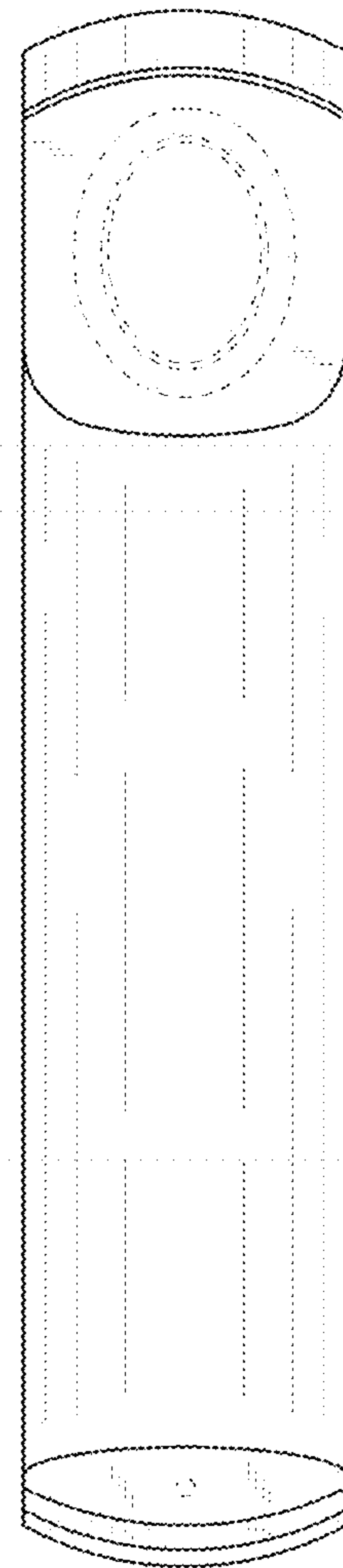
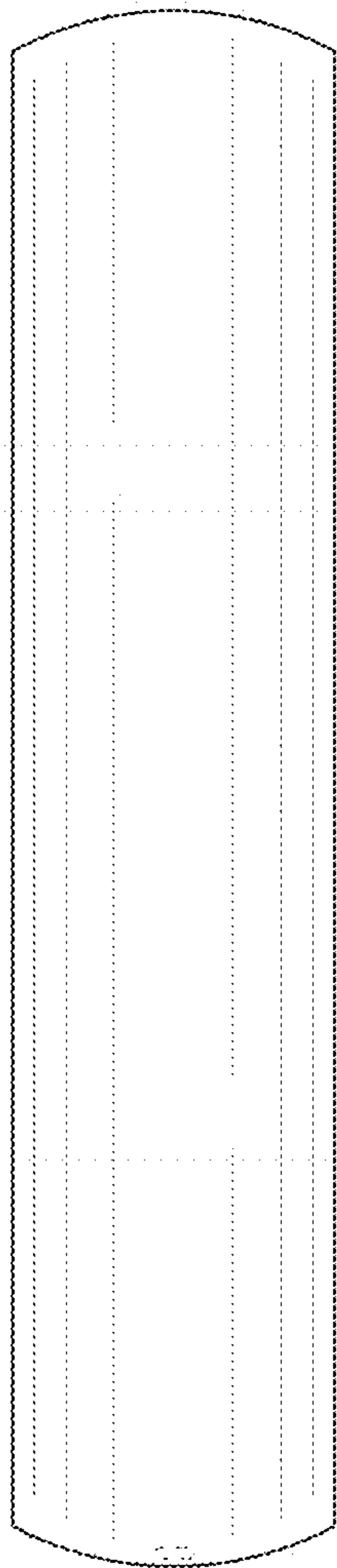


FIG.4

FIG.5

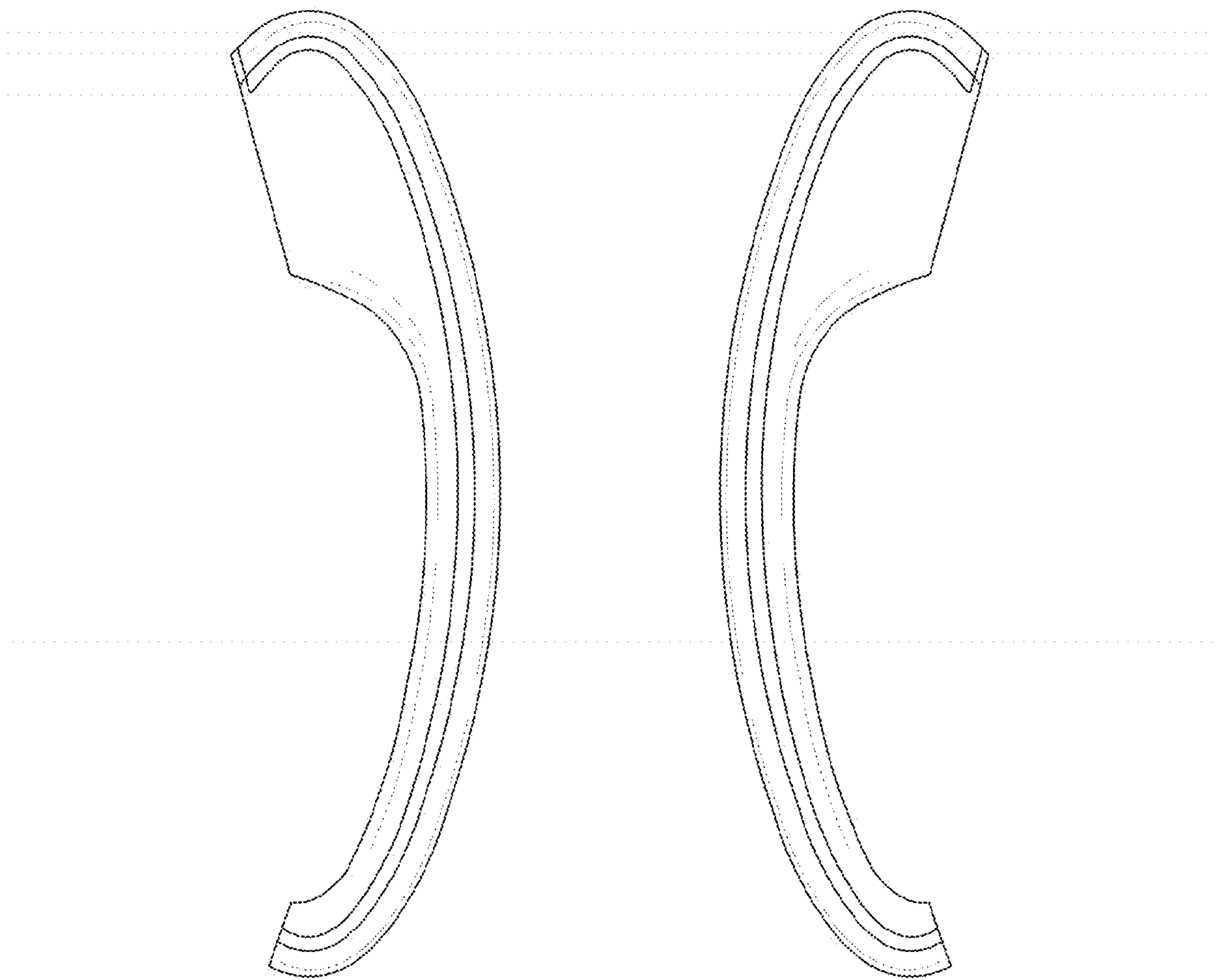


FIG.6

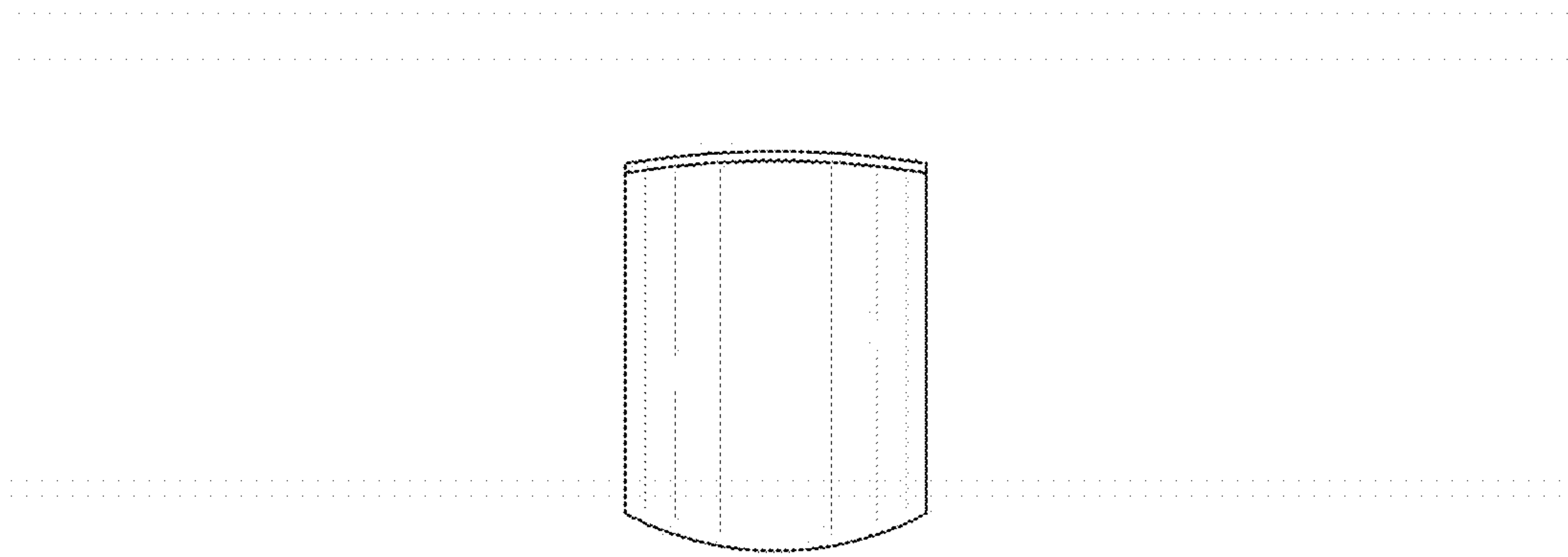


FIG.7

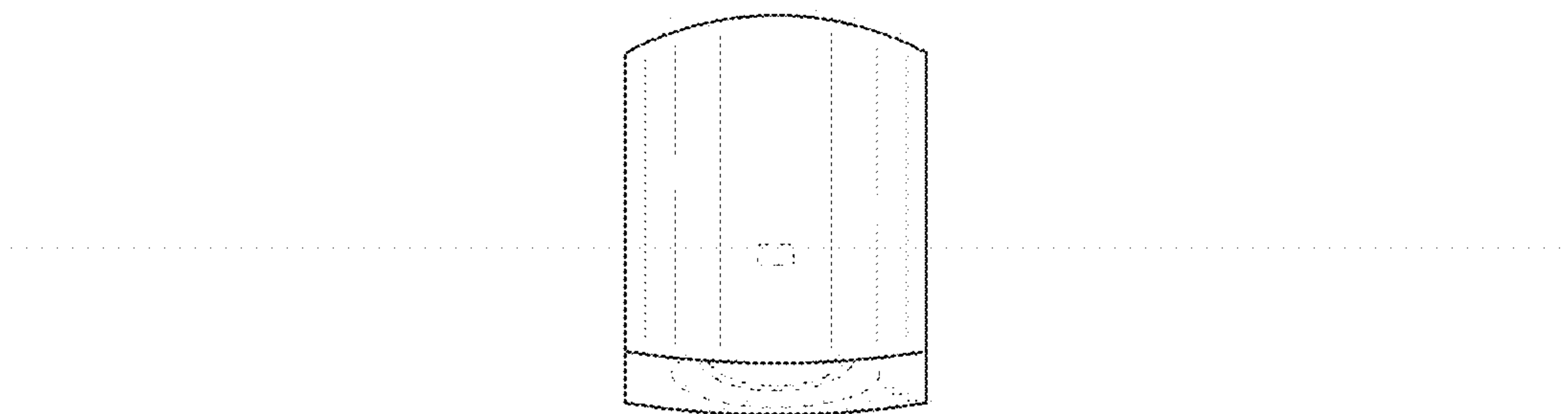


FIG.8

