



US00D734305S

(12) **United States Design Patent**
Wengreen

(10) **Patent No.:** **US D734,305 S**
(45) **Date of Patent:** **** Jul. 14, 2015**

(54) **MOUNT FOR ELECTRONIC DEVICES**
(71) Applicant: **Innovelis, Inc.**, Sammamish, WA (US)
(72) Inventor: **Eric John Wengreen**, Sammamish, WA (US)
(73) Assignee: **Innovelis, Inc.**, Sammamish, WA (US)
(**) Term: **14 Years**

D242,766 S * 12/1976 Neece D8/354
4,158,450 A * 6/1979 Suzuki 248/694
4,467,244 A * 8/1984 Dickie 315/3
4,602,761 A 7/1986 Carter
4,697,780 A 10/1987 Wenkman
4,746,042 A 5/1988 King
4,771,927 A 9/1988 Ventura
4,825,590 A 5/1989 Cullinane
4,826,115 A 5/1989 Novitski
4,840,773 A 6/1989 Wade

(Continued)

(21) Appl. No.: **29/487,748**

(22) Filed: **Apr. 11, 2014**

(51) **LOC (10) Cl.** **14-01**

(52) **U.S. Cl.**

USPC **D14/238.1**; D14/238; D8/349

(58) **Field of Classification Search**

USPC D8/380, 349, 381, 373, 354, 363, 355;
D14/432, 434, 447, 357, 299, 496,
D14/203.1-203.8, 238.1; 224/246, 250,
224/269, 901.4, 930, 669, 242; 248/127,
248/307, 309.1, 918; 348/836, 843, 373,
348/376, 825

CPC H05K 5/0204; H05K 7/14; F16M 13/02;
H04N 5/655; H04N 5/64; G06F 1/1601;
G06F 1/16; A45F 5/00; A45F 5/021; A45F
2200/0516; A45F 2200/0508; A45F
2200/0525

See application file for complete search history.

(56) **References Cited**

U.S. PATENT DOCUMENTS

1,618,573 A 2/1927 Cole
2,584,646 A 2/1952 Wagstaff
3,091,378 A 5/1963 O'Dwyer
3,176,950 A 4/1965 Hittesdorf
3,279,009 A 10/1966 Teasdale
3,294,298 A 12/1966 Danielson
3,477,679 A 11/1969 Lovitz
3,990,617 A 11/1976 Carter

OTHER PUBLICATIONS

Out of Sight Bracket—Website Part 1 (downloaded on Nov. 13, 2013 from http://www.outofsightbracket.com/OutOfSightBracket/Out_of_Sight_Bracket_for_Apple_TV.html). The website says the Out of Sight Bracket is “Patent Pending.” The Out of Sight Bracket might have been made by Gordon H. Beckhart.

(Continued)

Primary Examiner — Mark Goodwin

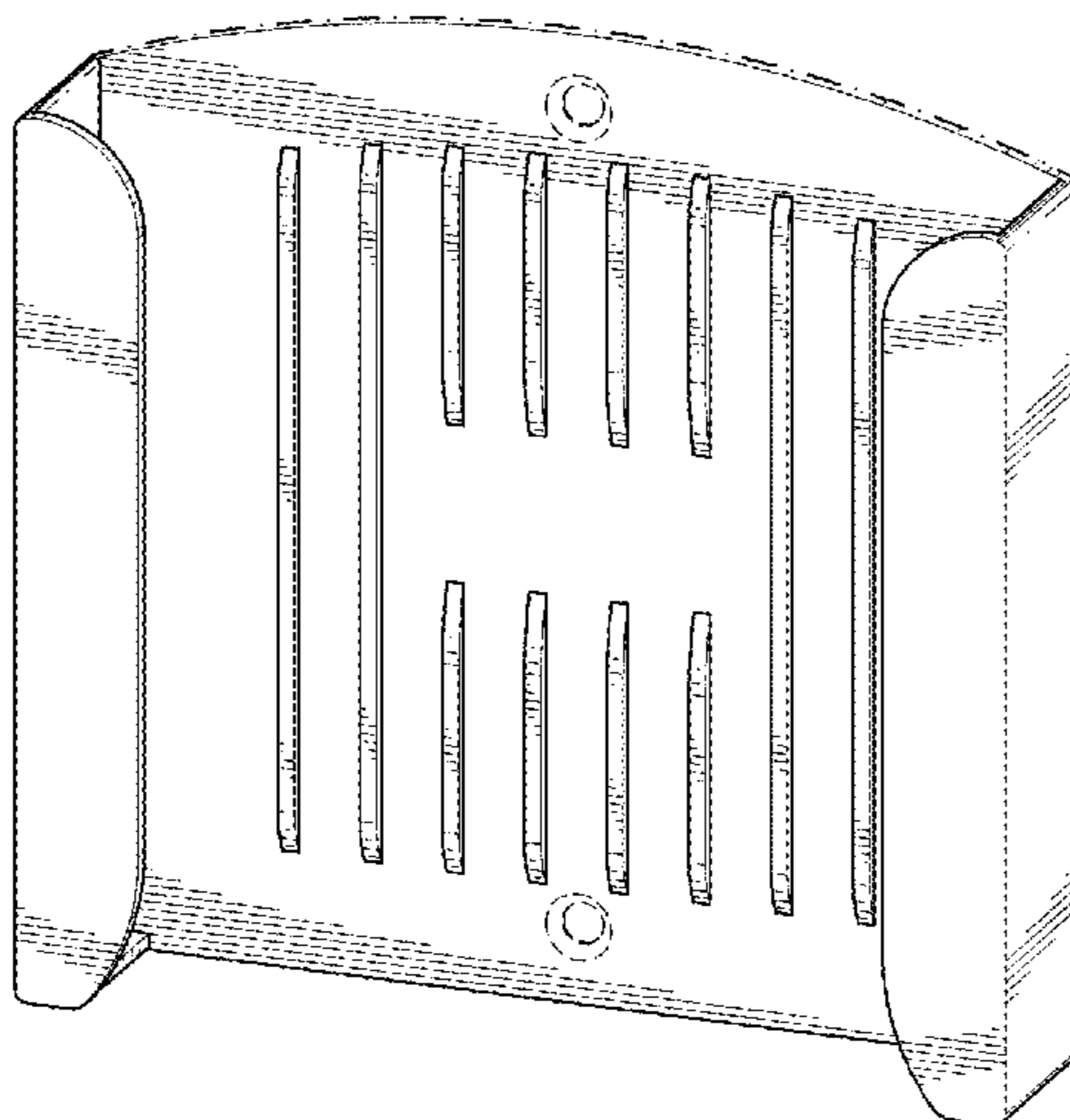
(57) **CLAIM**

The ornamental design for a mount for electronic devices, as shown and described.

DESCRIPTION

FIG. 1 is a front, side, and top perspective view of a mount for electronic devices showing my new design.
FIG. 2 is a back, side, and bottom perspective view thereof.
FIG. 3 is a front view thereof.
FIG. 4 is a back view thereof.
FIG. 5 is a top view thereof.
FIG. 6 is a bottom view thereof; and,
FIG. 7 is a first side view thereof, the second side view being a mirror image.
The dot-dash lines form an unclaimed boundary of the claim. The dot-dash lines and the other broken lines form no part of the claimed design.

1 Claim, 3 Drawing Sheets



(56)

References Cited

U.S. PATENT DOCUMENTS

4,852,843 A 8/1989 Chandler
 4,974,764 A 12/1990 Cantwell
 5,038,985 A 8/1991 Chapin
 5,092,395 A 3/1992 Amidzich
 5,227,582 A * 7/1993 Velasco et al. 174/372
 5,273,690 A 12/1993 McDowell
 5,297,318 A 3/1994 Adolphson
 D351,341 S 10/1994 Hung
 5,385,282 A * 1/1995 Chen 224/669
 5,400,990 A 3/1995 Frankel
 D359,616 S * 6/1995 Ishibashi et al. D3/218
 5,535,093 A 7/1996 Noguchi
 5,593,124 A 1/1997 Wang
 5,619,395 A 4/1997 McBride
 5,619,774 A 4/1997 Perry
 D388,107 S 12/1997 Huckins
 5,850,998 A 12/1998 Parsey
 D409,079 S * 5/1999 Sobczynski D8/354
 5,899,371 A 5/1999 Weliver
 5,914,707 A 6/1999 Kono
 5,961,083 A 10/1999 Hartmann
 5,979,724 A 11/1999 Loewenthal
 6,102,660 A 8/2000 Lee
 6,105,923 A 8/2000 Robertson
 6,193,546 B1 * 2/2001 Sadler 439/534
 D443,493 S 6/2001 Skeem
 6,275,885 B1 8/2001 Chin
 6,336,615 B1 1/2002 Jeon
 D456,413 S 4/2002 Malson
 6,554,527 B1 * 4/2003 O'Donnell et al. 403/353
 6,560,983 B1 5/2003 Schimmeyer
 6,691,374 B2 2/2004 Coyne
 6,888,940 B1 5/2005 Deppen
 D508,605 S * 8/2005 Hwang et al. D3/218
 6,939,641 B2 9/2005 Kincaid
 7,047,601 B1 5/2006 Vernon-Woods
 7,079,384 B2 7/2006 Wang
 7,113,218 B2 9/2006 Battles
 D529,713 S * 10/2006 Guyot et al. D3/218
 7,145,603 B2 12/2006 Whitby
 D535,826 S 1/2007 Toghanian
 D536,239 S * 2/2007 Tallman D8/354
 7,222,762 B2 5/2007 Rees
 D545,343 S 6/2007 Braun
 D560,411 S 1/2008 Chung
 D565,399 S 4/2008 Grey
 7,367,089 B2 5/2008 Cooke
 D570,801 S 6/2008 Allen
 D598,945 S 8/2009 Gillespie
 7,580,255 B2 8/2009 Crooijmans
 D609,030 S * 2/2010 Barabas et al. D14/238
 D624,949 S 10/2010 Nakayama
 D625,729 S 10/2010 McNames
 7,854,420 B2 12/2010 Depay
 D633,503 S 3/2011 Bo
 7,959,121 B1 6/2011 Barnes
 7,980,435 B2 * 7/2011 Tages 224/269
 D657,362 S 4/2012 Lister
 D662,491 S 6/2012 Andre
 D667,411 S 9/2012 Kim
 8,544,805 B2 10/2013 Virgin
 2005/0023419 A1 * 2/2005 Frankel 248/206.3
 2005/0236541 A1 10/2005 Chang
 2007/0097617 A1 * 5/2007 Searby et al. 361/686
 2007/0235609 A1 * 10/2007 Chun et al. 248/231.9
 2007/0264169 A1 11/2007 Chen
 2008/0078793 A1 4/2008 Brown
 2009/0218454 A1 9/2009 Stanley
 2010/0288895 A1 11/2010 Shamie
 2010/0314277 A1 12/2010 Murray
 2012/0126081 A1 5/2012 Wengreen

2012/0127379 A1 5/2012 Wengreen
 2012/0312950 A1 * 12/2012 Sears 248/316.5

OTHER PUBLICATIONS

Out of Sight Bracket—Website Part 2 (downloaded on Nov. 13, 2013 from http://www.outofsightbracket.com/OutOfSightBracket/How_to_mount_your_Apple_TV_or_AirPort_Express.html). The website says the Out of Sight Bracket is “Patent Pending.” The Out of Sight Bracket might have been made by Gordon H. Beckhart.
 Out of Sight Bracket—Website Part 3 (downloaded on Nov. 13, 2013 from <http://www.soundandvision.com/content/bracket-keeps-apple-airport-express-and-apple-tv-out-sight>).
 TV Tray—Website (downloaded on Nov. 13, 2013 from <http://h-sq.com/products/tvtray/>).
 TV Tray—Installation Guide (downloaded on Nov. 13, 2013 from http://www.h-sq.com/downloads/tvtx_ug.pdf).
 Cosmos Tray—Website (downloaded on Nov. 13, 2013 from http://www.amazon.com/Cosmos-MD199LL-AirPort-Express-Station/dp/B00C2JNGB2/ref=sr_1_4?ie=UTF8&qid=1384406376&sr=8-4&keywords=apple+tv+mount).
 CTA Digital—Website (downloaded on Nov. 13, 2013 from <http://www.ctadigital.com/downloads/KIN-WMC-final.pdf>).
 PDP Mounting Clip—Part 1 (downloaded on Nov. 13, 2013 from <http://www.amazon.com/Kinect-Sensor-TV-Mounting-Clip-Xbox/dp/B004XV6ST4>).
 PDP Mounting Clip—Part 2 (downloaded on Nov. 13, 2013 from http://www.microsoftstore.com/store/msusa/en_US/pdp/Kinect-Sensor-TV-Mounting-Clip/productID.253726200).
 PDP Mounting Clip—Part 3 (downloaded on Nov. 13, 2013 from <http://www.bestbuy.com/site/pdp-sensor-mounting-clip-for-kinect/3521258.p?id=1218408957863&skuId=3521258>).
 ScreenDeck (downloaded on Nov. 13, 2013 from http://news.cnet.com/8301-17938_105-20071226-1/screendeck-adds-top-shelf-to-your-flat-panel-tv/).
 Center Stage Bracket—Part 1 (downloaded on Nov. 13, 2013 from <http://www.bestbuy.com/site/center-stage-bracket-satellite-center-channel-speaker-shelf-bracket-black/5857191.p?id=1218697292805&skuId=5857191>).
 Center Stage Bracket—Part 2 (downloaded on Nov. 13, 2013 from <http://www.bestbuy.com/site/center-stage-bracket-satellite-center-channel-speaker-shelf-bracket-black/5857191.p?id=1218697292805&skuId=5857191>).
 DreamGear TriMount (downloaded on Nov. 14, 2013 from <http://www.dreamgear.net/shop-by-platform/universal/trimount.html>).
 Medialink router (downloaded on Jan. 2, 2014 from http://www.medialinkproducts.com/docs/MWN-WAPR150N_User_Guide.pdf).
 Cisco router wall mounting instructions (downloaded on Jan. 2, 2014 from <http://www.cisco.com/en/US/docs/routers/access/1800/1841/hardware/installation/guide/18inst.pdf>).
 Cisco wall mounting bracket (downloaded on Jan. 2, 2014 from <http://www.cisco.com/en/US/docs/routers/access/800/806/hardware/installation/guide/install.pdf>).
 Netgear ProSafe (downloaded on Jan. 2, 2014 from http://www.storagereview.com/netgear_prosafe_wndap660_dualband_wireless_access_point_review) article includes a date of Dec. 21, 2012.
 Wireless router picture (downloaded on Jan. 2, 2014 from <http://www.techwarelabs.com/wp-content/gallery/engienus-esr9850-wireless-router/router-bottom.jpg>).
 Apple TV, downloaded on Feb. 3, 2014 from <http://www.apple.com/appletv/what-is/>.
 Roku media players—Part 1, downloaded on Feb. 3, 2014 from <http://www.roku.com/products/roku-2>.
 Roku media players—Part 2, downloaded on Feb. 3, 2014 from <http://www.roku.com/products/compare>.
 Innovelis, Inc. Product—TotalMount—Apple TV Mounting Kit, downloaded from Amazon.com on Feb. 3, 2014, first available on Amazon.com on Jun. 22, 2011: http://www.amazon.com/TotalMount-Apple-Universal-Mounting-Kit/dp/B0057CVH6W/ref=sr_1_1?ie=UTF8&qid=1391473446&sr=8-1&keywords=TOTALMOUNT.

(56)

References Cited

OTHER PUBLICATIONS

Innovelis, Inc. Product—TotalMount—Roku Mounting Kit, downloaded from Amazon.com on Feb. 3, 2014, first available on Amazon.com on Jun. 14, 2012: http://www.amazon.com/TotalMount-ROKU-UNIVERSAL-MOUNTING-Compatible/dp/B008B1125W/ref=sr_1_2?ie=UTF8&qid=1391473922&sr=8-2&keywords=totalmount.

Innovelis, Inc. Product—TotalMount—Remote Holder, downloaded from Amazon.com on Feb. 3, 2014, first available on Amazon.com on Jul. 2, 2013: http://www.amazon.com/Apple-TV-Remote-Holder-TotalMount/dp/B00DR76YJO/ref=sr_1_3?ie=UTF8&qid=1391474218&sr=8-3&keywords=totalmount.

Innovelis, Inc. Product—TotalMount—AirPort Express Mounting Kit, downloaded from Amazon.com on Feb. 3, 2014, first available on Amazon.com in approximately Sep. 2012: http://www.amazon.com/TotalMount-AirPort-Express-Mounting-Kit/dp/B009HC7BL8/ref=sr_1_4?ie=UTF8&qid=1391474218&sr=8-4&keywords=totalmount.

Innovelis, Inc. Product—TotalMount—Roku Mounting Kit (Version 1), downloaded from Amazon.com on Feb. 3, 2014, first available on Amazon.com on Jan. 19, 2012: http://www.amazon.com/TotalMount-ROKU-MOUNTING-Compatible-Roku/dp/B006ZS4R46/ref=sr_1_5?ie=UTF8&qid=1391474218&sr=8-5&keywords=totalmount.

Innovelis, Inc. Product—TotalMount—AirPort Extreme Mounting Kit, downloaded from Amazon.com on Feb. 3, 2014, first available on Amazon.com in approximately Apr. 2013: http://www.amazon.com/TotalMount-Compatible-generations-compatible-generation/dp/B00CK2CDLK/ref=sr_1_7?ie=UTF8&qid=1391474218&sr=8-7&keywords=totalmount.

Innovelis, Inc. Product—TotalMount—Vizio Mounting Kit, downloaded from Amazon.com on Feb. 3, 2014, first available on Amazon.com in approximately May 2013: http://www.amazon.com/TotalMount-VIZIO-Co-Star-Mounting-Kit/dp/B00GDMXSZ8/ref=sr_1_10?ie=UTF8&qid=1391474218&sr=8-10&keywords=totalmount.

Amazon Fire TV, downloaded on Jun. 2, 2014 from <http://www.amazon.com/Fire-TV-streaming-media-player/dp/B00CX5P8FC>.

* cited by examiner

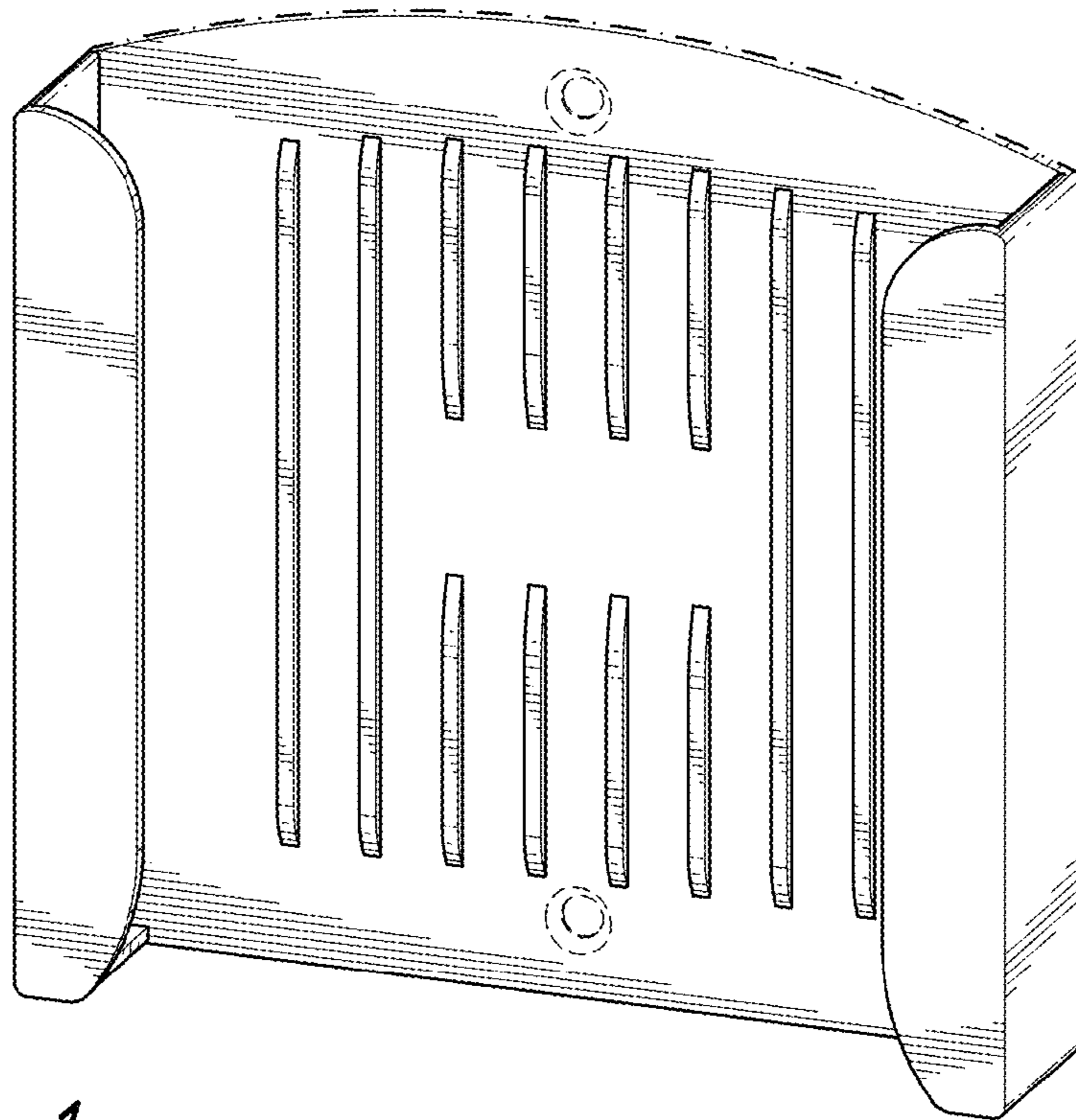


FIG. 1

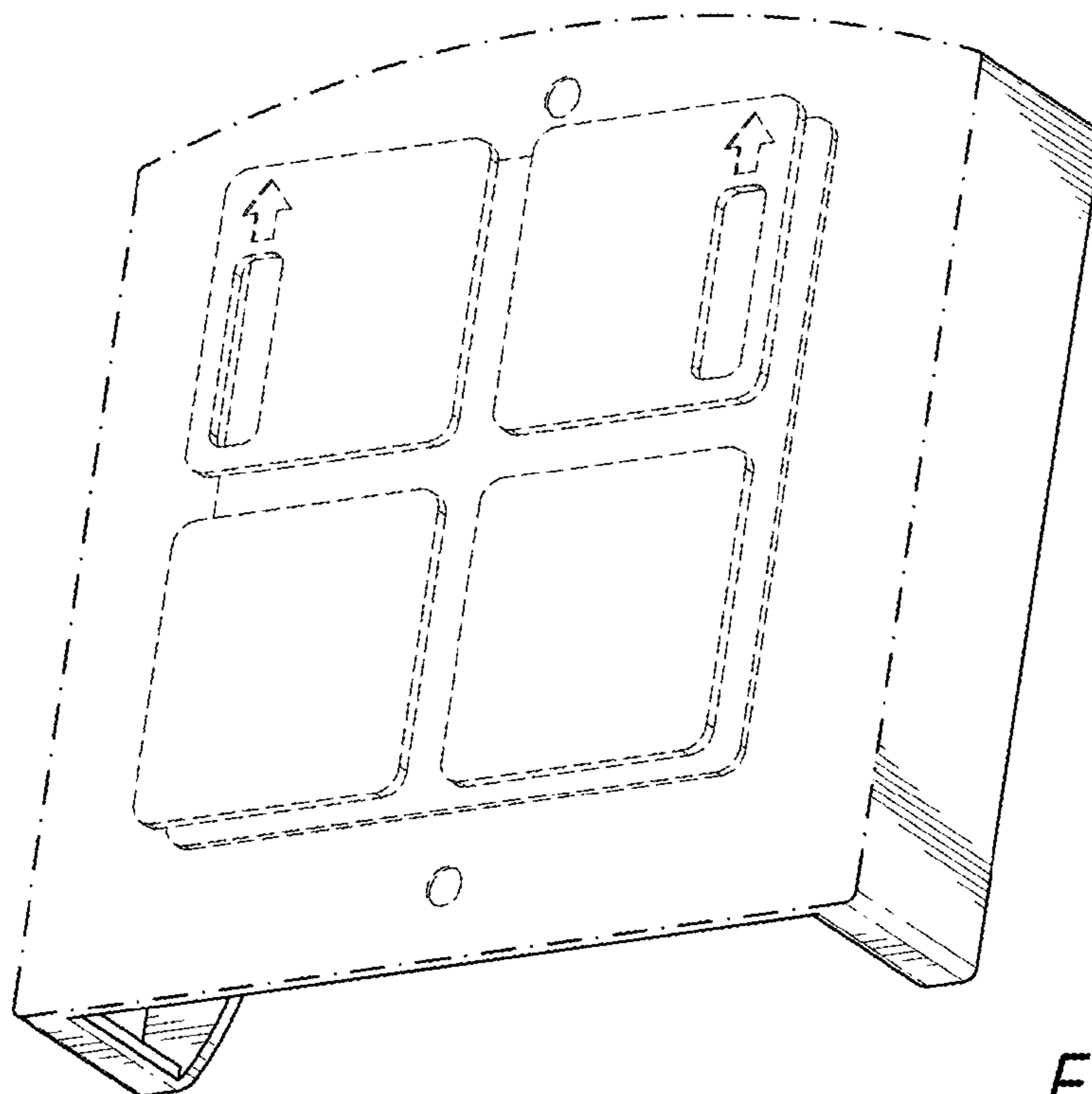


FIG. 2

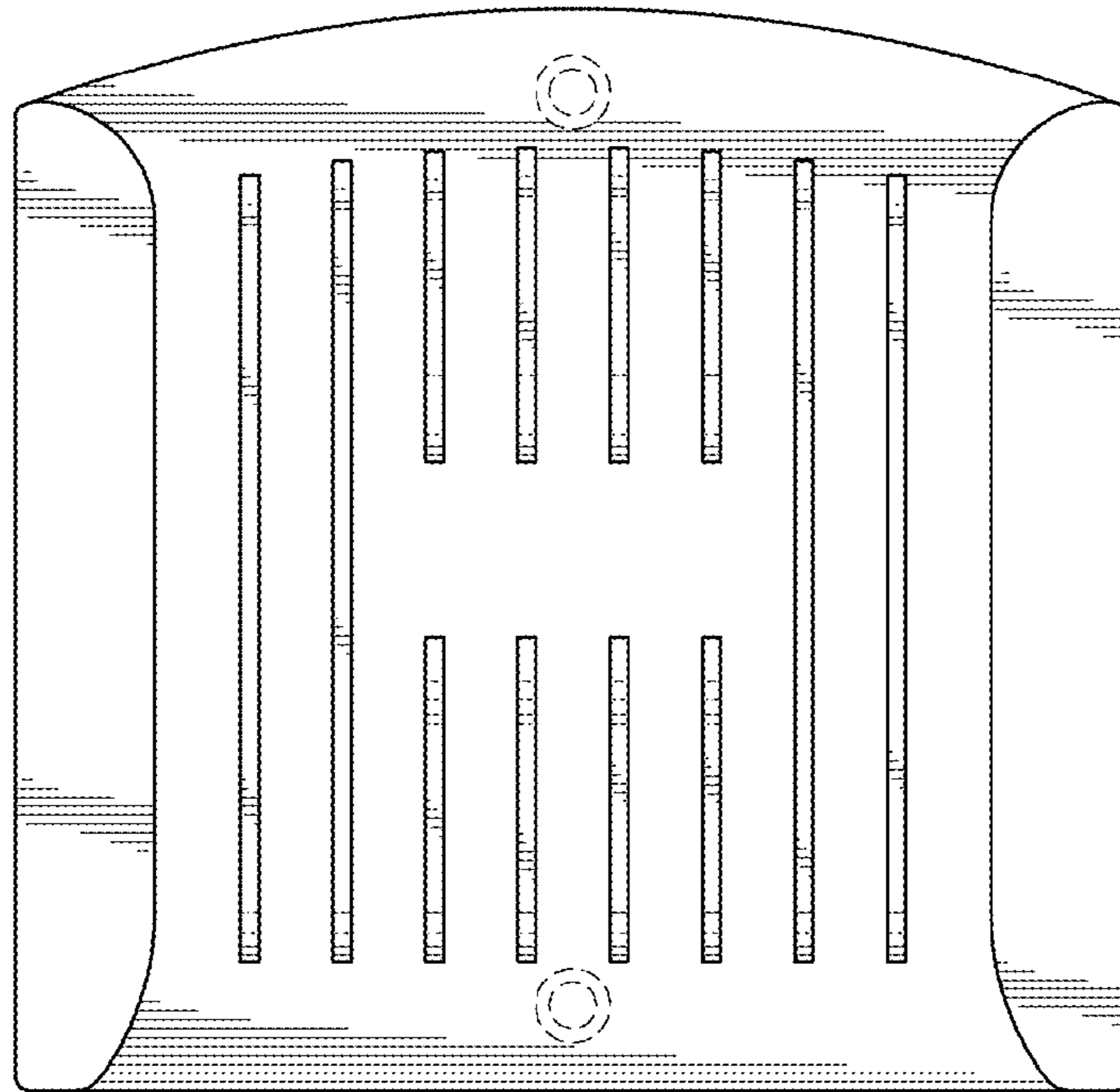


FIG. 3

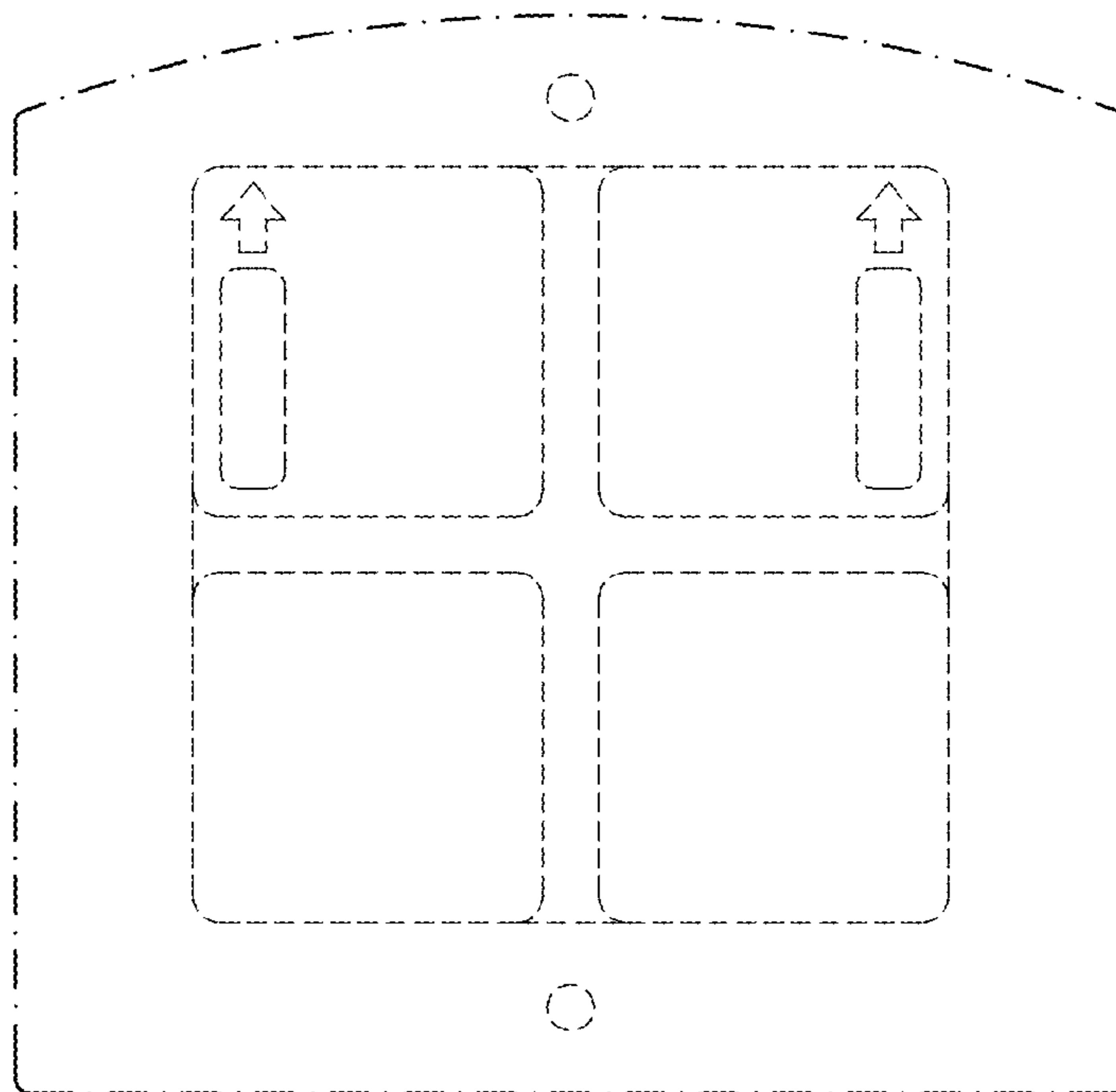


FIG. 4

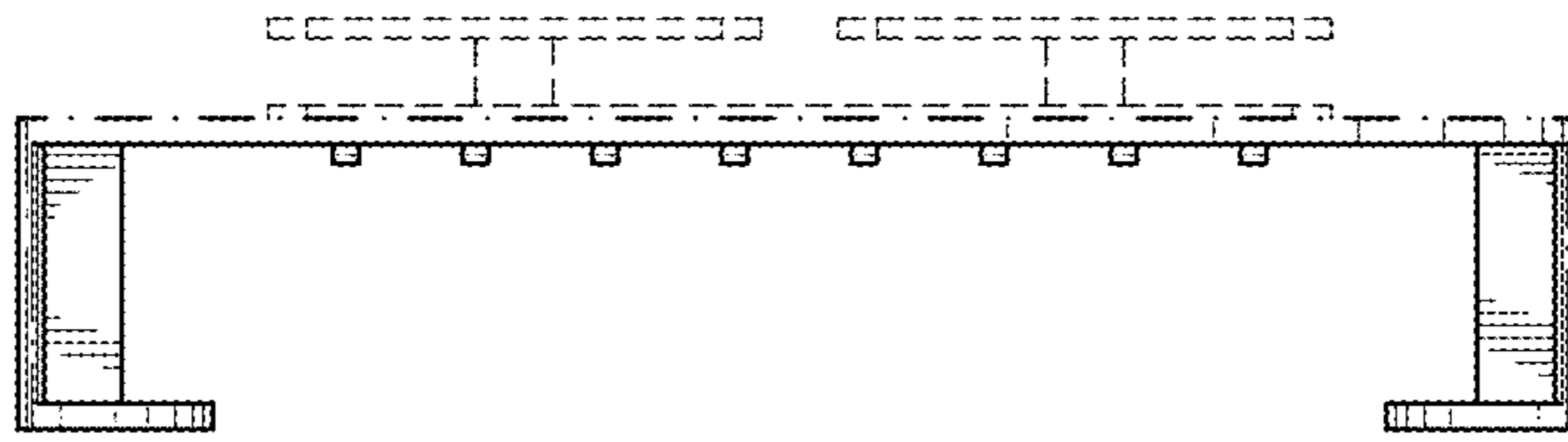


FIG. 5



FIG. 6

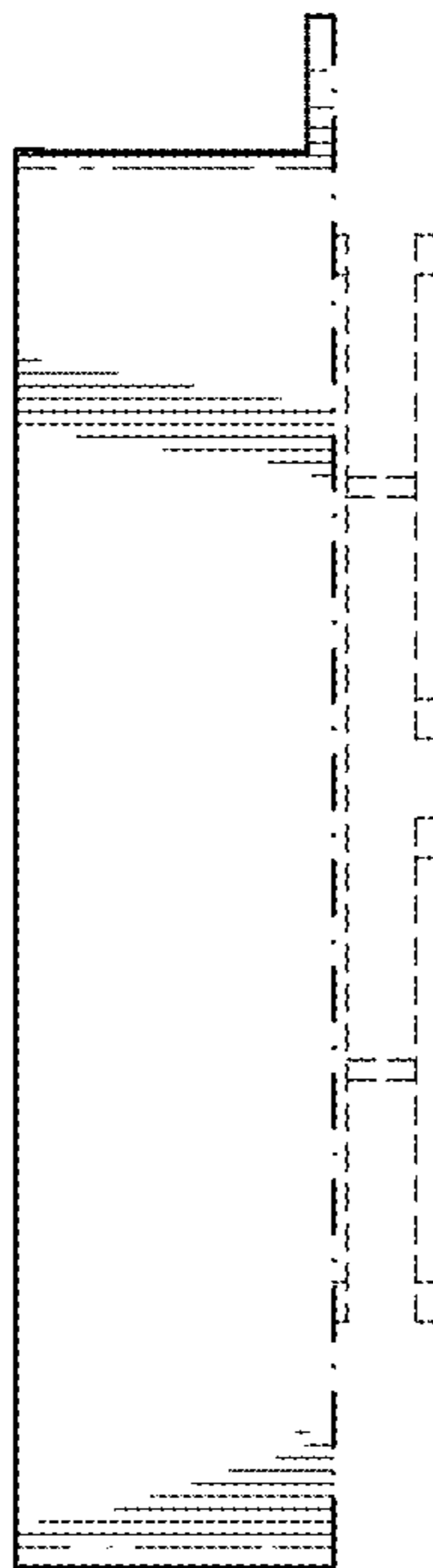


FIG. 7