



US00D734304S

(12) **United States Design Patent**
Derdzinski et al.

(10) **Patent No.:** **US D734,304 S**
(45) **Date of Patent:** **** Jul. 14, 2015**

(54) **SPEAKER MICROPHONE**

(56) **References Cited**

(71) Applicant: **OTTO Engineering, Inc.**,
Carpentersville, IL (US)

(72) Inventors: **Alan Edmund Derdzinski**, Belvidere,
IL (US); **Scott Ray Johansen**, Aurora,
IL (US); **Jeffrey Alan Kennedy**,
Algonquin, IL (US); **Joshua Britton**
Wawak, Algonquin, IL (US);
Christopher Ole Yttri, Twin Lakes, WI
(US)

U.S. PATENT DOCUMENTS

D423,492 S * 4/2000 Renard D14/138 AA
D478,575 S * 8/2003 Lammers-Meis D14/230
D569,853 S * 5/2008 Nishida D14/225
7,676,246 B2 * 3/2010 Kreiter 455/556.2
D651,996 S * 1/2012 Wilson et al. D14/137
8,254,618 B2 * 8/2012 Babasaki 381/361
D674,765 S * 1/2013 Hou D14/198
D717,291 S * 11/2014 Klein D14/255
D718,746 S * 12/2014 Tran et al. D14/226

FOREIGN PATENT DOCUMENTS

KR 3020080001587 * 11/2008

* cited by examiner

Primary Examiner — Susan Bennett Hattan

Assistant Examiner — Leanne Was

(74) *Attorney, Agent, or Firm* — McAndrews, Held & Malloy, Ltd.

(73) Assignee: **OTTO ENGINEERING, INC.**,
Carpentersville, IL (US)

(**) Term: **14 Years**

(21) Appl. No.: **29/494,234**

(22) Filed: **Jun. 18, 2014**

(51) **LOC (10) Cl.** **14-01**

(52) **U.S. Cl.**
USPC **D14/225**

(58) **Field of Classification Search**
USPC D10/104.1; D13/168; D14/137, 139,
D14/155, 157, 188, 192, 204, 210, 214, 217,
D14/225, 226, 229, 496; D21/483; 181/158,
181/242; 379/185, 187, 420.04, 428.01,
379/432, 433.01, 433.03, 433.06, 437-440,
379/442; 381/122, 163, 355; 455/95, 100,
455/575.1, 575.9

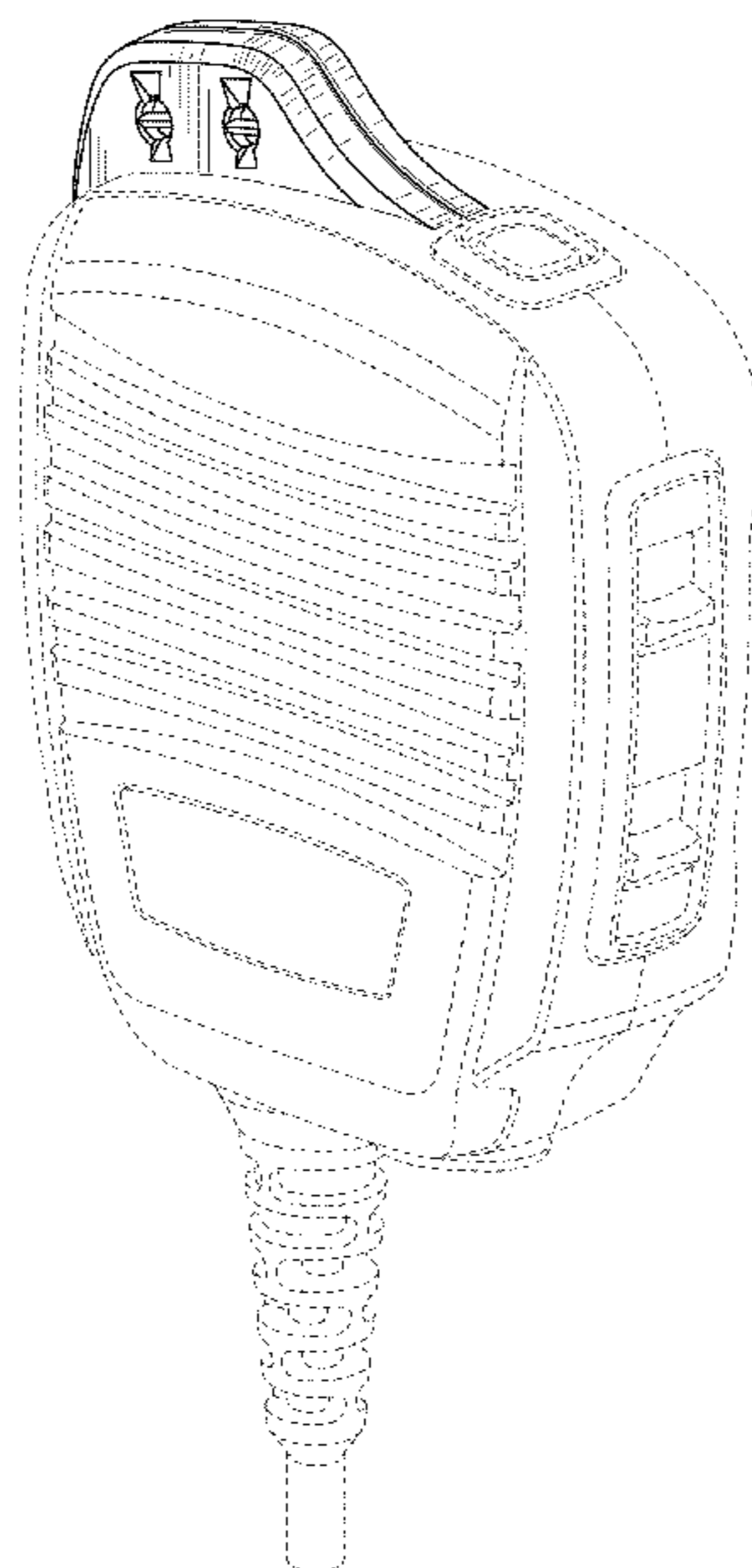
See application file for complete search history.

(57) **CLAIM**
The ornamental design for a speaker microphone, as shown and described.

DESCRIPTION

FIG. 1 is a front right perspective view of a speaker microphone showing our new design;
FIG. 2 is a front elevation view thereof;
FIG. 3 is a rear elevation view thereof;
FIG. 4 is a right-side elevation view thereof
FIG. 5 is a left-side elevation view thereof; and,
FIG. 6 is a top plan view thereof.
Dashed broken lines depict environment or structure that forms no part of the claimed design. Dash-dot-dash broken lines depict the limits of the Claim and form no part of the claimed design.

1 Claim, 5 Drawing Sheets



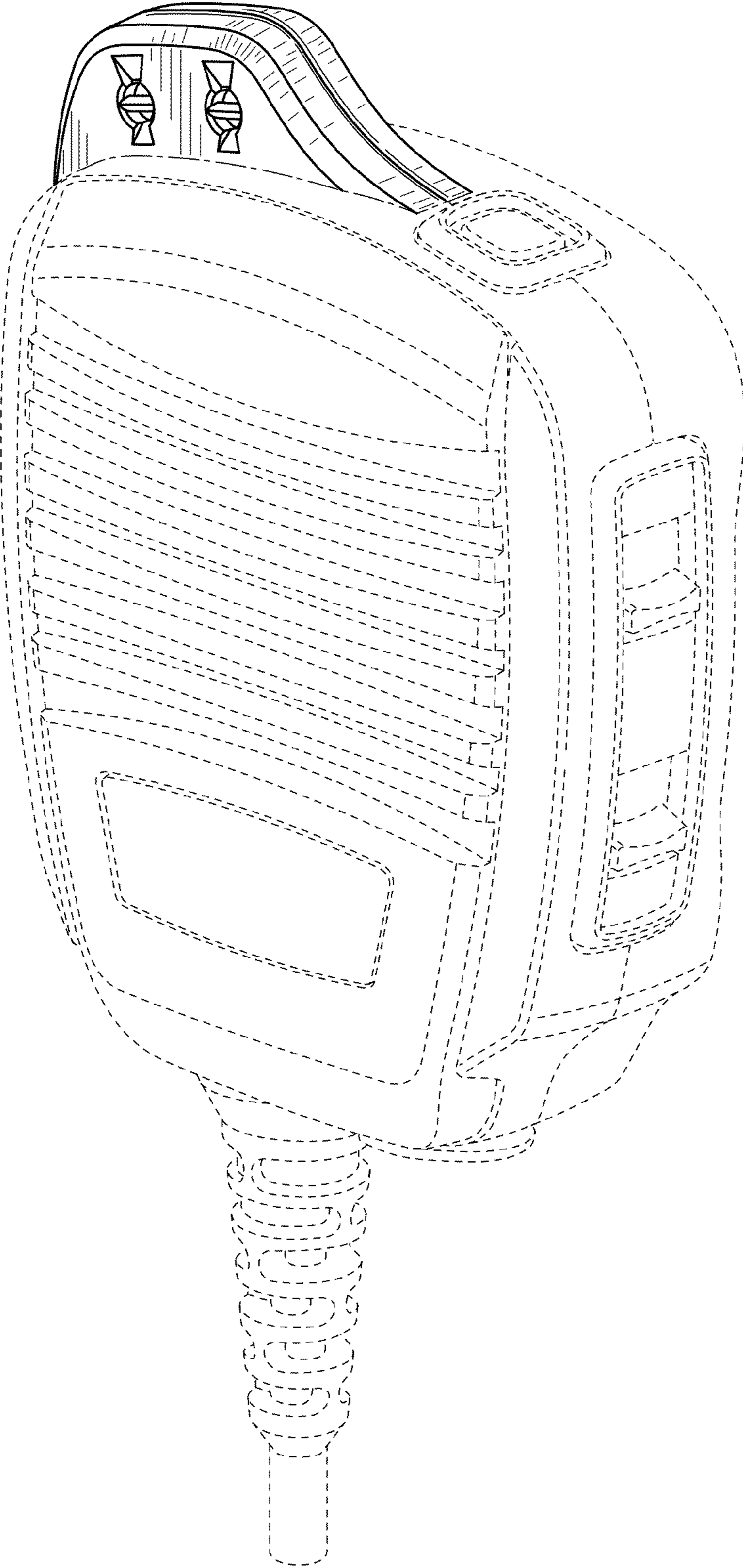


FIG. 1

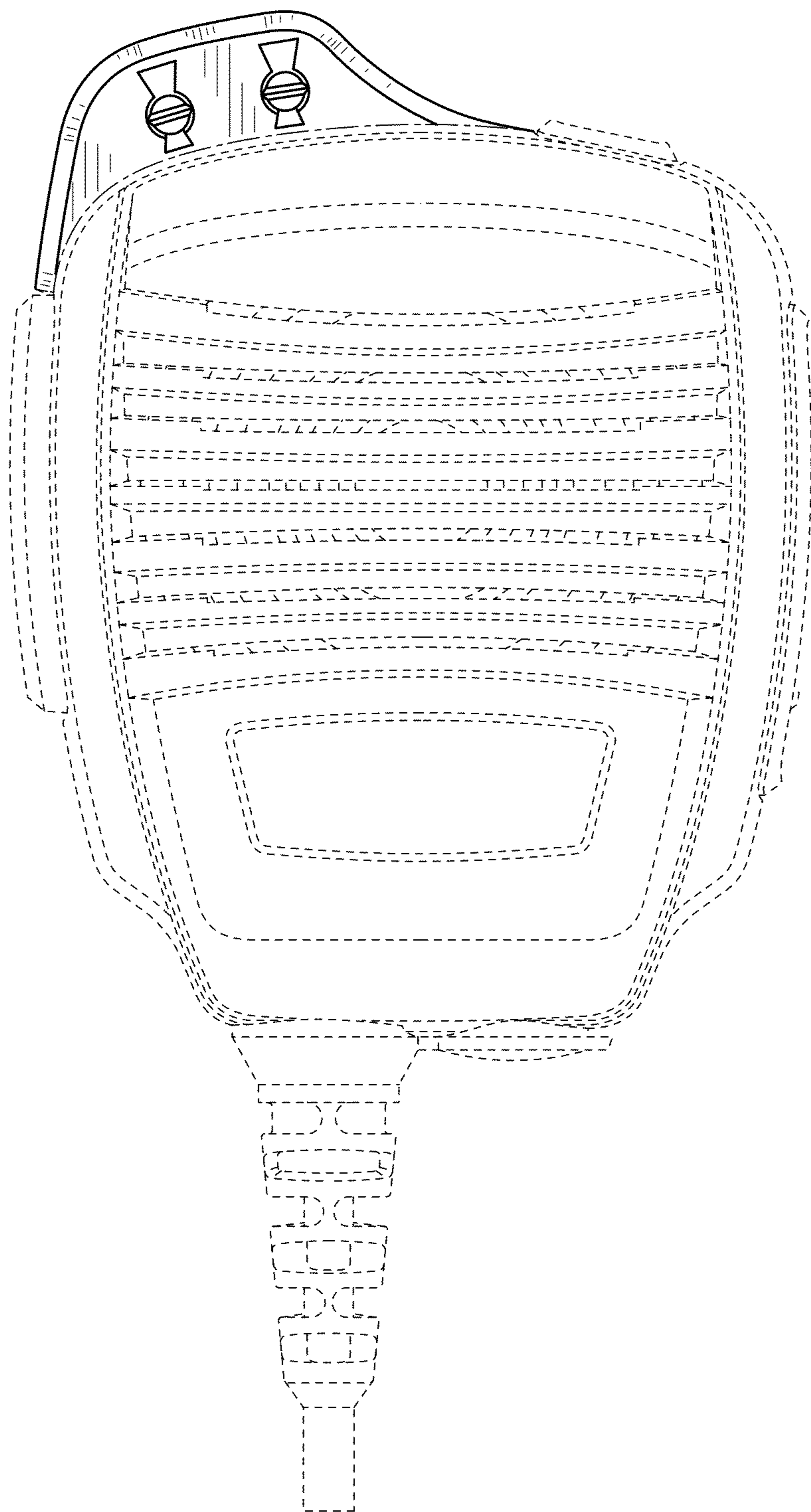


FIG. 2

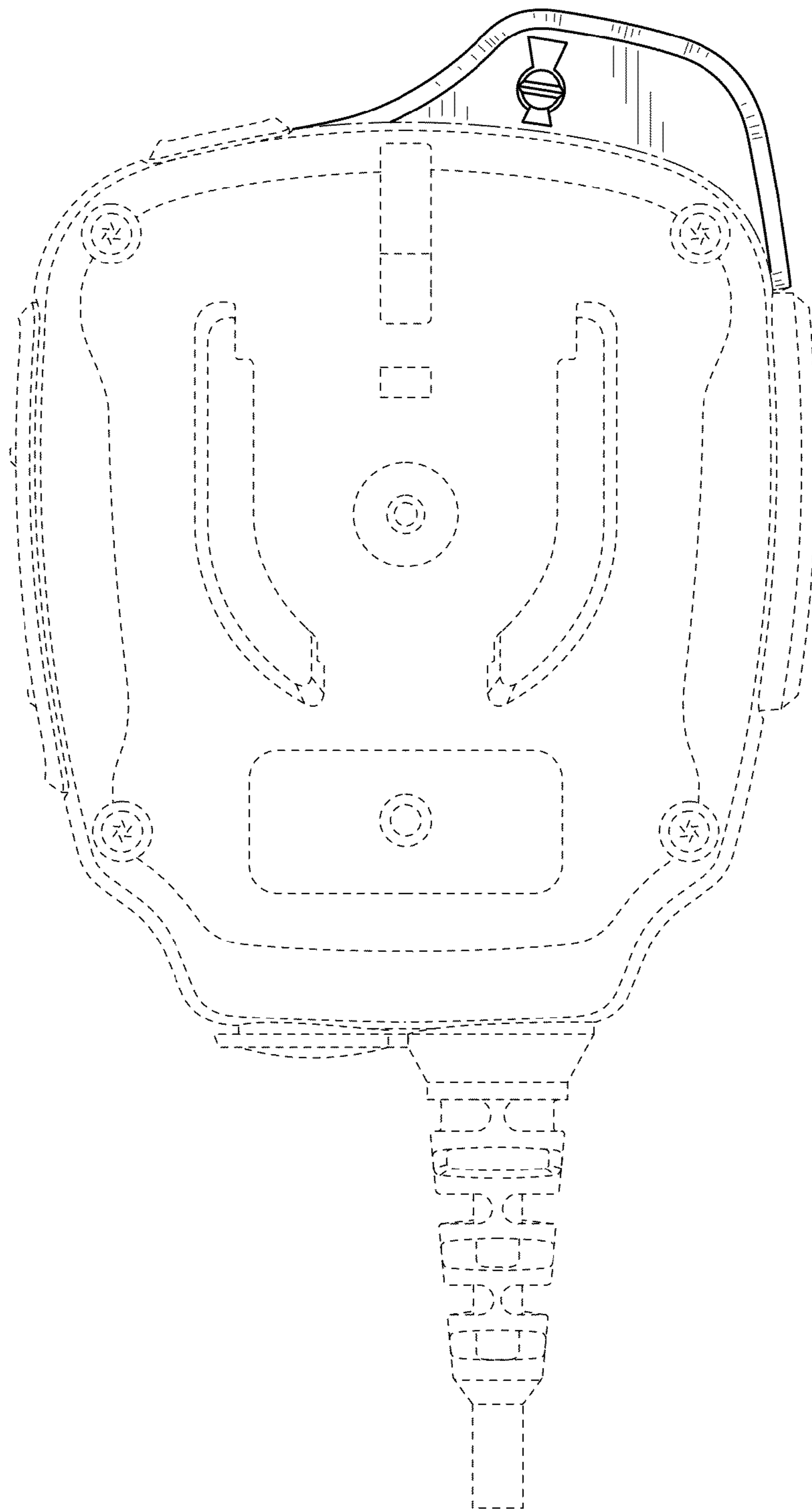


FIG. 3

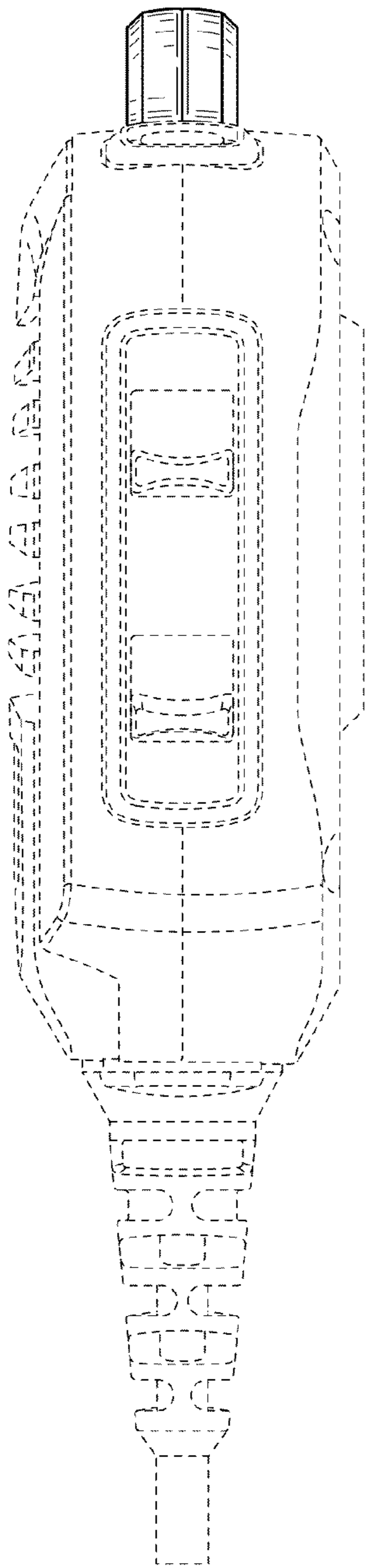


FIG. 4

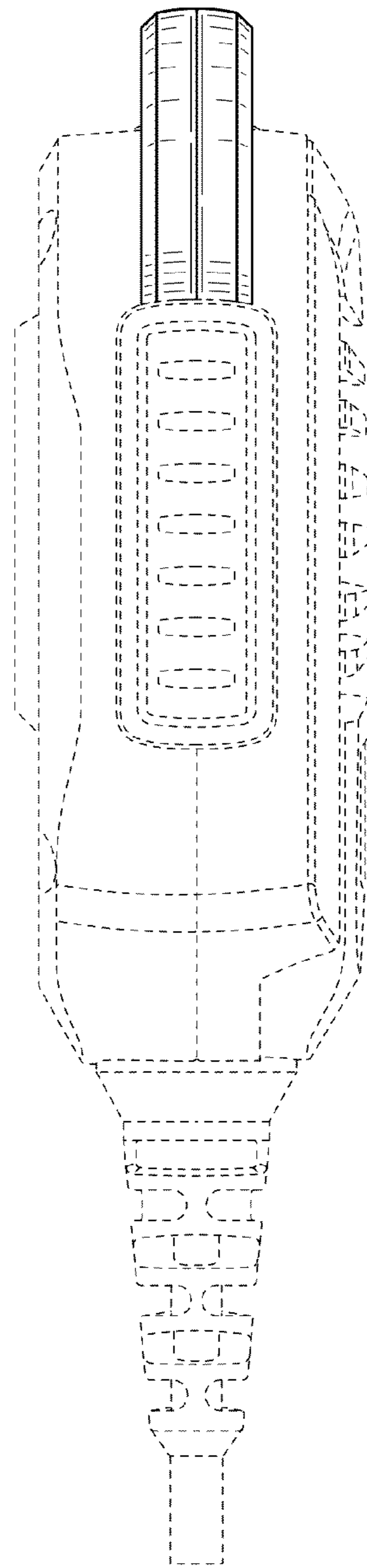


FIG. 5

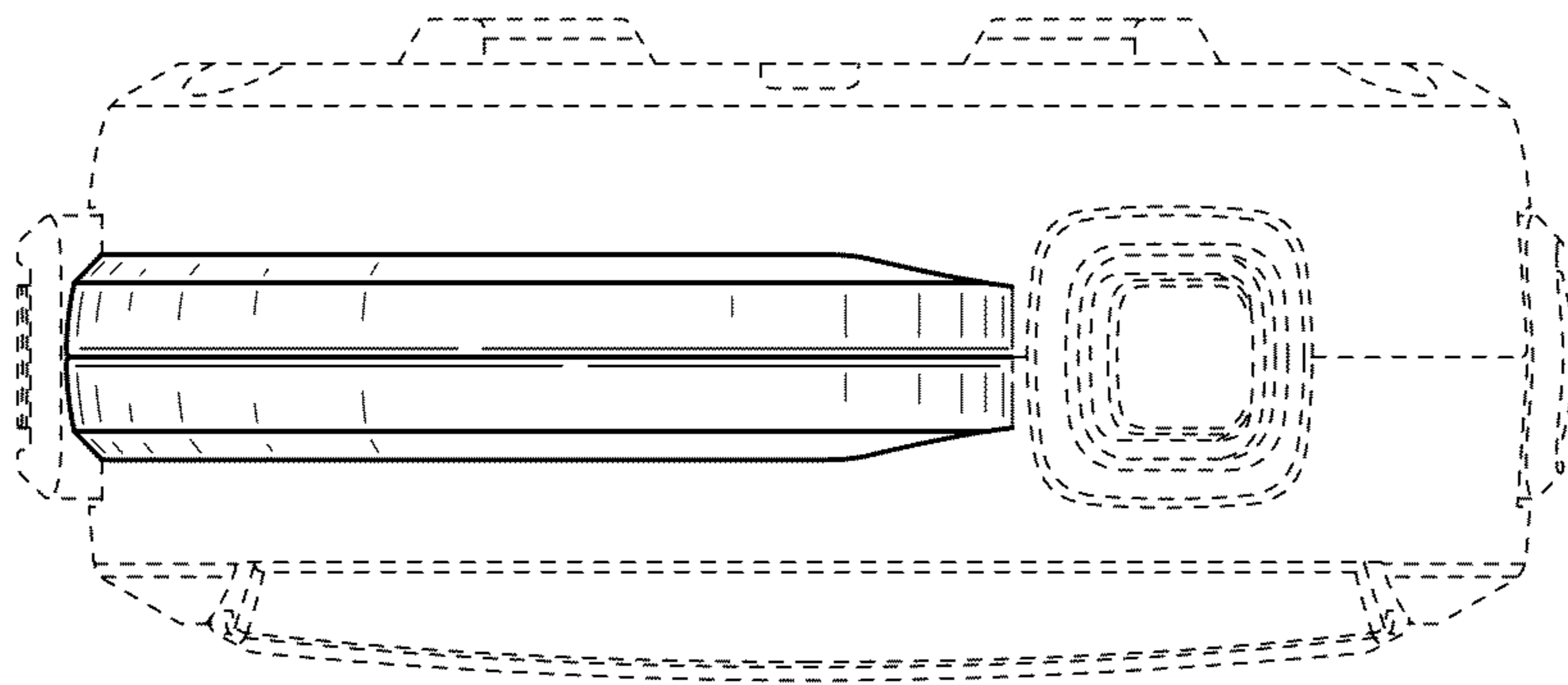


FIG. 6