



US00D734303S

(12) **United States Design Patent**  
**Kanou**

(10) **Patent No.:** **US D734,303 S**

(45) **Date of Patent:** **\*\* Jul. 14, 2015**

(54) **PORTION OF EARPHONE**

(71) Applicant: **JVC KENWOOD Corporation**,  
Yokohama-shi, Kanagawa (JP)

(72) Inventor: **Kenichi Kanou**, Yokohama (JP)

(73) Assignee: **JVC KENWOOD CORPORATION**,  
Yokohama-Shi, Kanagawa (JP)

(\*\*) Term: **14 Years**

(21) Appl. No.: **29/494,849**

(22) Filed: **Jun. 25, 2014**

(30) **Foreign Application Priority Data**

Mar. 31, 2014 (JP) ..... 2014-007015

(51) **LOC (10) CL.** ..... **14-01**

(52) **U.S. CL.**  
USPC ..... **D14/223**; D14/206

(58) **Field of Classification Search**  
USPC ..... D14/223, 206; D24/174; 128/864;  
181/129, 130, 135; 379/430, 431;  
381/380, 381; 455/90.3, 575.1, 569.1

CPC ..... H04R 1/10  
See application file for complete search history.

(56) **References Cited**

**U.S. PATENT DOCUMENTS**

|           |     |         |              |         |
|-----------|-----|---------|--------------|---------|
| 5,412,736 | A * | 5/1995  | Keliiliki    | 381/381 |
| D375,959  | S * | 11/1996 | Davis et al. | D14/223 |
| D445,415  | S * | 7/2001  | Jaakkola     | D14/223 |
| D460,749  | S * | 7/2002  | Liu          | D14/206 |
| D474,178  | S * | 5/2003  | Eroma        | D14/223 |
| D495,684  | S * | 9/2004  | Hirano       | D14/223 |
| D495,685  | S * | 9/2004  | Hirano       | D14/223 |
| D500,999  | S * | 1/2005  | Dyer et al.  | D14/223 |
| D504,673  | S * | 5/2005  | Dyer et al.  | D14/205 |
| D506,462  | S * | 6/2005  | Han et al.   | D14/205 |

|              |      |         |                 |         |
|--------------|------|---------|-----------------|---------|
| D506,994     | S *  | 7/2005  | Olson et al.    | D14/223 |
| D512,984     | S *  | 12/2005 | Ham             | D14/205 |
| D527,377     | S *  | 8/2006  | Darbut          | D14/223 |
| D575,772     | S *  | 8/2008  | Schultz et al.  | D14/223 |
| 7,648,005    | B2 * | 1/2010  | Leong et al.    | 181/135 |
| D617,778     | S *  | 6/2010  | Birger          | D14/223 |
| D625,297     | S *  | 10/2010 | Tseng et al.    | D14/223 |
| 7,841,446    | B2 * | 11/2010 | Leong et al.    | 181/135 |
| D635,960     | S *  | 4/2011  | Gondo et al.    | D14/223 |
| 7,983,437    | B2 * | 7/2011  | Wong et al.     | 381/370 |
| D644,213     | S *  | 8/2011  | Quek            | D14/223 |
| 7,991,180    | B2 * | 8/2011  | Moon            | 381/380 |
| D645,454     | S *  | 9/2011  | Quek            | D14/223 |
| D652,024     | S *  | 1/2012  | Quek            | D14/223 |
| D689,471     | S *  | 9/2013  | Hardi et al.    | D14/223 |
| D695,276     | S *  | 12/2013 | Chee            | D14/223 |
| D707,660     | S *  | 6/2014  | Yang            | D14/223 |
| D718,283     | S *  | 11/2014 | Thompson et al. | D14/223 |
| 2004/0170294 | A1 * | 9/2004  | Murozaki et al. | 381/379 |

\* cited by examiner

*Primary Examiner* — Paula Greene

(74) *Attorney, Agent, or Firm* — Nath, Goldberg & Meyer;  
Jerald L. Meyer; Tiffany A. Johnson

(57) **CLAIM**

The ornamental design for a portion of earphone, as shown and described.

**DESCRIPTION**

FIG. 1 is a perspective view of an portion of earphone showing our new design;

FIG. 2 is a front view thereof;

FIG. 3 is a rear view thereof;

FIG. 4 is a top plan view thereof;

FIG. 5 is a bottom plan view thereof;

FIG. 6 is a right side view thereof; and,

FIG. 7 is a left side view thereof.

The broken lines shown are included for the purpose of illustrating the unclaimed portions of the article and form no part of the claim.

**1 Claim, 6 Drawing Sheets**

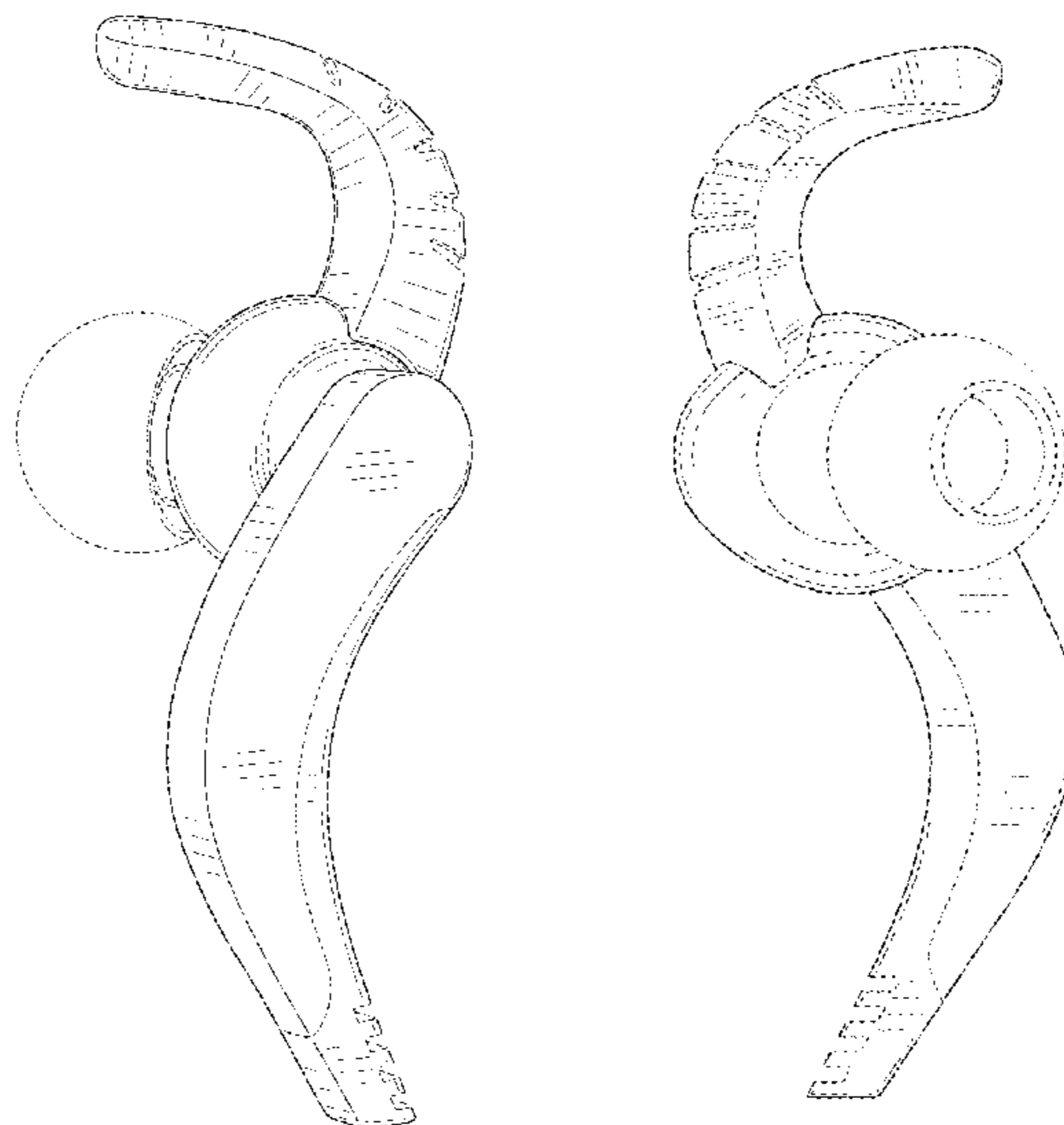


Fig. 1

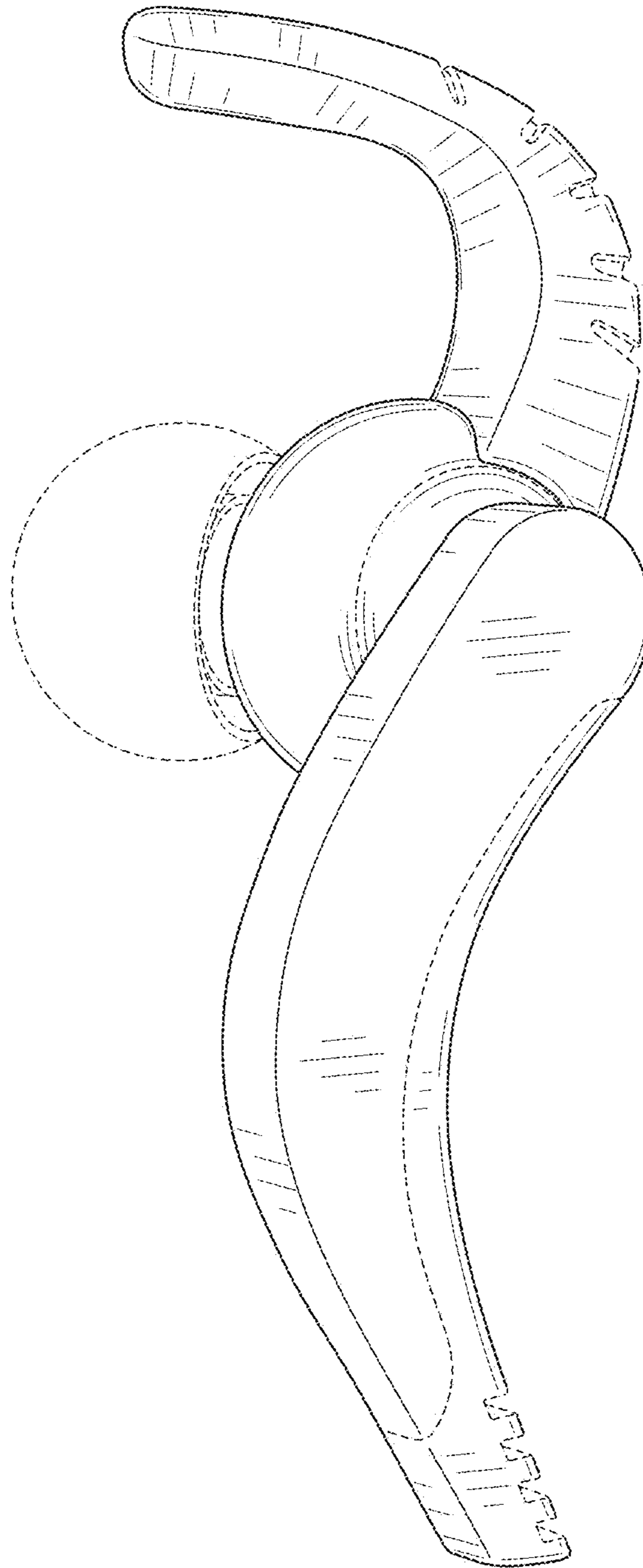


Fig.2

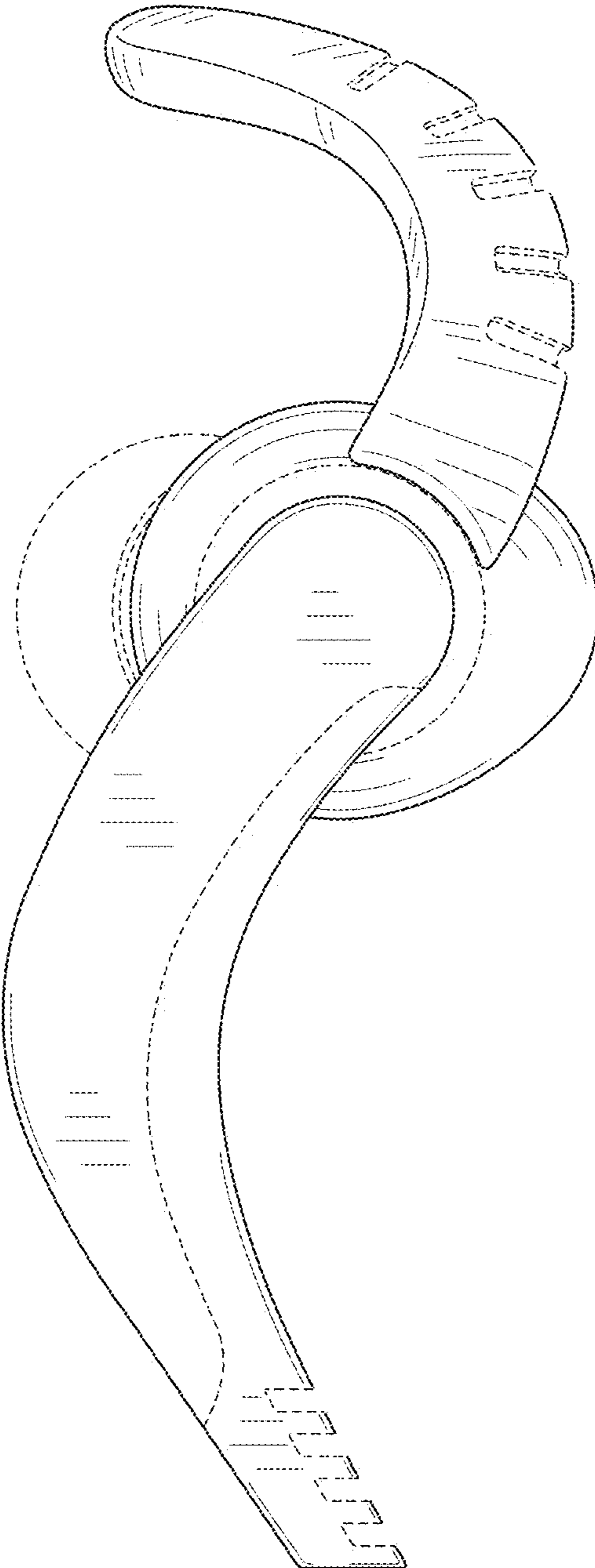


Fig.3

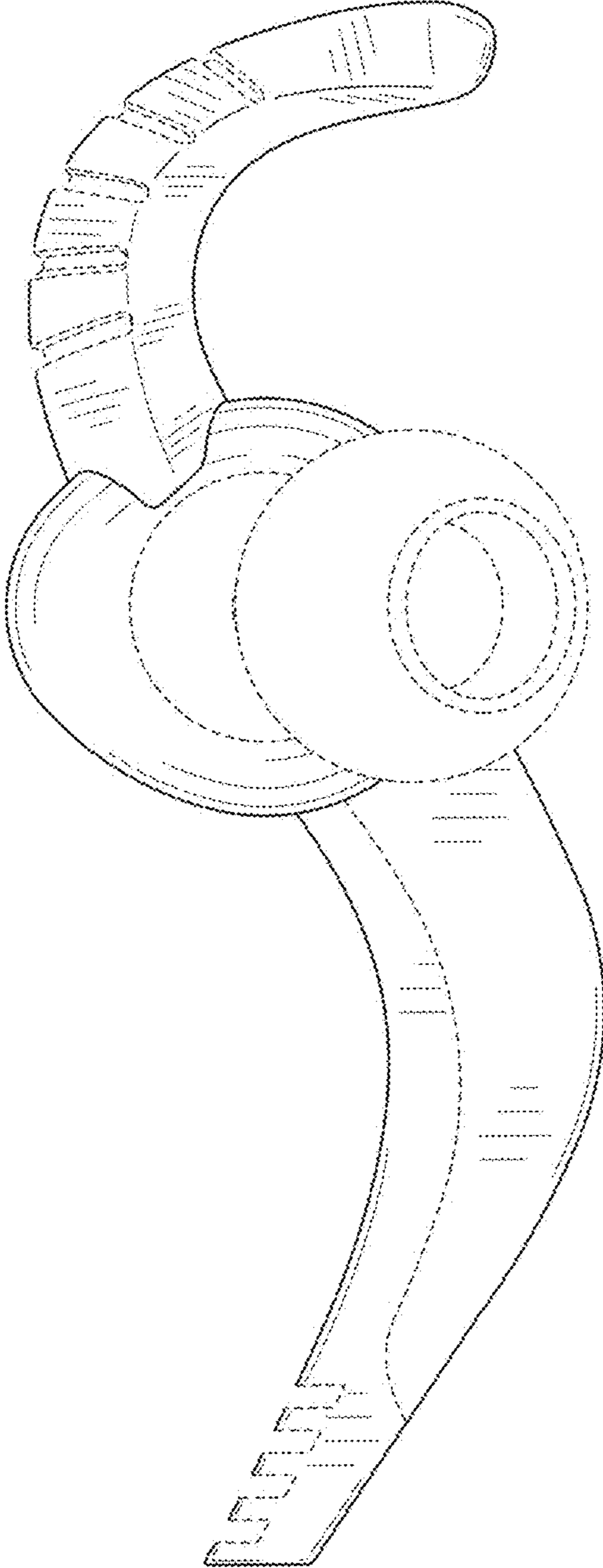


Fig.4

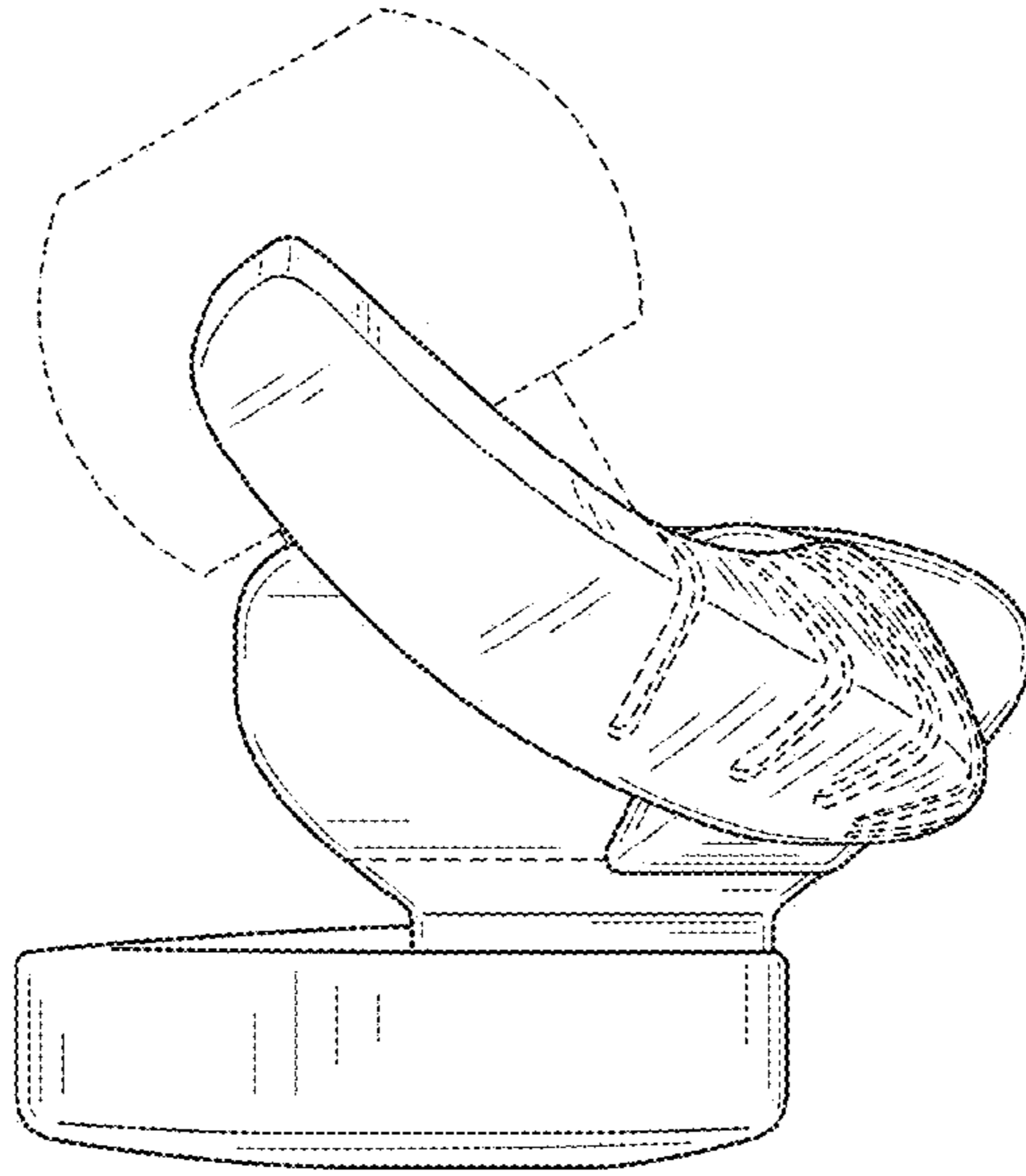


Fig.5

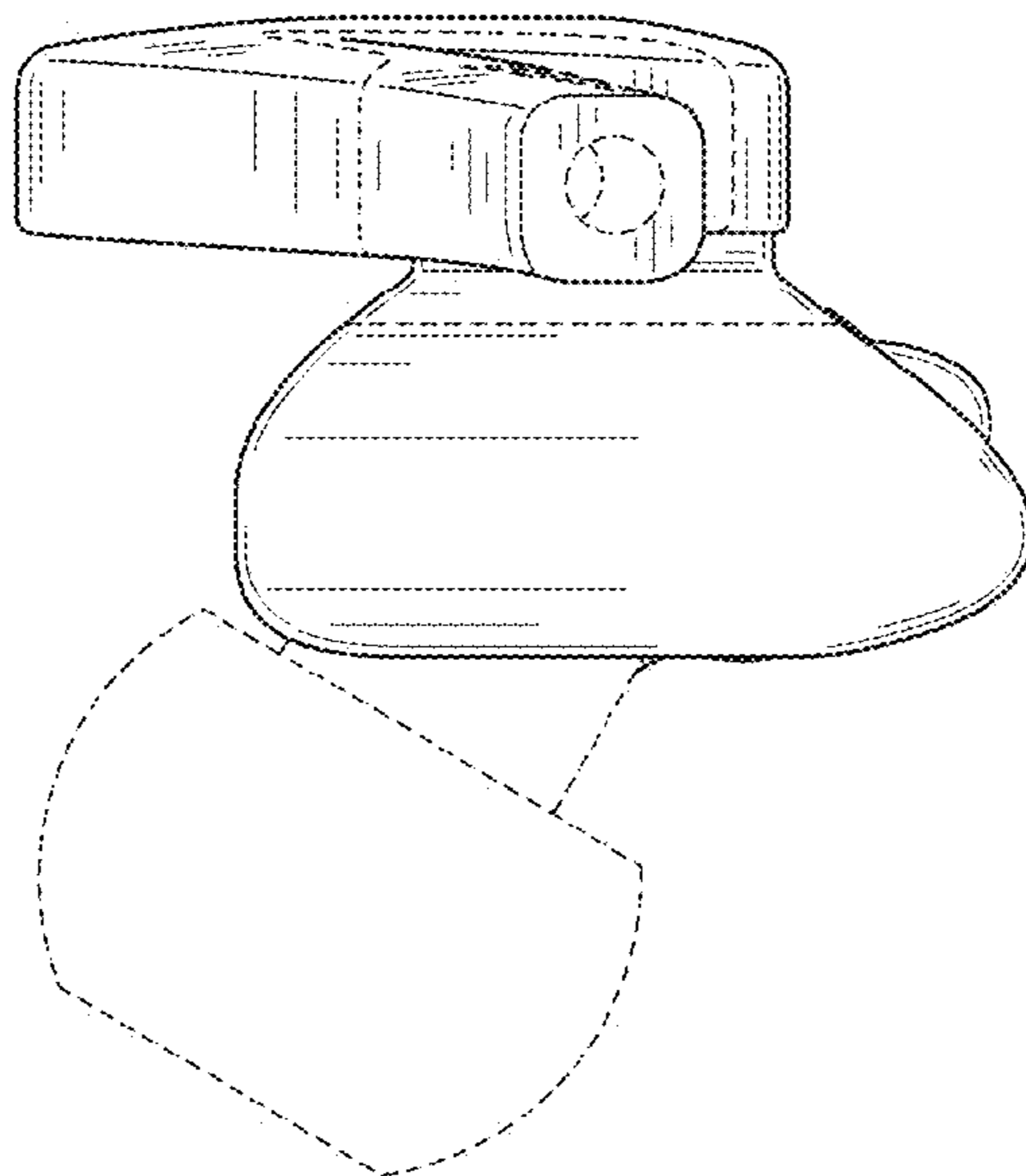


Fig.6

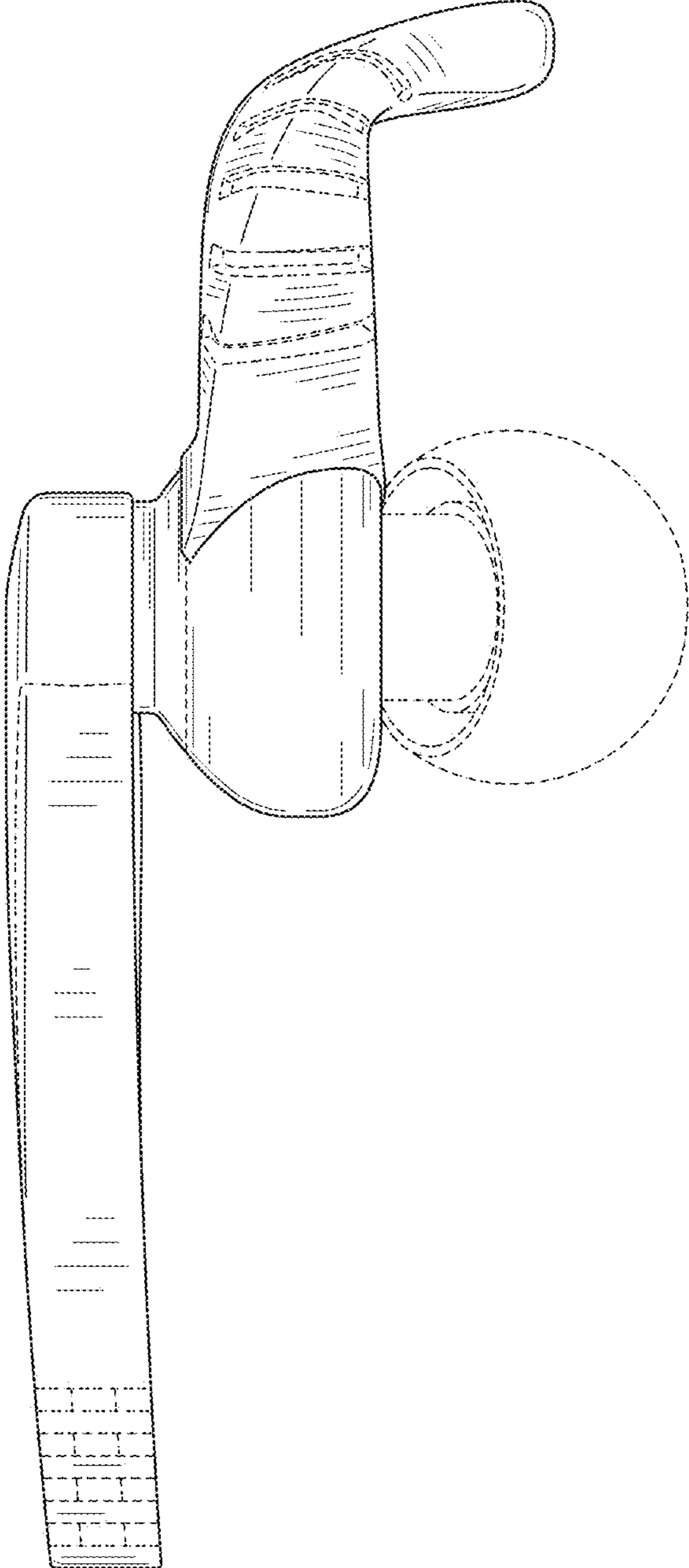


Fig.7

