

US00D734302S

(12) **United States Design Patent**
Won et al.

(10) **Patent No.:** **US D734,302 S**
(45) **Date of Patent:** **** Jul. 14, 2015**

(54) **REMOTE CONTROLLER**

(71) Applicant: **Samsung Electronics Co., Ltd.**,
Suwon-si (KR)

(72) Inventors: **Dong-Hee Won**, Seoul (KR); **Kyu-Bok Lee**, Seoul (KR); **Min-Hee Lee**, Seoul (KR)

(73) Assignee: **Samsung Electronics Co., Ltd.**,
Suwon-si (KR)

(**) Term: **14 Years**

(21) Appl. No.: **29/460,343**

(22) Filed: **Jul. 10, 2013**

(30) **Foreign Application Priority Data**

Jan. 14, 2013 (KR) 30-2013-0002236

(51) **LOC (10) Cl.** **14-03**

(52) **U.S. Cl.**
USPC **D14/218**

(58) **Field of Classification Search**
USPC D13/168; D14/138 G, 138 AA, 138 AB,
D14/218, 240, 341, 440, 455, 487;
D10/104, 106; 348/734; 340/825.24;
341/22; 455/92, 95, 128, 151.1-151.4;
D21/355; D32/50, 51
See application file for complete search history.

(56) **References Cited**

U.S. PATENT DOCUMENTS

D370,663 S * 6/1996 Swain et al. D13/168
D410,468 S * 6/1999 Kazama D14/218
D558,757 S * 1/2008 Andre et al. D14/341
D621,372 S * 8/2010 Won et al. D13/168
D622,710 S * 8/2010 Goransson D14/240
D625,276 S * 10/2010 Won et al. D13/168
D641,342 S * 7/2011 Chang D14/240
D647,883 S * 11/2011 Kim et al. D14/218

D664,946 S * 8/2012 Morris et al. D14/218
D666,561 S * 9/2012 Sun et al. D13/168
D670,659 S * 11/2012 Ishikawa et al. D13/168

(Continued)

FOREIGN PATENT DOCUMENTS

JP D1397418 * 9/2010
JP D1450649 * 9/2012

OTHER PUBLICATIONS

ScanDisk V-Mate—Operation, announced Oct. 9, 2007 [Online]
[Site Visited Sep. 16, 2014]http://www.letsgomobile.org/en/review/
0025/sandisk-vmate/page2/4].*

(Continued)

Primary Examiner — Eric Goodman

Assistant Examiner — Luqman McNeil

(74) *Attorney, Agent, or Firm* — NSIP Law

(57) **CLAIM**

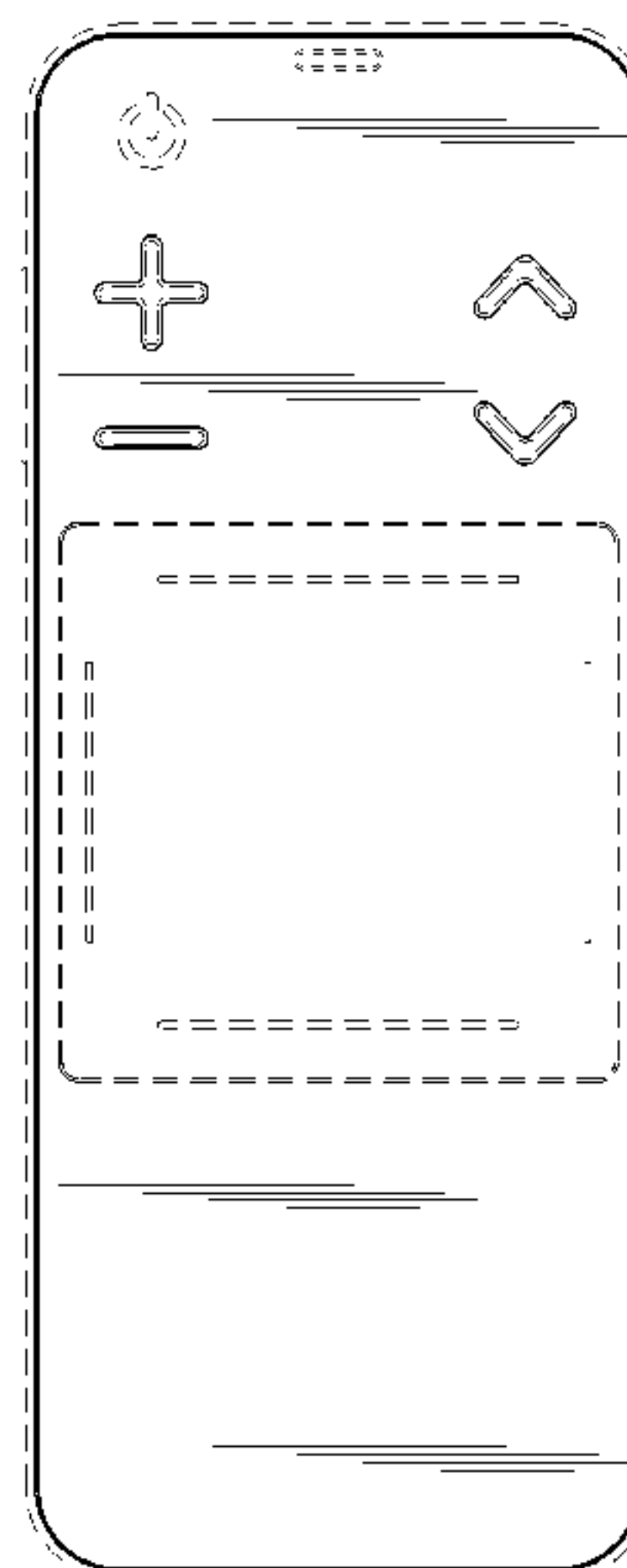
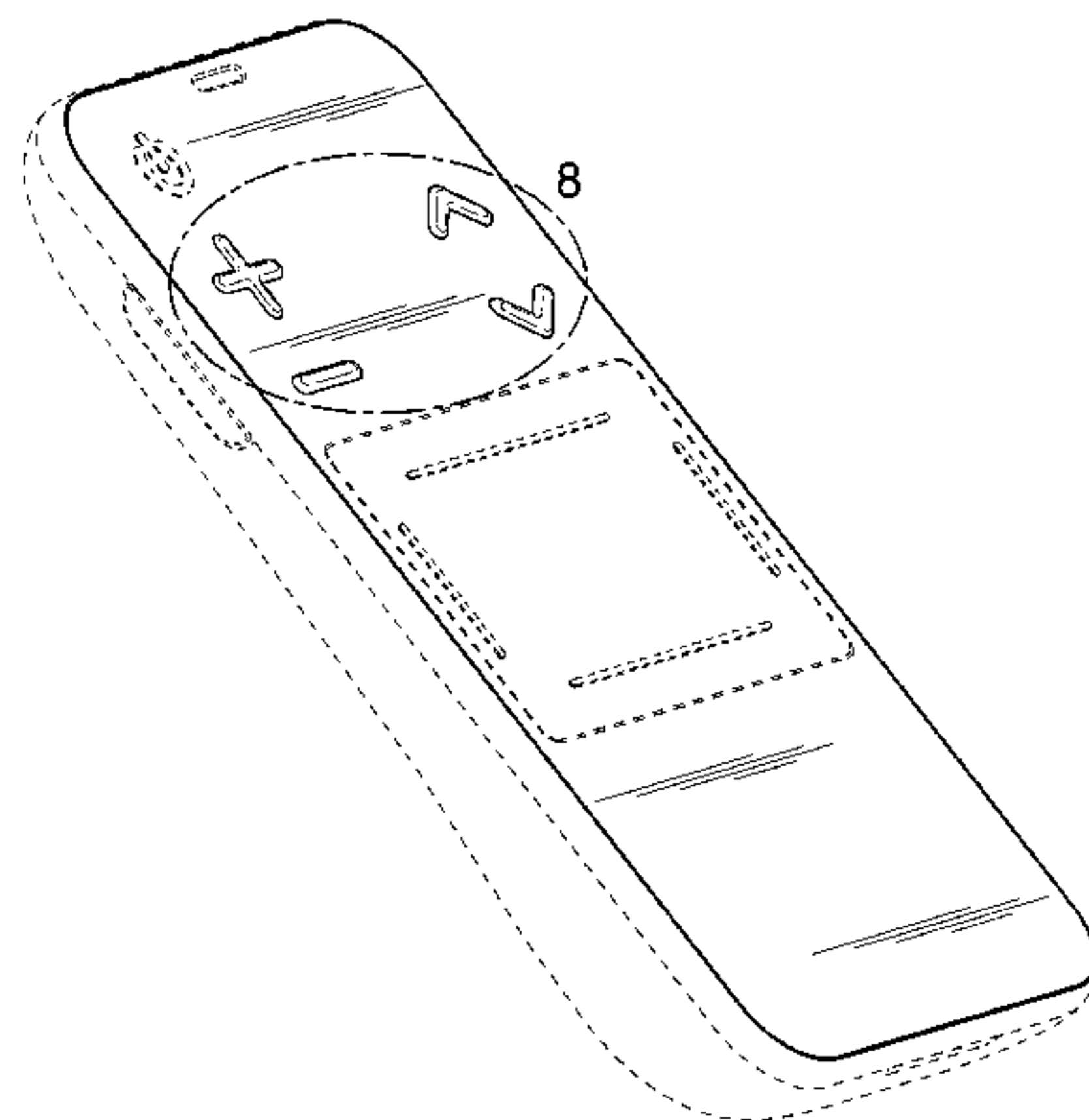
The ornamental design for a remote controller, as shown and described.

DESCRIPTION

FIG. 1 is a front perspective view of a remote controller, showing our new design;
FIG. 2 is a front view thereof;
FIG. 3 is a rear view thereof;
FIG. 4 is a left-side view thereof;
FIG. 5 is a right-side view thereof;
FIG. 6 is a top plan view thereof;
FIG. 7 is a bottom plan view thereof; and,
FIG. 8 is an enlarged view of the encircled portion 8 as shown in FIG. 1.

The broken lines are for environmental purpose only and form no part of the claimed design. The shade lines in the figures show contour and not surface ornamentation.

1 Claim, 6 Drawing Sheets



(56)

References Cited

U.S. PATENT DOCUMENTS

D672,753	S	*	12/2012	Kadivar et al.	D14/218
D673,138	S	*	12/2012	Kim et al.	D14/218
D678,218	S	*	3/2013	Sheen	D13/168
D688,214	S	*	8/2013	Ducret et al.	D13/168
D695,716	S	*	12/2013	Cleo	D14/218
D710,313	S	*	8/2014	Charleux	D13/168
D710,828	S	*	8/2014	Liu et al.	D14/218

OTHER PUBLICATIONS

“SeKi Easy Plus” learning universal remote control for kids and seniors large buttons Jan. 16, 2011 [Online] [Site Visited Sep. 16, 2014]<http://remotes-store.eu/en/universal-remote-controls/789-seki-easy-plus-learning-universal-remote-control-for-kids-and-seniors-large-buttons.html>.*

* cited by examiner

FIG. 1

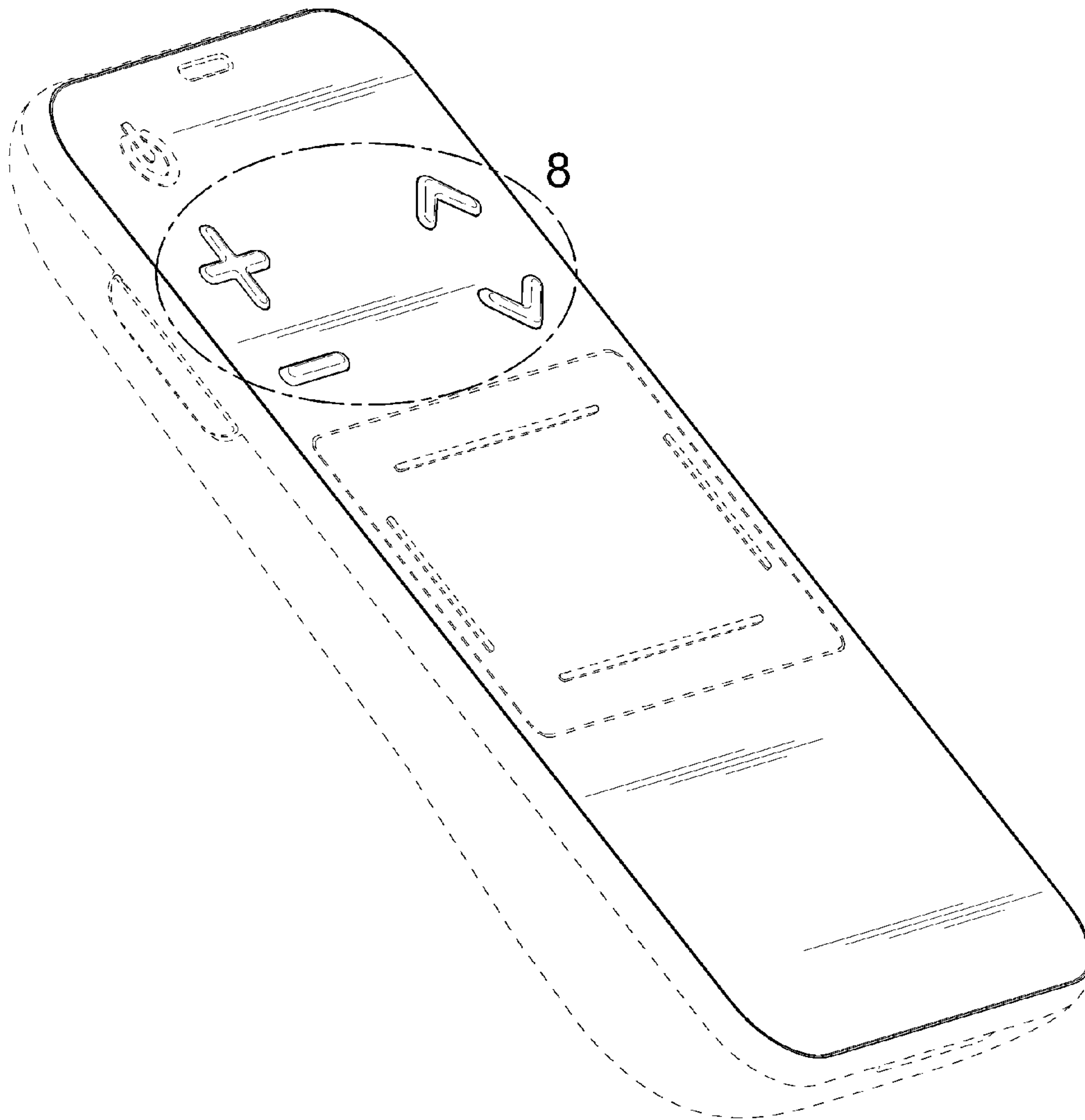


FIG. 2

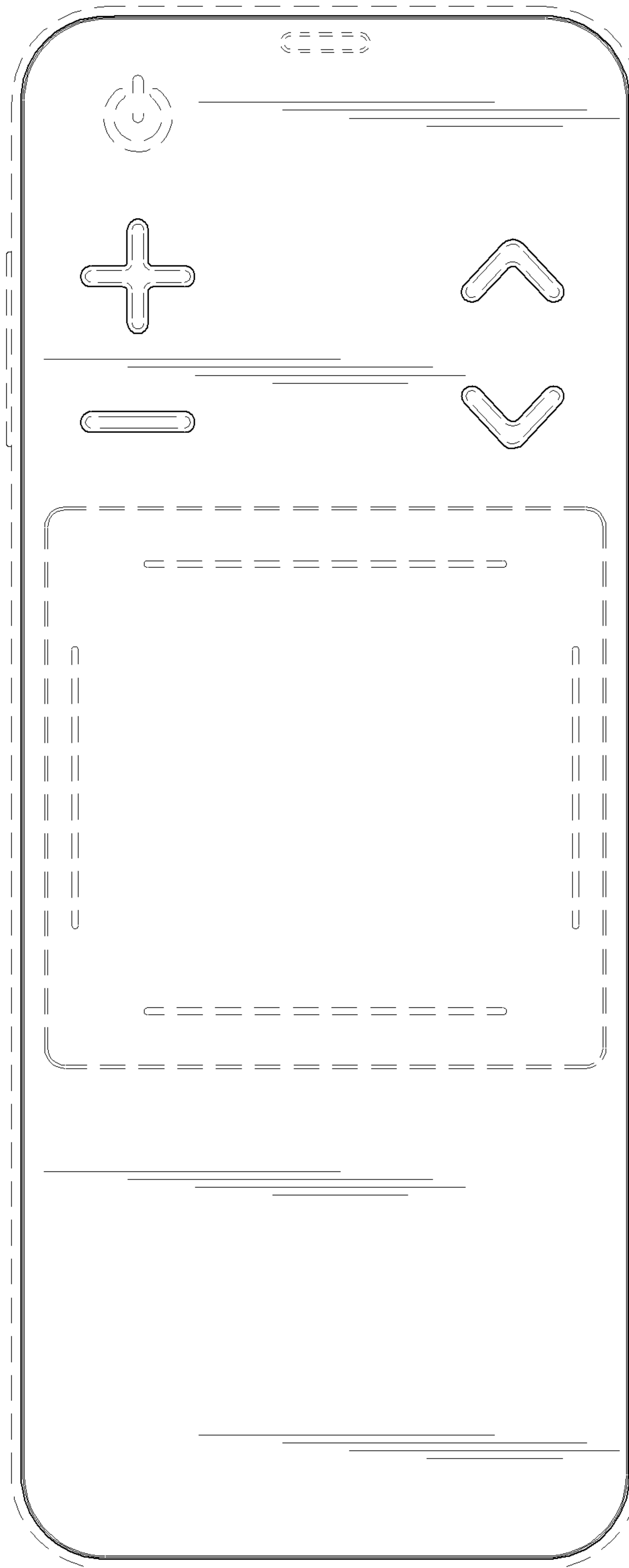


FIG. 3



FIG. 4

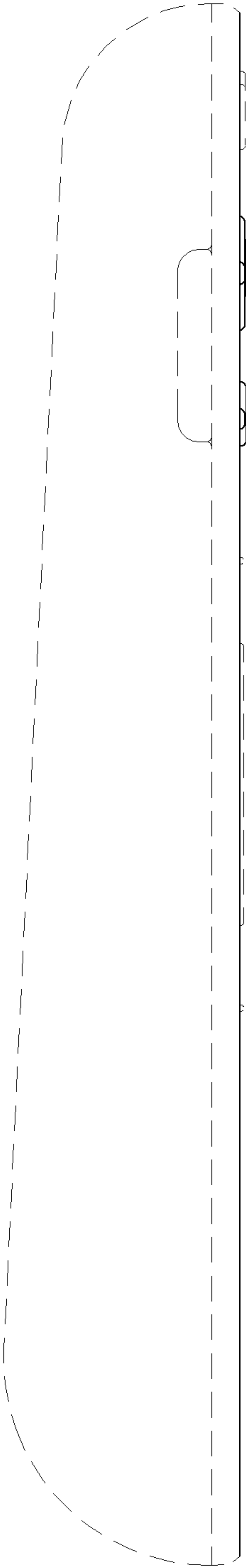


FIG. 5

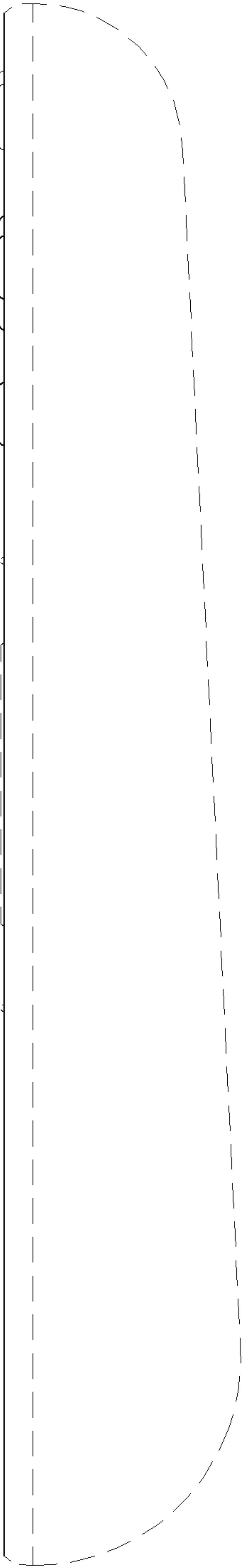


FIG. 6

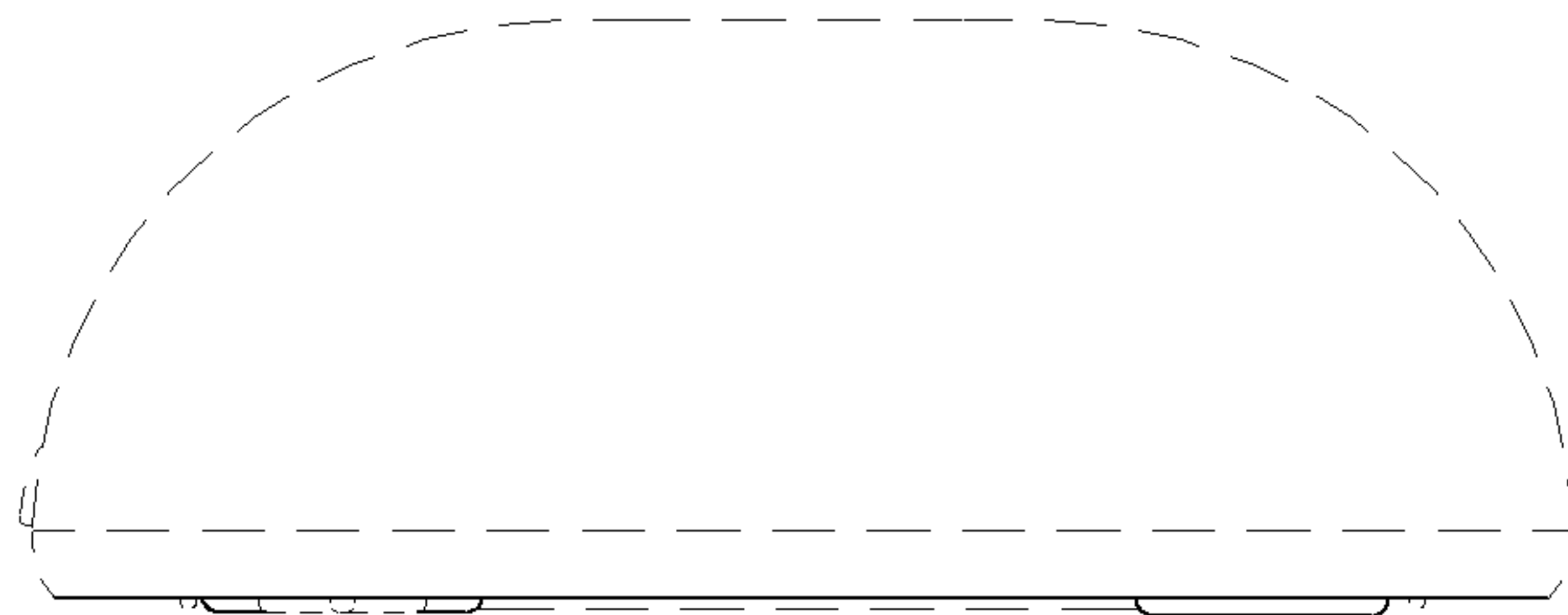


FIG. 7

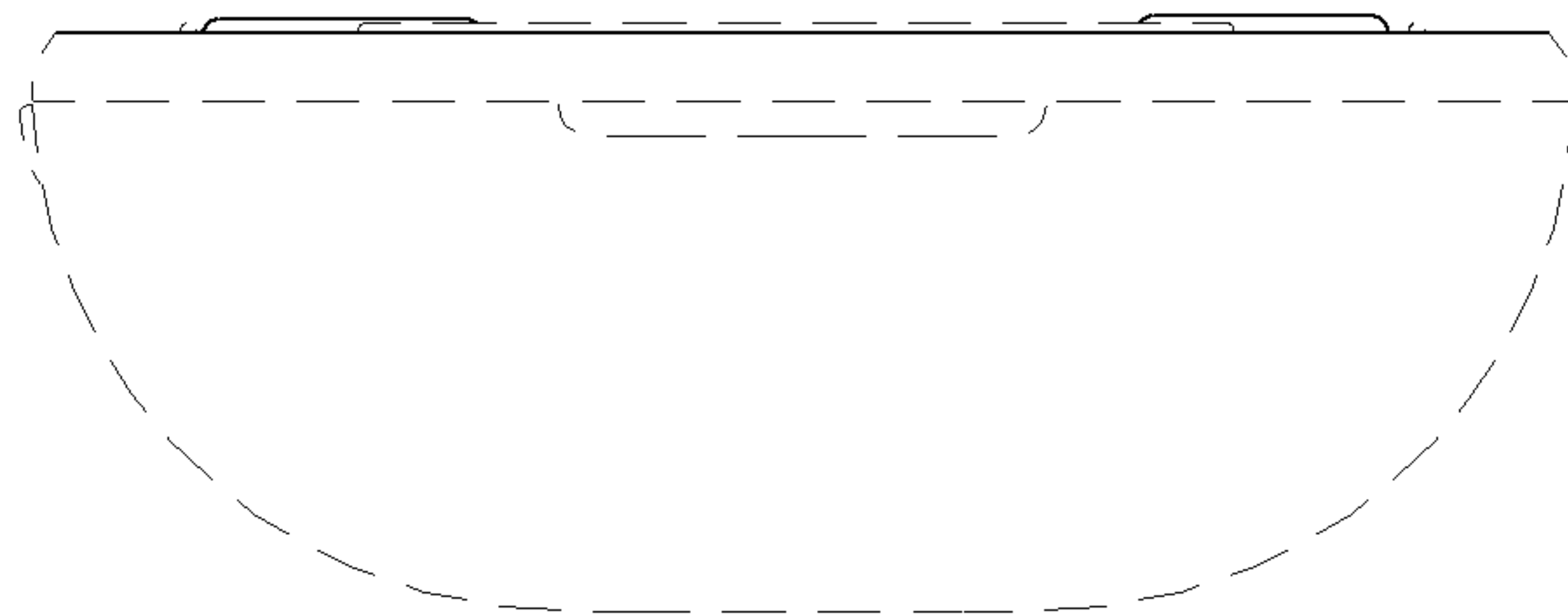


FIG. 8

