



US00D734298S

(12) **United States Design Patent**  
**Tatkon-Coker et al.**

(10) **Patent No.:** **US D734,298 S**  
(45) **Date of Patent:** **\*\* Jul. 14, 2015**

(54) **HEADPHONE MICROPHONE BOOM**

(71) Applicant: **Apple Inc.**, Cupertino, CA (US)

(72) Inventors: **Jonathan Louis Tatkon-Coker**, Santa Monica, CA (US); **Eric Treski**, Culver City, CA (US)

(73) Assignee: **Apple Inc.**, Cupertino, CA (US)

(\*\*) Term: **14 Years**

(21) Appl. No.: **29/493,422**

(22) Filed: **Jun. 9, 2014**

(51) **LOC (10) Cl.** ..... **14-01**

(52) **U.S. Cl.**  
USPC ..... **D14/206**; D14/225

(58) **Field of Classification Search**  
USPC ..... D14/225, 206, 217, 226, 221, 228, 137, D14/240, 132; 379/430, 431, 433.02, 379/420.03; 381/380, 381, 375, 355, 357, 381/163, 161, 122, 364, 362, 366, 368; 24/3.11, 511; D21/482; 466/120, 122, 466/126; 403/169; D8/382; 455/550.1  
CPC ..... H04R 25/00  
See application file for complete search history.

(56) **References Cited**

U.S. PATENT DOCUMENTS

2,353,070	A *	7/1944	Pitkin, Jr.	379/430
3,148,539	A *	9/1964	Cook	73/804
3,184,556	A *	5/1965	Larkin	379/430
3,280,273	A *	10/1966	Flygstad et al.	379/430
4,118,606	A *	10/1978	Larkin	379/430
4,273,969	A *	6/1981	Foley et al.	379/430
D278,625	S *	4/1985	Mathiasen	D14/228
D296,435	S *	6/1988	Kubota	D14/228
D309,306	S *	7/1990	Weiser et al.	D14/249
5,015,116	A *	5/1991	Nardone et al.	403/28
D333,137	S *	2/1993	Burke	D14/206

5,369,857	A *	12/1994	Sacherman et al.	29/594
D366,045	S *	1/1996	Hirschhorn	D14/228
5,615,273	A *	3/1997	Lucey et al.	381/361
D379,990	S *	6/1997	Bungardt et al.	D14/228
D396,715	S *	8/1998	Konomi	D14/142
6,016,347	A *	1/2000	Magnasco et al.	379/430
6,097,827	A *	8/2000	Yang	381/375
D447,472	S *	9/2001	McGugan	D14/225
6,333,984	B1 *	12/2001	Yang	381/364
D463,399	S *	9/2002	Konomi	D14/206
6,560,346	B2 *	5/2003	Ohta et al.	381/382
D478,579	S *	8/2003	Sade	D14/240
D481,110	S *	10/2003	Snyder et al.	D23/263
6,728,374	B1 *	4/2004	Takeda	379/433.02
7,103,392	B2 *	9/2006	Fletcher et al.	455/569.1
D620,482	S *	7/2010	Chen	D14/225
7,778,435	B2 *	8/2010	Smith et al.	381/380
D677,648	S *	3/2013	Lee et al.	D14/206

\* cited by examiner

*Primary Examiner* — Paula Greene

(74) *Attorney, Agent, or Firm* — Sterne, Kessler, Goldstein & Fox P.L.L.C.

(57) **CLAIM**

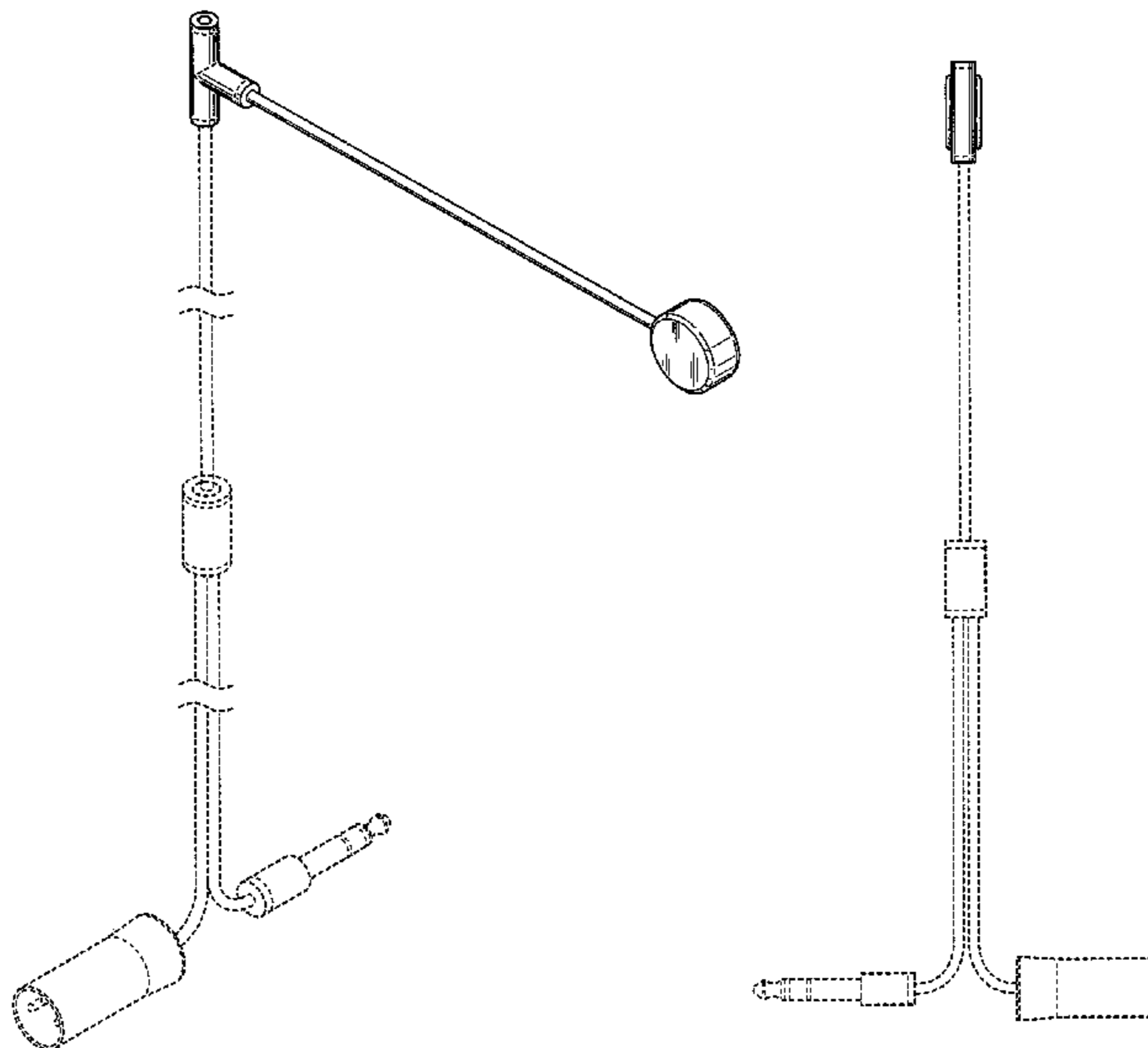
The ornamental design for a headphone microphone boom, as shown and described.

**DESCRIPTION**

FIG. 1 is a top perspective view of a headphone microphone boom in accordance with the present invention;  
FIG. 2 is a front view thereof;  
FIG. 3 is a rear view thereof;  
FIG. 4 is a right side view thereof;  
FIG. 5 is a left side view thereof;  
FIG. 6 is a top view thereof; and,  
FIG. 7 is a bottom view thereof.

The broken lines in the figures show portions of the headphone microphone boom or environment that form no part of the claimed design.

**1 Claim, 5 Drawing Sheets**



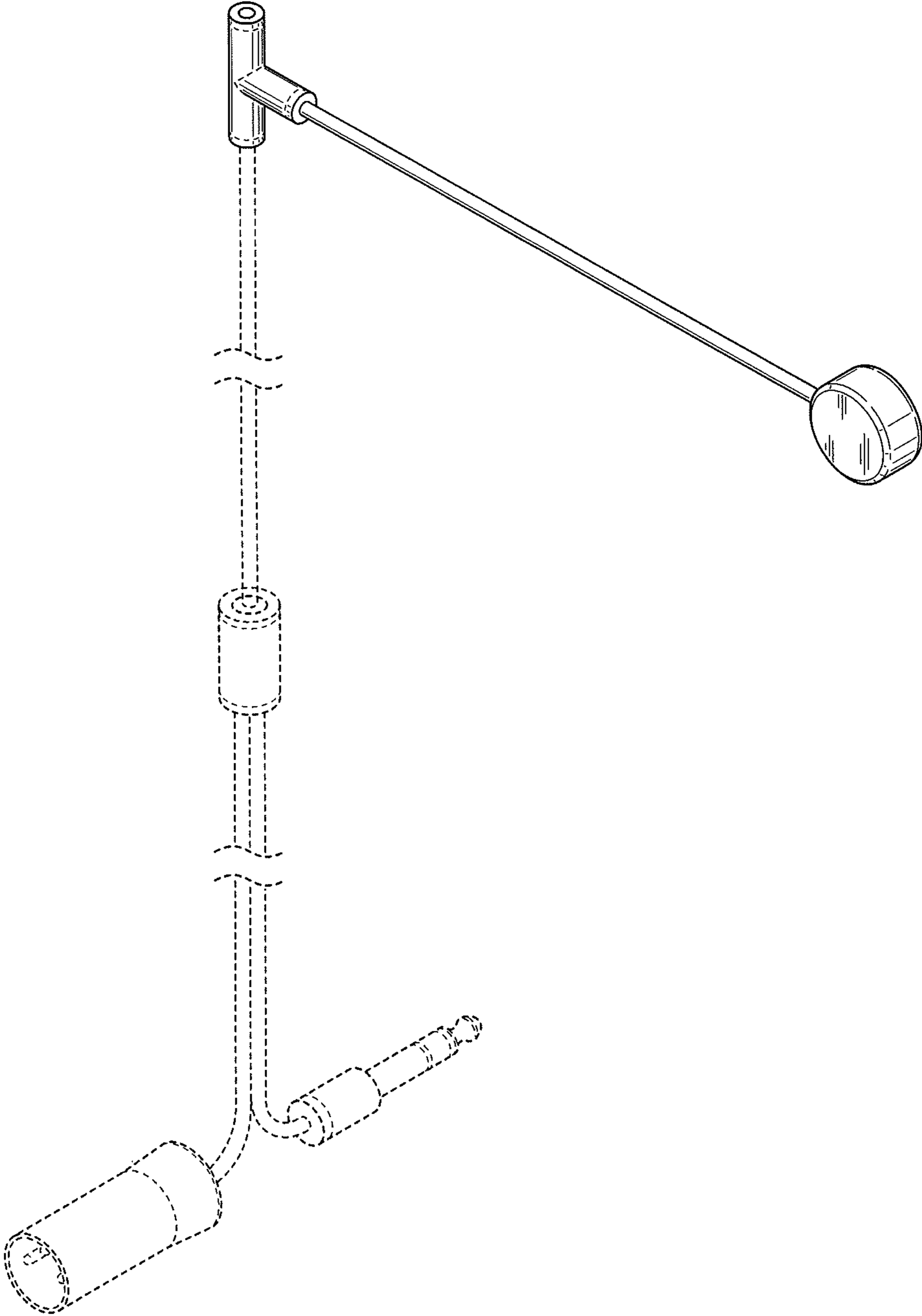


FIG. 1

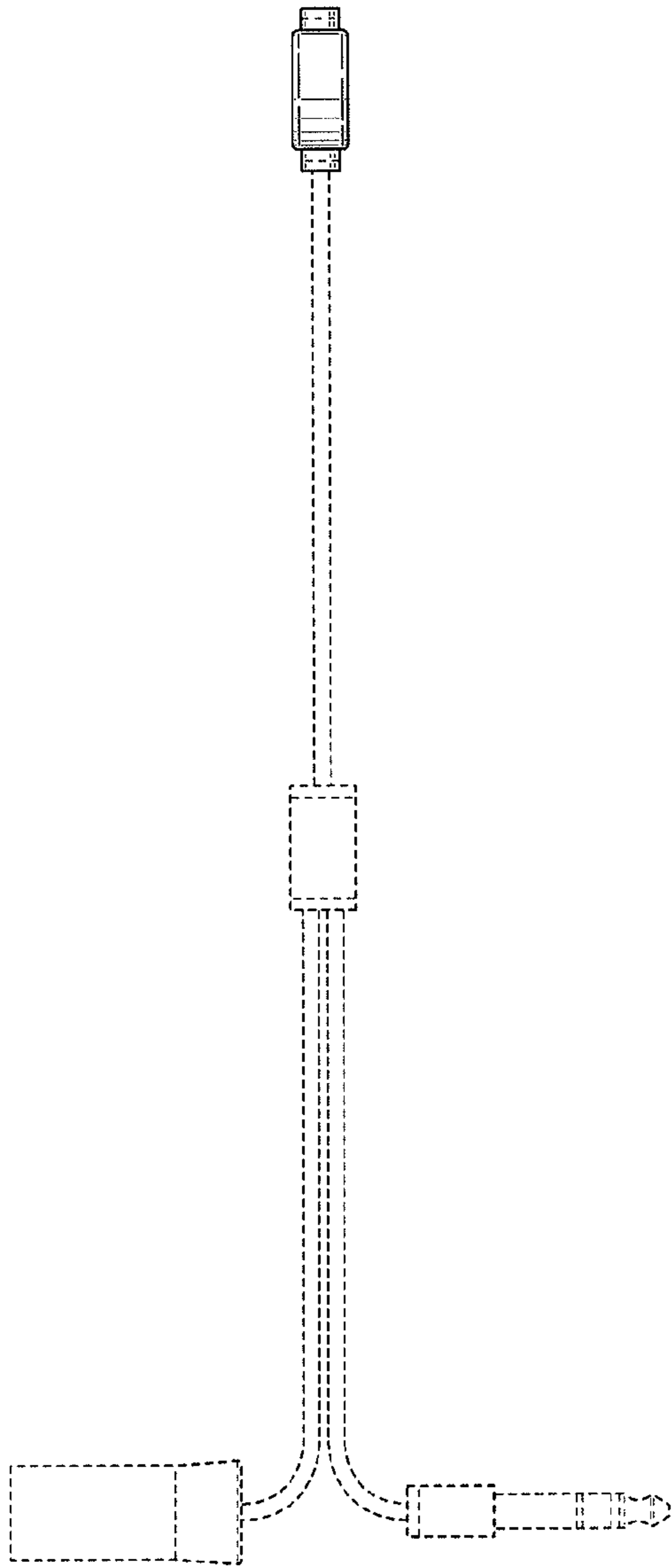


FIG. 2

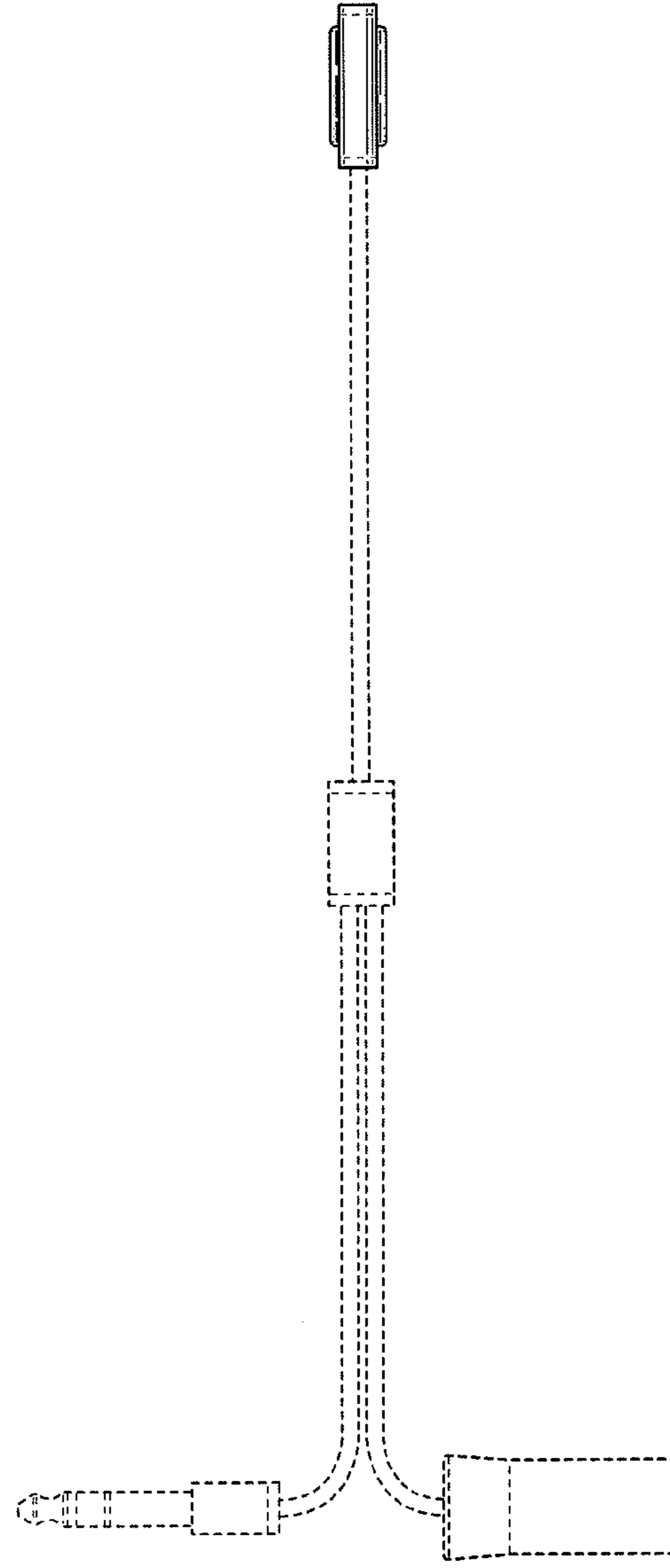


FIG. 3

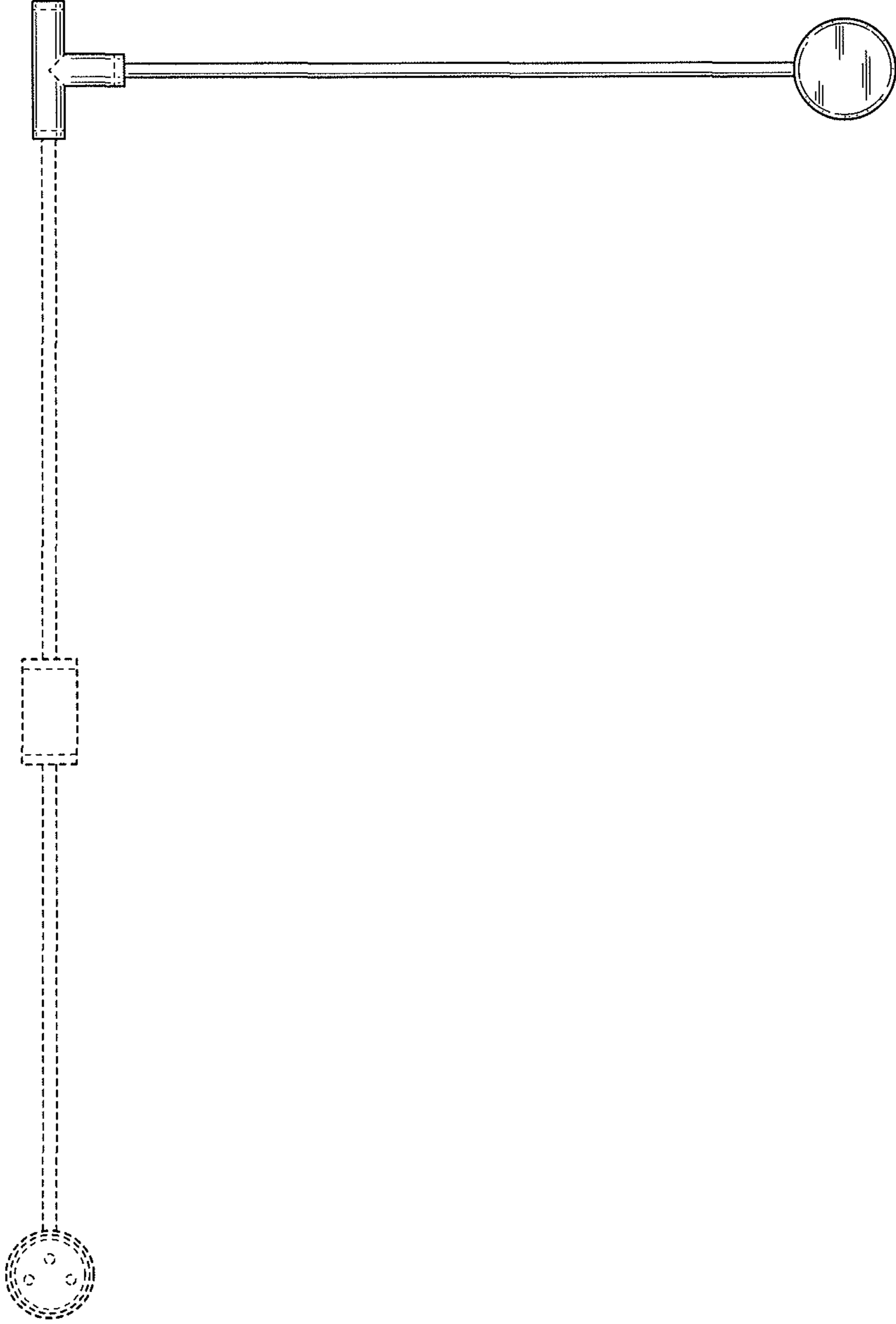


FIG. 4

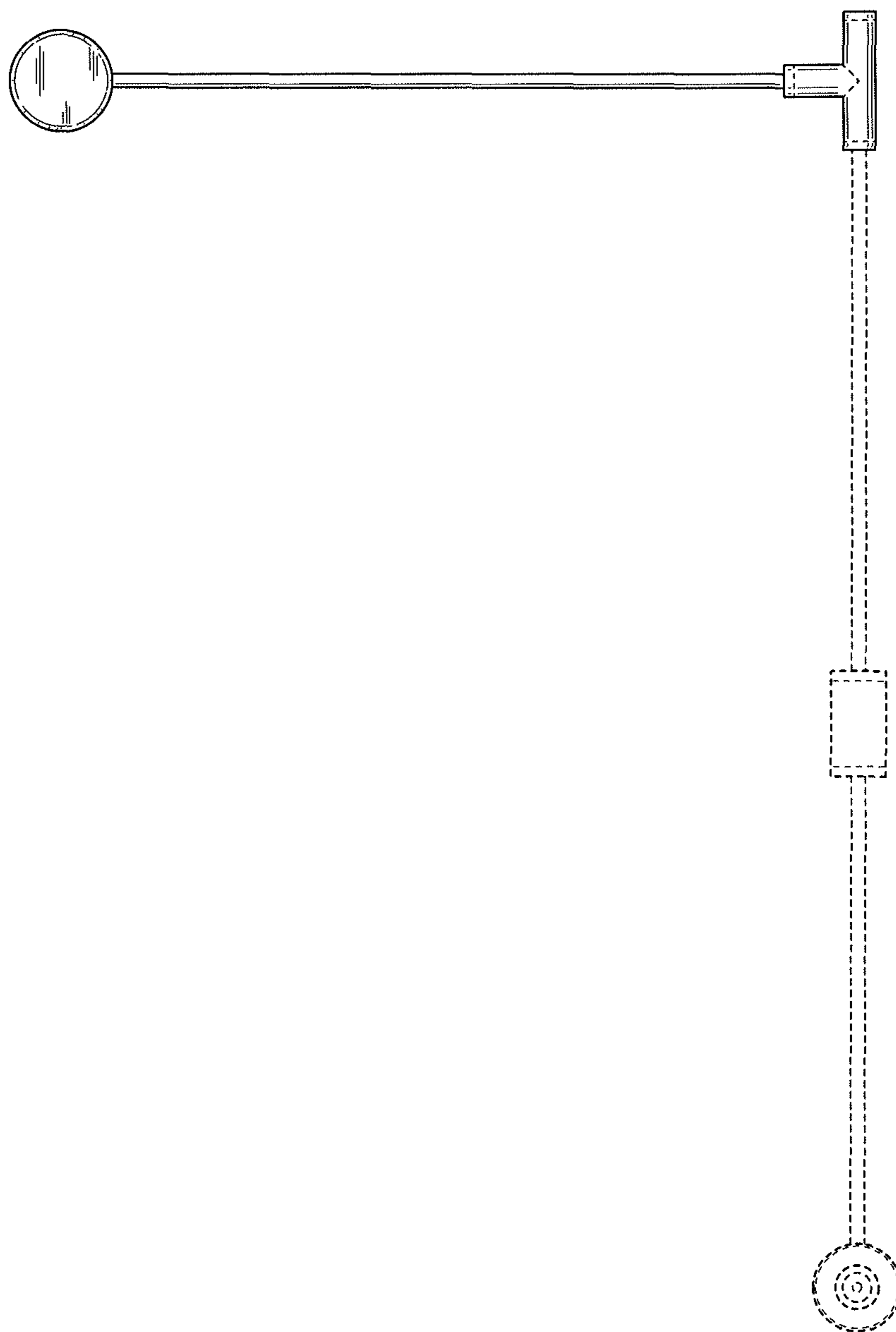


FIG. 5

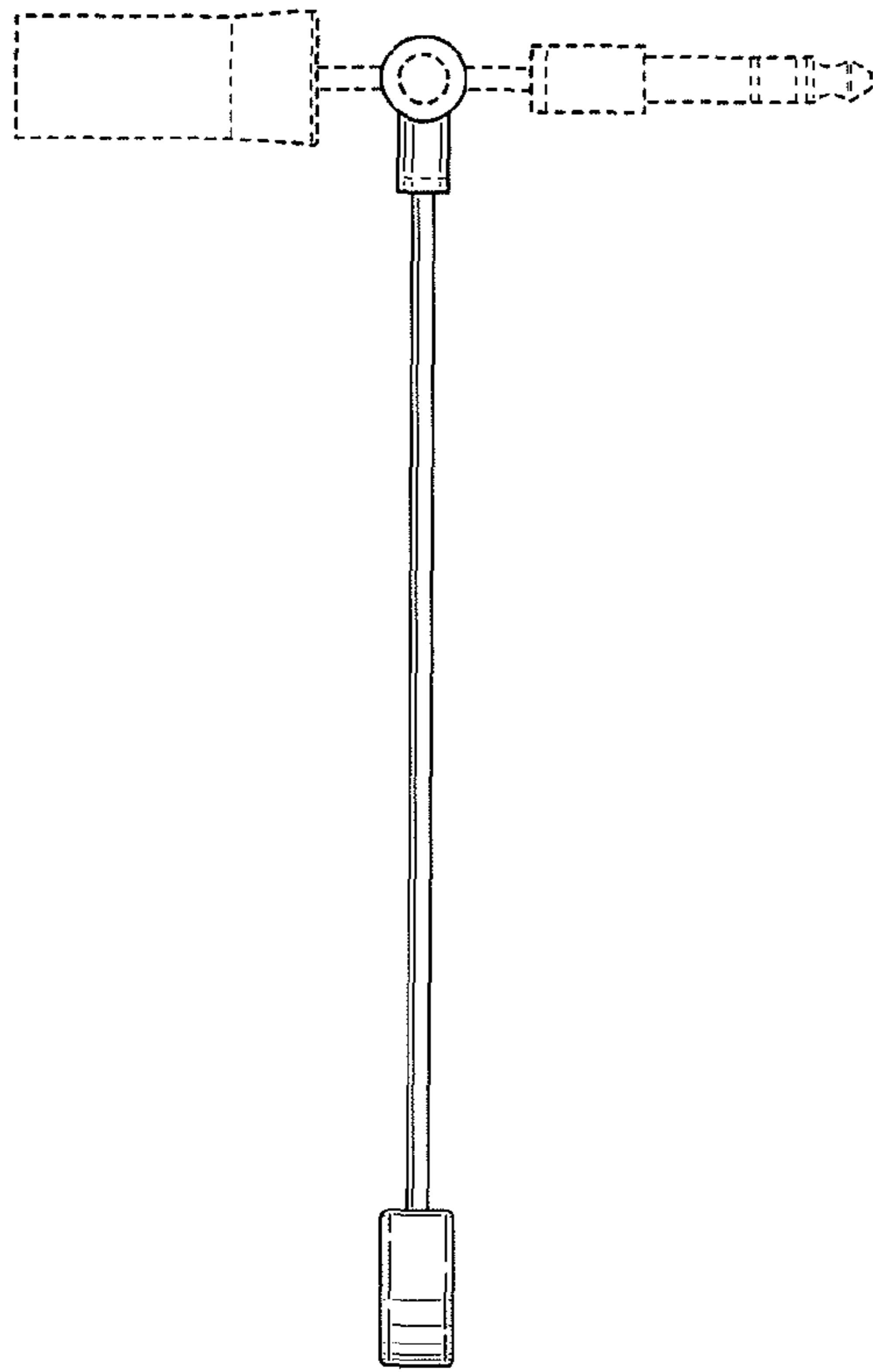


FIG. 6

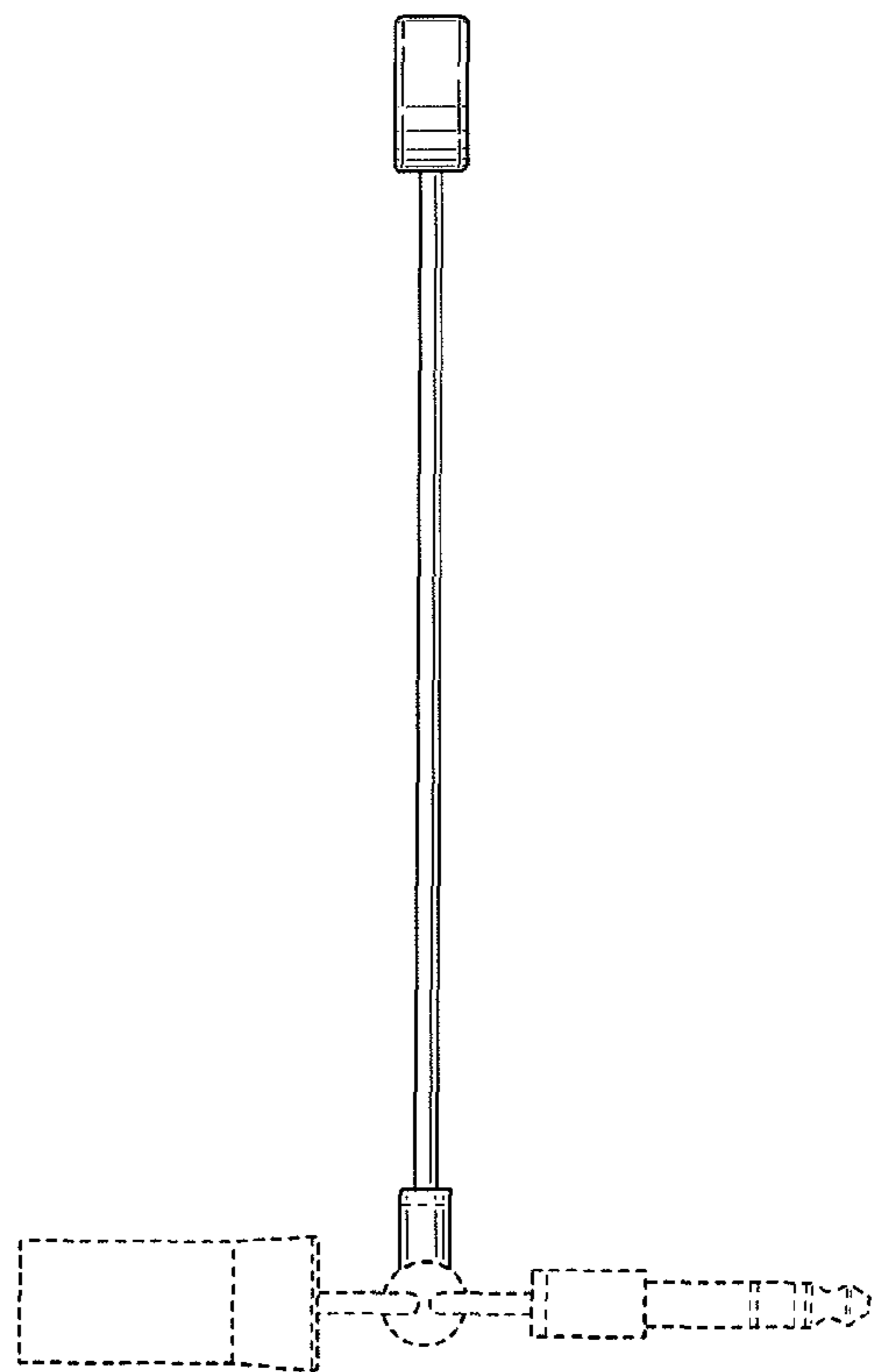


FIG. 7